



US00D446216S

(12) **United States Design Patent**
Alo et al.

(10) **Patent No.:** **US D446,216 S**

(45) **Date of Patent:** **** Aug. 7, 2001**

(54) **SLIM DISK DRIVE TRAY BEZEL**

(75) Inventors: **Roland Alo**, Cary; **Brian Hargrove Leonard**, Durham; **Eric Thomas Gamble**; **Edward McNulty**, both of Raleigh, all of NC (US)

(73) Assignee: **International Business Machines Corporation**, Armonk, NY (US)

(*) Notice: This patent is subject to a terminal disclaimer.

(**) Term: **14 Years**

(21) Appl. No.: **29/122,278**

(22) Filed: **Apr. 24, 2000**

Related U.S. Application Data

(63) Continuation-in-part of application No. 29/094,146, filed on Sep. 24, 1998, now Pat. No. Des. 423,479.

(51) **LOC (7) Cl.** **14-02**

(52) **U.S. Cl.** **D14/442**

(58) **Field of Search** D14/313, 367, D14/432, 442; D13/162, 184, 199; 360/99.01, 99.12; 361/690-696, 685; 369/34, 36

(56) **References Cited**

U.S. PATENT DOCUMENTS

D. 358,141 * 5/1995 Pecone et al. D14/367

D. 383,736 * 9/1997 Corrington et al. D14/367
D. 397,098 * 8/1998 Laituri et al. D14/442
D. 423,479 * 4/2000 Alo et al. D14/432
D. 434,774 * 12/2000 Alo et al. D14/442
4,754,397 * 6/1988 Varaiya et al. 361/685
4,941,841 * 7/1990 Darden et al. 361/685

* cited by examiner

Primary Examiner—Freda Nunn

(74) *Attorney, Agent, or Firm*—Martin J. McKinley; Bracewell & Patterson, LLP

(57) **CLAIM**

The ornamental design for a slim disk drive tray bezel, as shown and described.

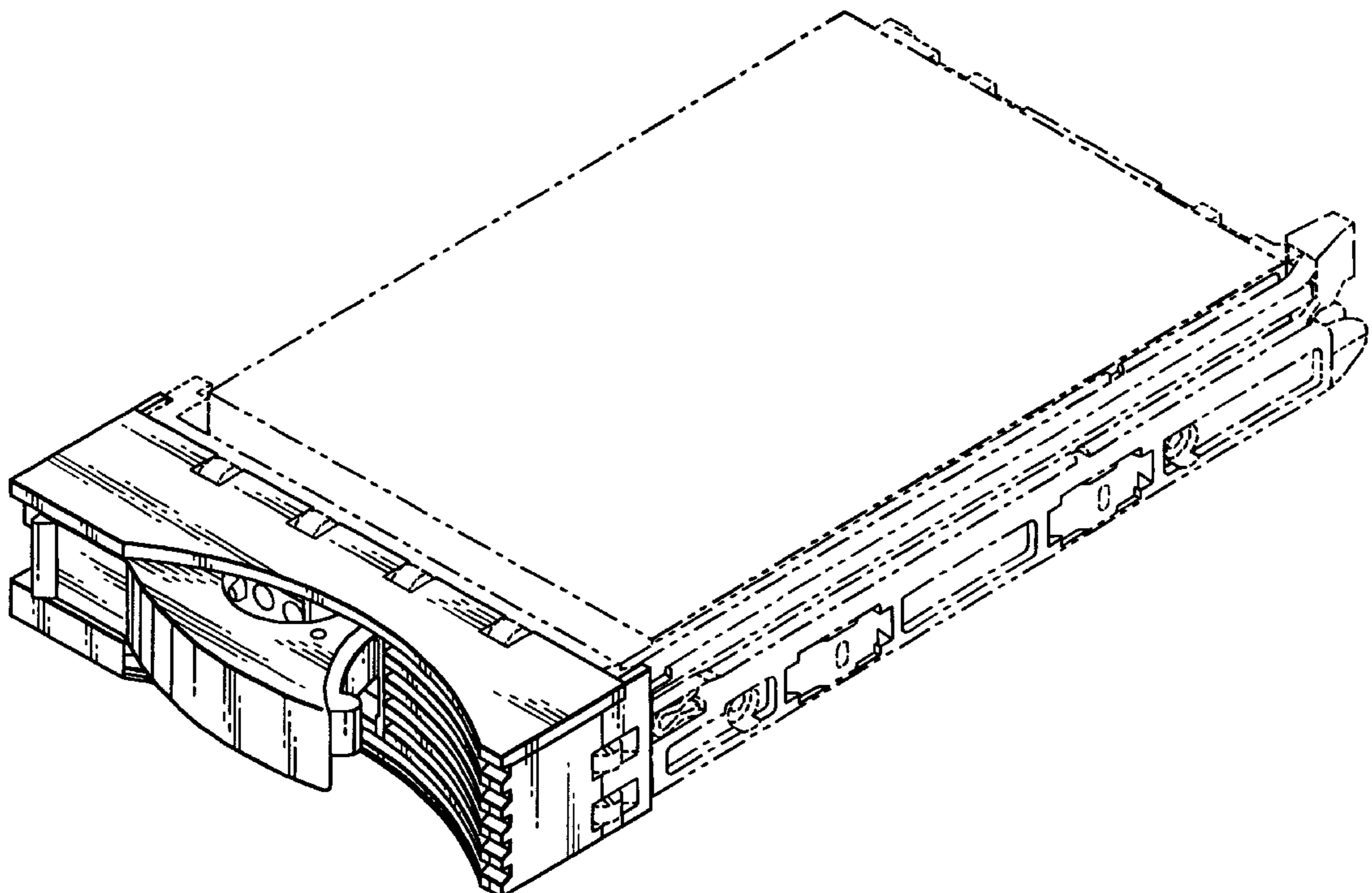
DESCRIPTION

FIG. 1 is a top front and left side perspective view of the slim disk drive tray bezel showing our new design, and a tray and spring contacts depicted in broken lines for illustrative purposes only which form no part of the claimed design; and,

FIG. 2 is a top front and right side perspective view thereof.

The areas of the tray which have not been completely disclosed in FIG. 1 and FIG. 2 are understood not to be part of the claimed design.

1 Claim, 2 Drawing Sheets



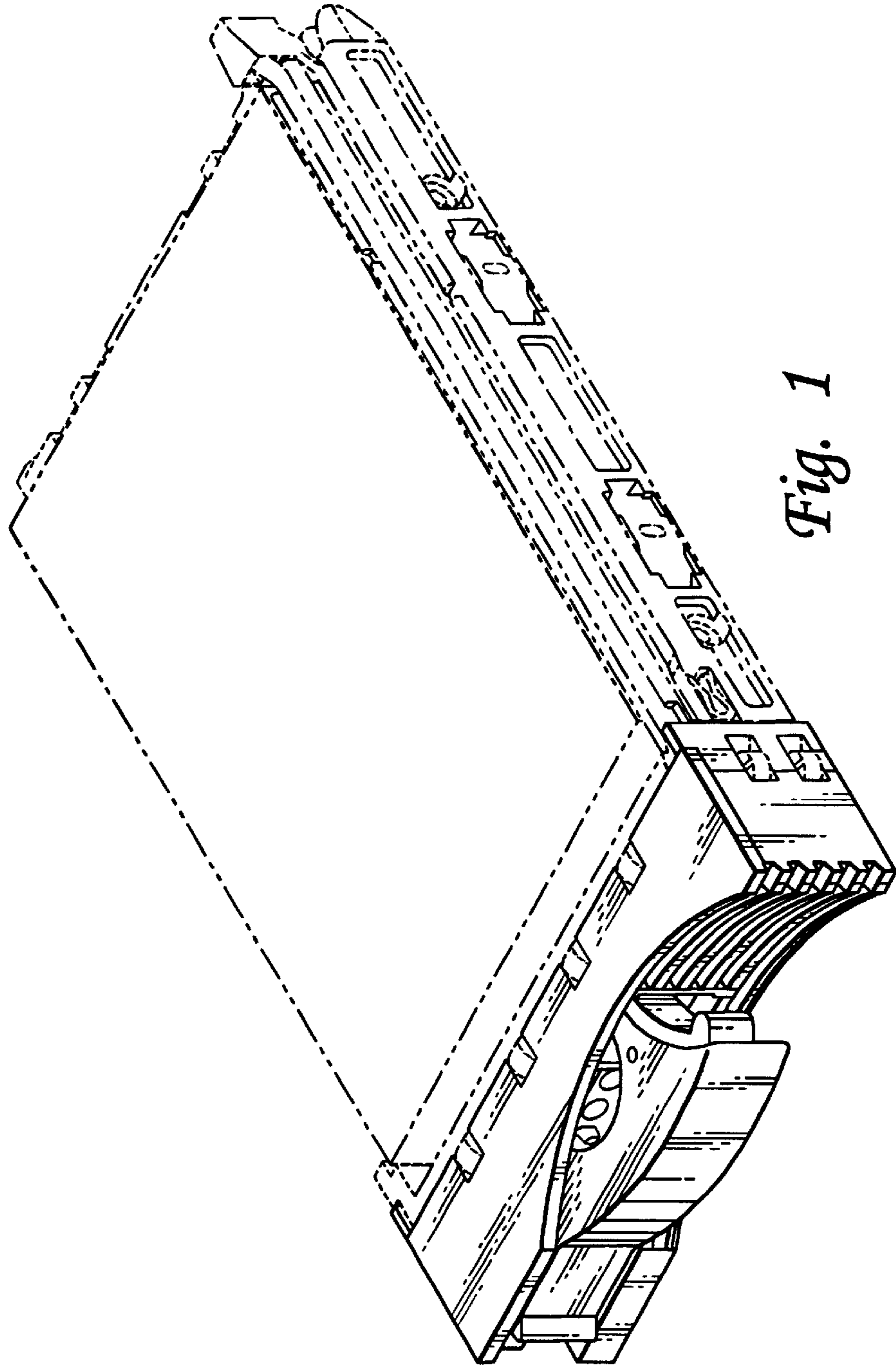


Fig. 1

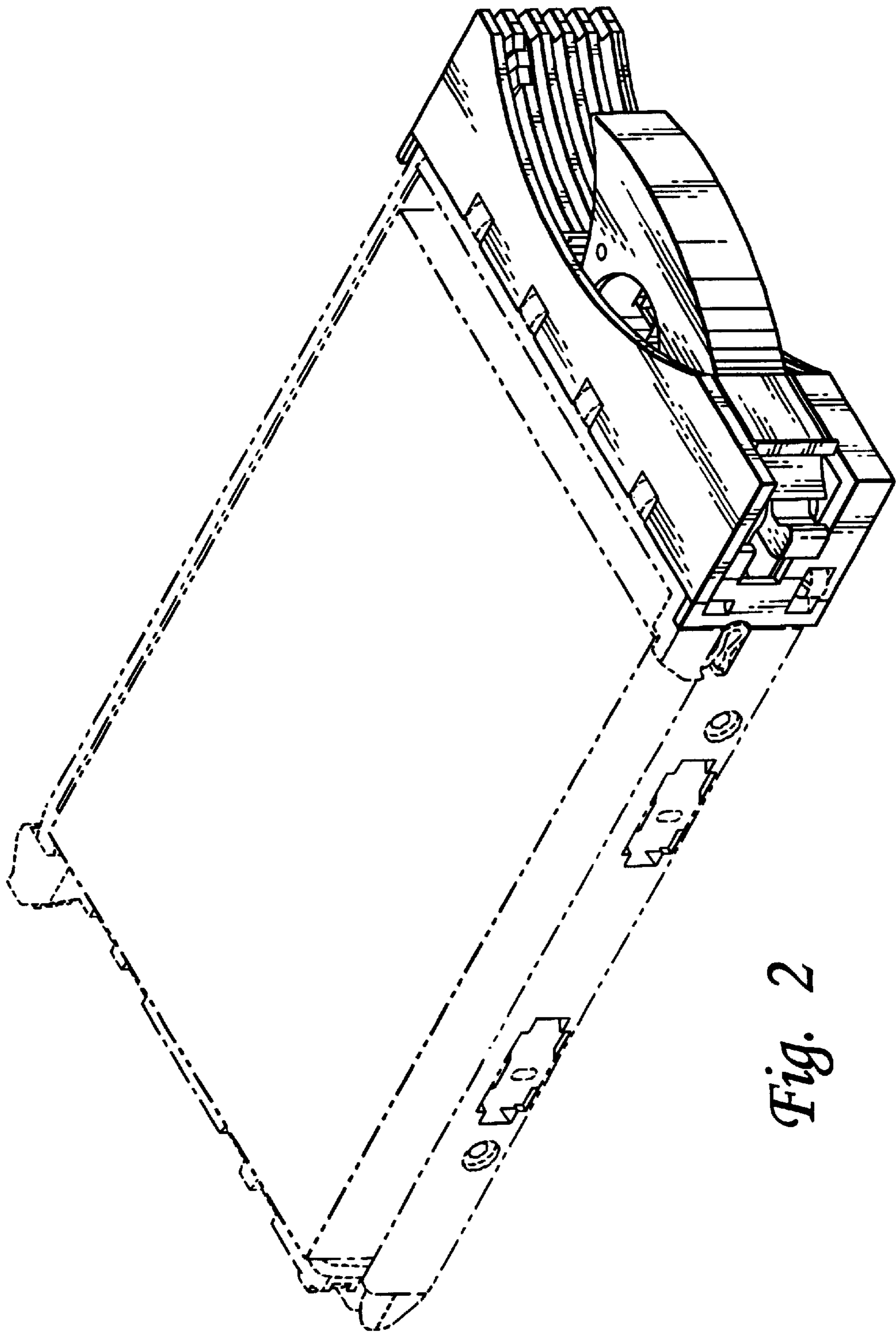


Fig. 2