



US00D446209S

(12) **United States Design Patent** (10) **Patent No.:** **US D446,209 S**
Hickford et al. (45) **Date of Patent:** **** Aug. 7, 2001**

(54) **NETPORT**

(75) Inventors: **Michele Hickford**, San Jose; **Samuel A. Lucente, II**, Palo Alto, both of CA (US); **Michael David Nelson**, Seattle, WA (US); **John A. Higginson**, Santa Clara, CA (US)

(73) Assignee: **SportBrain, Inc.**, Sunnyvale, CA (US)

(**) Term: **14 Years**

(21) Appl. No.: **29/125,135**

(22) Filed: **Jun. 19, 2000**

(51) **LOC (7) Cl.** **14-02**

(52) **U.S. Cl.** **D14/357**

(58) **Field of Search** D14/432, 433,
D14/356-358; D13/133, 154, 184, 199;
439/95, 358; 361/690-696; 709/218, 202,
249, 200; 340/825.52

(56) **References Cited**

U.S. PATENT DOCUMENTS

D. 220,764	*	5/1971	Ortega et al.	D14/357
D. 385,857	*	11/1997	Cohen et al.	D14/390
D. 417,201	*	11/1999	Davis	D14/343
5,287,103	*	2/1994	Kasprzyk et al.	340/825.52
5,572,643	*	11/1996	Judson	709/218
5,812,792	*	9/1998	Haddock et al.	709/249
5,964,830	*	10/1999	Durrett	709/200
5,964,832	*	10/1999	Kisor	709/202

* cited by examiner

Primary Examiner—Freda Nunn

(74) *Attorney, Agent, or Firm*—Blakely, Sokoloff, Taylor & Zafman, LLP.

(57) **CLAIM**

The ornamental design for a netport, as shown and described.

DESCRIPTION

A portion of the disclosure of this patent document contains material to which a claim for copyright is made. The copyright owner has no objection to the facsimile reproduction by anyone of the patent documents or the patent disclosure as it appears in the Patent and Trademark Office patent file or records, but reserves all other copyright rights whatsoever.

FIG. 1 is a perspective view of a netport showing our new design;

FIG. 2 is a top view thereof;

FIG. 3 is a bottom view thereof;

FIG. 4 is a front view thereof;

FIG. 5 is back view thereof;

FIG. 6 is a right side view thereof;

FIG. 7 is a left side view thereof;

FIG. 8 is a perspective view thereof wherein an element is shown in broken lines for illustrative purposes only and forms no part of the claimed design;

FIG. 9 is a top view thereof;

FIG. 10 is a bottom view thereof;

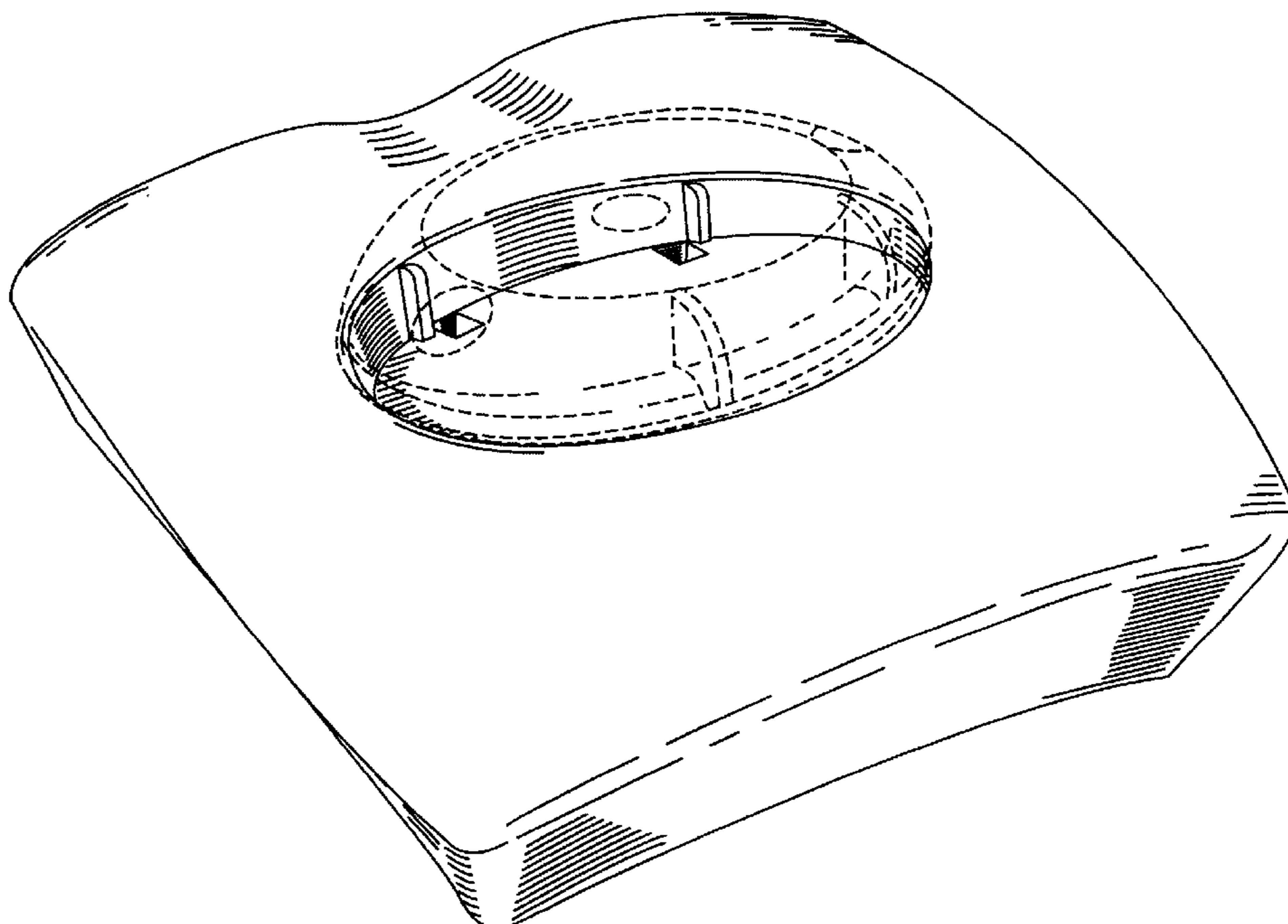
FIG. 11 is a front view thereof;

FIG. 12 is a back view thereof;

FIG. 13 is a right side view thereof; and,

FIG. 14 is a left side view thereof.

1 Claim, 12 Drawing Sheets



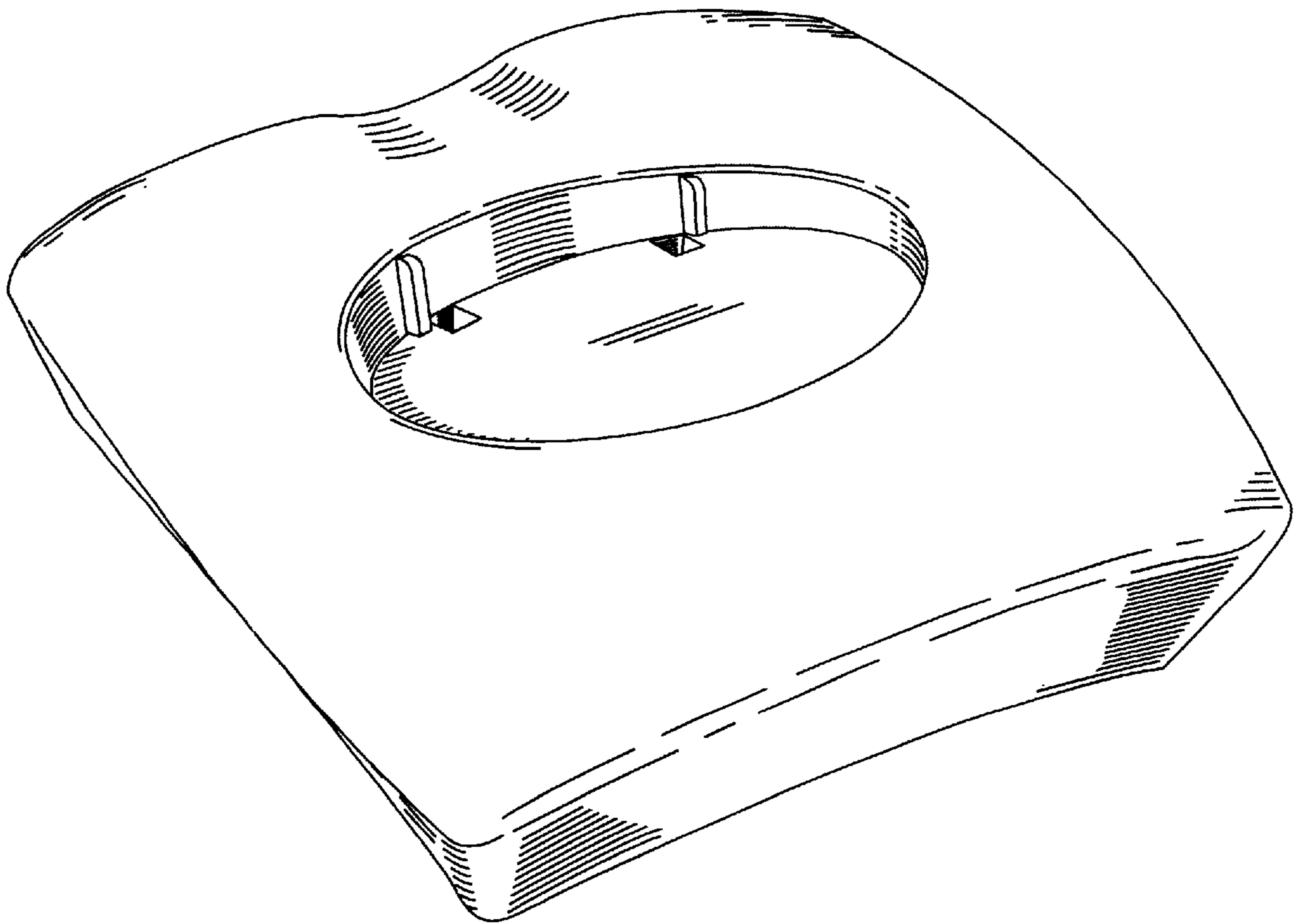


Fig. 1

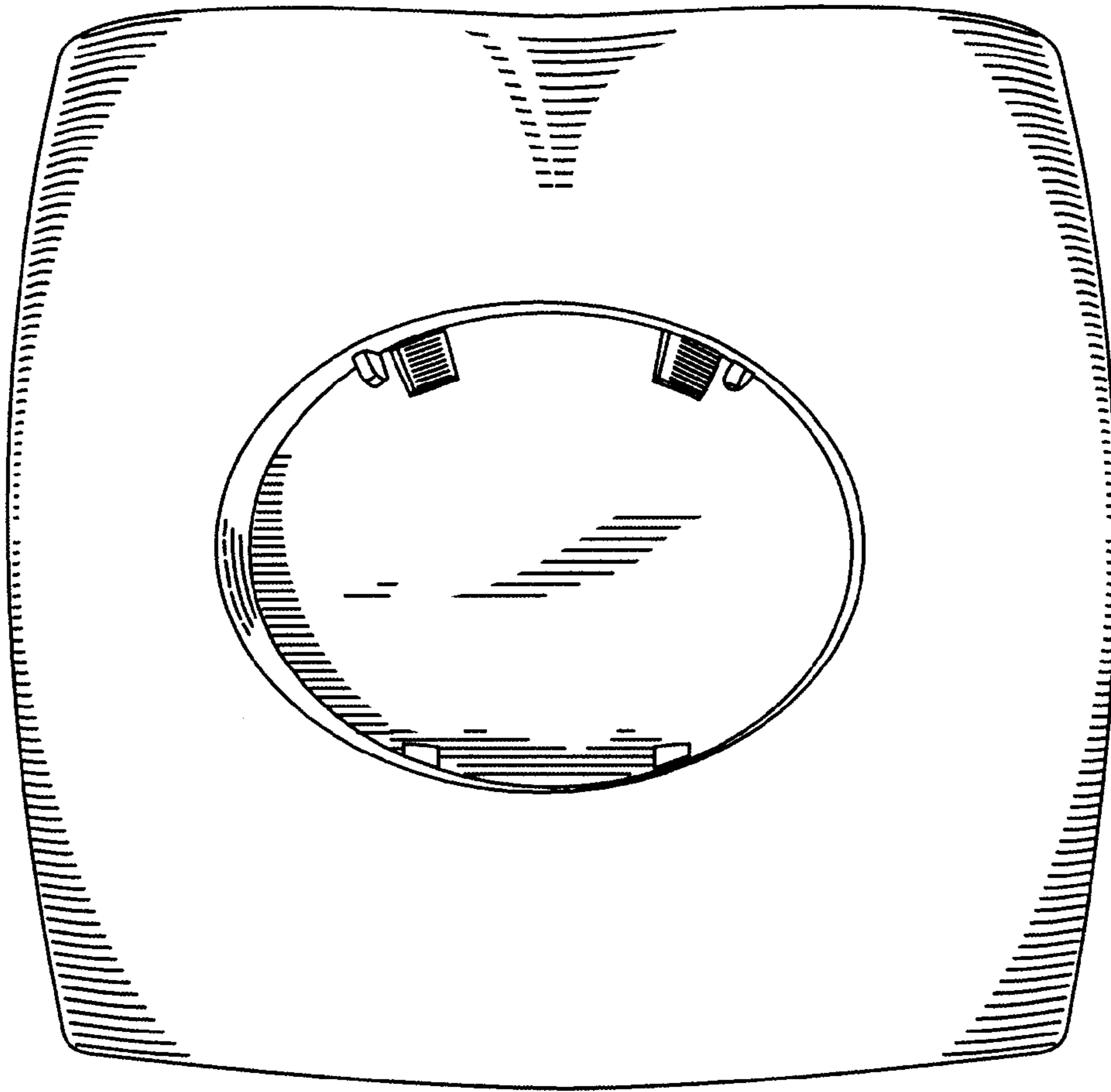


Fig. 2

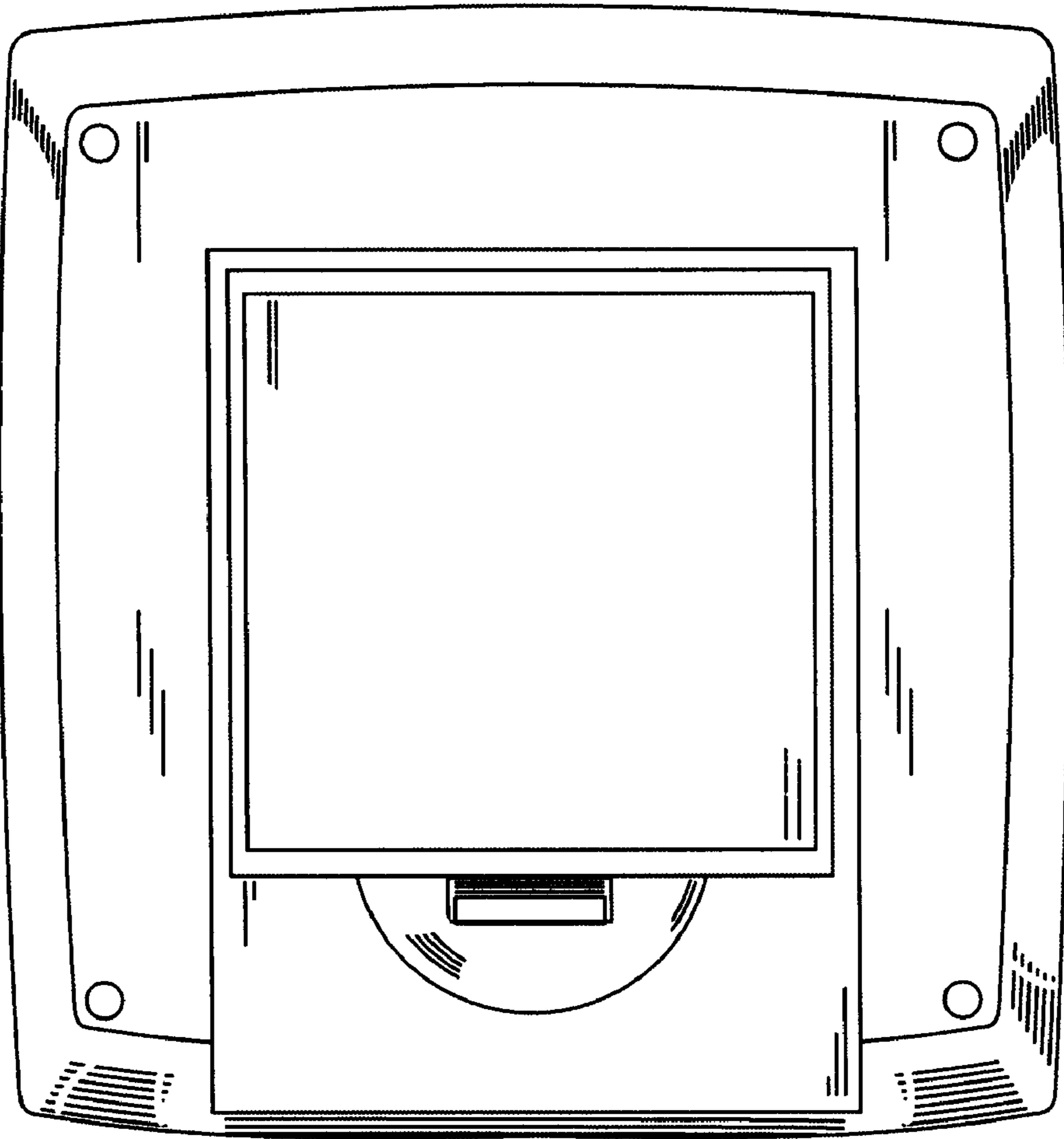


Fig. 3

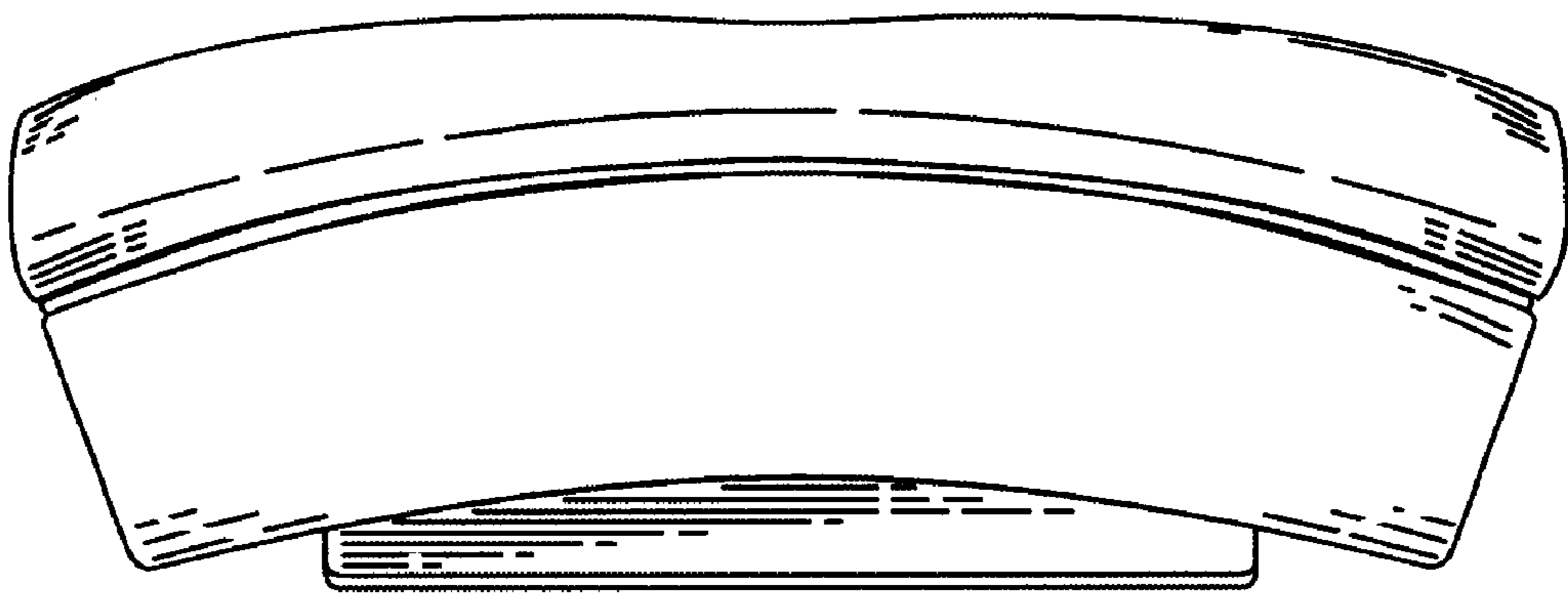


Fig. 4

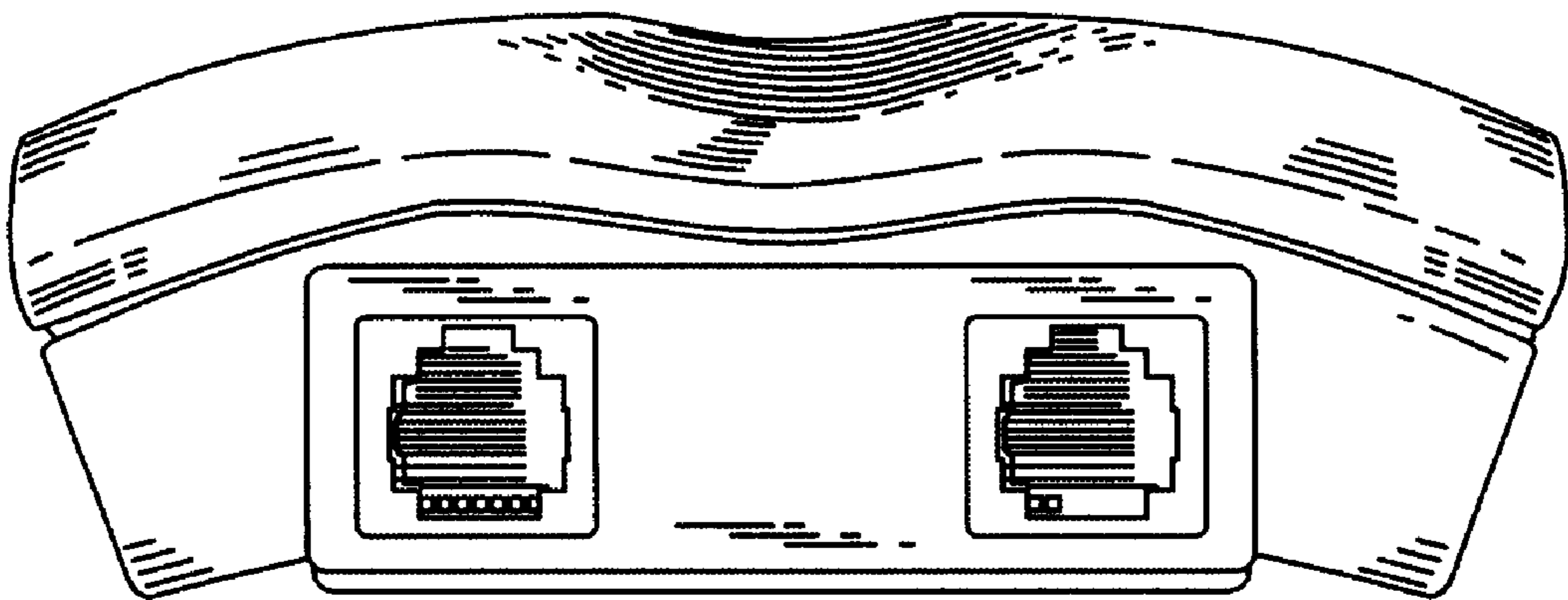


Fig. 5

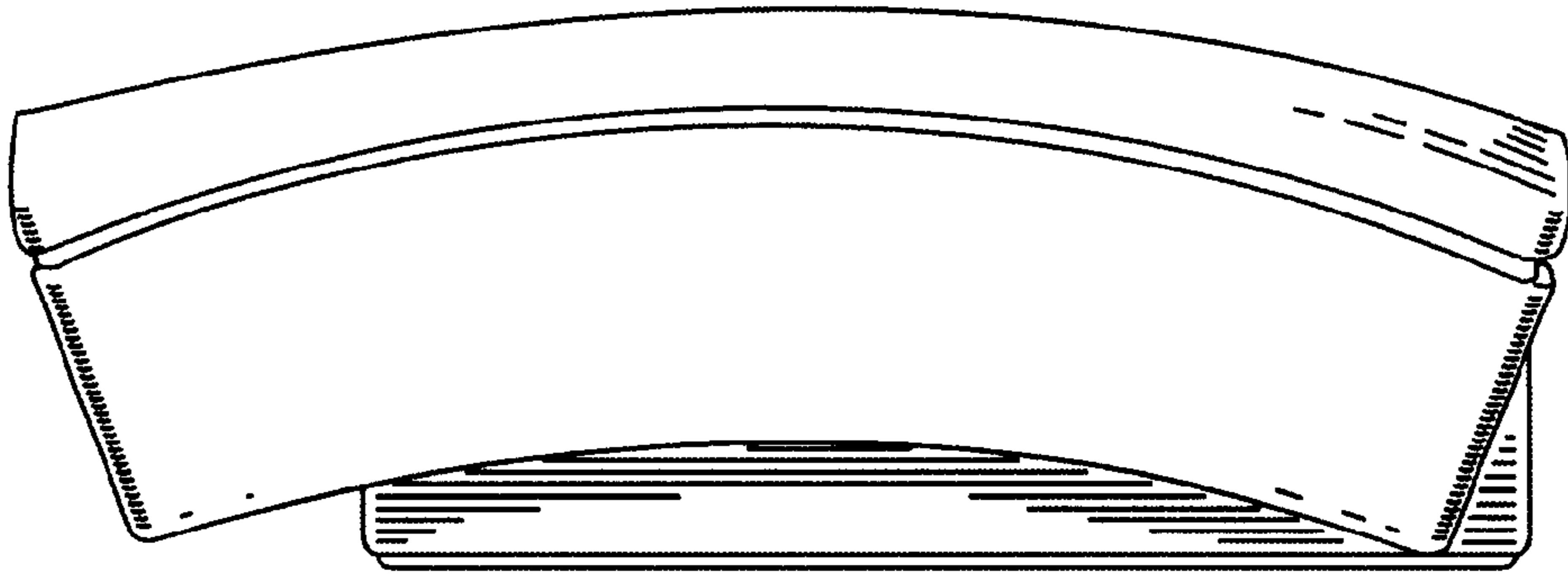


Fig. 6

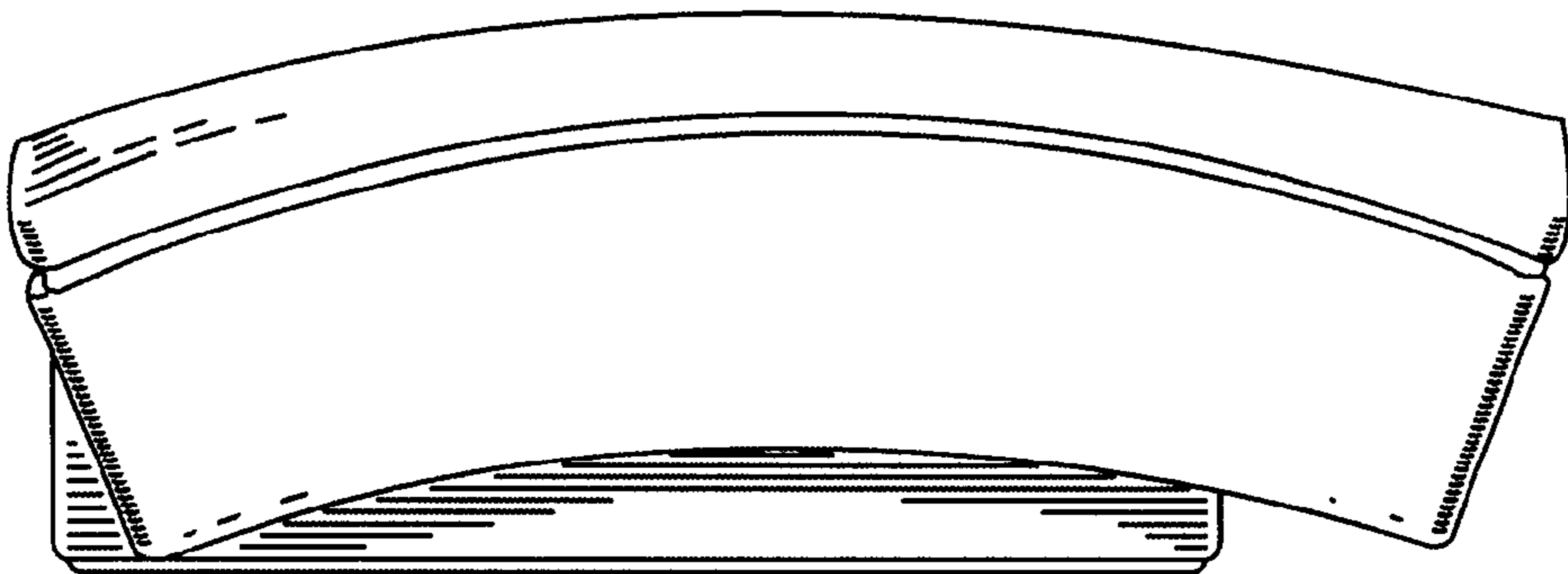


Fig. 7

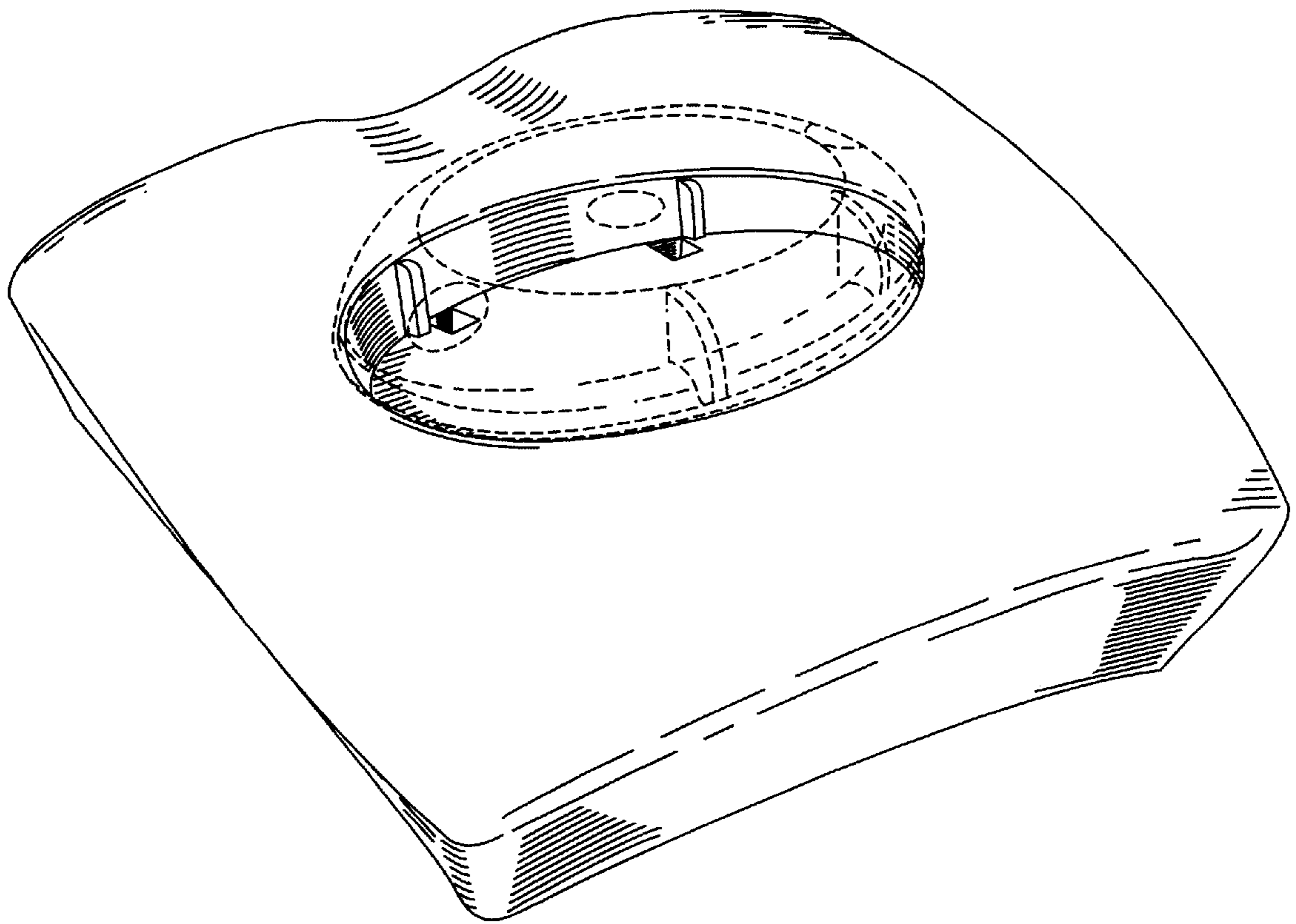


Fig. 8

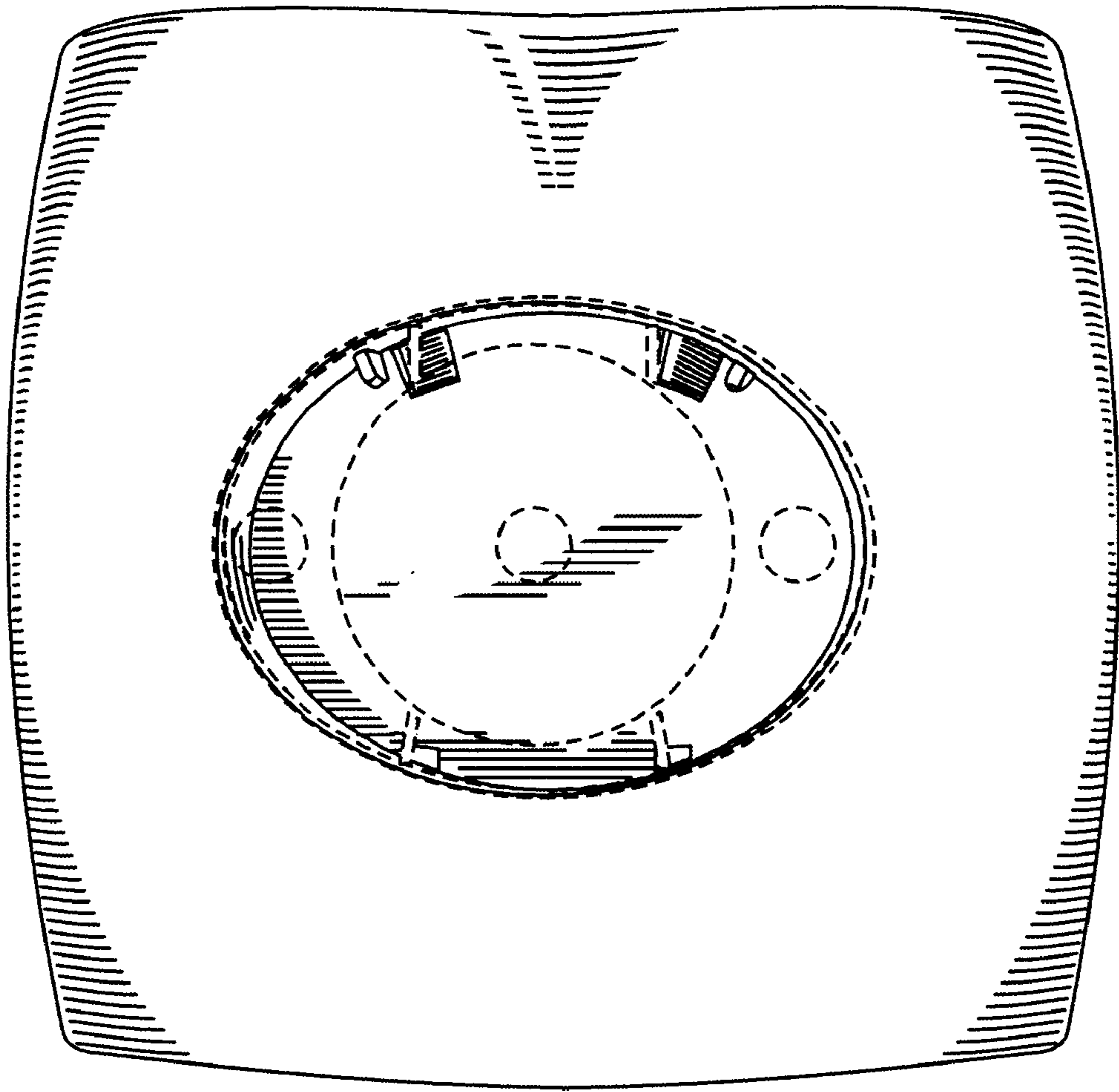


Fig. 9

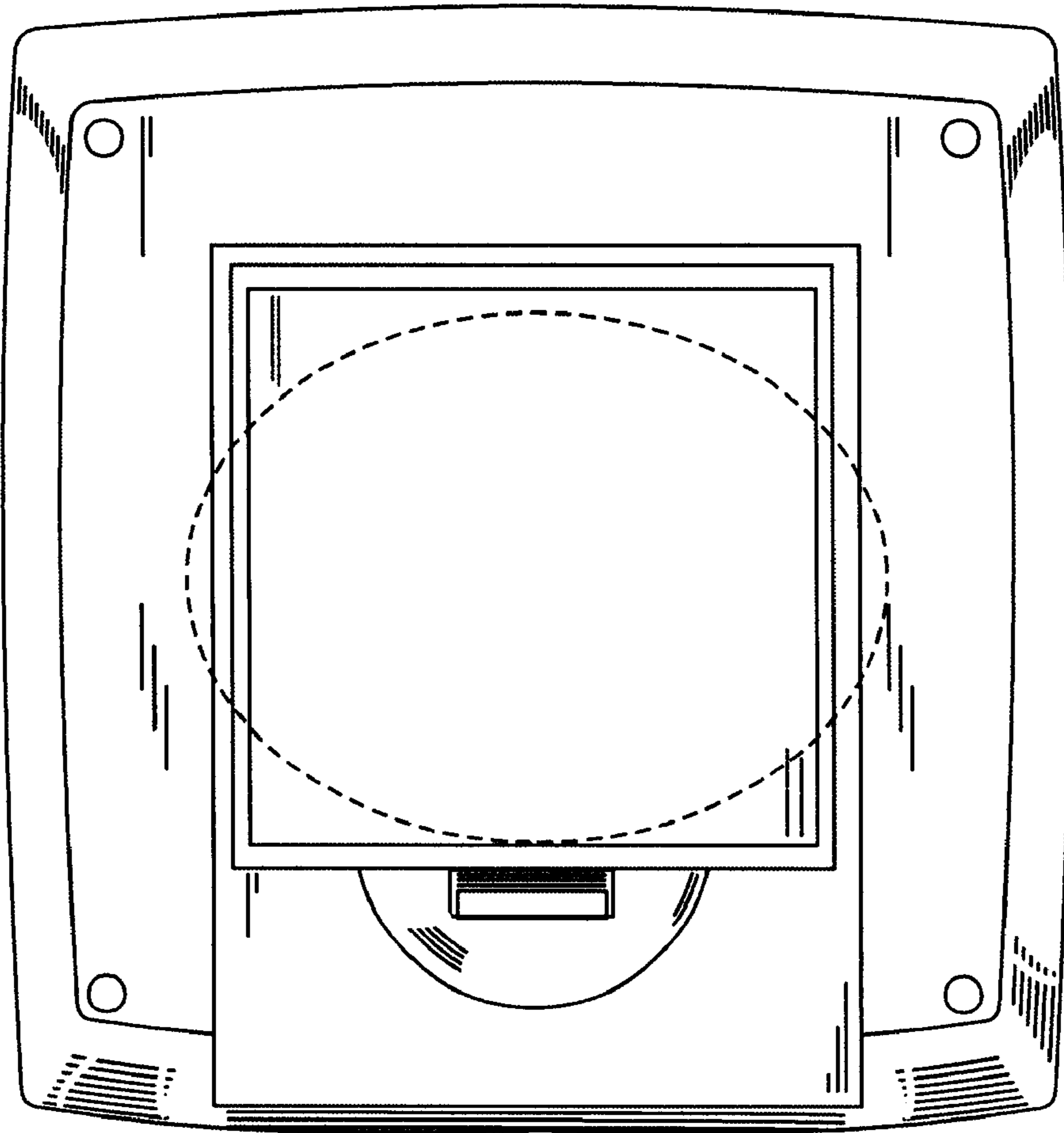


Fig. 10

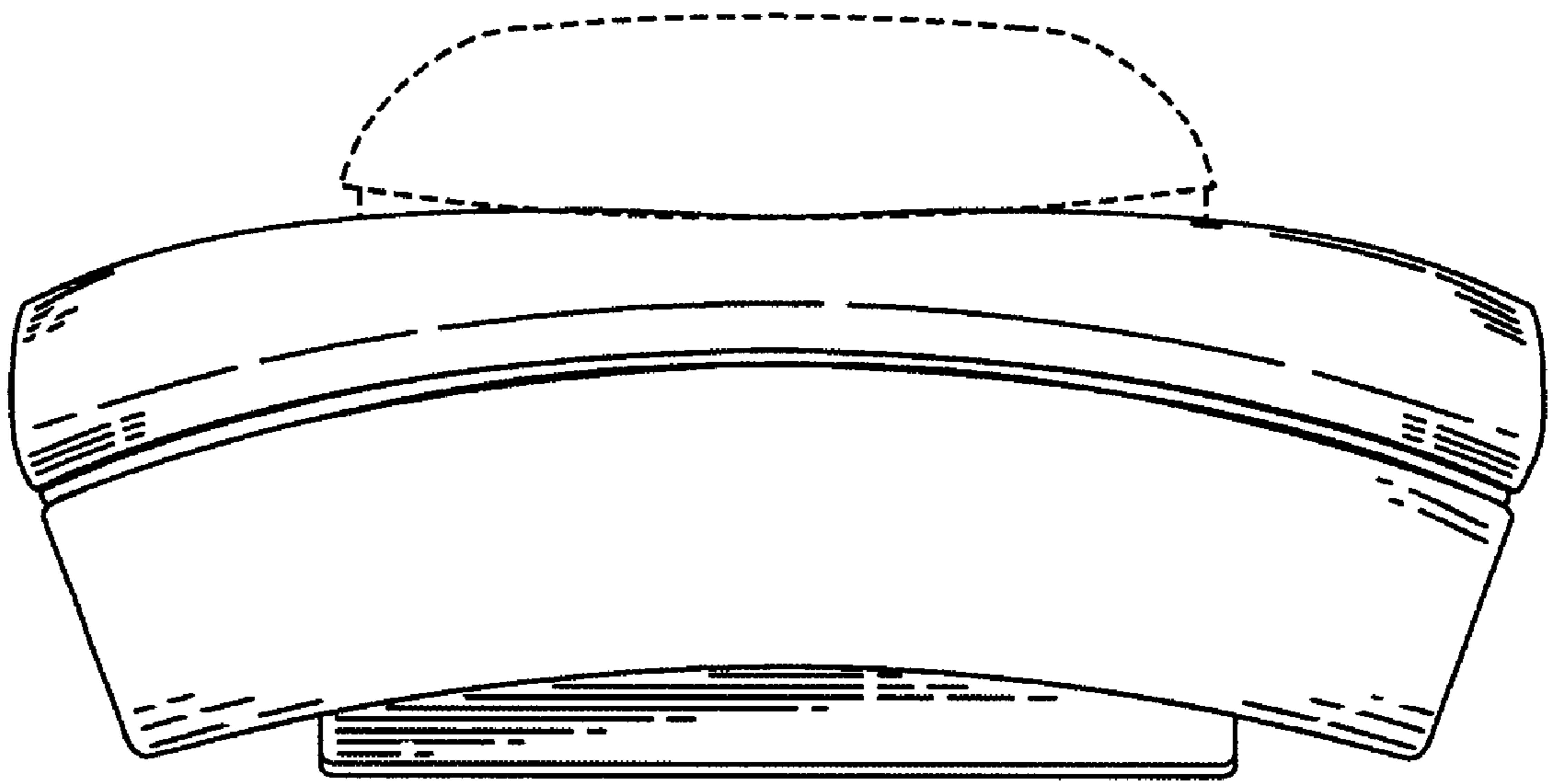


Fig. 11

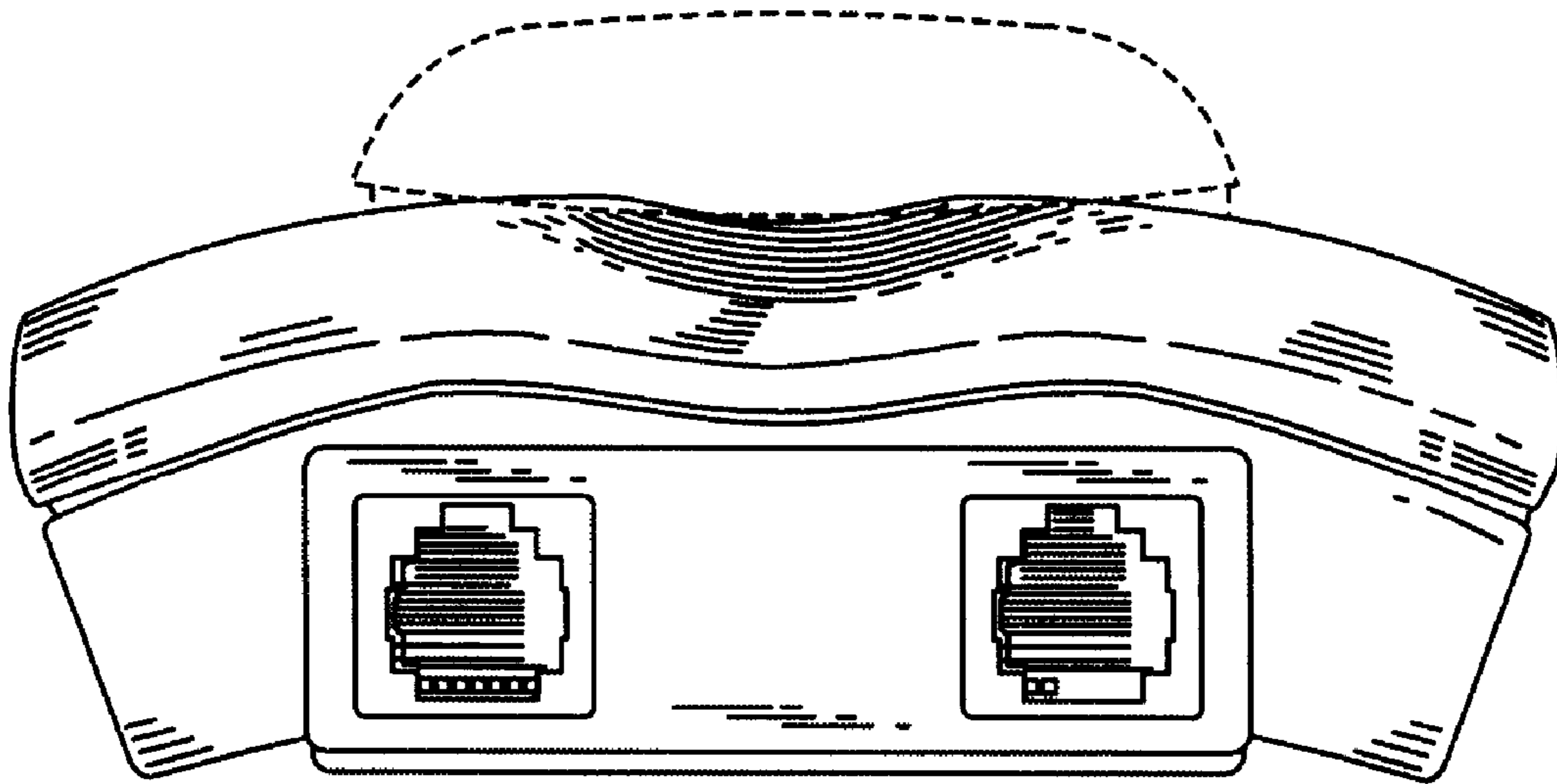


Fig. 12

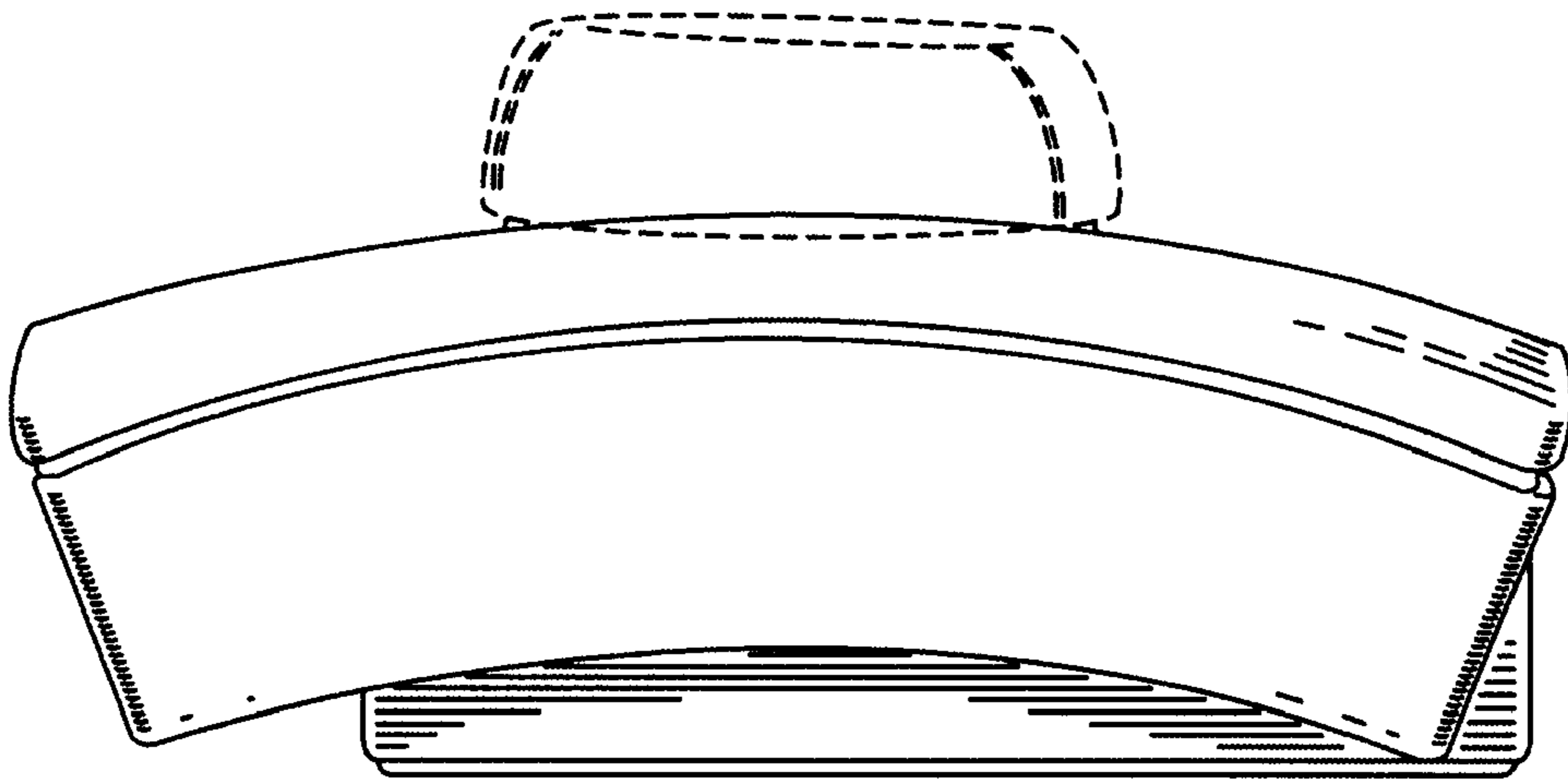


Fig. 13

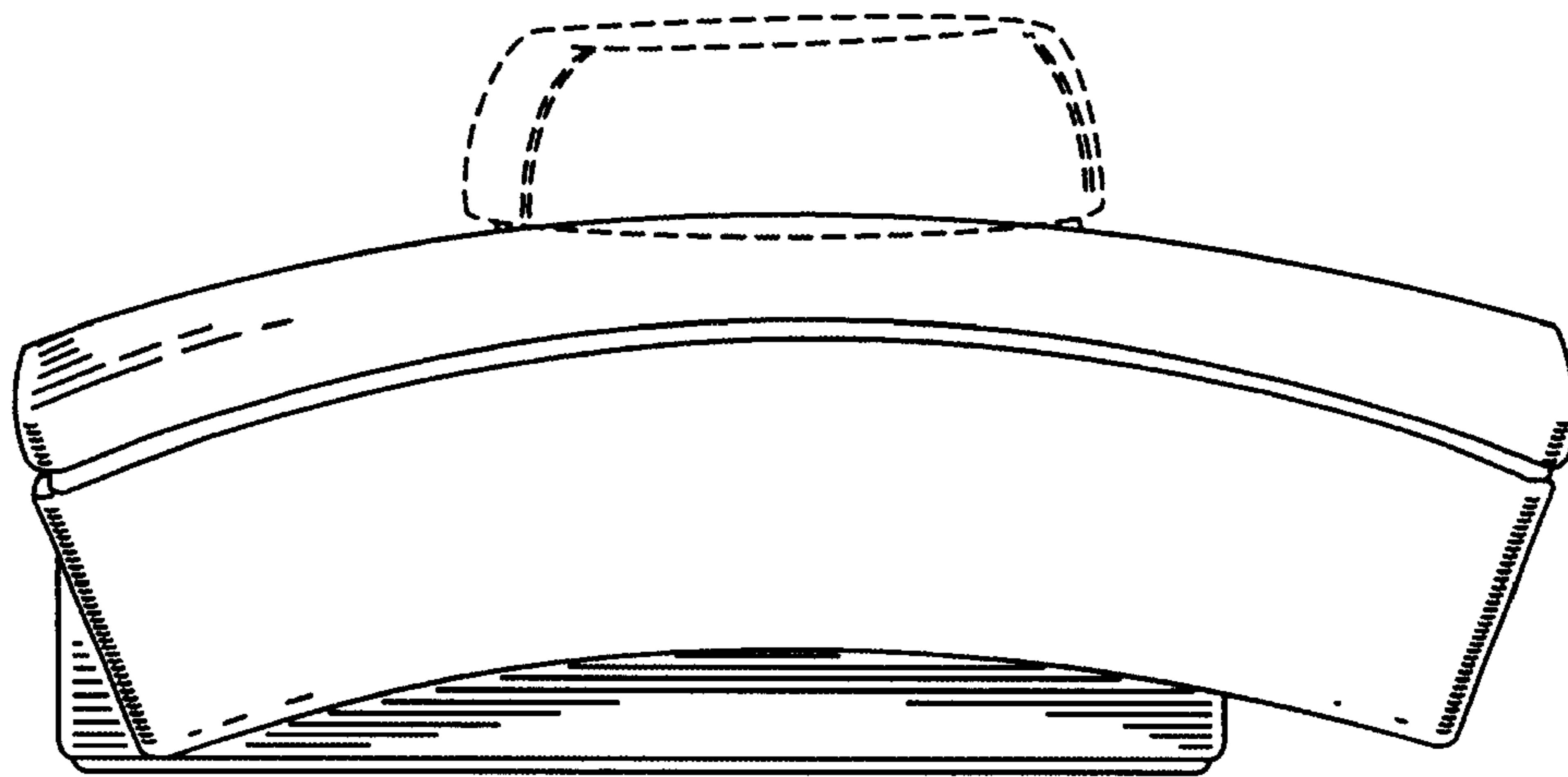


Fig. 14