



US00D446208S

(12) **United States Design Patent**
Zachl

(10) **Patent No.:** **US D446,208 S**

(45) **Date of Patent:** **** Aug. 7, 2001**

(54) **MOBILE COMPUTER MODULE**

(76) **Inventor:** **Erwin Zachl**, Wagnerstrasse 6, A-4400 Steyr (AT)

(**) **Term:** **14 Years**

(21) **Appl. No.:** **29/123,192**

(22) **Filed:** **May 12, 2000**

(30) **Foreign Application Priority Data**

Nov. 15, 1999 (AT) 4158/99

(51) **LOC (7) Cl.** **14-02**

(52) **U.S. Cl.** **D14/302**

(58) **Field of Search** D14/303, 305,
D14/496; D6/407; D34/19; 108/25; 382/133;
359/635

(56) **References Cited**

U.S. PATENT DOCUMENTS

- D. 280,722 * 9/1985 Selke D14/303
- D. 281,502 * 11/1985 Wheeler D14/496
- D. 392,261 * 3/1998 Kodimer D14/305

- D. 398,123 * 9/1998 Dell et al. D34/19
- 5,086,476 * 2/1992 Bacus 382/133
- 5,437,235 * 8/1995 Randolph 108/25
- 5,671,091 * 9/1997 Monroe et al. 359/635

* cited by examiner

Primary Examiner—Freda Nunn

(74) *Attorney, Agent, or Firm*—Cook, Alex, McFarron, Manzo, Cummings & Mehler, Ltd.

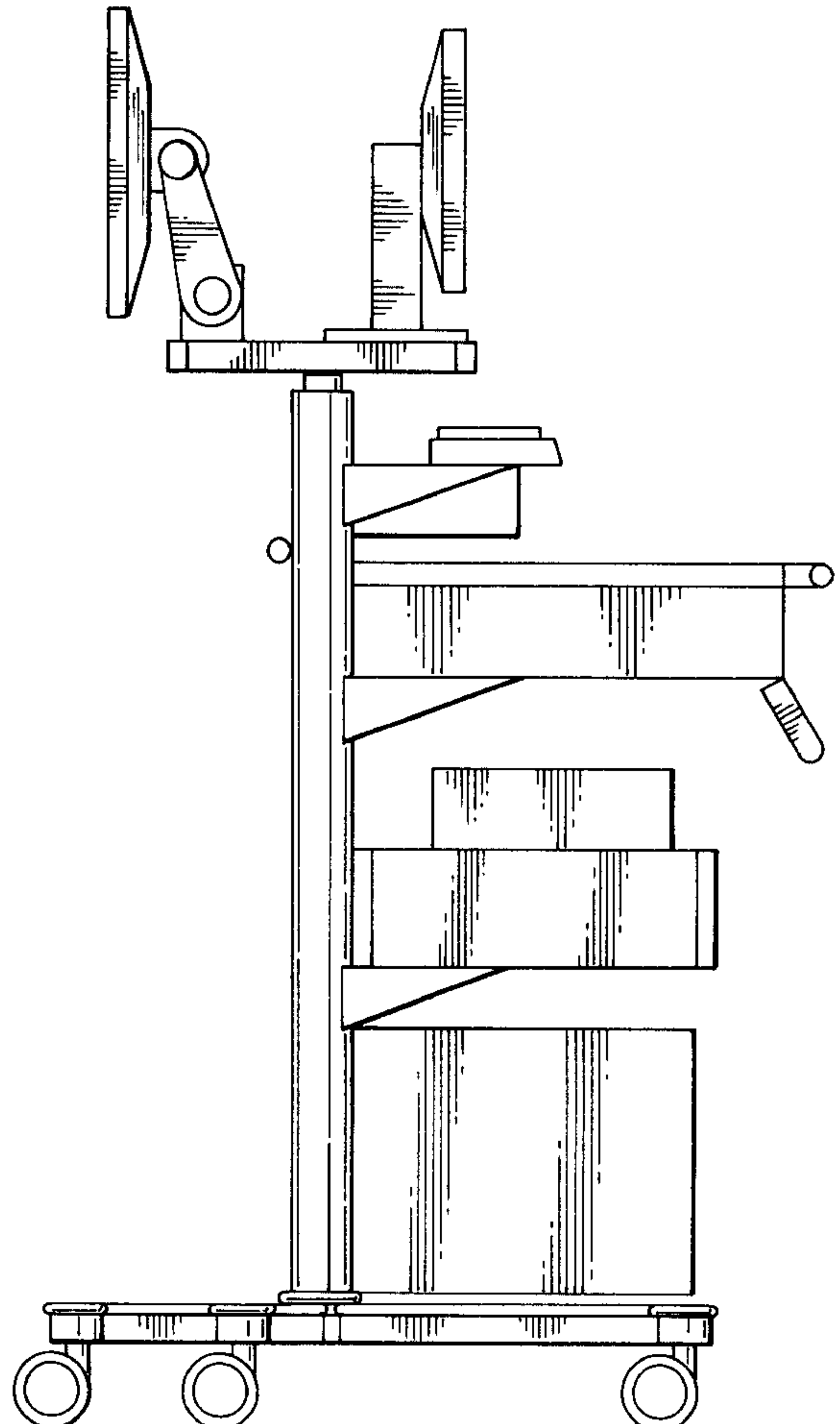
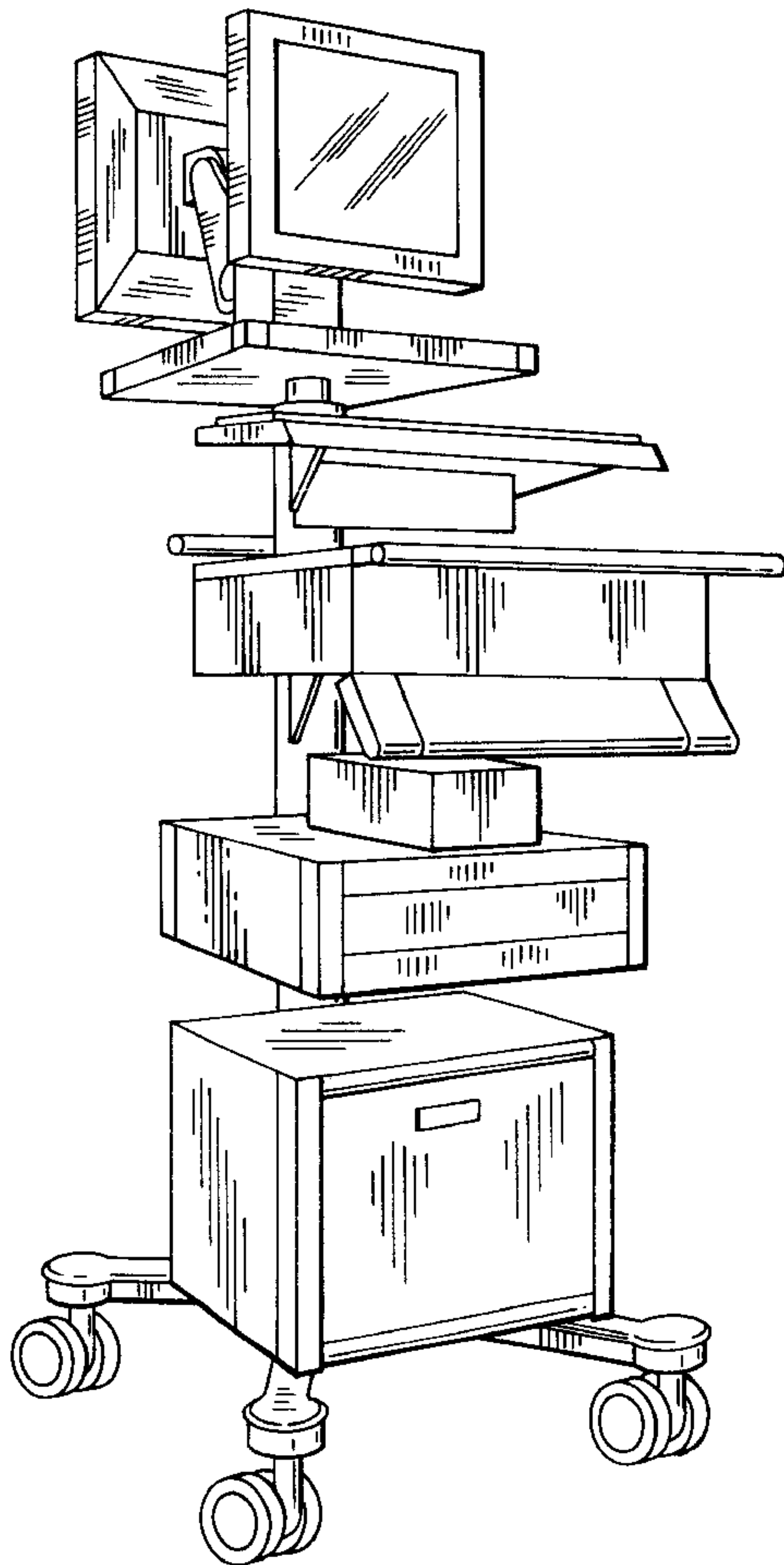
(57) **CLAIM**

The ornamental design for a mobile computer module, as shown and described.

DESCRIPTION

FIG. 1 is a front perspective of the mobile computer module; FIG. 2 is a front elevational view of the mobile computer module; FIG. 3 is a back elevational view of the mobile computer module; FIG. 4 is side view of the mobile computer module; and, FIG. 5 is a top plan view of the mobile computer module.

1 Claim, 5 Drawing Sheets



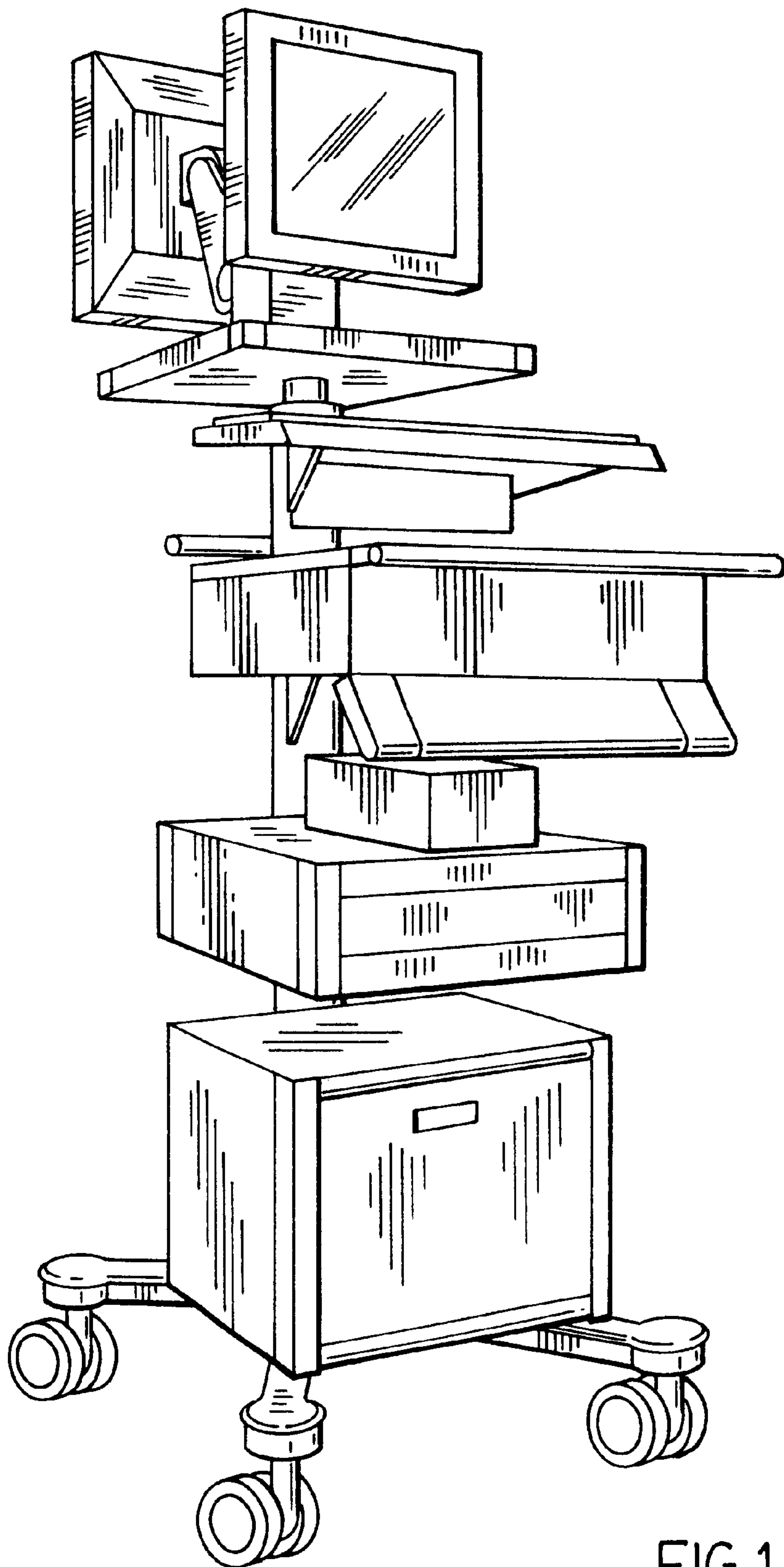


FIG.1.

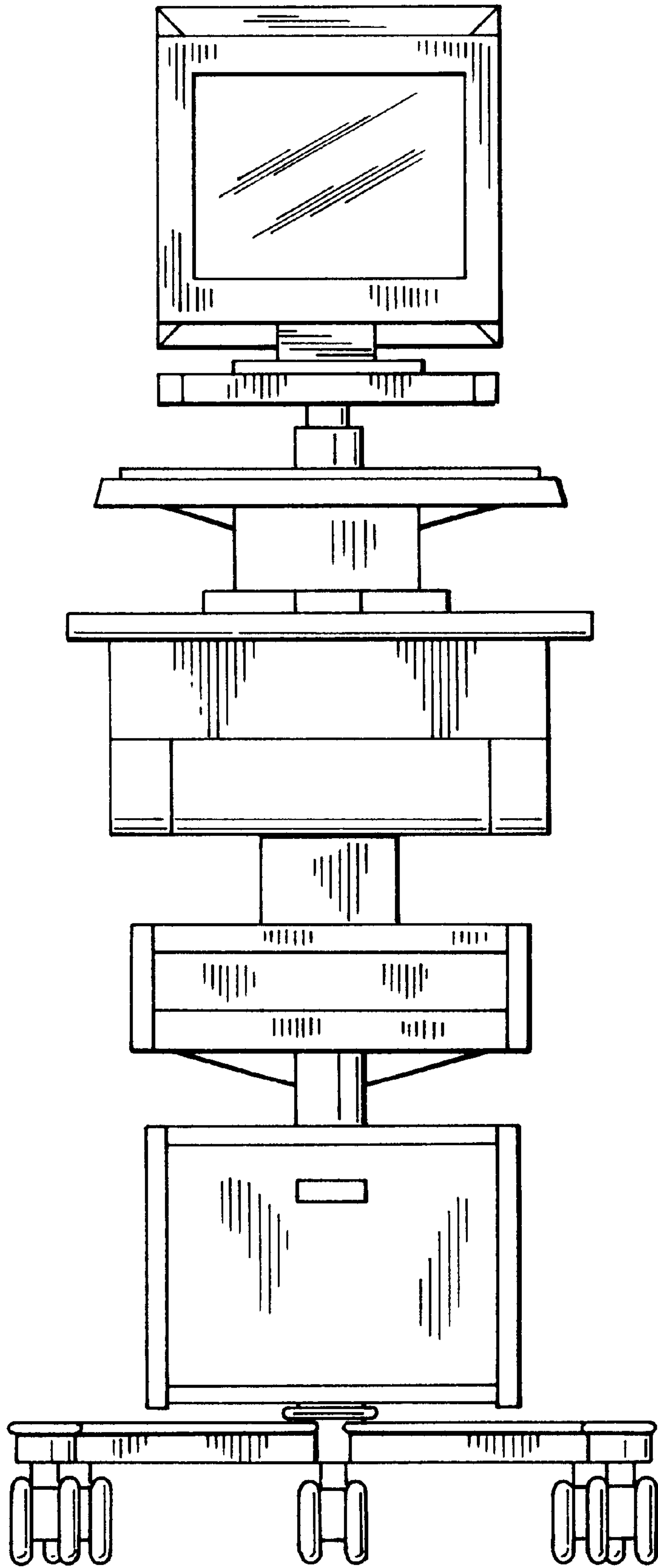


FIG. 2.

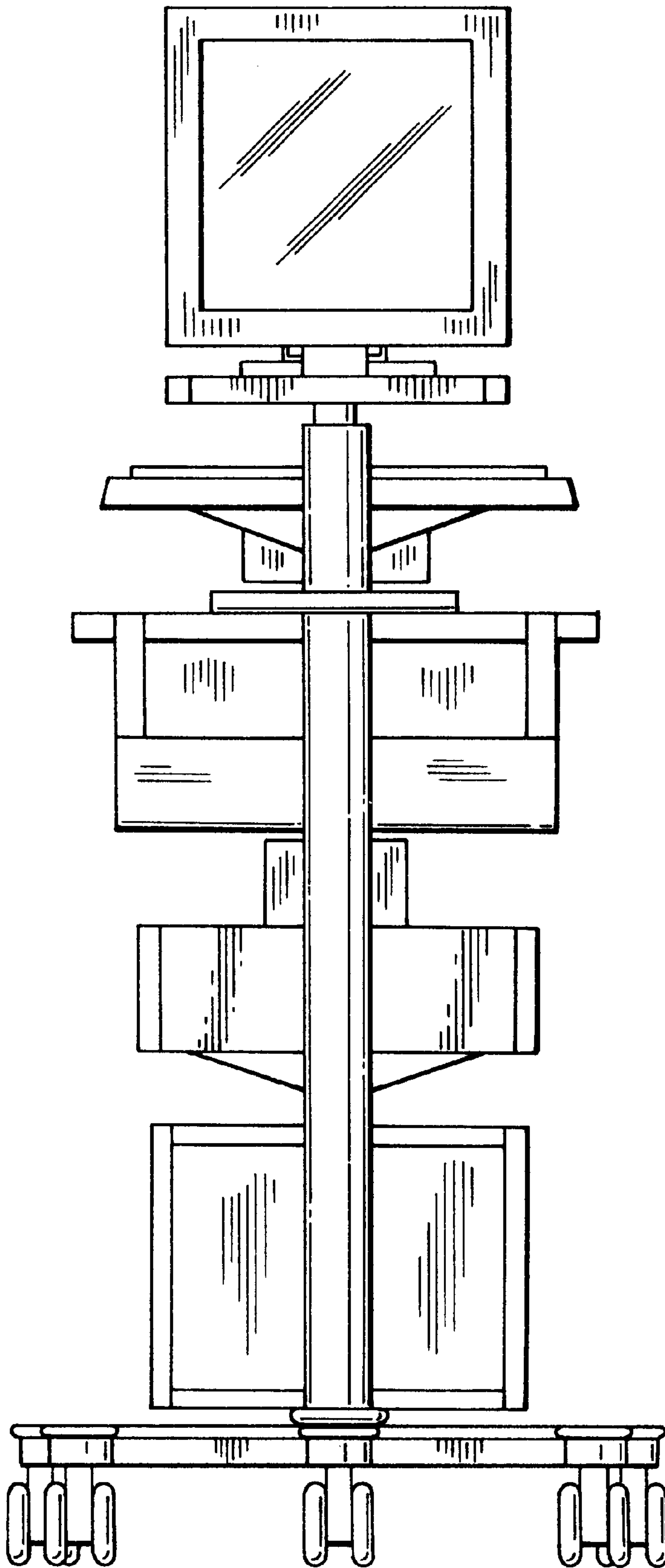
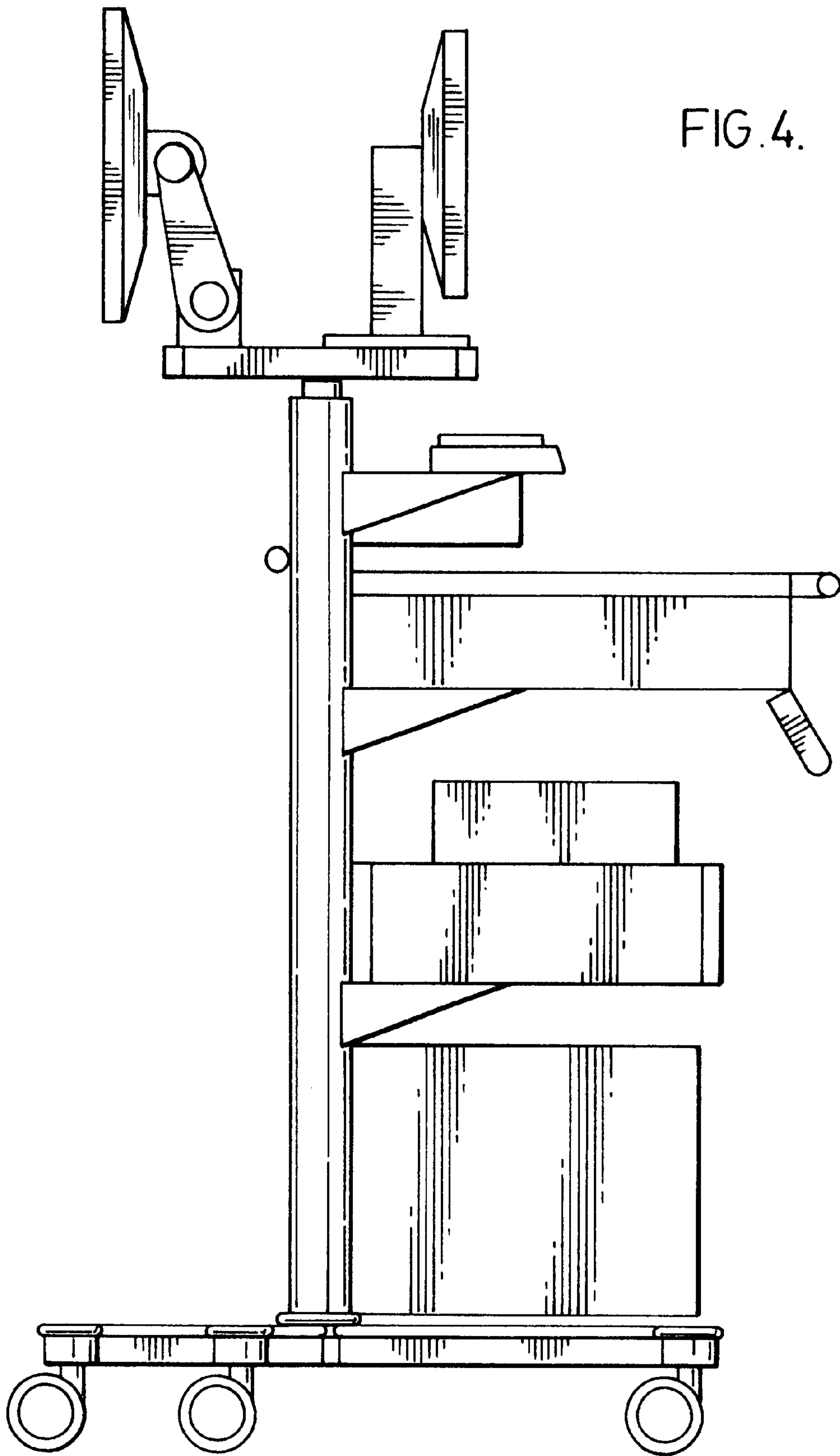


FIG. 3.



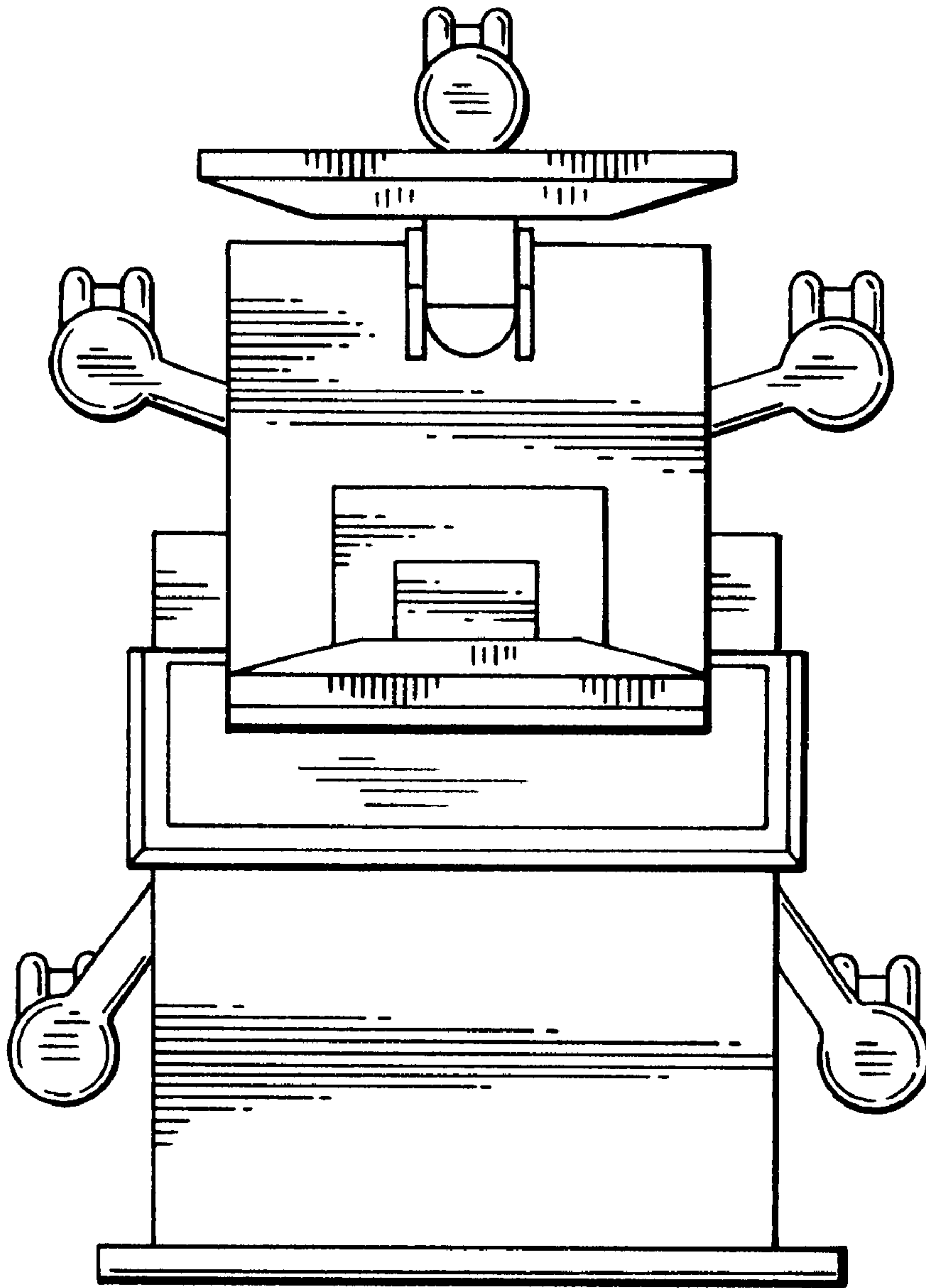


FIG. 5.