



US00D446199S

(12) **United States Design Patent**  
**Xu et al.**

(10) **Patent No.:** **US D446,199 S**

(45) **Date of Patent:** **\*\* Aug. 7, 2001**

(54) **MOBILE PHONE**

(75) **Inventors:** **Hong-Wei Xu, Nanking (CN);**  
**Cheng-Shing Lai, Taipei (TW)**

(73) **Assignee:** **Inventec Appliances Corp., Taipei**  
**(TW)**

(\*\*) **Term:** **14 Years**

(21) **Appl. No.:** **29/134,212**

(22) **Filed:** **Dec. 18, 2000**

(51) **LOC (7) Cl.** ..... **14-03**

(52) **U.S. Cl.** ..... **D14/138**

(58) **Field of Search** ..... D14/137, 138,  
D14/218, 147-148, 247-248, 144, 341-347;  
379/433, 434, 419, 420, 428, 440; 455/550-575,  
90; 348/14.01, 14.02

(56) **References Cited**

**U.S. PATENT DOCUMENTS**

D. 354,478	*	1/1995	Miyahara	.....	D14/345
D. 359,920	*	7/1995	Sakamoto	.....	D10/65
D. 370,673	*	6/1996	Happo et al.	.....	D14/138
D. 381,021	*	7/1997	Williams et al.	.....	D14/138
D. 385,875	*	11/1997	Harris et al.	.....	D14/138
D. 395,303	*	6/1998	Kawashima	.....	D14/138
D. 408,030	*	4/1999	Richards et al.	.....	D14/138
D. 409,185	*	5/1999	Kawashima	.....	D14/138
D. 409,601	*	5/1999	Wicks et al.	.....	D14/138

D. 413,597	*	9/1999	Oba	.....	D14/144
D. 416,001	*	11/1999	Tal et al.	.....	D14/347
D. 416,253	*	11/1999	Hibino	.....	D14/138
D. 419,993	*	2/2000	Silzer, Jr.	.....	D14/138
D. 422,271	*	4/2000	Kawashima	.....	D14/343
D. 425,056	*	5/2000	Edwards et al.	.....	D14/138
D. 432,511	*	10/2000	Eckholm	.....	D14/138
D. 433,017	*	10/2000	Martinez	.....	D14/346
D. 433,671	*	11/2000	Fitzgerald	.....	D14/142

\* cited by examiner

*Primary Examiner*—Jeffrey Asch

(74) *Attorney, Agent, or Firm*—Birch, Stewart, Kolasch & Birch, LLP

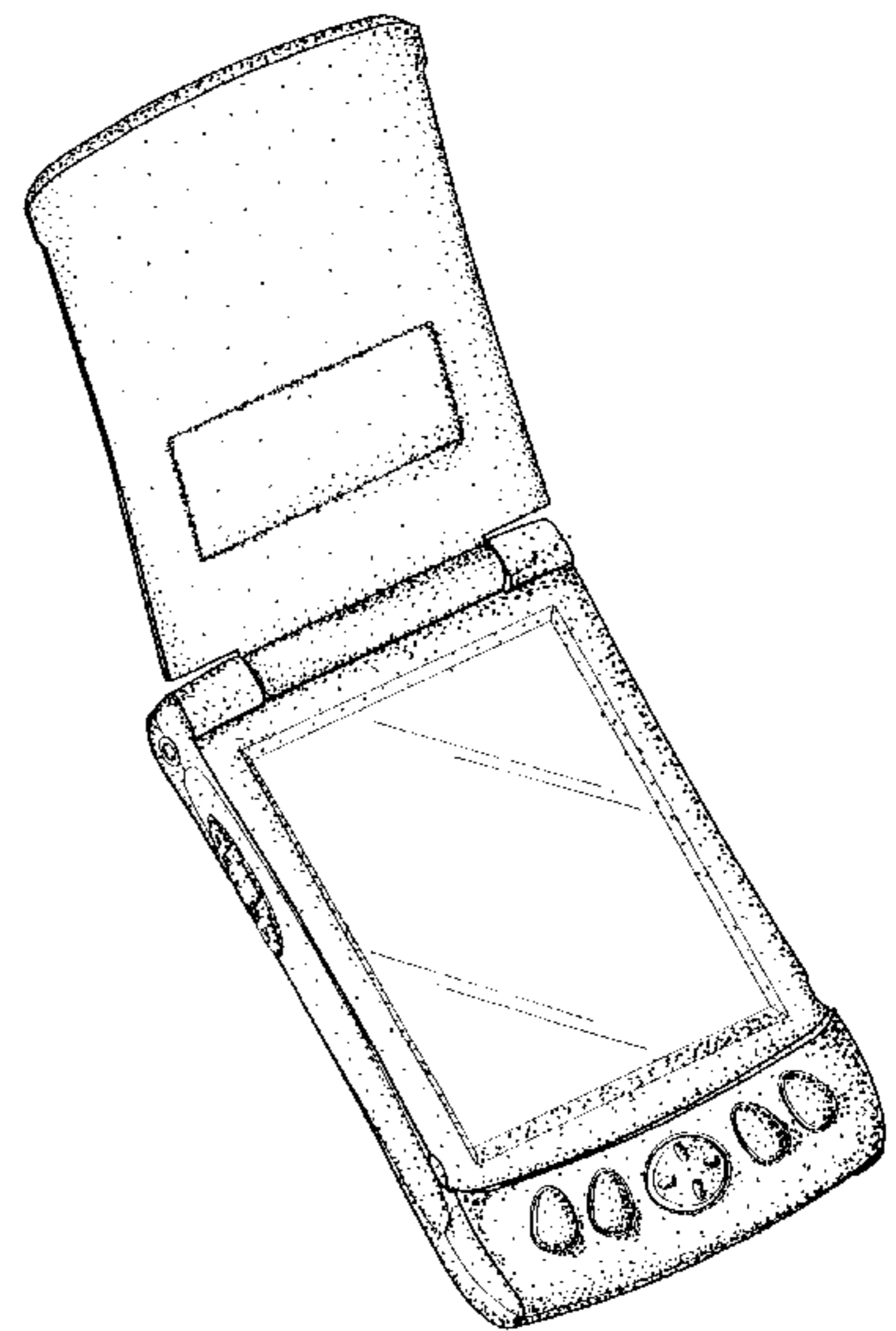
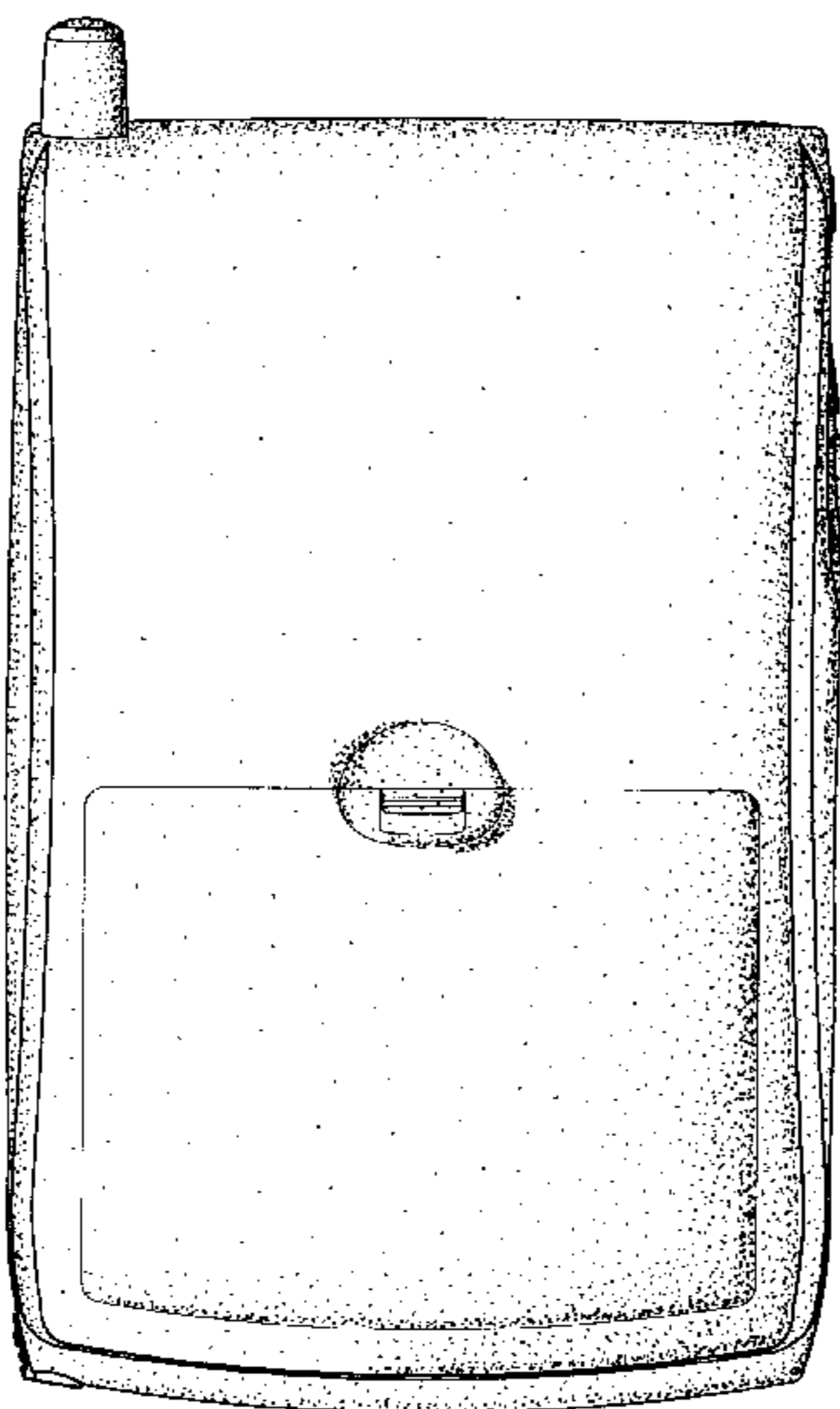
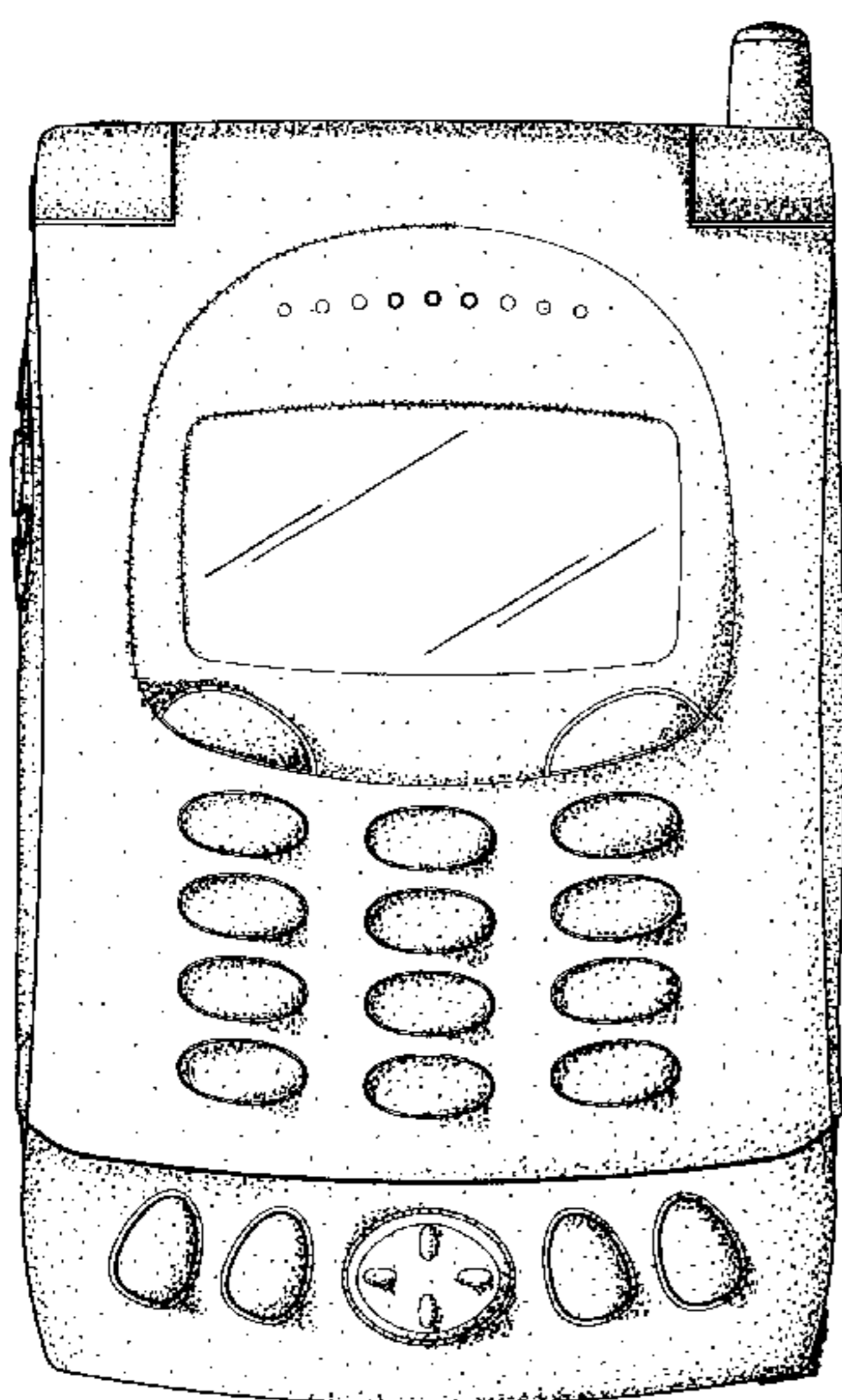
(57) **CLAIM**

The ornamental design for a mobile phone, as shown and described.

**DESCRIPTION**

FIG. 1 is a perspective view of a mobile phone, showing our new design;  
FIG. 2 is right side elevational view thereof;  
FIG. 3 is a top view thereof;  
FIG. 4 is front view thereof;  
FIG. 5 is a rear view thereof;  
FIG. 6 is a left side elevational view thereof; and  
FIG. 7 is a bottom view thereof; and,  
FIG. 8 is a perspective view in an open condition.

**1 Claim, 8 Drawing Sheets**



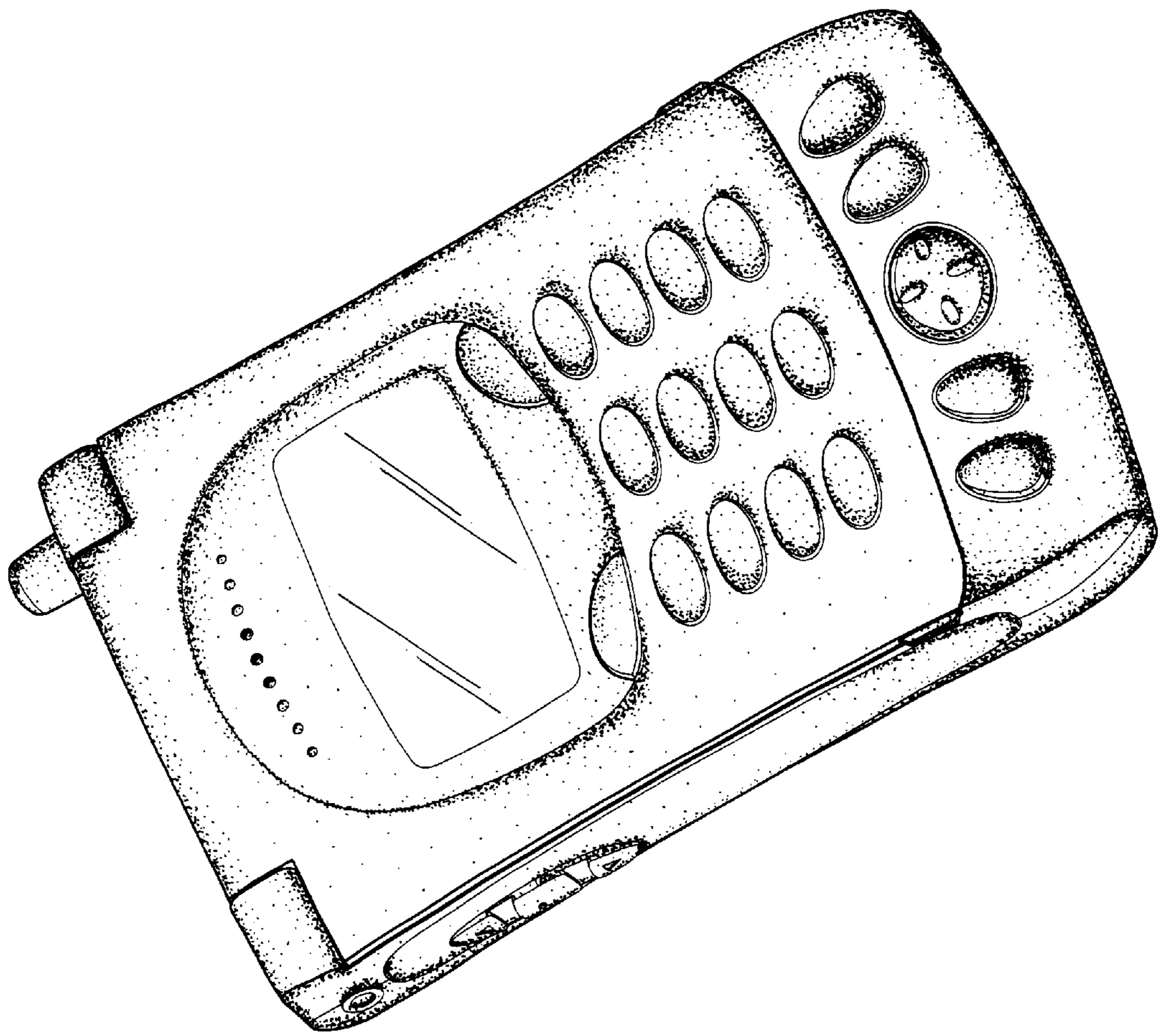


FIG. 1

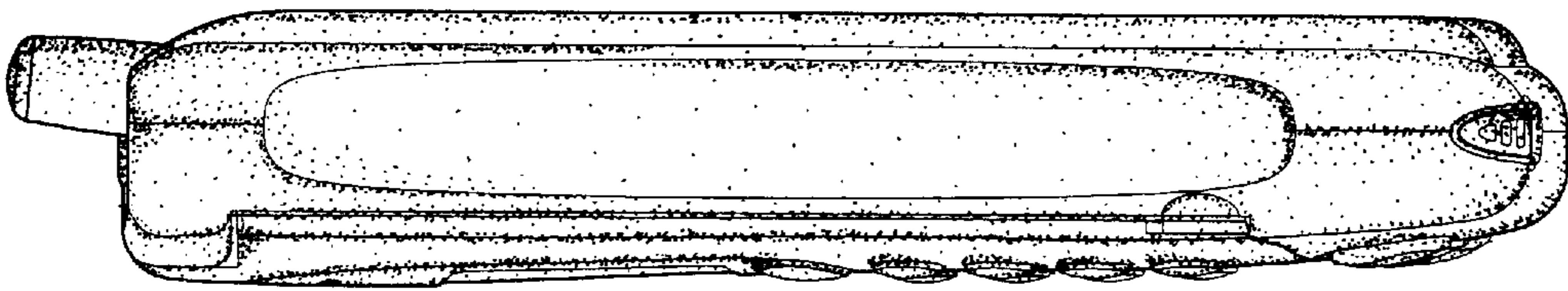


FIG. 2

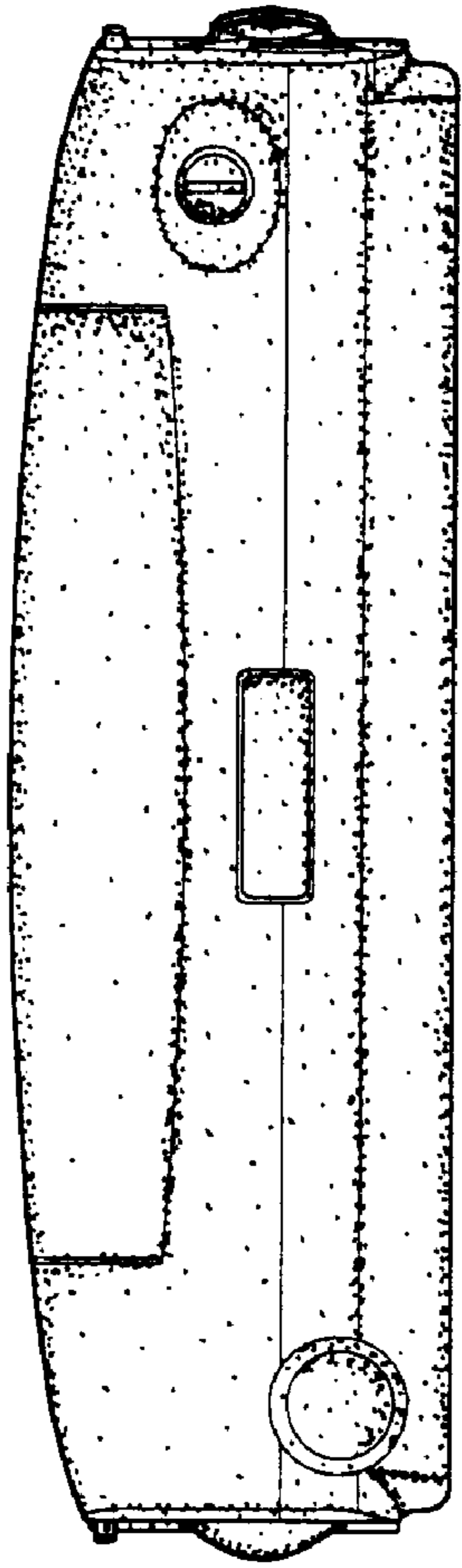


FIG. 3

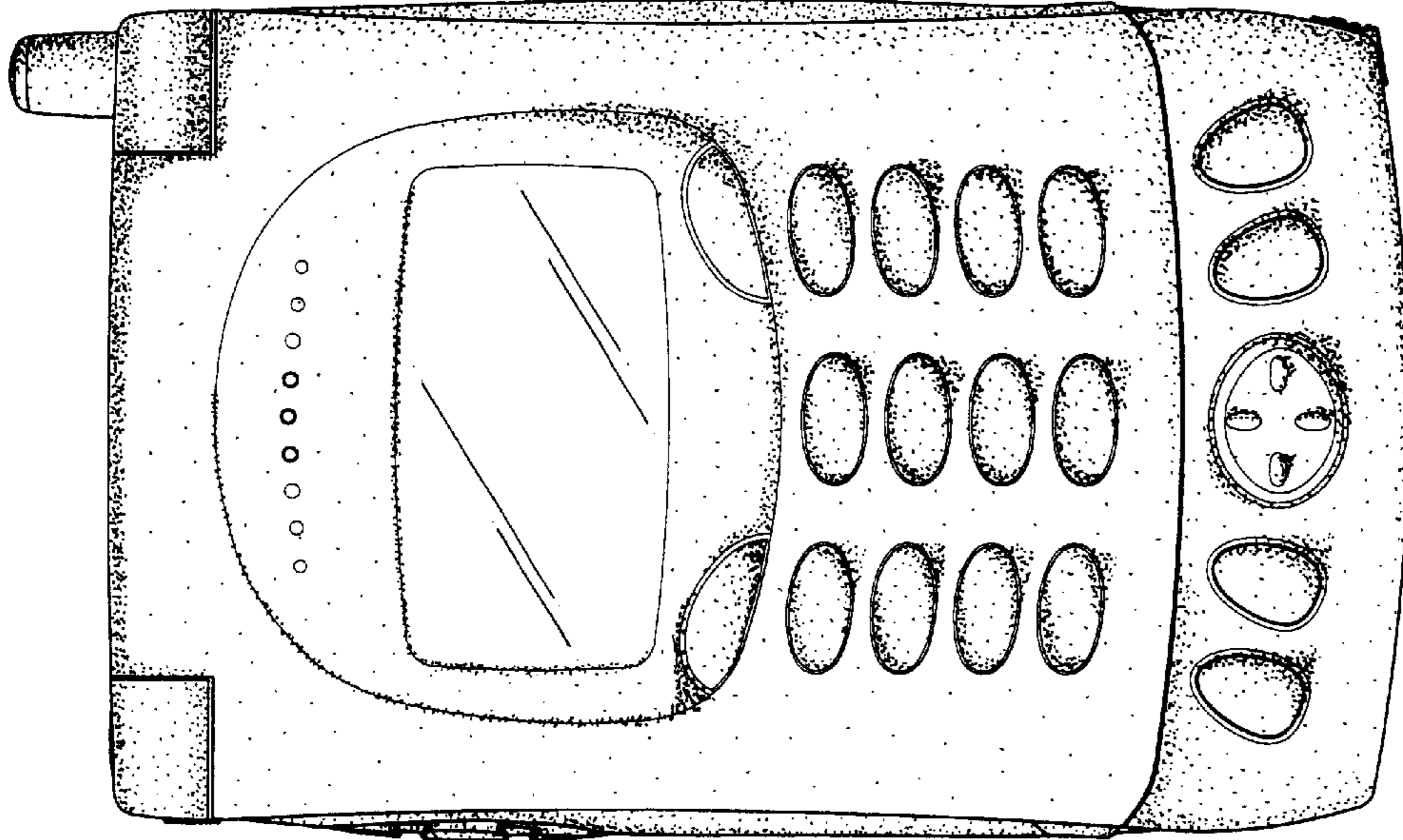


FIG. 4

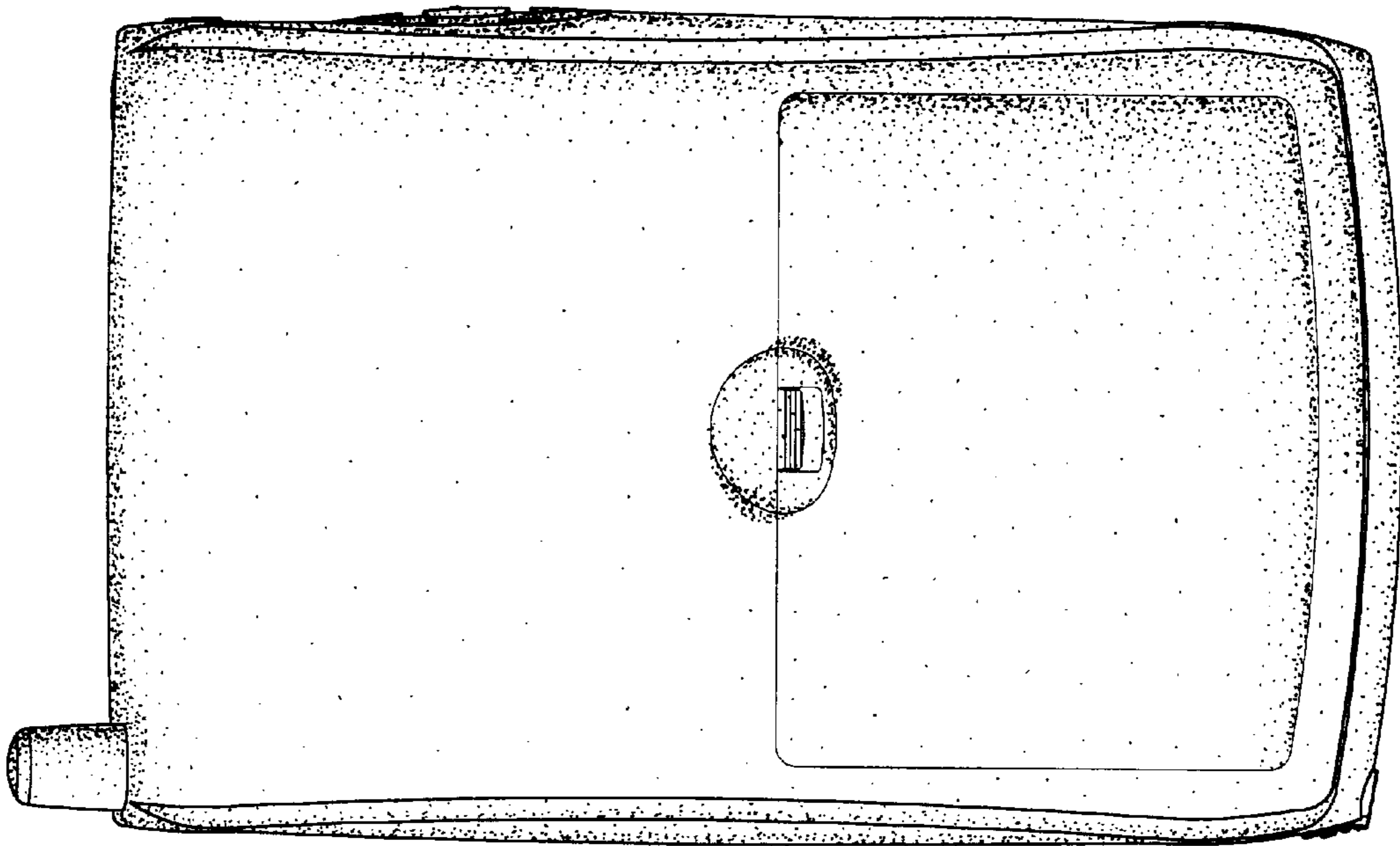


FIG. 5

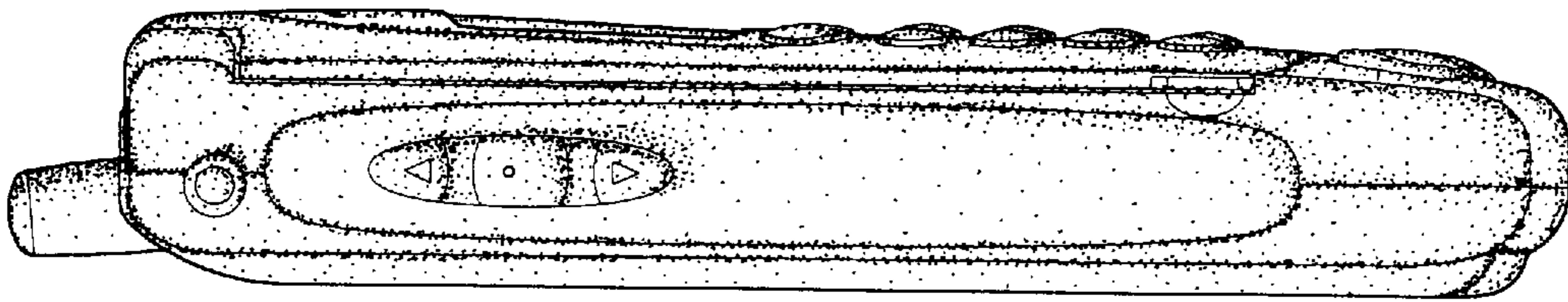


FIG. 6

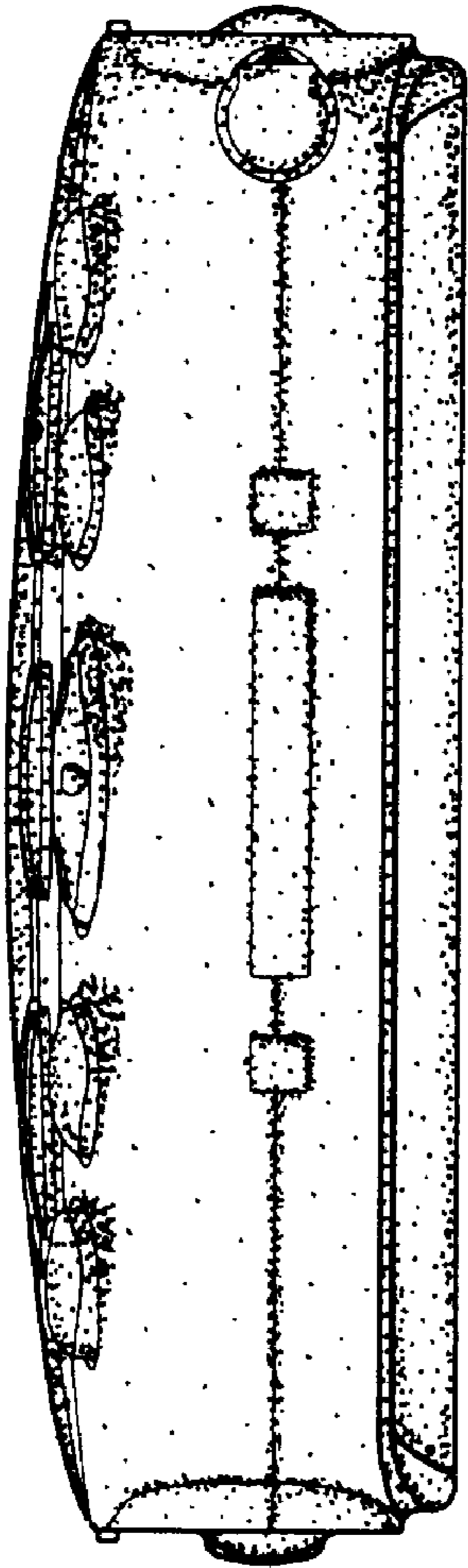


FIG. 7



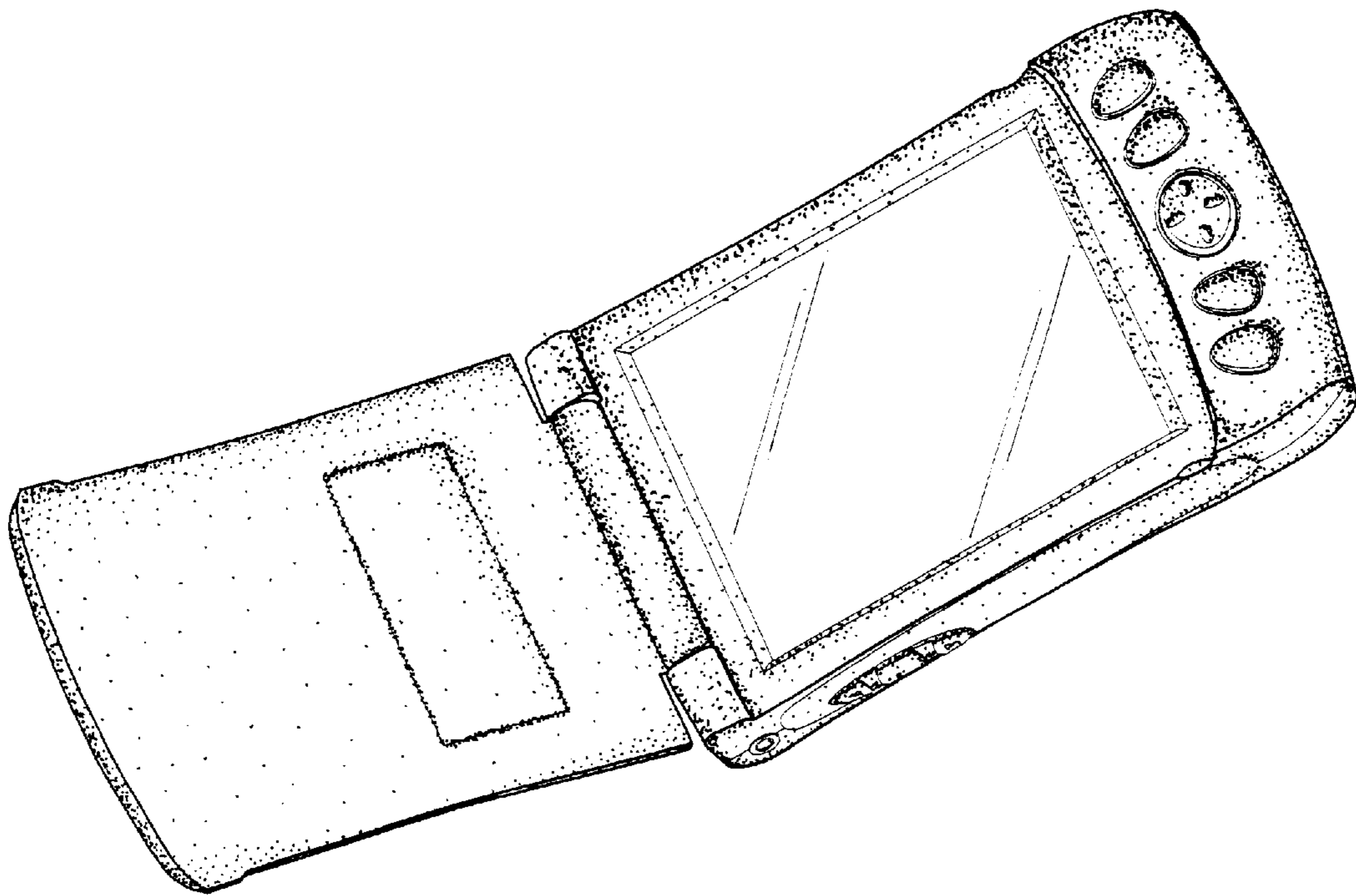


FIG. 8