



US00D446195S

(12) **United States Design Patent**
Chamberlain et al.

(10) **Patent No.:** **US D446,195 S**

(45) **Date of Patent:** **** Aug. 7, 2001**

(54) **PERSONAL COMMUNICATION DEVICE**

(75) Inventors: **William Chamberlain**, Palatine;
Steven P. Fragassi, Winthrop Harbor;
Stephen J. Gaynes, Wonder Lake;
Anthony A. Mirabelli, Arlington Heights;
Erin M. Napolitano, Chicago;
John C. Whiteman, Forest Park, all of IL (US)

(73) Assignee: **Cobra Electronics Corporaton**, Chicago, IL (US)

(**) Term: **14 Years**

(21) Appl. No.: **29/128,881**

(22) Filed: **Aug. 31, 2000**

(51) **LOC (7) Cl.** **14-03**

(52) **U.S. Cl.** **D14/137**

(58) **Field of Search** D14/137, 138,
D14/218, 147-148, 247-248, 159, 144,
249, 155, 341-347, 191; 379/433.434, 419,
420, 428, 440; 455/550-575, 90, 347-349

(56) **References Cited**

U.S. PATENT DOCUMENTS

| | | | | | |
|------------|---|---------|----------------|-------|---------|
| D. 295,404 | * | 4/1988 | Tokiyama | | D14/137 |
| D. 321,877 | | 11/1991 | Scheid et al. | | D14/191 |
| D. 340,927 | * | 11/1993 | Goatman | | D14/137 |
| D. 361,328 | | 8/1995 | White | | D14/138 |
| D. 371,781 | * | 7/1996 | Nowak et al. | | D14/137 |
| D. 387,758 | * | 12/1997 | Oross et al. | | D14/137 |
| D. 389,827 | * | 1/1998 | Oross et al. | | D14/137 |
| D. 395,433 | * | 6/1998 | Kee | | D14/192 |
| D. 395,882 | * | 7/1998 | Oross et al. | | D14/137 |
| D. 406,134 | * | 2/1999 | Bogand | | D14/138 |
| D. 408,396 | * | 4/1999 | Tyneski et al. | | D14/137 |
| D. 412,501 | * | 8/1999 | Tyneski et al. | | D14/137 |
| D. 416,016 | * | 11/1999 | Hughes et al. | | D14/147 |
| D. 416,252 | * | 11/1999 | Haase et al. | | D14/137 |
| D. 416,893 | * | 11/1999 | Tyneski et al. | | D14/137 |
| D. 421,261 | * | 2/2000 | Heuel | | D14/191 |

| | | | | | |
|------------|---|---------|----------------|-------|-----------|
| D. 421,435 | * | 3/2000 | Haase et al. | | D14/137 |
| D. 428,866 | * | 8/2000 | You | | D14/137 |
| D. 429,708 | * | 8/2000 | Kodera et al. | | D14/138 |
| D. 430,126 | * | 8/2000 | Lee | | D14/137 |
| D. 433,001 | * | 10/2000 | Haase et al. | | D14/137 |
| D. 433,395 | * | 11/2000 | Wong | | D14/137 |
| D. 433,396 | * | 11/2000 | Wong | | D14/137 |
| D. 434,017 | * | 11/2000 | Warren et al. | | D14/138 |
| 5,276,916 | | 1/1994 | Pawlish et al. | | D14/138 X |

OTHER PUBLICATIONS

Picture of Motorola Talkabout Two-Way Radio prior to Oct. 5, 1998.

Picture of Cobra Model HH45WX prior to Oct. 5, 1998.

Picture of Kenwood Model UBZ-LF14 prior to Oct. 5, 1998.

Picture of Radio Shack Model TRC-234 prior to Oct. 5, 1998.

Photocopy of 2-way personal radio from Radio Shack Catalog 56, copyright 1998.

Photocopy of 2-way personal radio from Radio Schck Catalog 57, copyright 1998.

* cited by examiner

Primary Examiner—Jeffrey Asch

(74) *Attorney, Agent, or Firm*—Wallenstein & Wagner

(57) **CLAIM**

The ornamental design for a “personal communication device”, as shown and described.

DESCRIPTION

FIG. 1 is a perspective view of a personal communication device showing our new design;

FIG. 2 is a reduced side elevational view thereof;

FIG. 3 is a reduced front elevational view thereof;

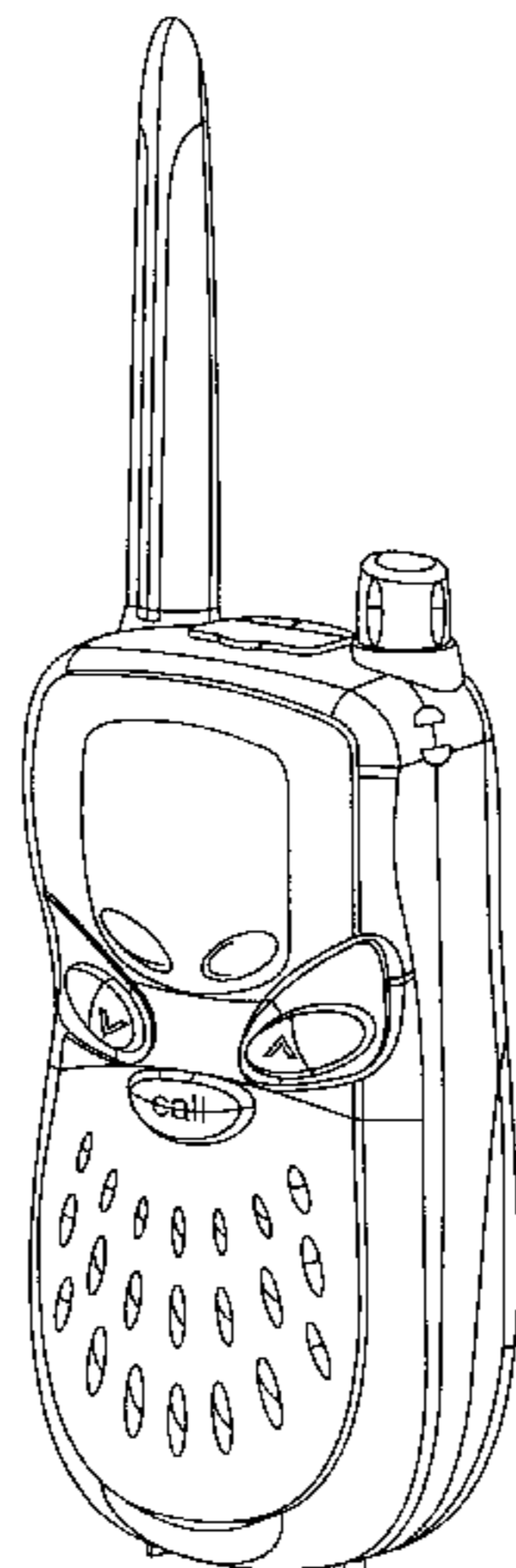
FIG. 4 is a reduced rear elevational view thereof;

FIG. 5 is a reduced bottom plan view thereof;

FIG. 6 is a reduced top plan view thereof; and,

FIG. 7 is a reduced side elevational view thereof.

1 Claim, 3 Drawing Sheets



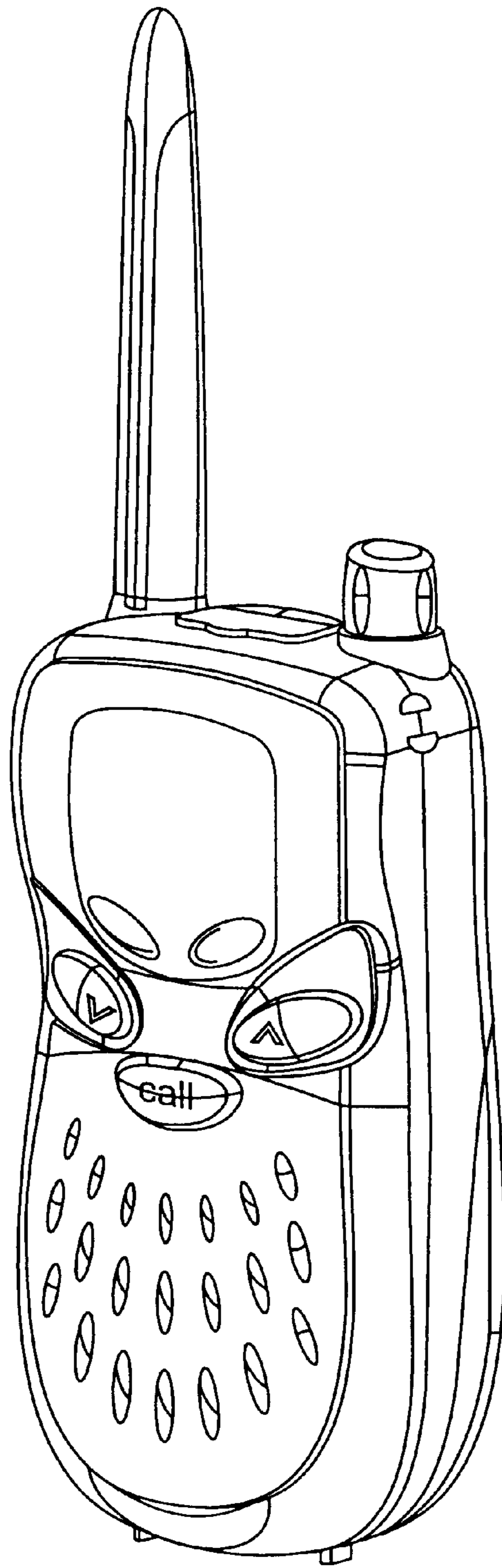


FIG. 1

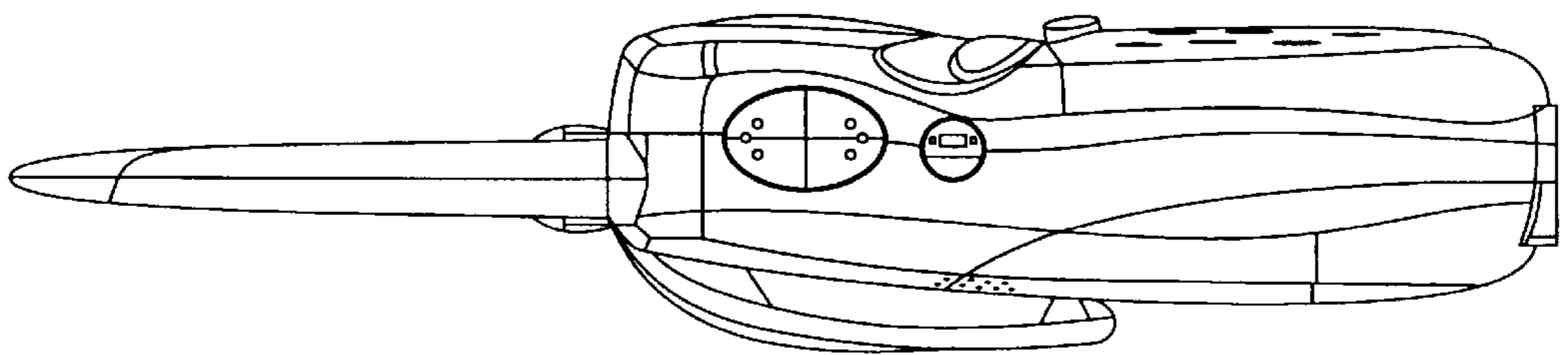


FIG. 2

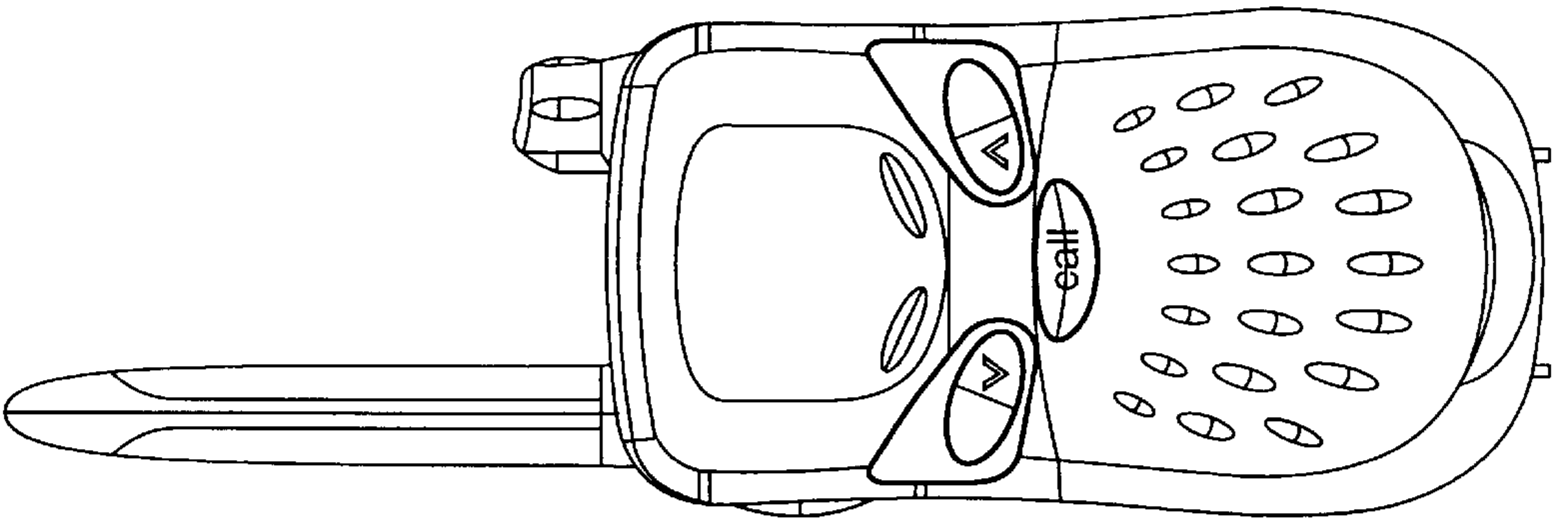


FIG. 3

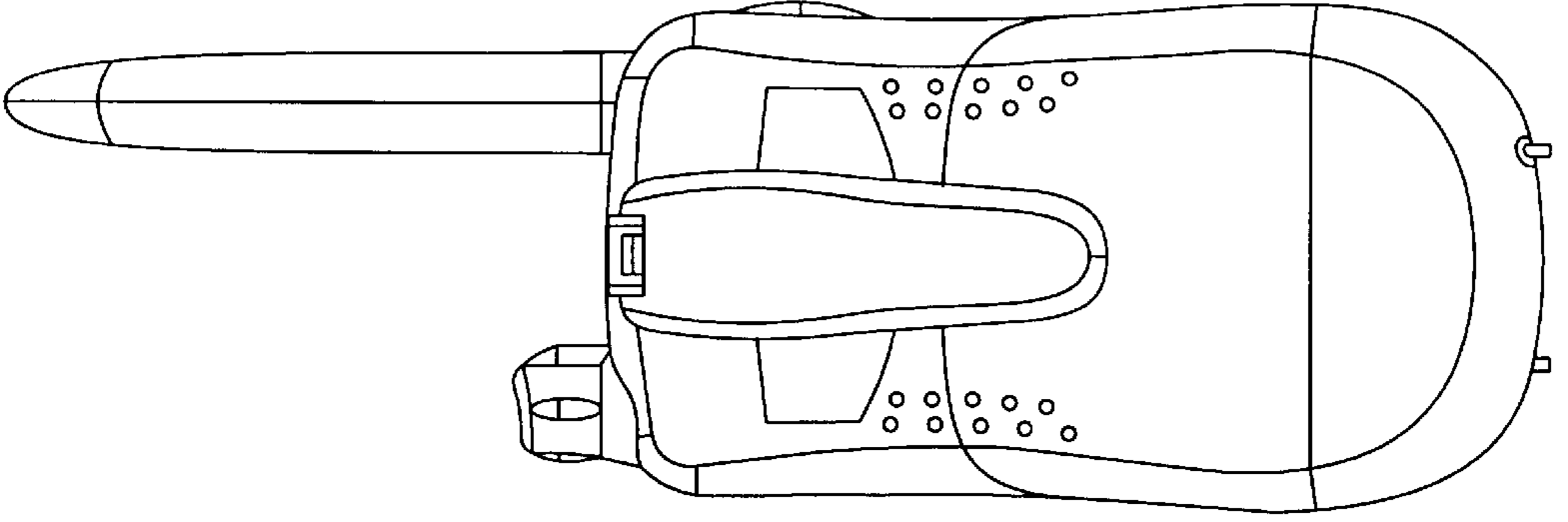


FIG. 4

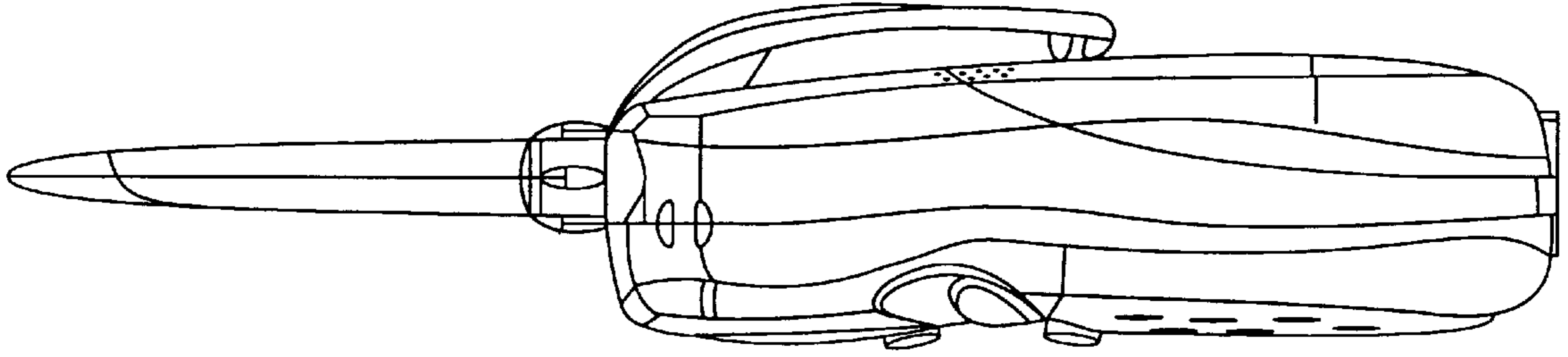


FIG. 7

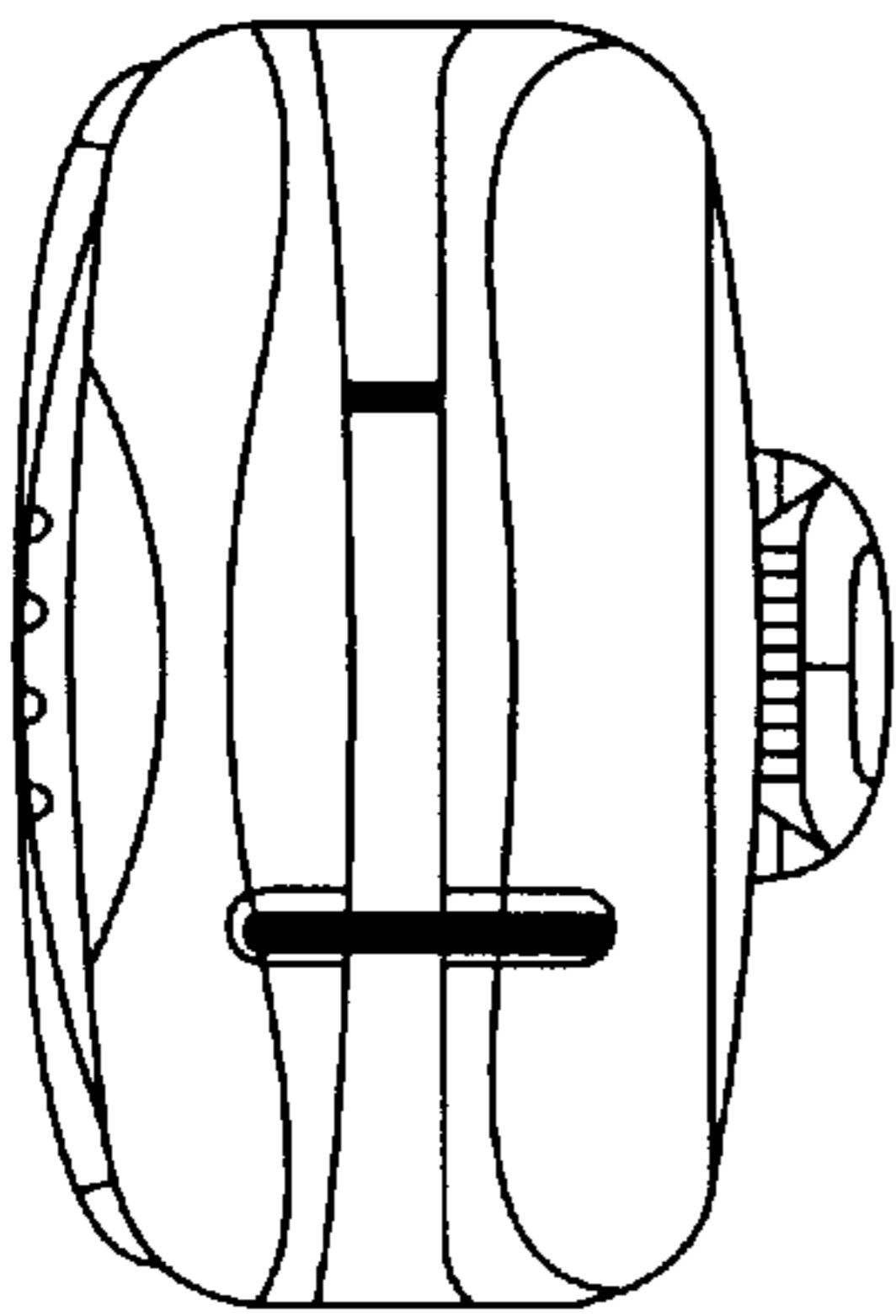


FIG. 5

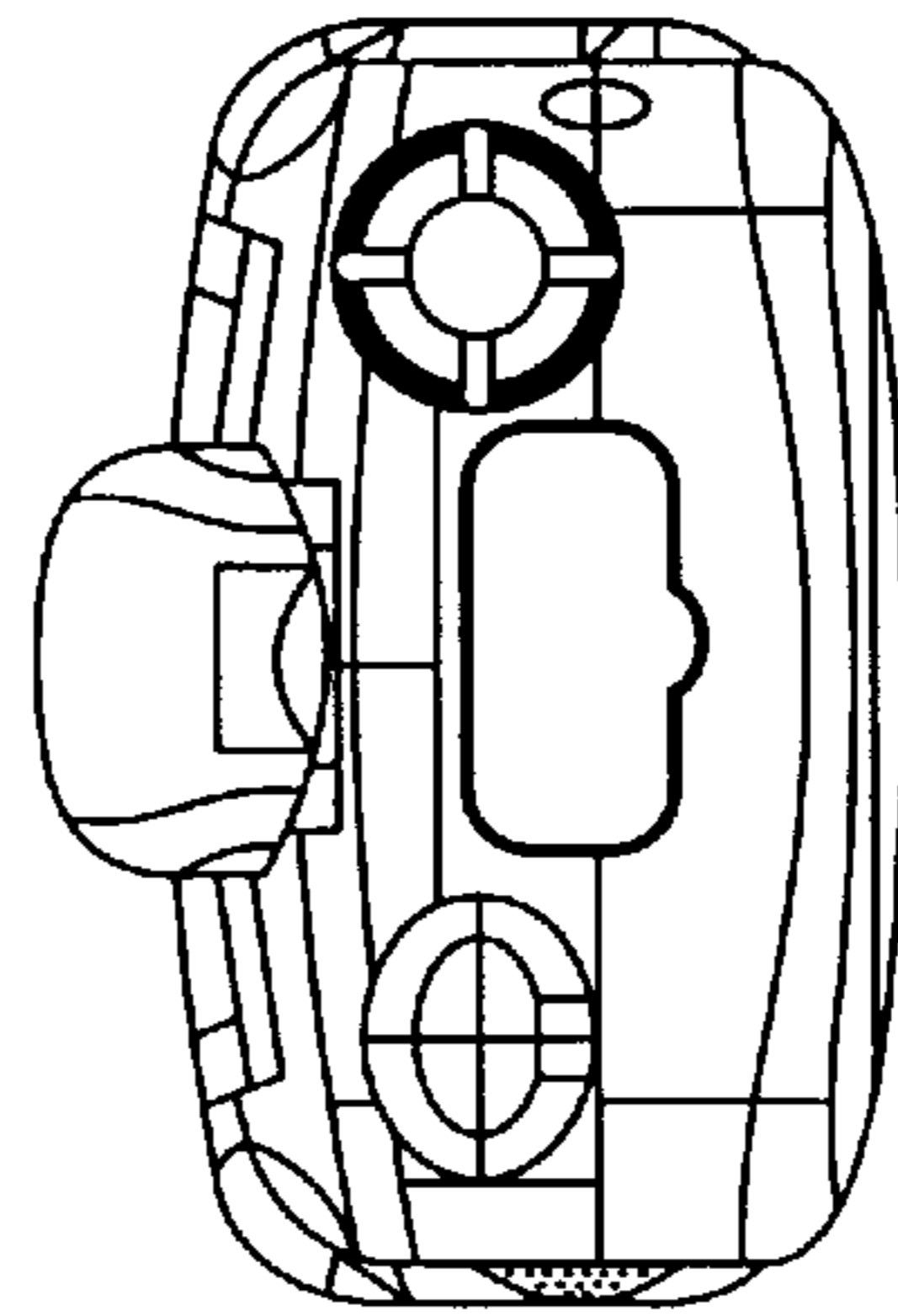


FIG. 6