



US00D446194S

(12) **United States Design Patent**
Yamazaki et al.

(10) **Patent No.:** **US D446,194 S**

(45) **Date of Patent:** **** Aug. 7, 2001**

(54) **VIDEO TAPE RECORDER**

(75) Inventors: **Akira Yamazaki; Kaori Kobayashi,**
both of Tokyo (JP)

(73) Assignee: **Sony Corporation,** Tokyo (JP)

(**) Term: **14 Years**

(21) Appl. No.: **29/131,702**

(22) Filed: **Oct. 27, 2000**

(51) **LOC (7) Cl.** **14-01**

(52) **U.S. Cl.** **D14/135**

(58) **Field of Search** D14/135-136,
D14/156-157, 160-162, 164, 167-168,
188, 197-198; 312/7.1; 369/75.1, 75.2,
77.1, 77.2

(56) **References Cited**

U.S. PATENT DOCUMENTS

D. 323,500 * 1/1992 Jung et al. D14/136 X
D. 410,236 * 5/1999 Kanatani D14/156

D. 414,183 * 9/1999 Honjo D14/156

D. 423,008 4/2000 Shintani D14/168

D. 430,131 8/2000 Yasutomi et al. D14/156

* cited by examiner

Primary Examiner—Nanda Bondade

(74) *Attorney, Agent, or Firm*—Rader, Fishman & Grauer,
PLLC

(57) **CLAIM**

The ornamental design for a video tape recorder, as shown
and described.

DESCRIPTION

FIG. 1 is a perspective view of a video tape recorder
showing our design;

FIG. 2 is a top plan view thereof;

FIG. 3 is a bottom plan view thereof;

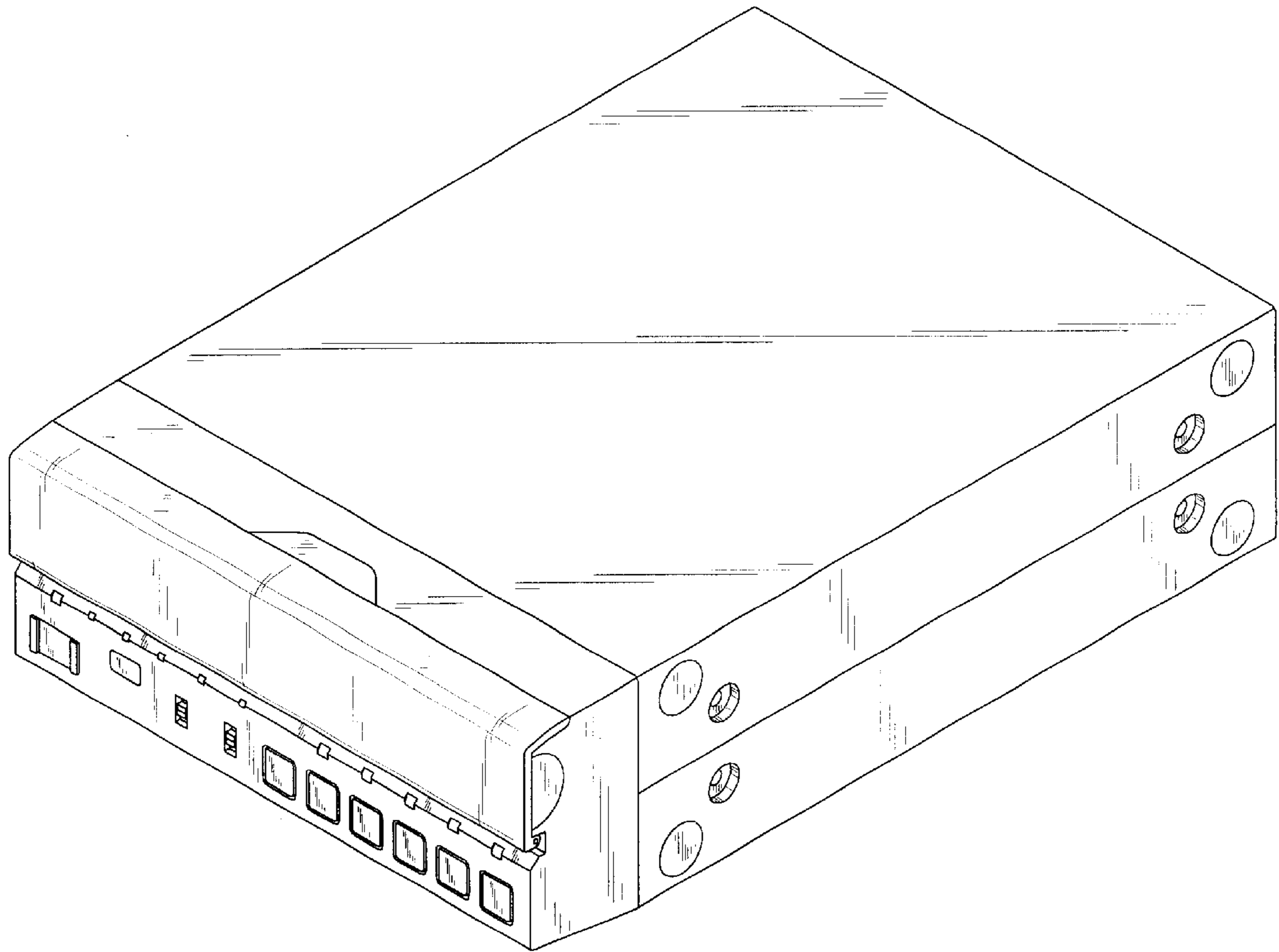
FIG. 4 is a left side elevational view thereof;

FIG. 5 is a right side elevational view thereof;

FIG. 6 is a front elevational view thereof; and,

FIG. 7 is a rear elevational view thereof.

1 Claim, 5 Drawing Sheets



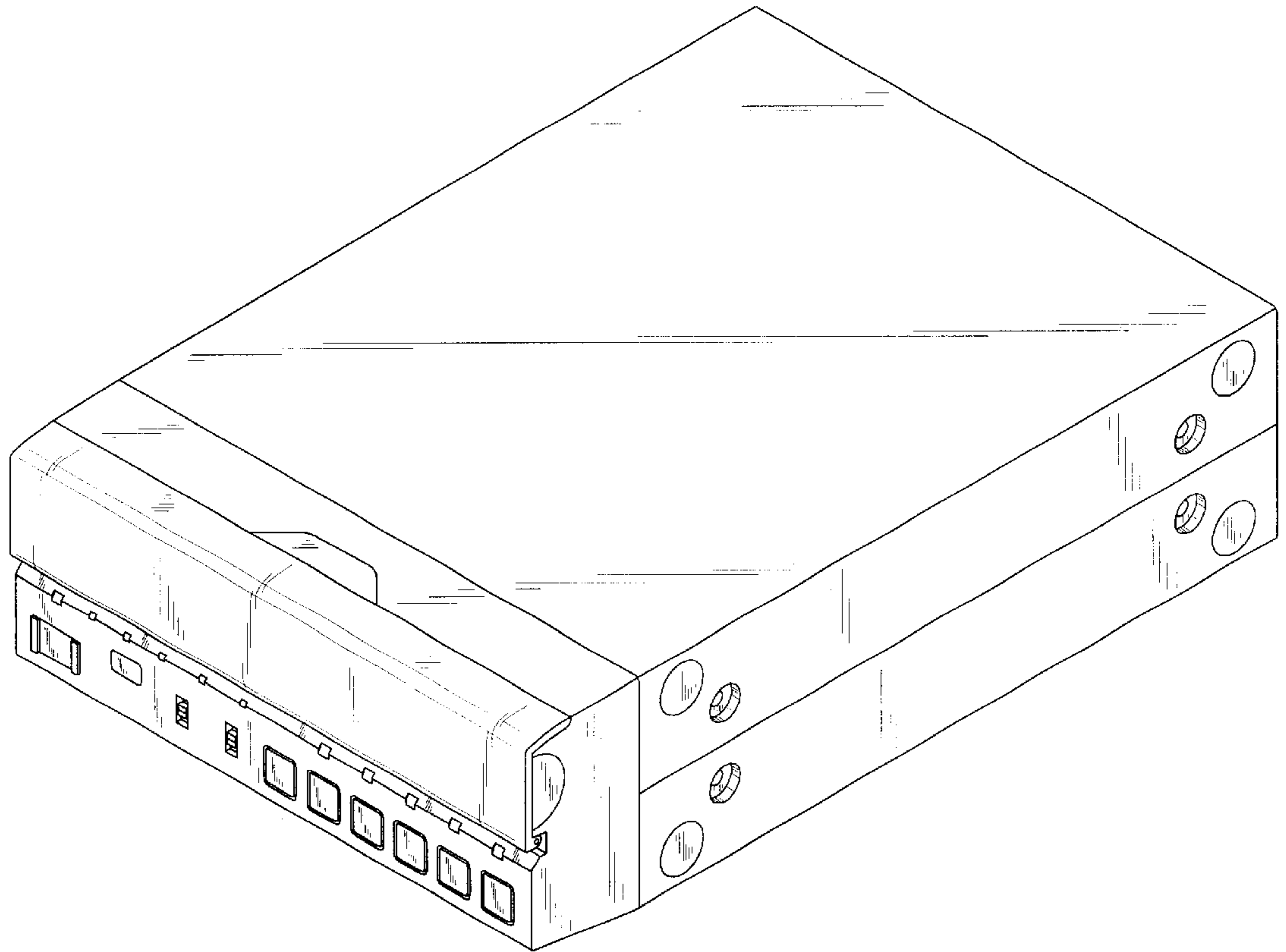


Fig. 1

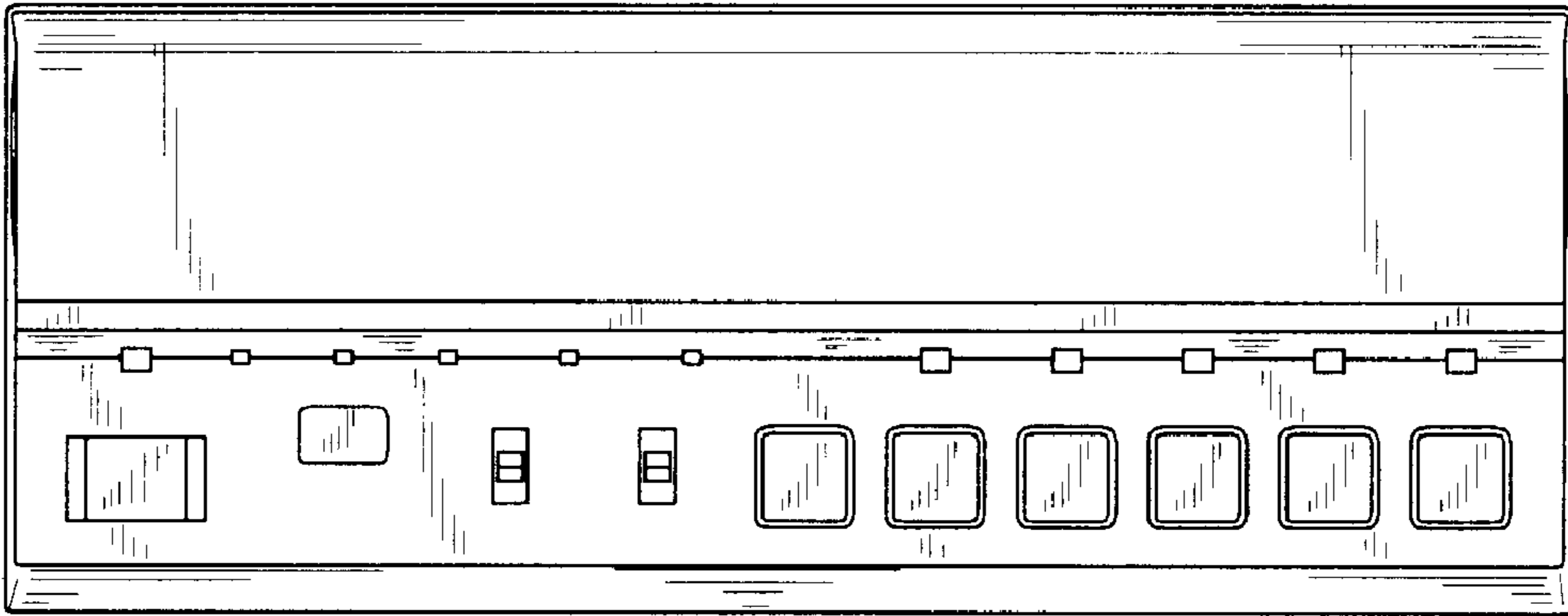


Fig. 2

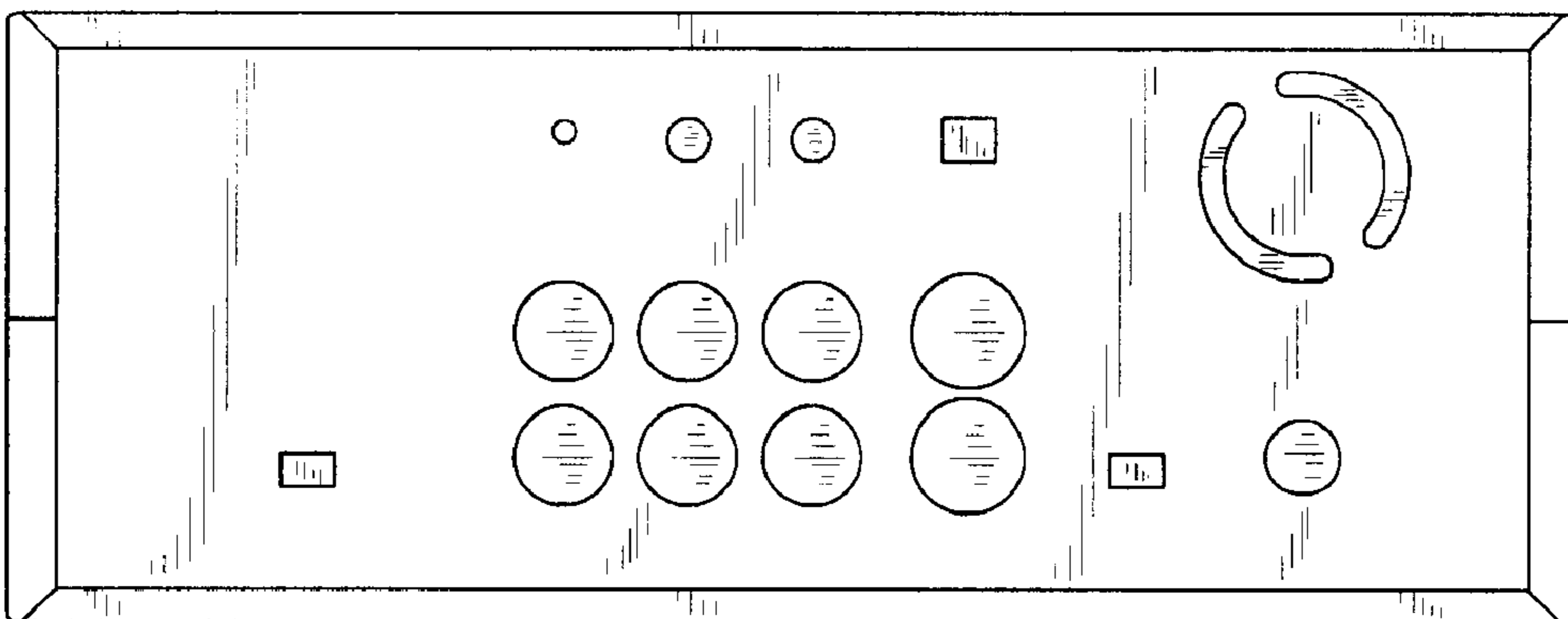


Fig. 3

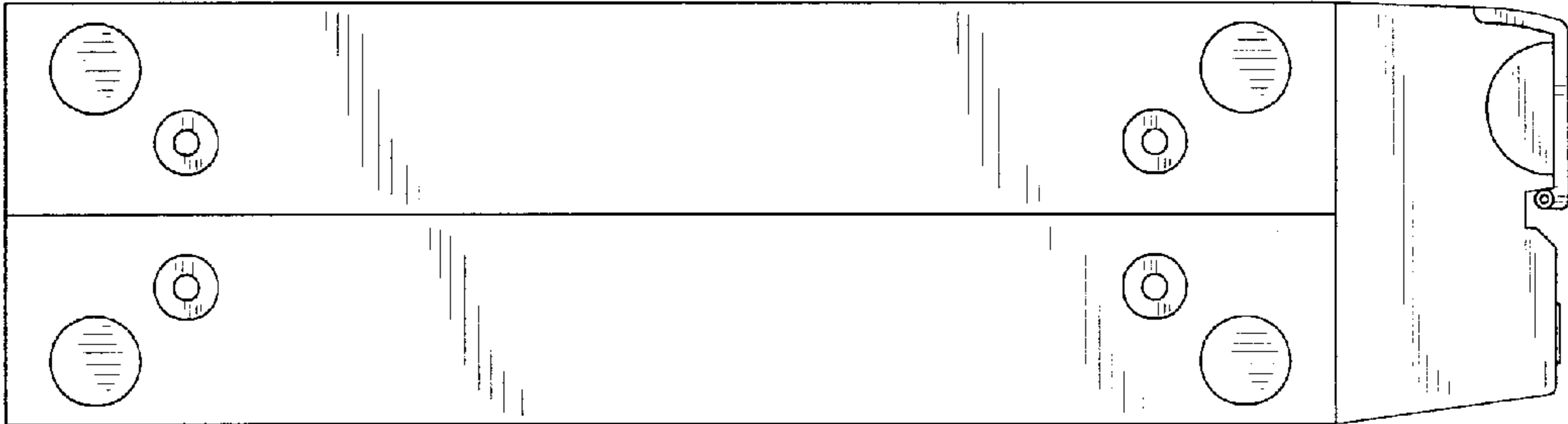


Fig. 4

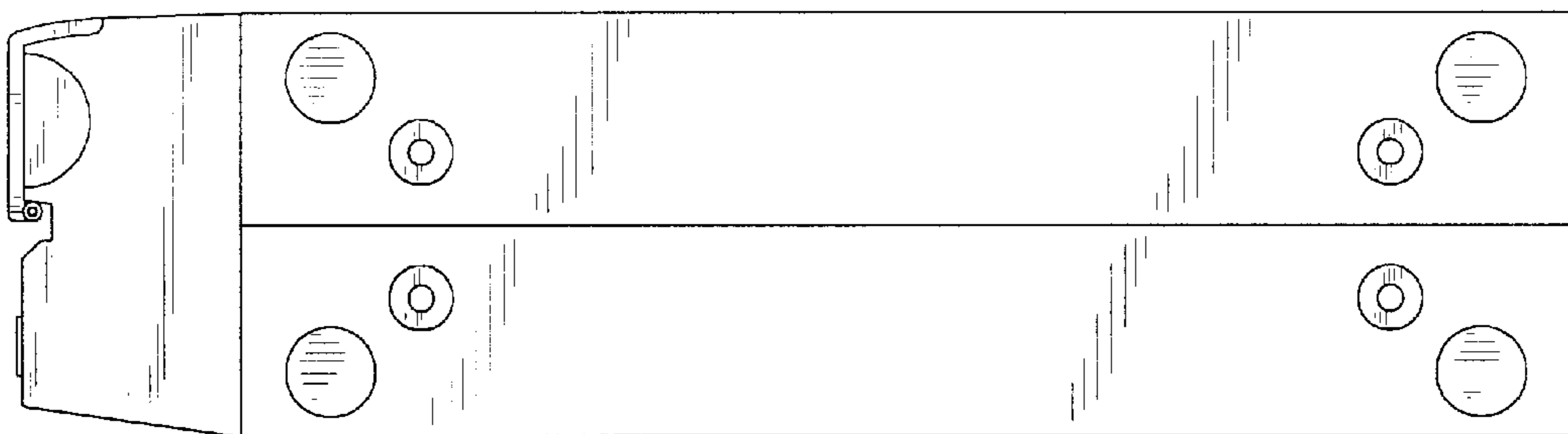


Fig. 5

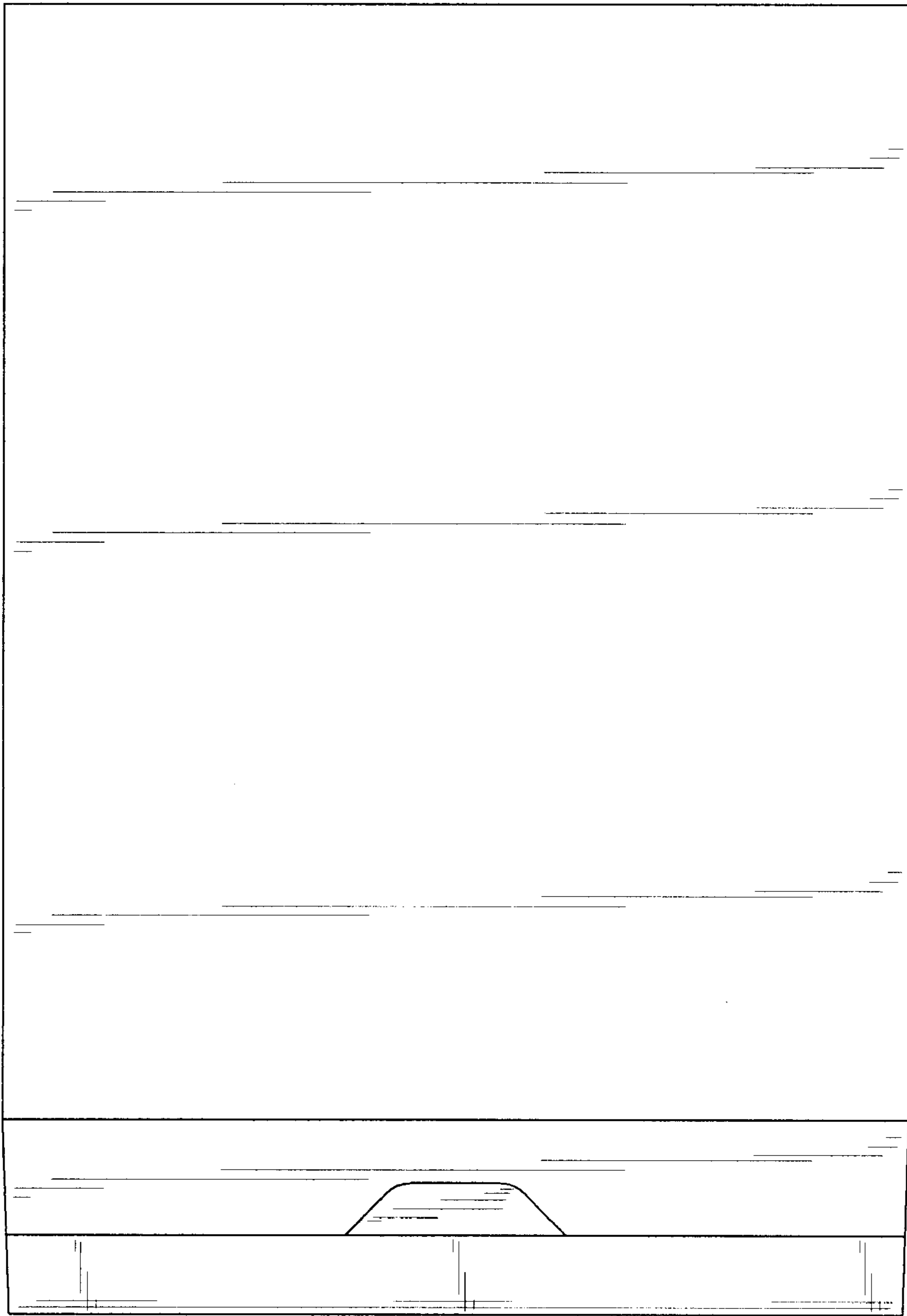


Fig. 6

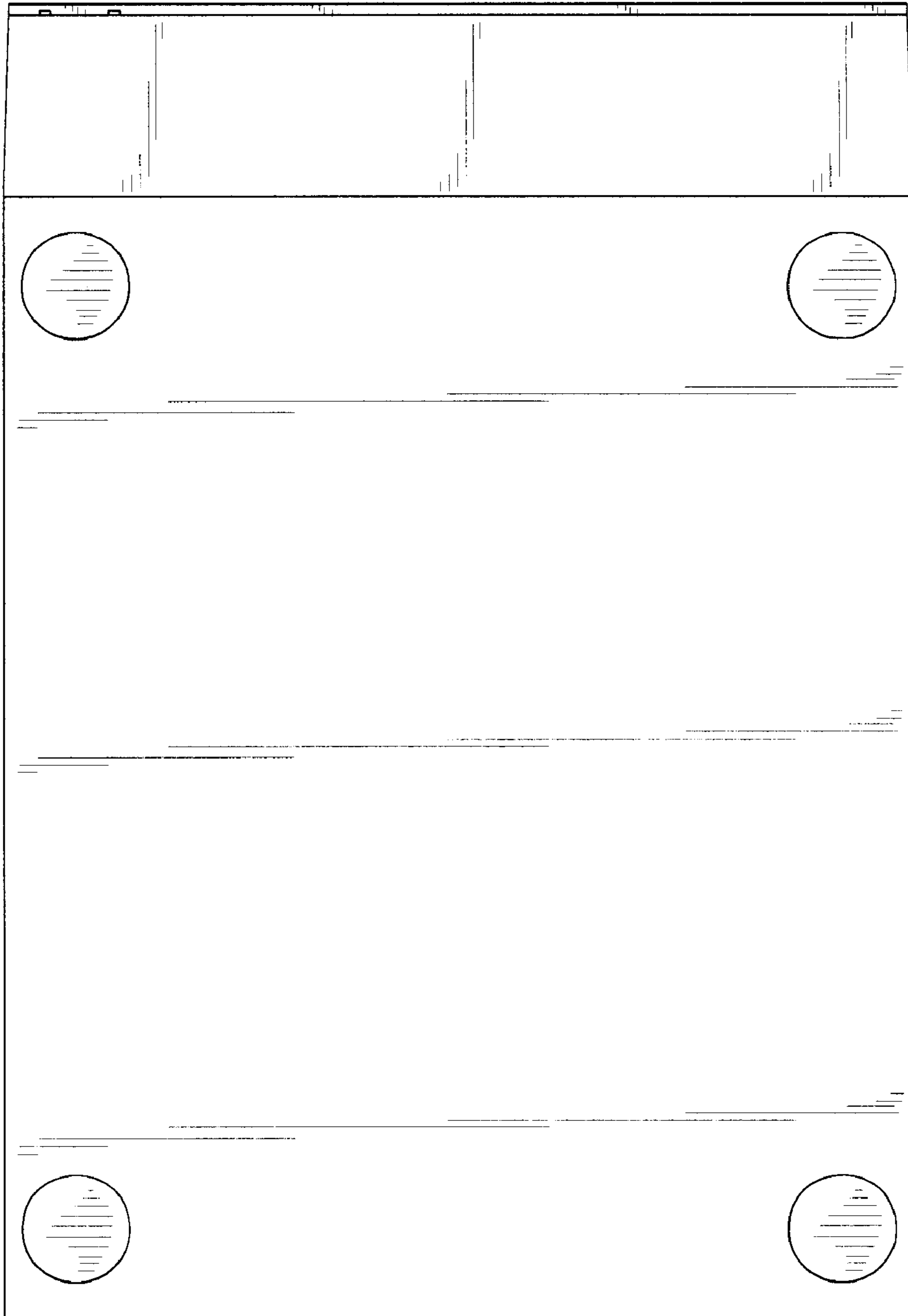


Fig. 7