



US00D446192S

(12) **United States Design Patent**  
**Wallace**

(10) **Patent No.:** **US D446,192 S**

(45) **Date of Patent:** **\*\* Aug. 7, 2001**

(54) **CABLE FUSE PROTECTOR WITH  
TRANSPARENT HOUSING**

4,808,963 \* 2/1989 Stunzi et al. .... 337/186 X

**FOREIGN PATENT DOCUMENTS**

(76) Inventor: **Gary Wallace**, 223 Peachtree St.,  
Apartment #1, Statesboro, GA (US)  
30458

515364 \* 8/1955 (CA) ..... 337/201

\* cited by examiner

(\*\*) Term: **14 Years**

*Primary Examiner*—Joel Sincavage

(74) *Attorney, Agent, or Firm*—H. Jay Spiegel

(21) Appl. No.: **29/019,350**

(57) **CLAIM**

(22) Filed: **Mar. 1, 1994**

The ornamental design for a cable fuse protector with transparent housing, as shown and described.

(51) **LOC (7) Cl.** ..... **13-03**

(52) **U.S. Cl.** ..... **D13/178**

(58) **Field of Search** ..... D13/160, 161;  
337/158, 159, 186; 361/120; 439/621

**DESCRIPTION**

FIG. 1 shows a top view of the present invention, with portions cut away to reveal the fuse inside. The broken line showing of the fuse and the accompanying connectors is included for the purpose of illustrating environmental structure only and forms no part of the claimed design.

FIG. 2 shows a bottom view of the present invention.

FIG. 3 shows a front view of the present invention.

FIG. 4 shows a rear view of the present invention.

FIG. 5 shows a front perspective view of my claimed design; and,

FIG. 6 shows a rear perspective view of my claimed design.

(56) **References Cited**

**U.S. PATENT DOCUMENTS**

D. 326,845	*	6/1992	Katz et al. ....	D13/160
D. 336,463	*	6/1993	Nimpoeno et al. ....	D13/161
3,432,789	*	3/1969	Poehlman, Jr. ....	D13/161 X
3,599,138	*	8/1971	Kozacka ....	337/159 X
3,699,491	*	10/1972	Vrabel et al. ....	337/158 X
3,723,930	*	3/1973	Koch ....	337/158
4,511,875	*	4/1985	Arikawa ....	D13/161 X
4,633,359	*	12/1986	Mickelson et al. ....	361/120 X
4,734,059	*	3/1988	Melugin ....	439/621

**1 Claim, 2 Drawing Sheets**

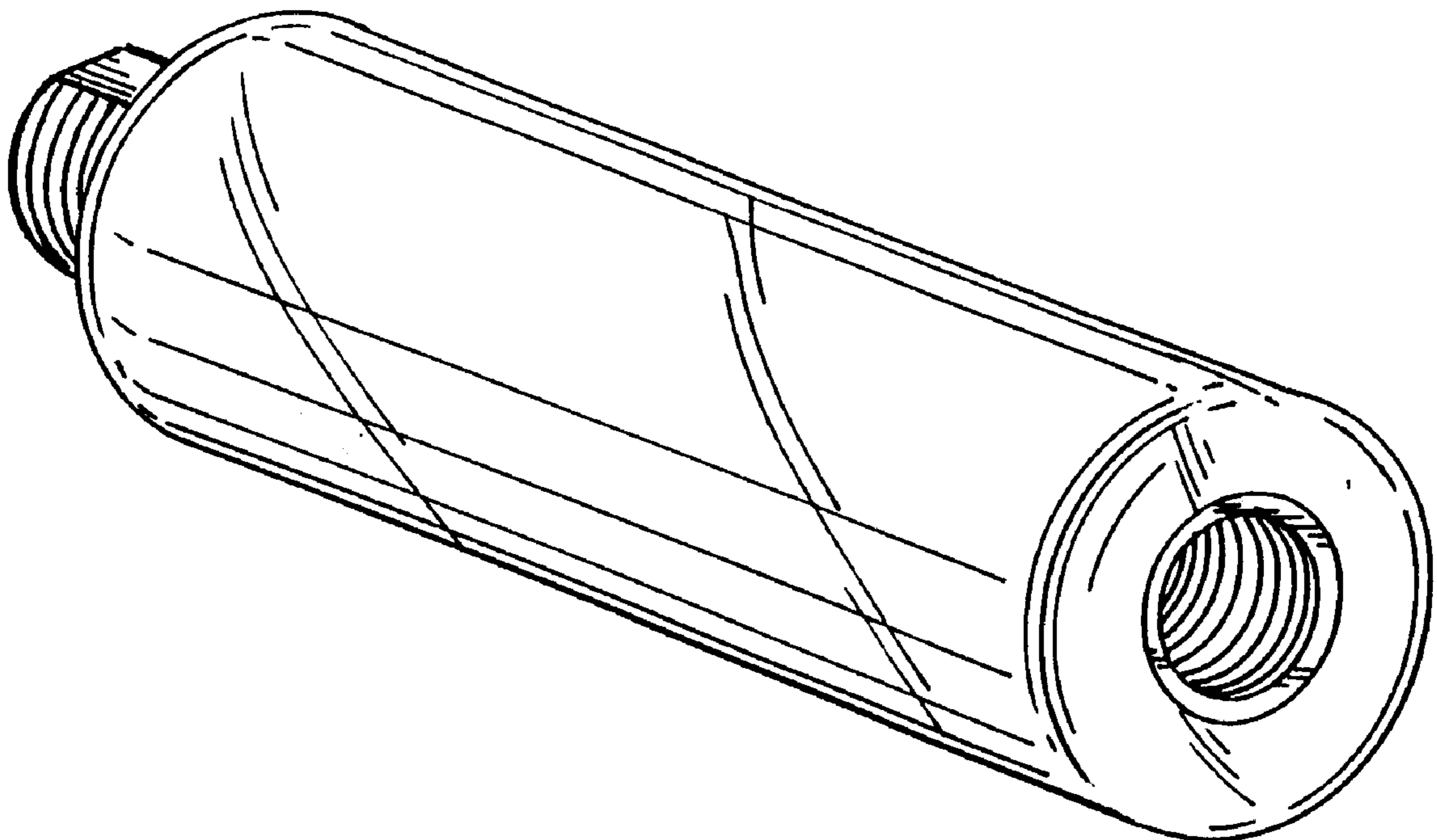


FIG. 1

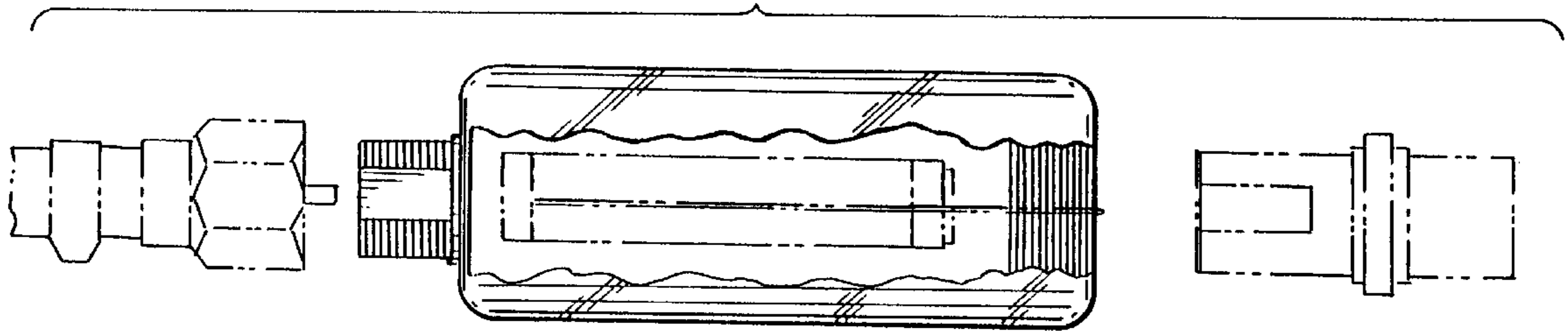


FIG. 2

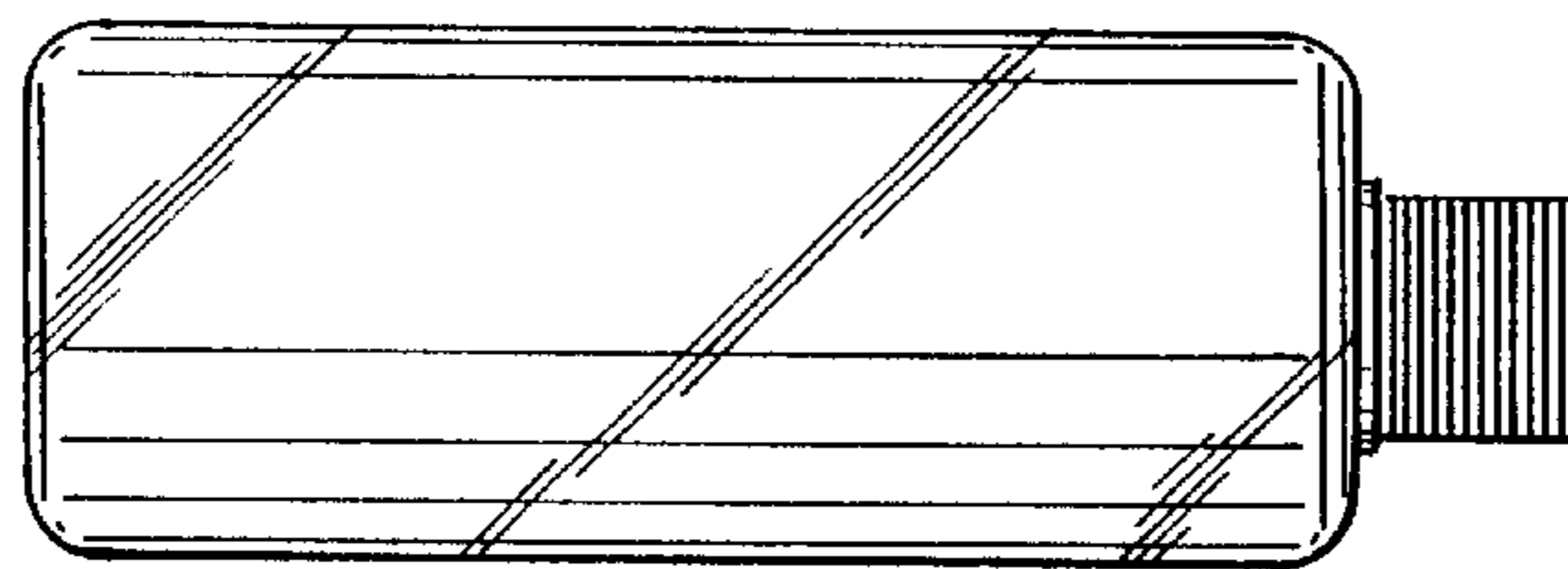


FIG. 3

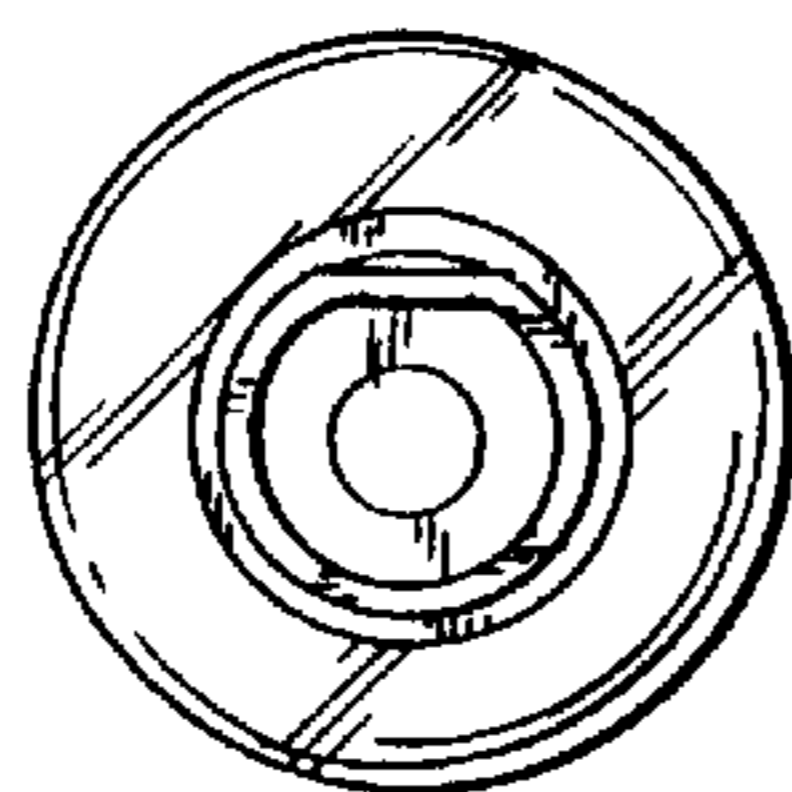
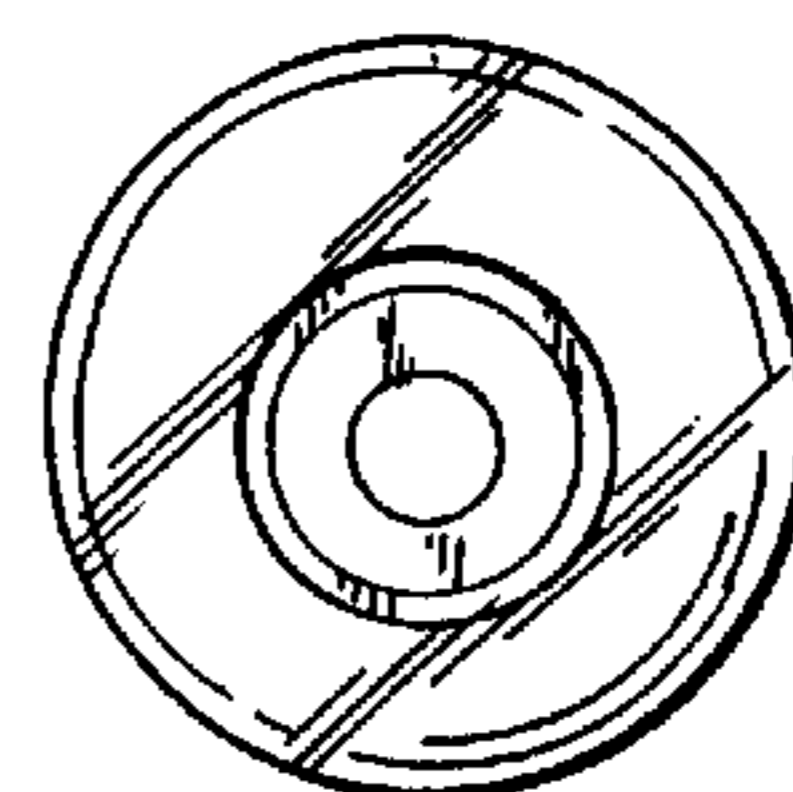
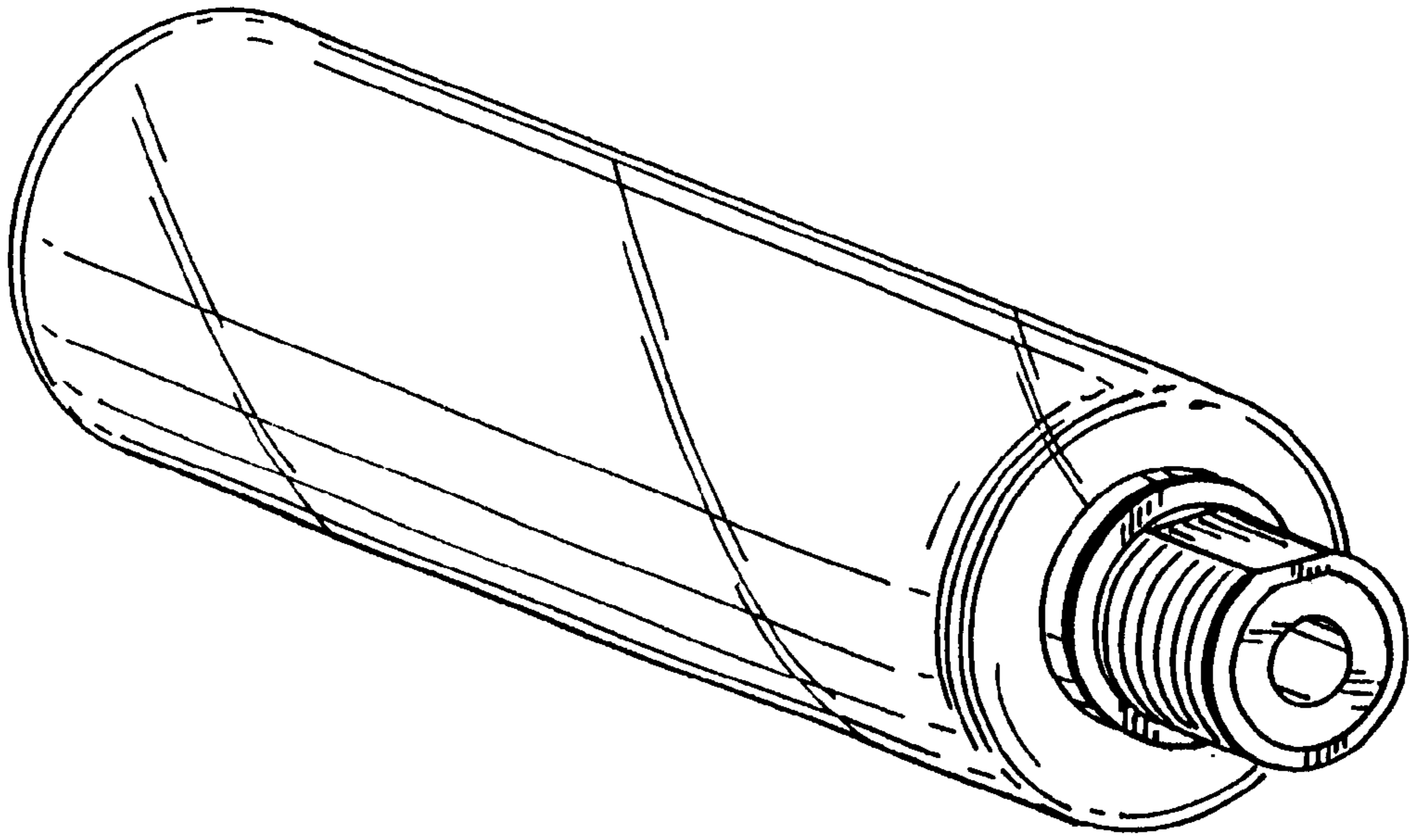


FIG. 4



**FIG. 5**



**FIG. 6**

