



US00D446190S

(12) **United States Design Patent**  
**Wakileh et al.**

(10) **Patent No.:** **US D446,190 S**

(45) **Date of Patent:** **\*\* Aug. 7, 2001**

(54) **FIBER OPTIC CABLE BEND RADIUS LIMITER**

(75) Inventors: **George I. Wakileh**, Chaska; **Frank E. Lowry**, Prior Lake, both of MN (US)

(73) Assignee: **Americable, Inc.**, Bloomington, MN (US)

(\*\*) Term: **14 Years**

(21) Appl. No.: **29/126,252**

(22) Filed: **Jul. 10, 2000**

(51) **LOC (7) Cl.** ..... **13-03**

(52) **U.S. Cl.** ..... **D13/155**

(58) **Field of Search** ..... D13/154, 155;  
385/134, 135, 136; 174/68.1, 68.3, 73.1,  
135, 94 R; 439/501

(56) **References Cited**

**U.S. PATENT DOCUMENTS**

Re. 34,955	5/1995	Anton et al. ....	385/53
D. 432,091 *	10/2000	Baum et al. ....	D13/155
5,066,149	11/1991	Wheeler et al. ....	385/135
5,093,885	3/1992	Anton .....	385/134
5,127,082	6/1992	Below et al. ....	385/135
5,208,894	5/1993	Johnson et al. ....	385/135
5,319,732 *	6/1994	James .....	385/135
5,758,003	5/1998	Wheeler et al. ....	385/134

5,898,129	4/1999	Ott et al. ....	174/59
5,917,982 *	6/1999	Vargas et al. ....	385/134
6,134,370 *	10/2000	Childers et al. ....	385/135
6,188,826 *	2/2001	Daoud .....	385/135

**OTHER PUBLICATIONS**

ADC Telecommunications, *Fiber Cable Management Products*, Third Edition, Jun. 1998, pp. 1-137.

\* cited by examiner

*Primary Examiner*—Susan J. Lucas

*Assistant Examiner*—Jennifer Rivard

(74) *Attorney, Agent, or Firm*—Kinney & Lange, P.A.

(57) **CLAIM**

The ornamental design for a fiber optic cable bend radius limiter, as shown and described.

**DESCRIPTION**

FIG. 1 is a perspective view of a fiber optic cable bend radius limiter of the present invention.

FIG. 2 is a top view thereof.

FIG. 3 is a front view thereof.

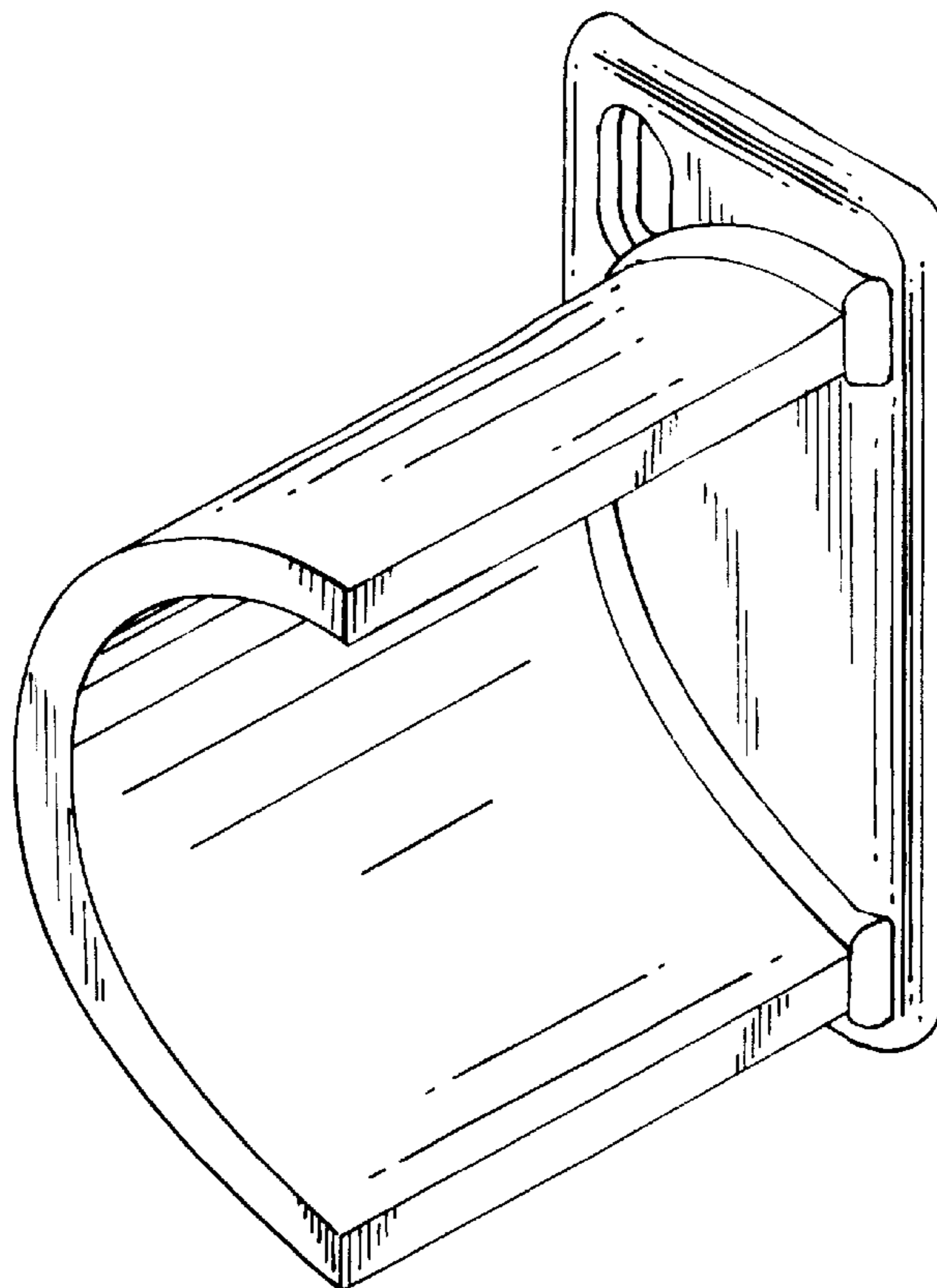
FIG. 4 is a side view thereof, from the left side of FIG. 3.

FIG. 5 is a side view thereof, from the right side of FIG. 3.

FIG. 6 is a rear view thereof; and,

FIG. 7 is a bottom view thereof.

**1 Claim, 2 Drawing Sheets**



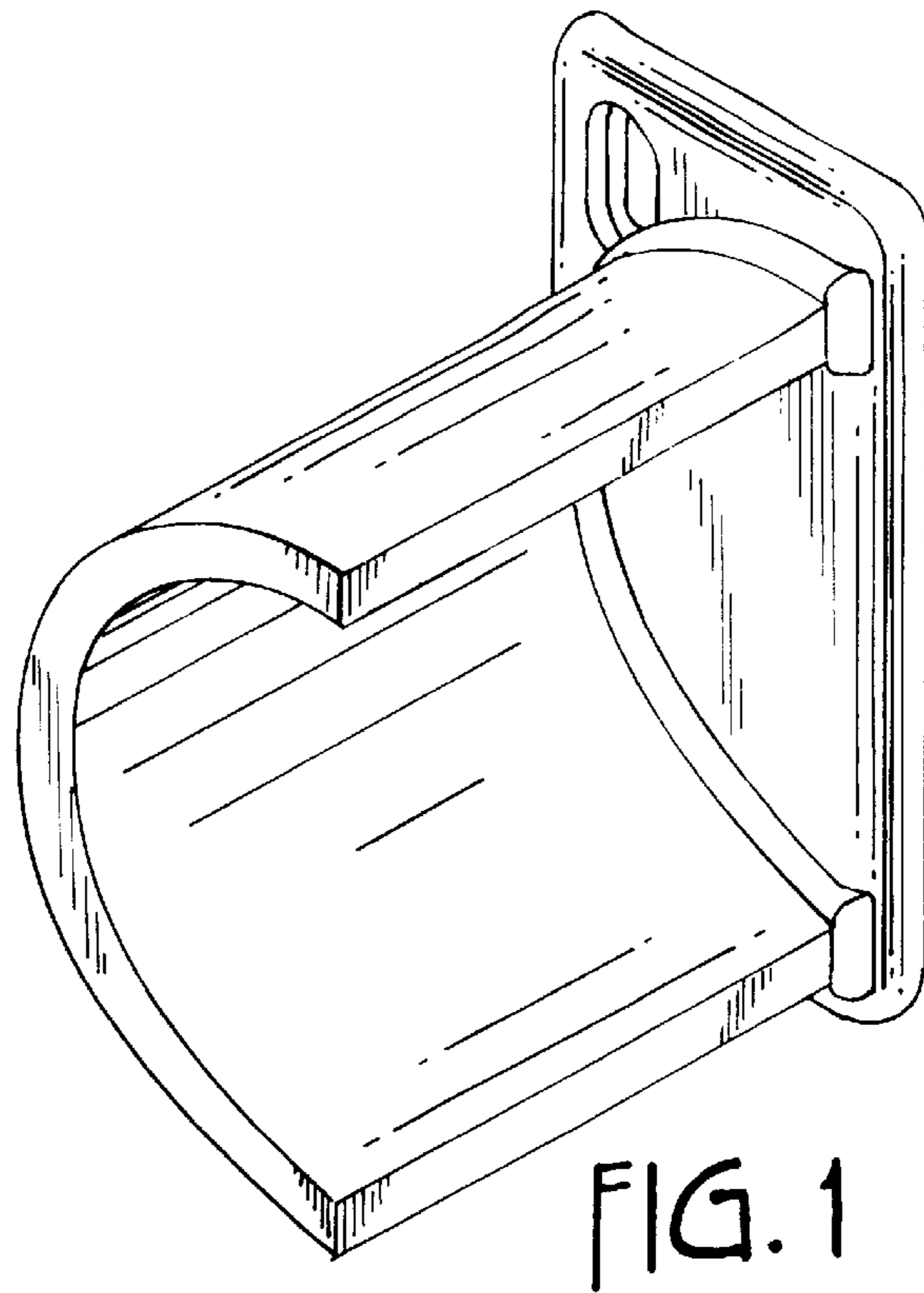


FIG. 1

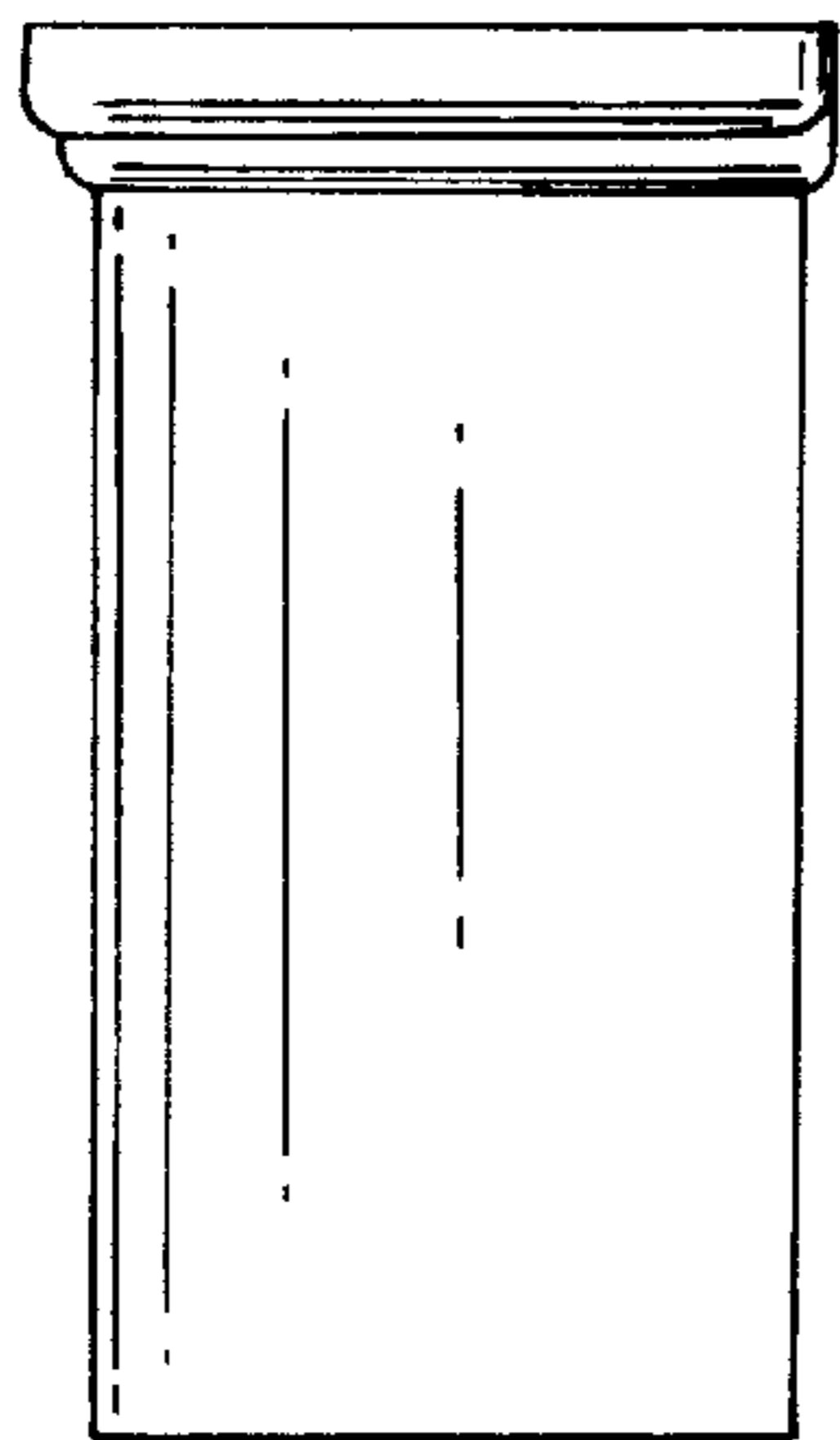


FIG. 2

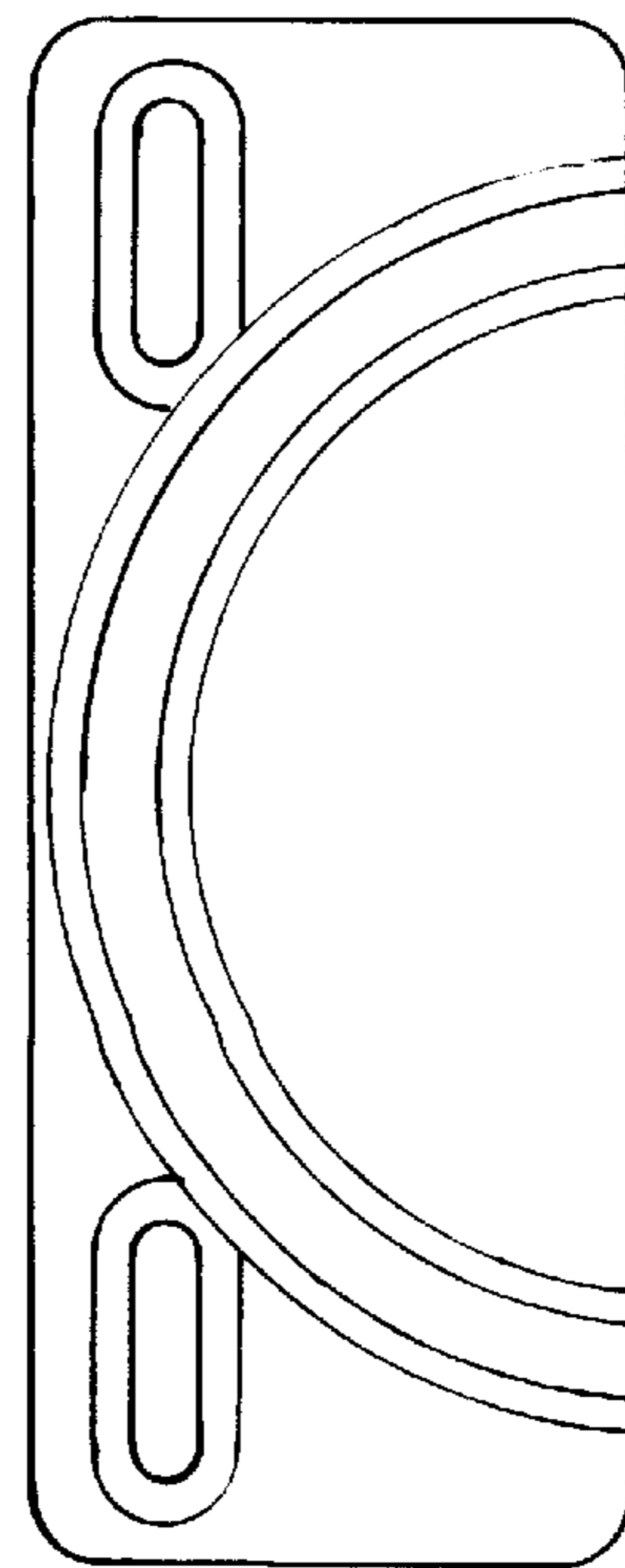


FIG. 3

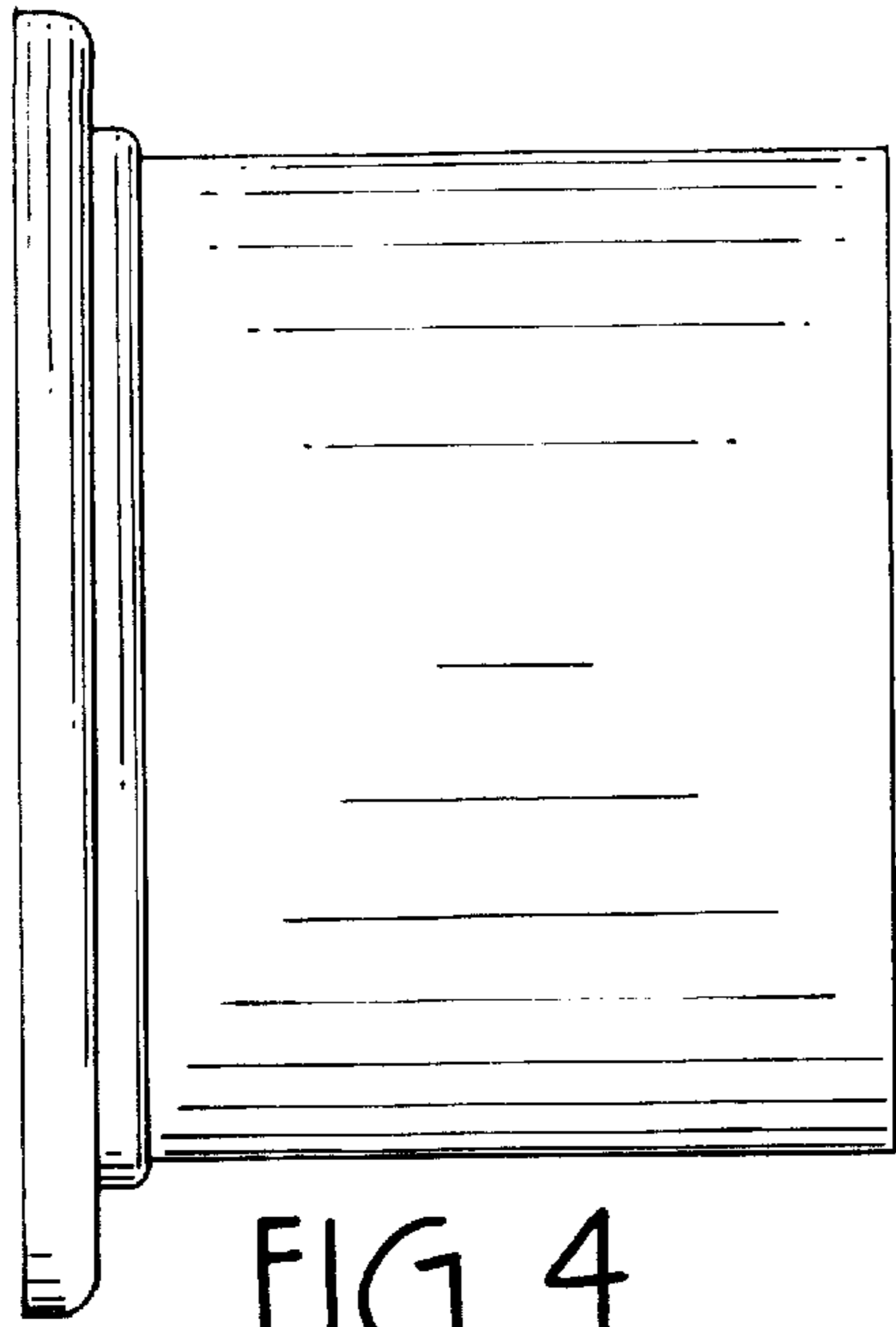


FIG. 4

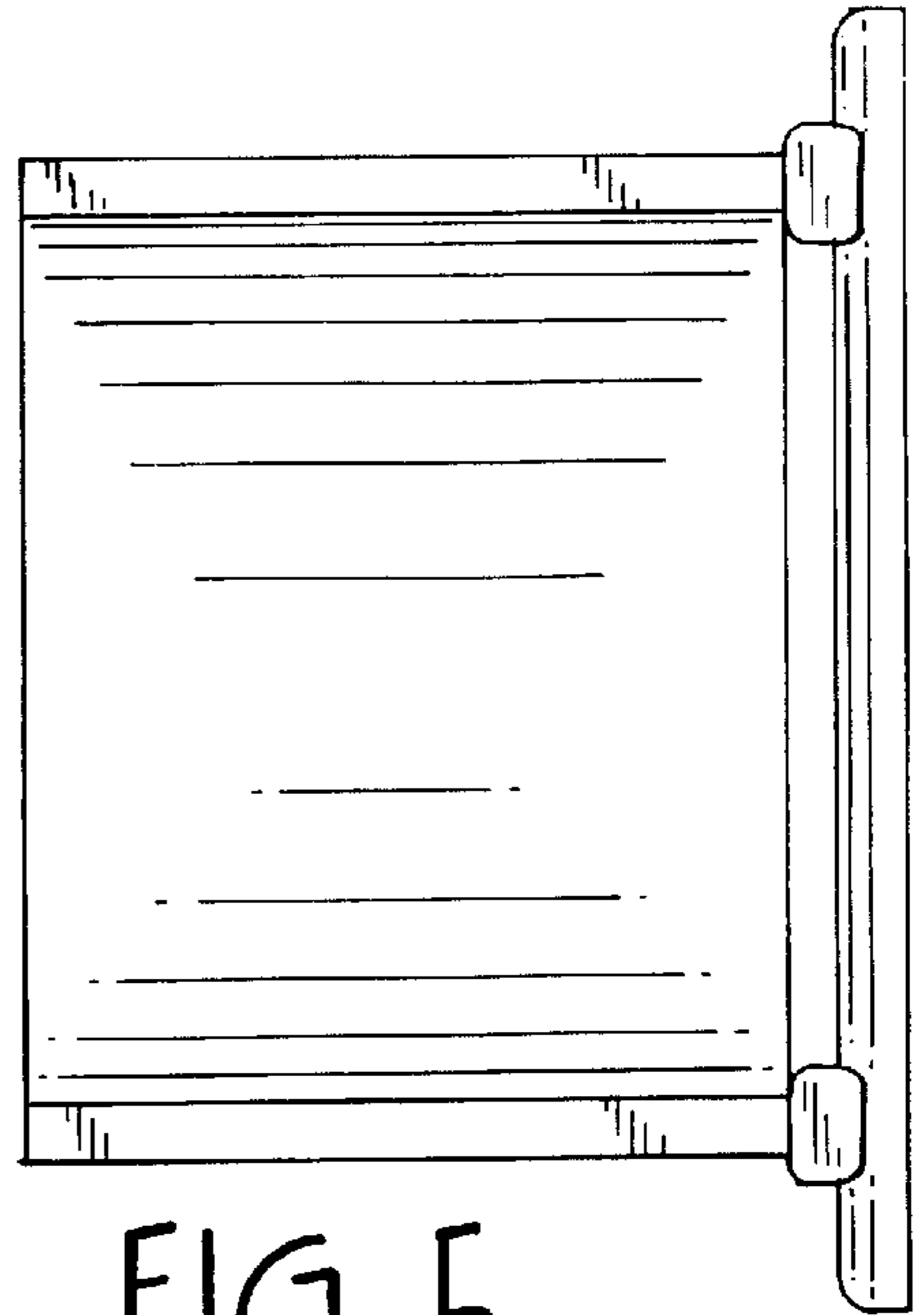


FIG. 5

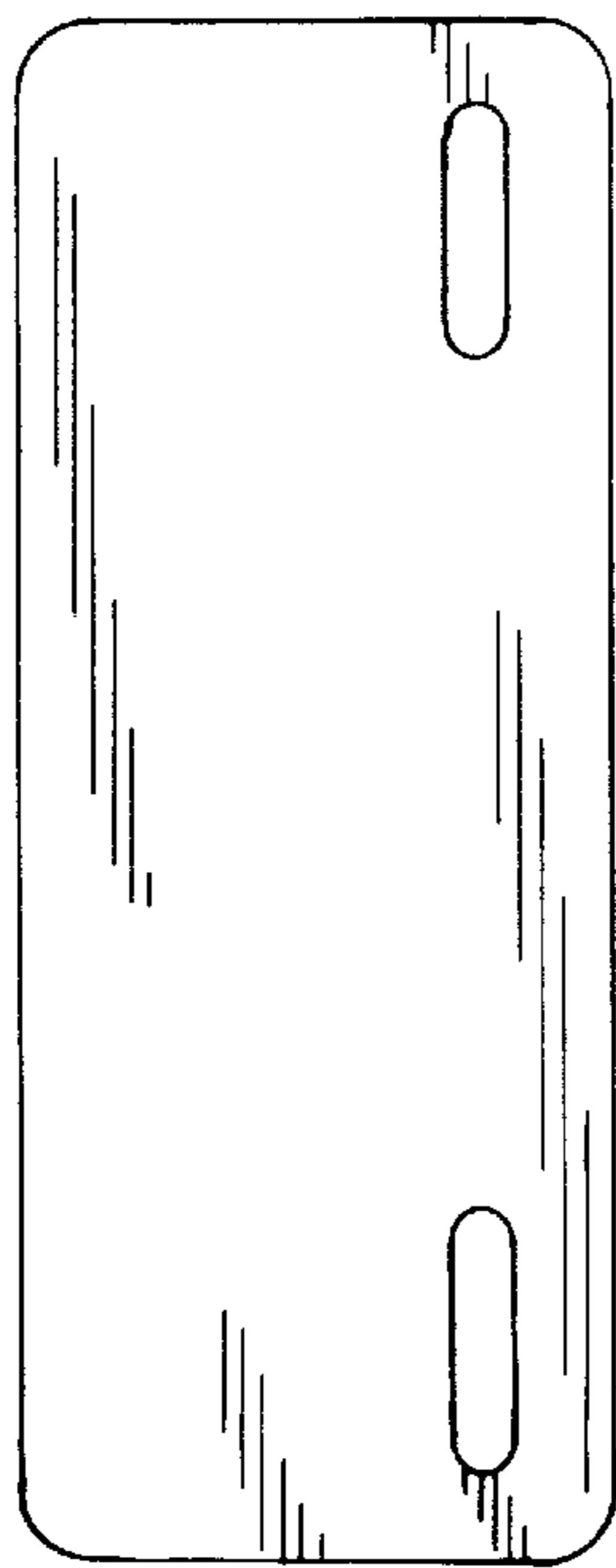


FIG. 6

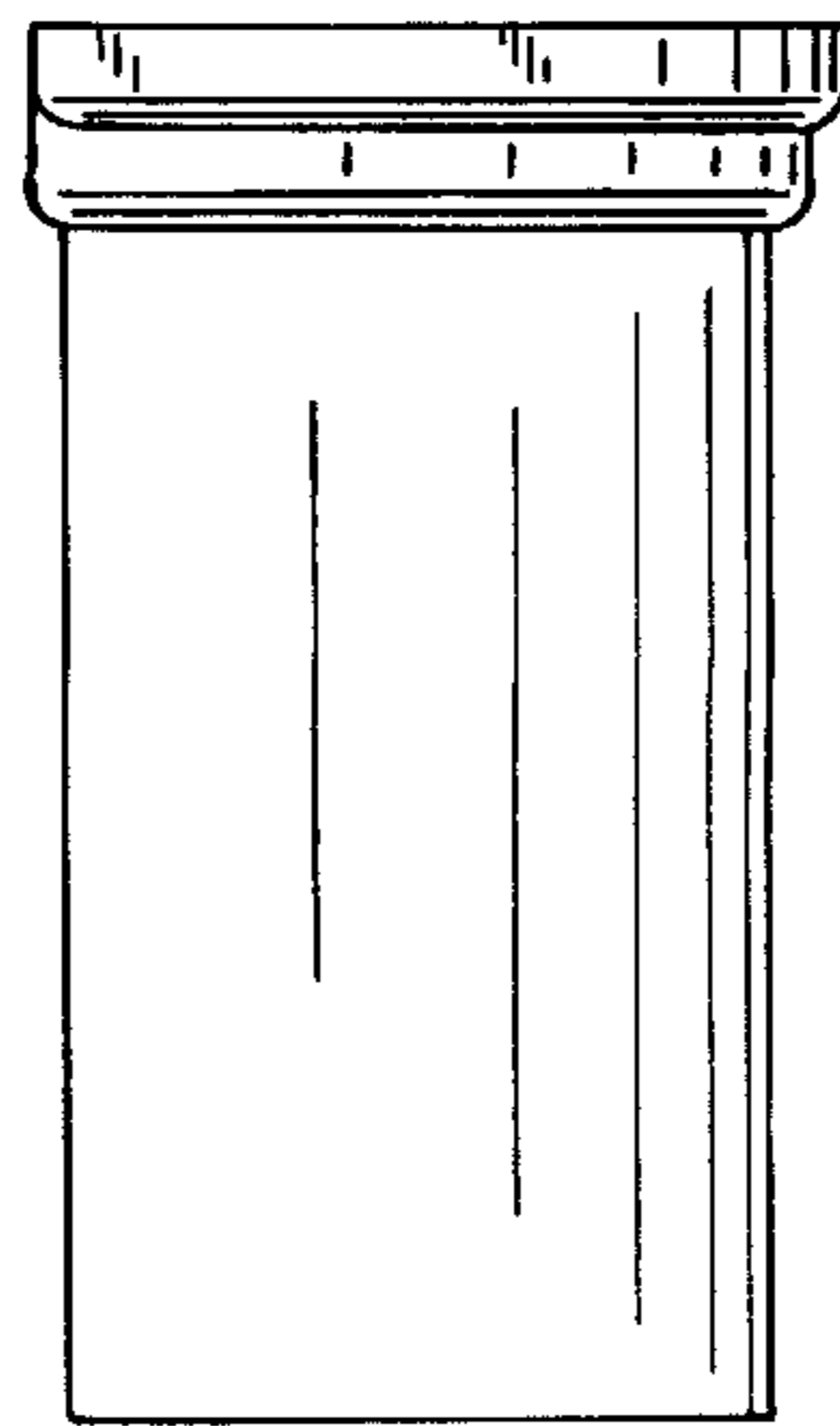


FIG. 7