



US00D446187S

(12) **United States Design Patent**  
**Lam et al.**

(10) **Patent No.:** **US D446,187 S**

(45) **Date of Patent:** **\*\* Aug. 7, 2001**

(54) **AC ADAPTOR**

(75) Inventors: **Yuk Nam Lam; King Mo Shum**, both of Kowloon (HK)

(73) Assignee: **Jeckson Electric Co., Ltd.**, Hong Kong (CN)

(\*\*) Term: **14 Years**

(21) Appl. No.: **29/135,625**

(22) Filed: **Jan. 16, 2001**

(51) **LOC (7) Cl.** ..... **13-03**

(52) **U.S. Cl.** ..... **D13/137.2**

(58) **Field of Search** ..... D13/145, 137.1-137.2; 337/189, 197, 198; 174/66; 220/241; 439/170, 171, 491, 105, 106, 622, 638

(56) **References Cited**

**U.S. PATENT DOCUMENTS**

- D. 152,631 \* 2/1949 Massey ..... D13/145
- D. 413,303 \* 8/1999 Hakoda ..... D13/145

\* cited by examiner

*Primary Examiner*—Susan J. Lucas

*Assistant Examiner*—Jennifer Rivard

(74) *Attorney, Agent, or Firm*—Alix, Yale & Ristas, LLP

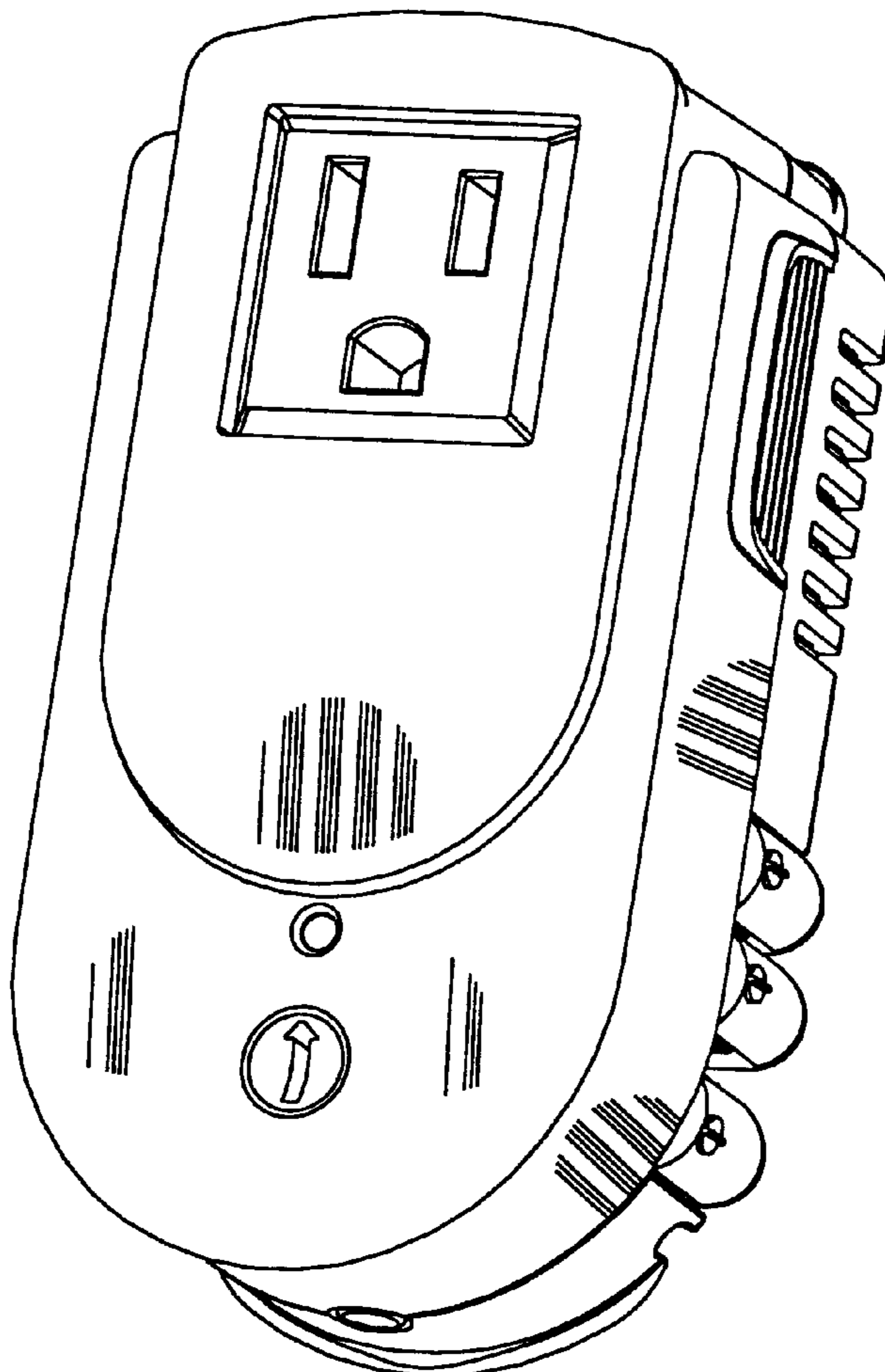
(57) **CLAIM**

The ornamental design for an AC adaptor, as shown and described.

**DESCRIPTION**

FIG. 1 is a front view of the AC adaptor showing my new design;  
 FIG. 2 is a rear view of the AC adaptor of FIG. 1;  
 FIG. 3 is a left side view of the AC adaptor of FIG. 1;  
 FIG. 4 is a right side view of the AC adaptor of FIG. 1;  
 FIG. 5 is a top plan view of the AC adaptor of FIG. 1;  
 FIG. 6 is a bottom plan view of the AC adaptor of FIG. 1;  
 FIG. 7 is a front perspective view of the AC adaptor of FIG. 1;  
 FIG. 8 is a rear perspective view of the AC adaptor of FIG. 1; and,  
 FIG. 9 is a rear perspective view in an opened position of the AC adaptor of FIG. 1.

**1 Claim, 9 Drawing Sheets**



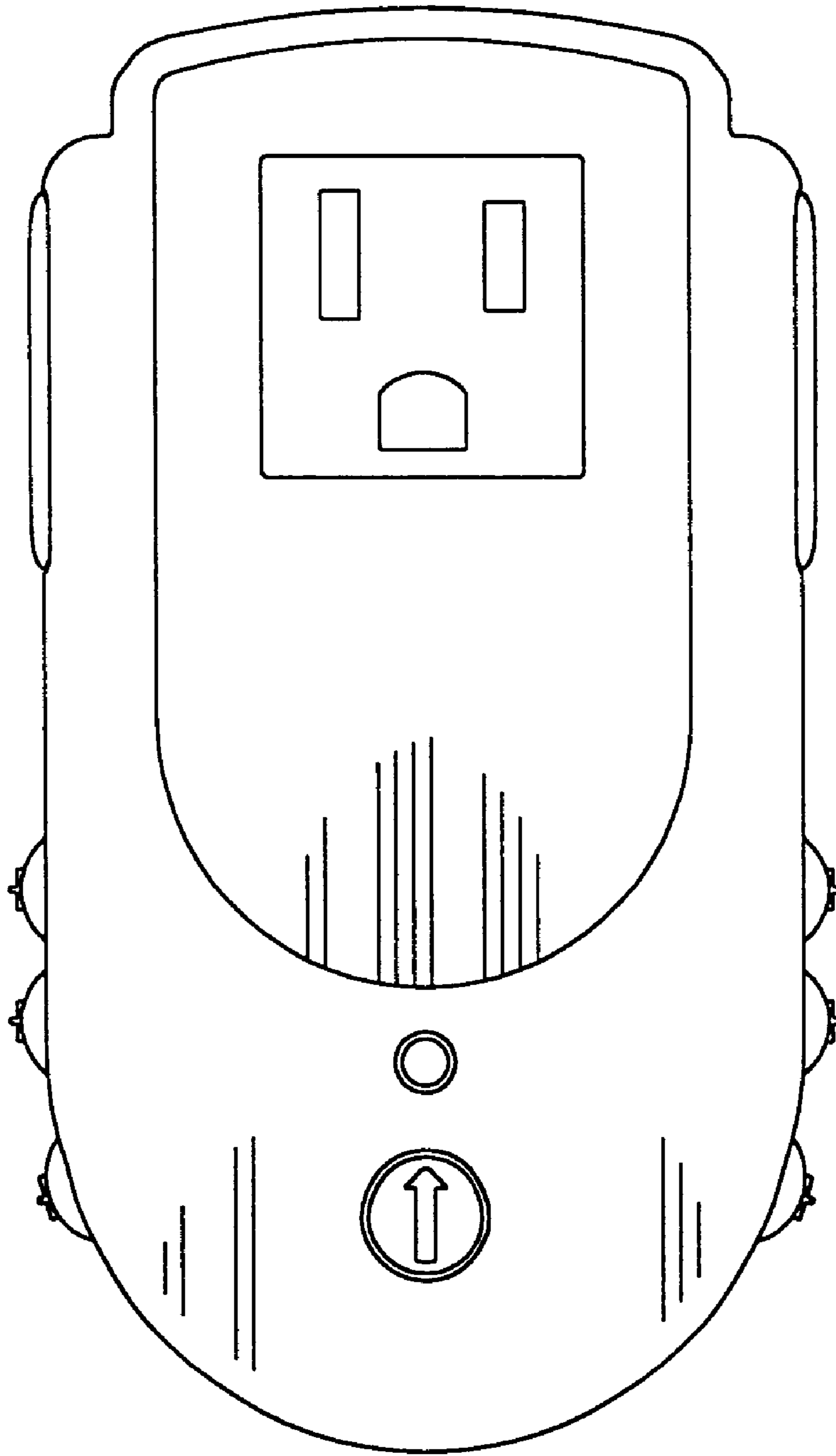


FIG. 1

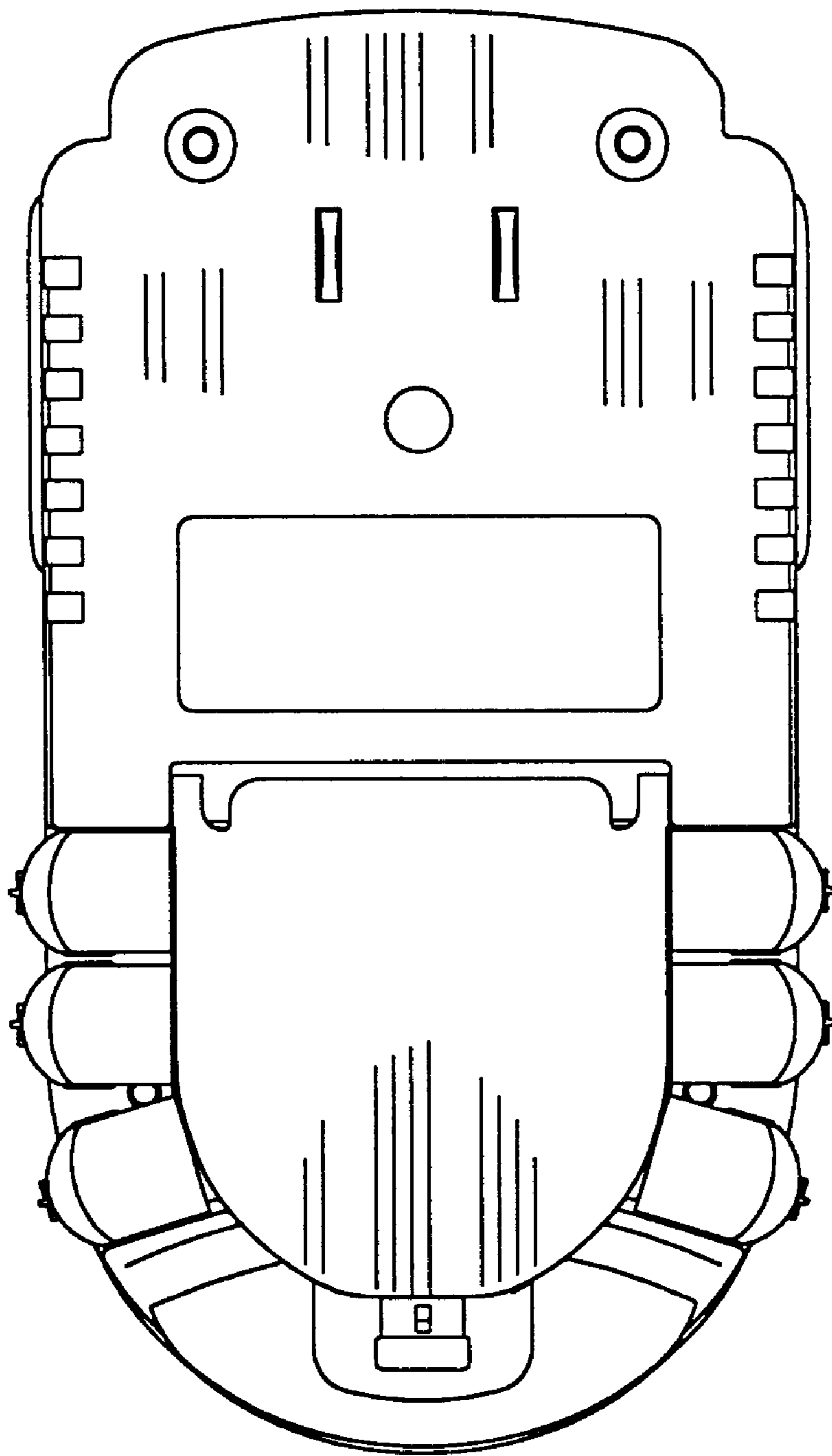


FIG. 2

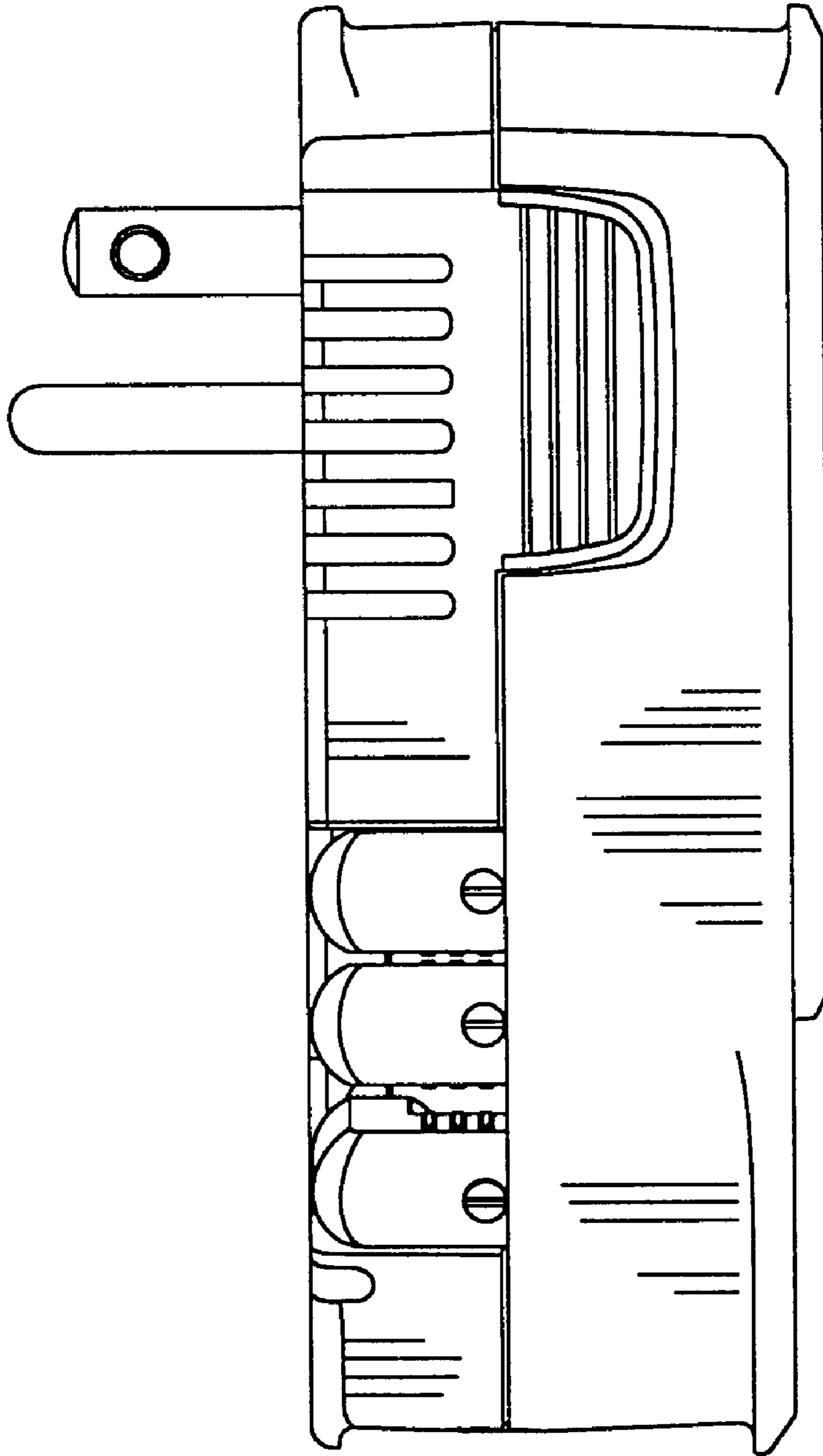


FIG. 3

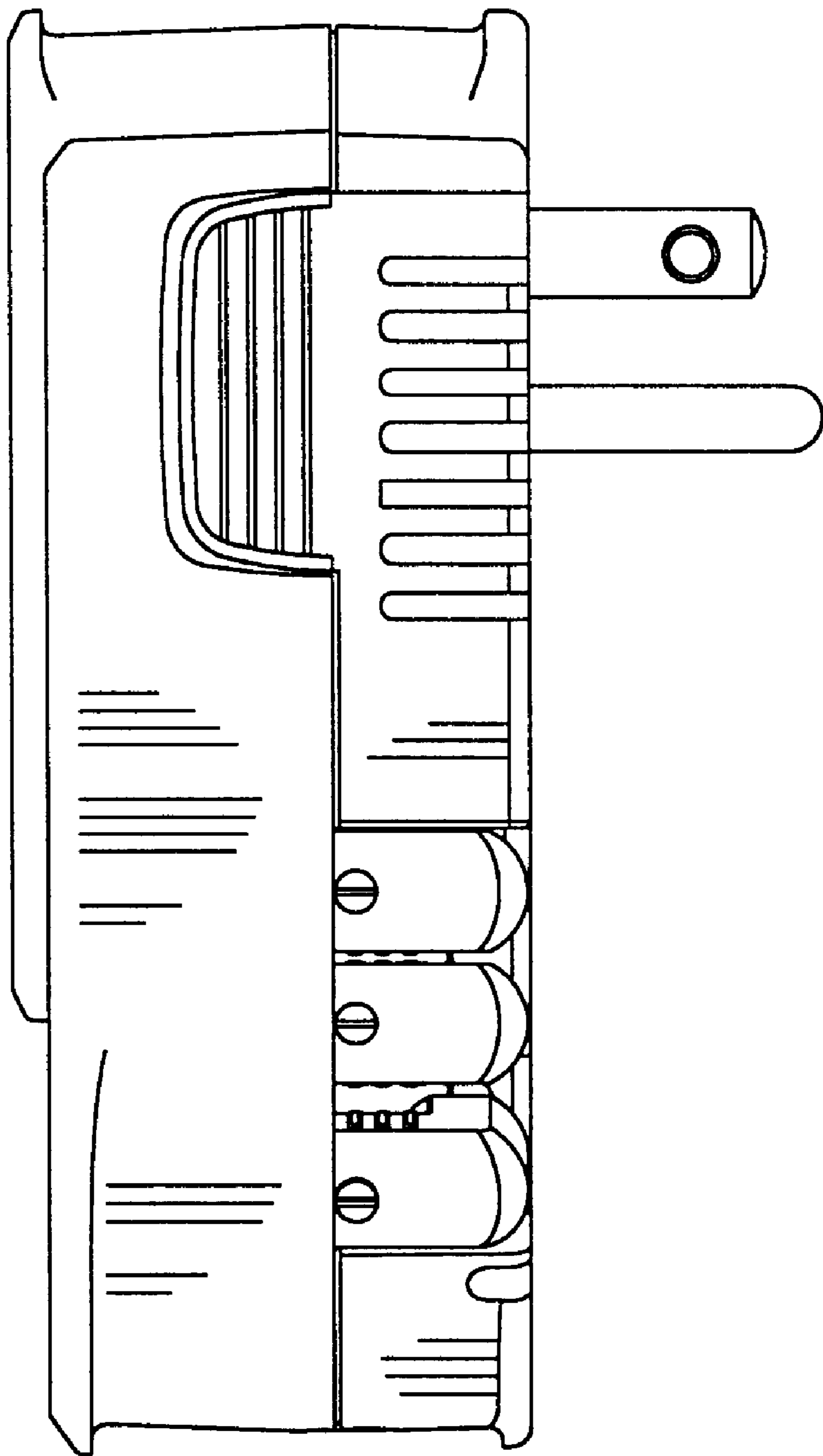


FIG. 4

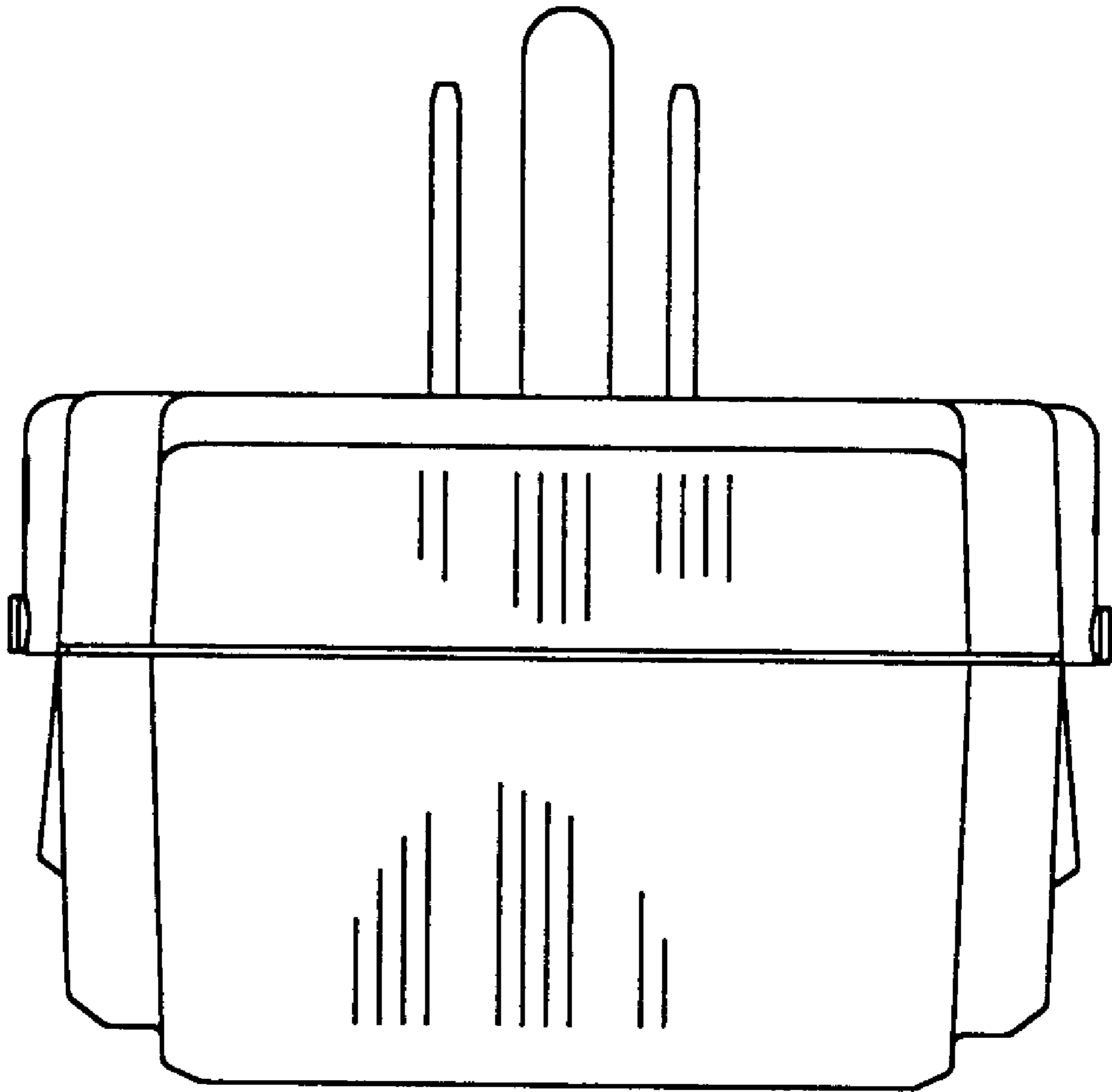


FIG. 5

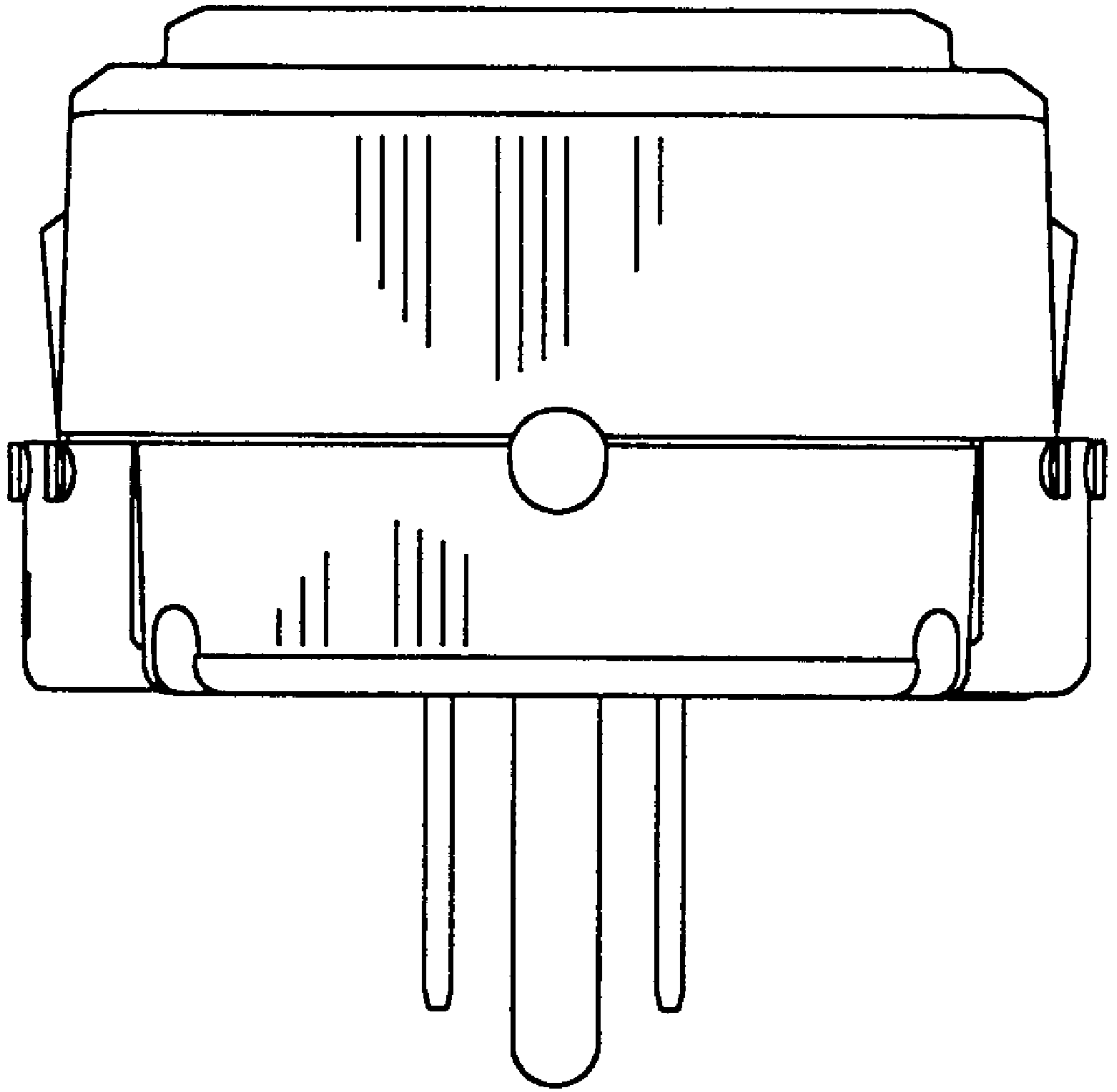


FIG. 6

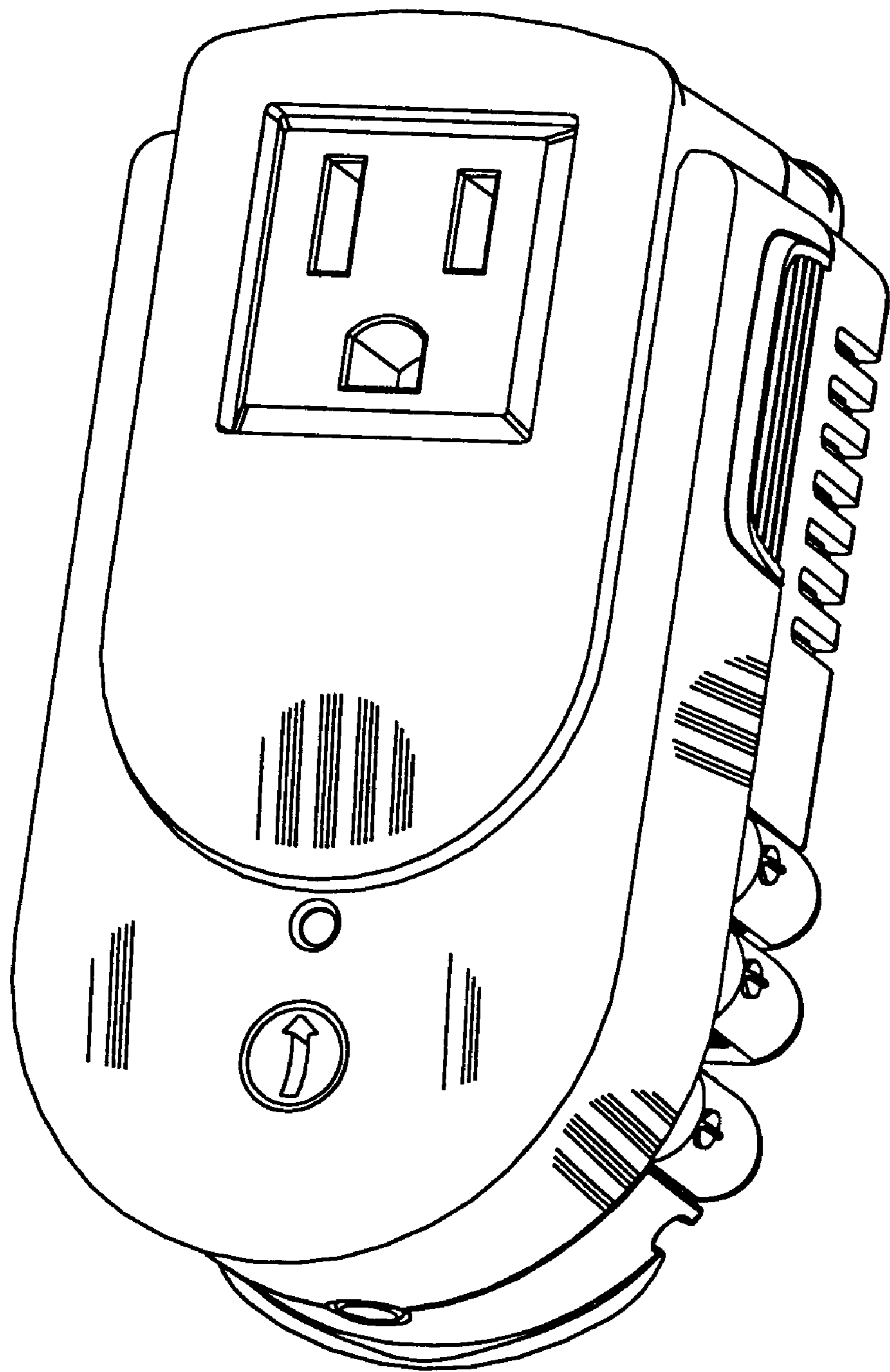


FIG. 7



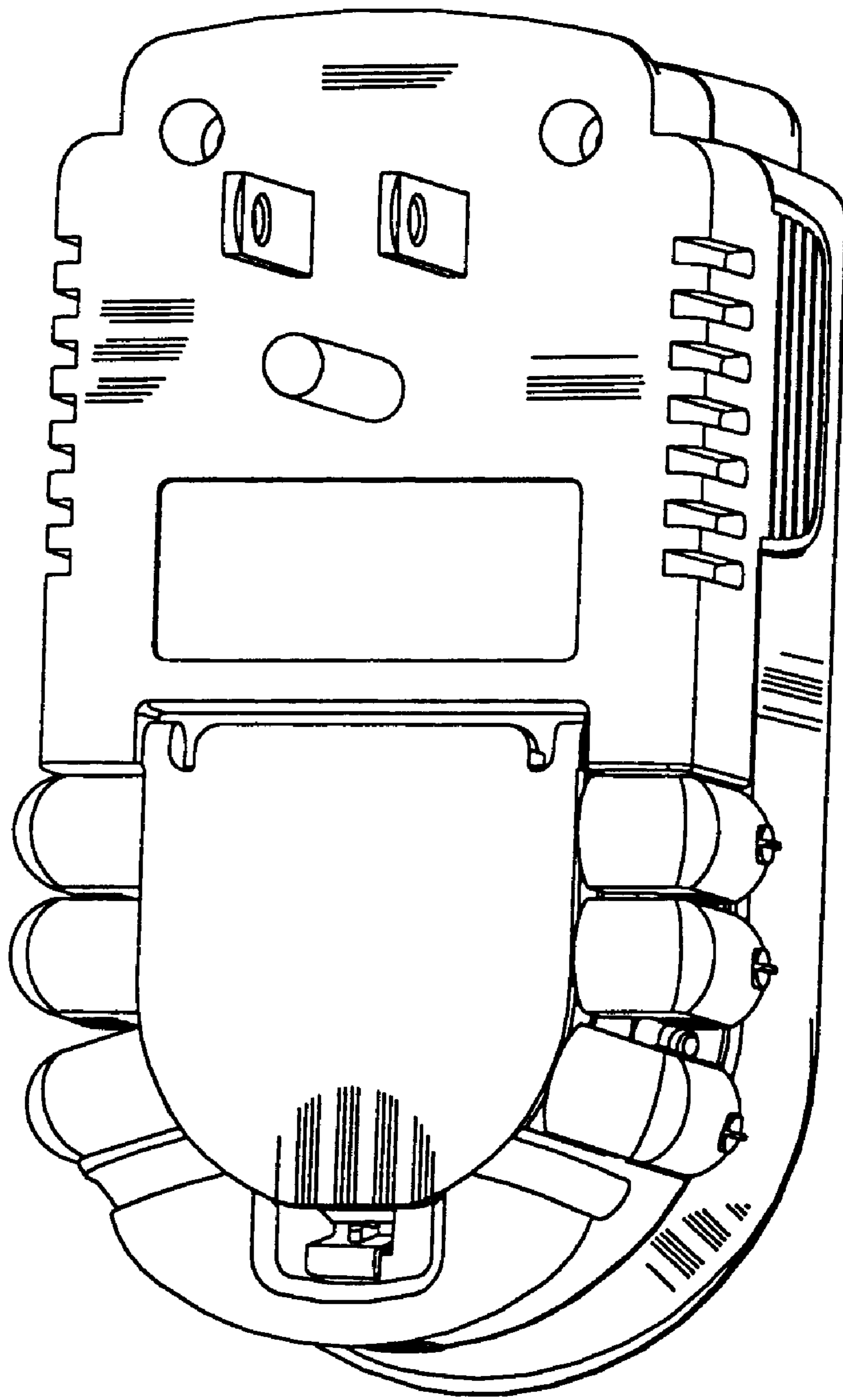


FIG. 8

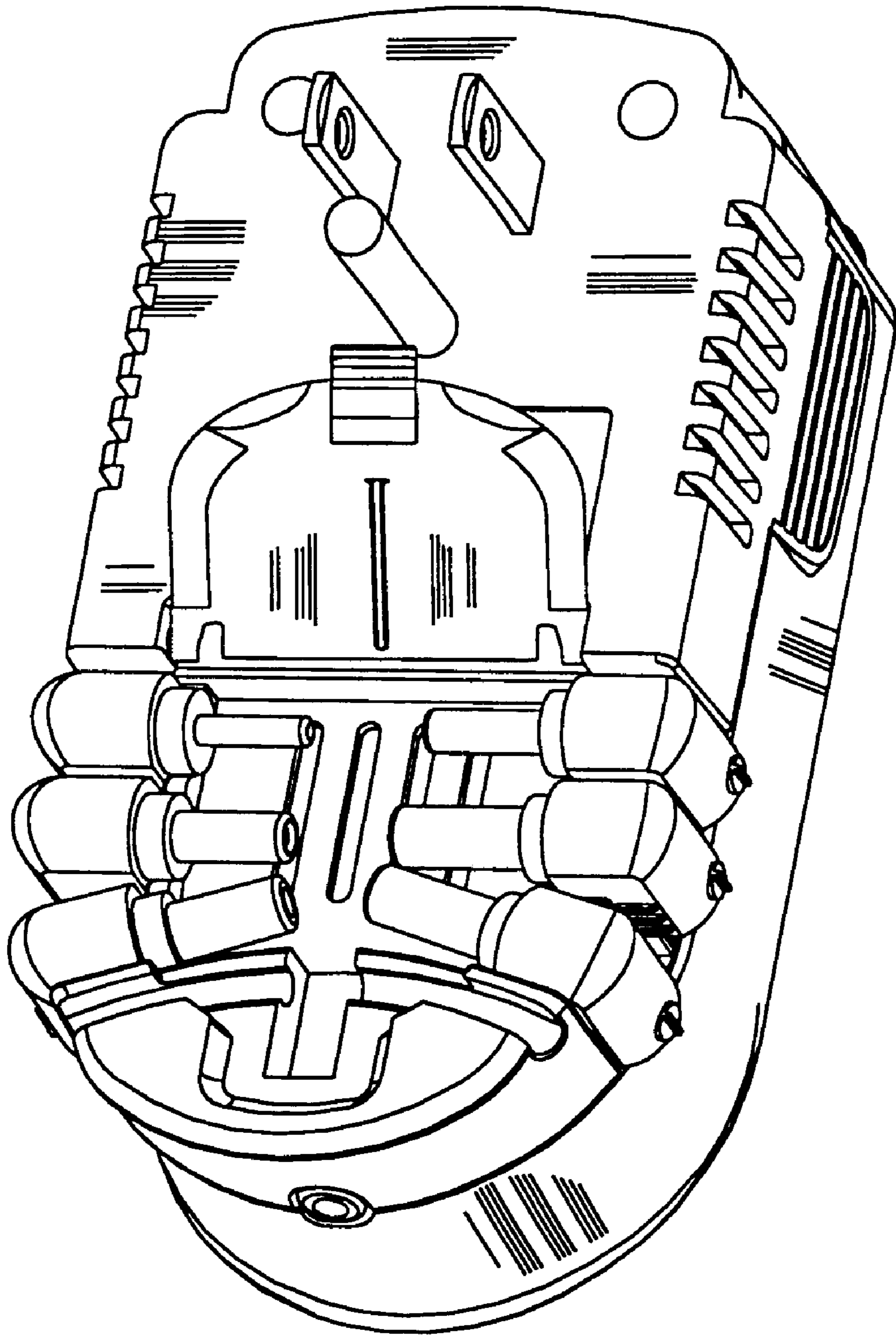


FIG. 9