



US00D446186S

(12) **United States Design Patent**
Corona

(10) **Patent No.:** **US D446,186 S**

(45) **Date of Patent:** **** Aug. 7, 2001**

(54) **ELECTRICAL PLUG HOUSING**

5,507,664 * 4/1996 Carmo 439/372

(75) Inventor: **Sergio Corona**, Upland, CA (US)

* cited by examiner

(73) Assignee: **DSM&T Co. Inc.**, Fontana, CA (US)

Primary Examiner—Joel Sincavage

(**) Term: **14 Years**

(74) *Attorney, Agent, or Firm*—Collard & Roe, P.C.

(21) Appl. No.: **29/134,051**

(57) **CLAIM**

(22) Filed: **Dec. 13, 2000**

The ornamental design for an electrical plug housing, as shown and described.

(51) **LOC (7) Cl.** **13-03**

(52) **U.S. Cl.** **D13/133**

(58) **Field of Search** D13/133; 439/164,
439/165, 271, 283, 286, 372, 777

DESCRIPTION

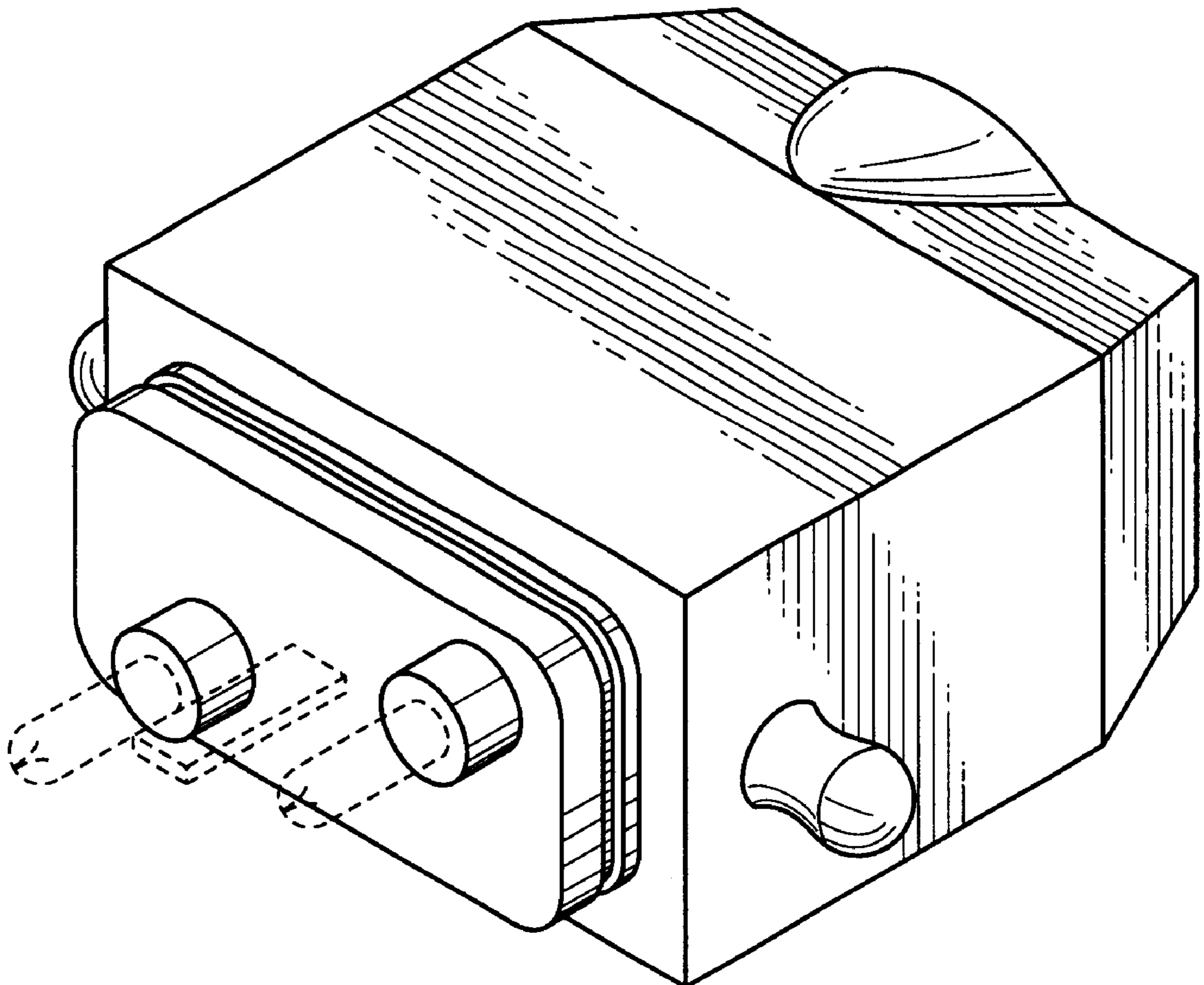
(56) **References Cited**

U.S. PATENT DOCUMENTS

D. 360,872	*	8/1995	Wilson	D13/133
D. 373,566	*	9/1996	Rak et al.	D13/133
4,506,944	*	3/1985	Brennan et al.	439/607
4,969,831	*	11/1990	Kuzuno et al.	439/259
5,263,871	*	11/1993	Sano	439/372 X
5,368,492	*	11/1994	Hayashi	439/372 X
5,435,738	*	7/1995	Isohata	439/271 X

FIG. 1 shows a front and upper right perspective view of the electrical plug housing according to the invention; FIG. 2 shows a front view of the electrical plug housing; FIG. 3 shows a side view of the electrical plug housing with the opposite side being the same; FIG. 4 shows a bottom plan view of the electrical plug housing; and, FIG. 5 shows a rear view of the electrical plug housing. The broken line showing the electrical contacts in FIGS. 1-4 and the electrical cords in FIGS. 3, 4 and 5 are included for the purpose of illustrating environmental structure only and form no part of the claimed design.

1 Claim, 2 Drawing Sheets



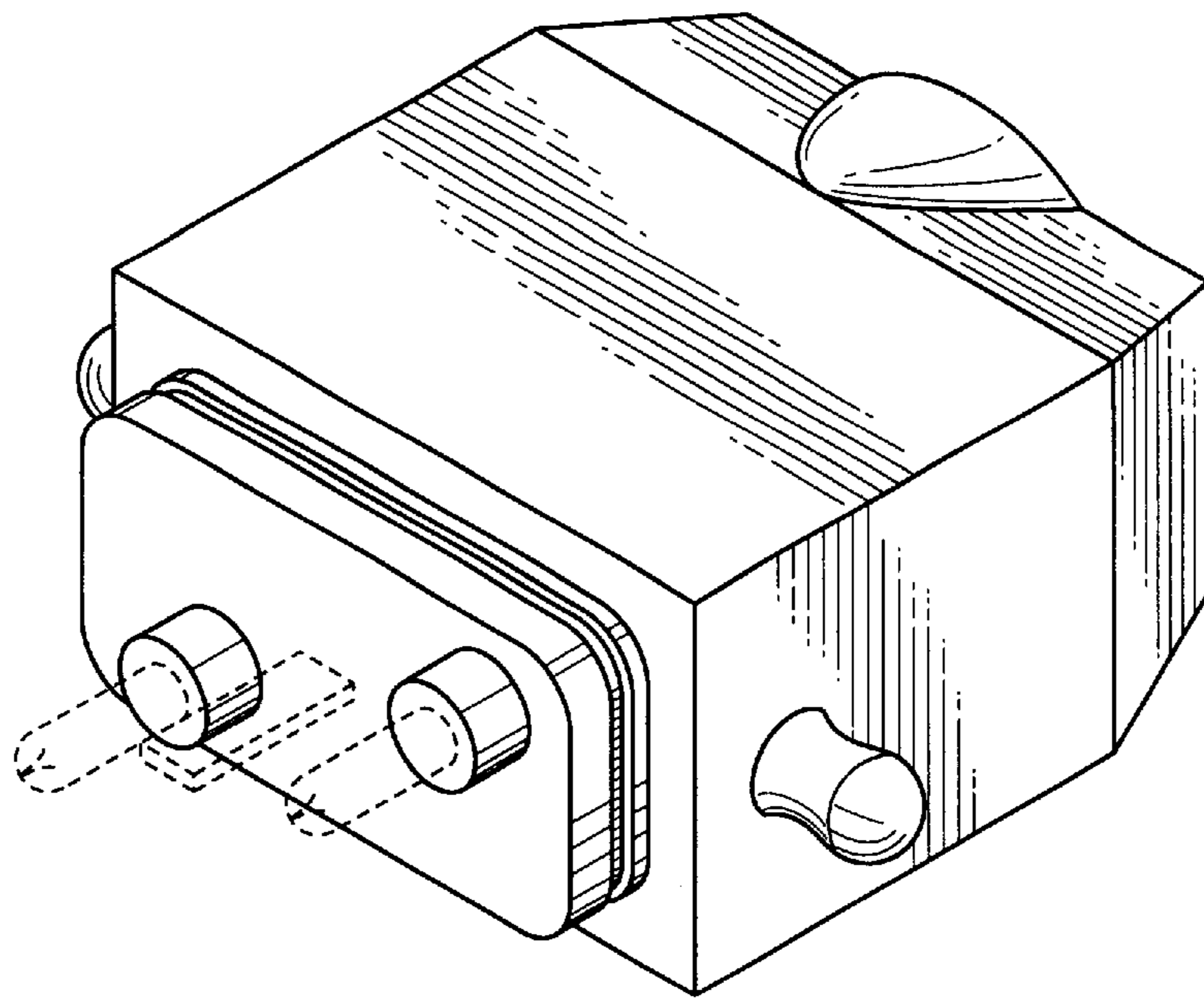


Fig. 1

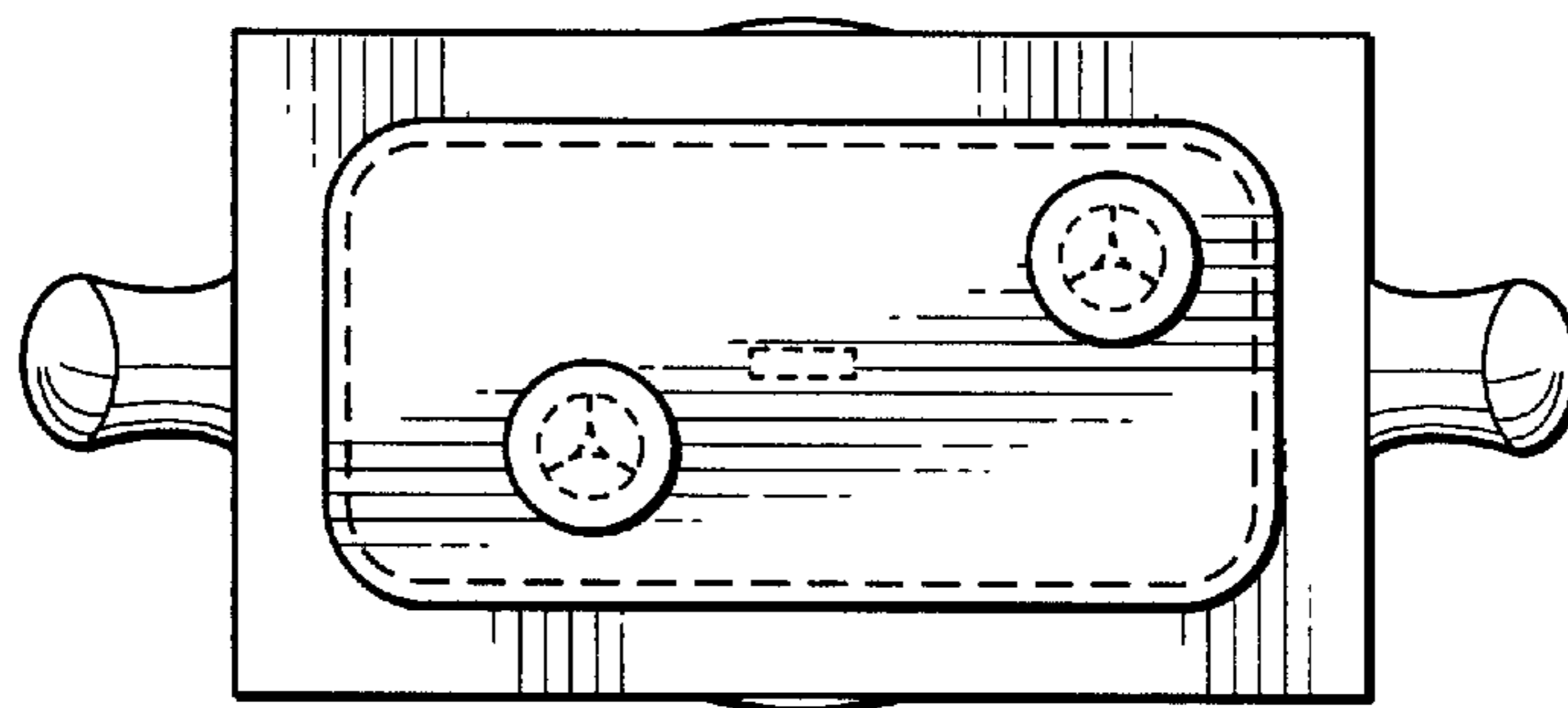


Fig. 2

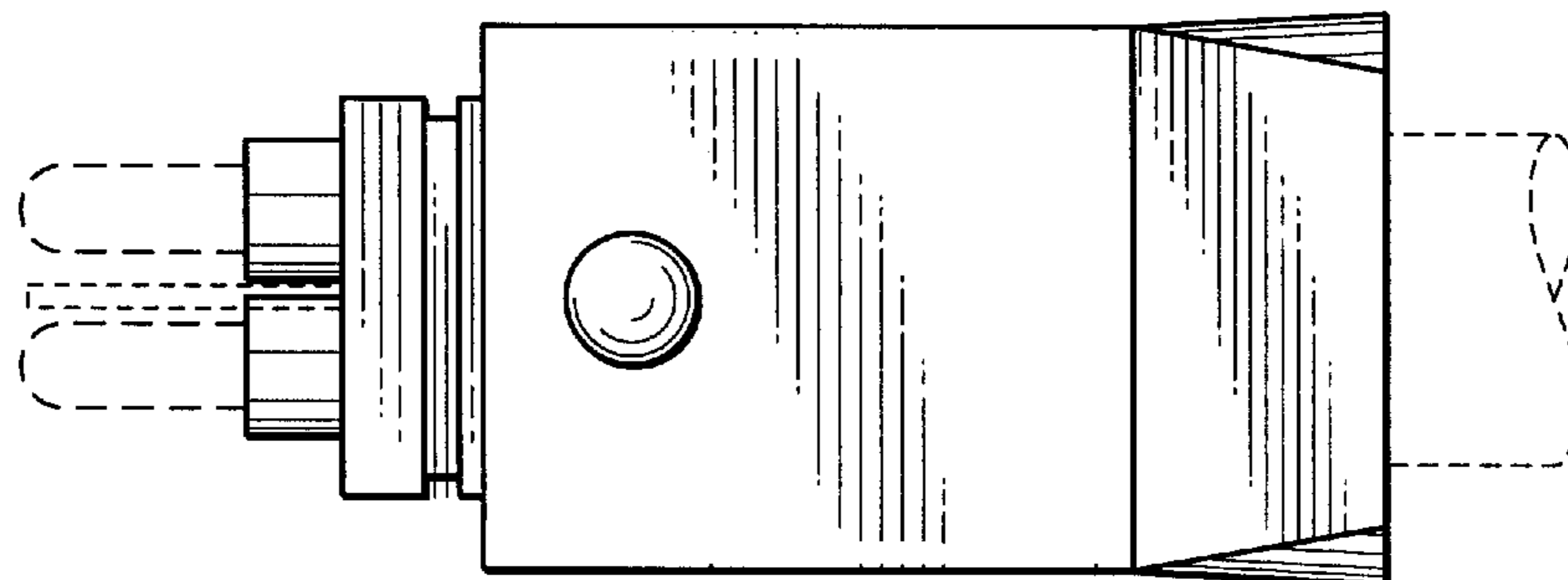


Fig. 3

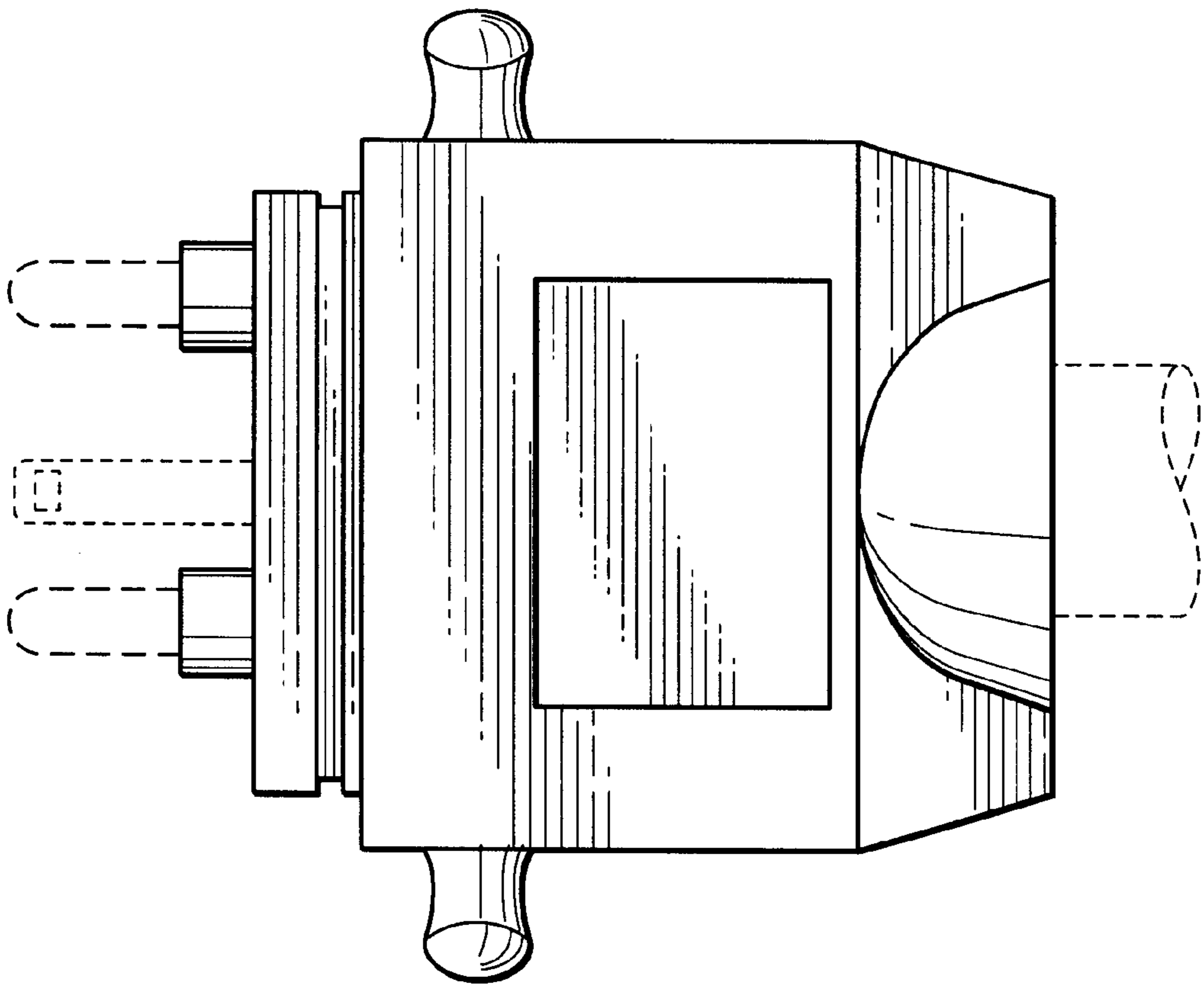


Fig. 4

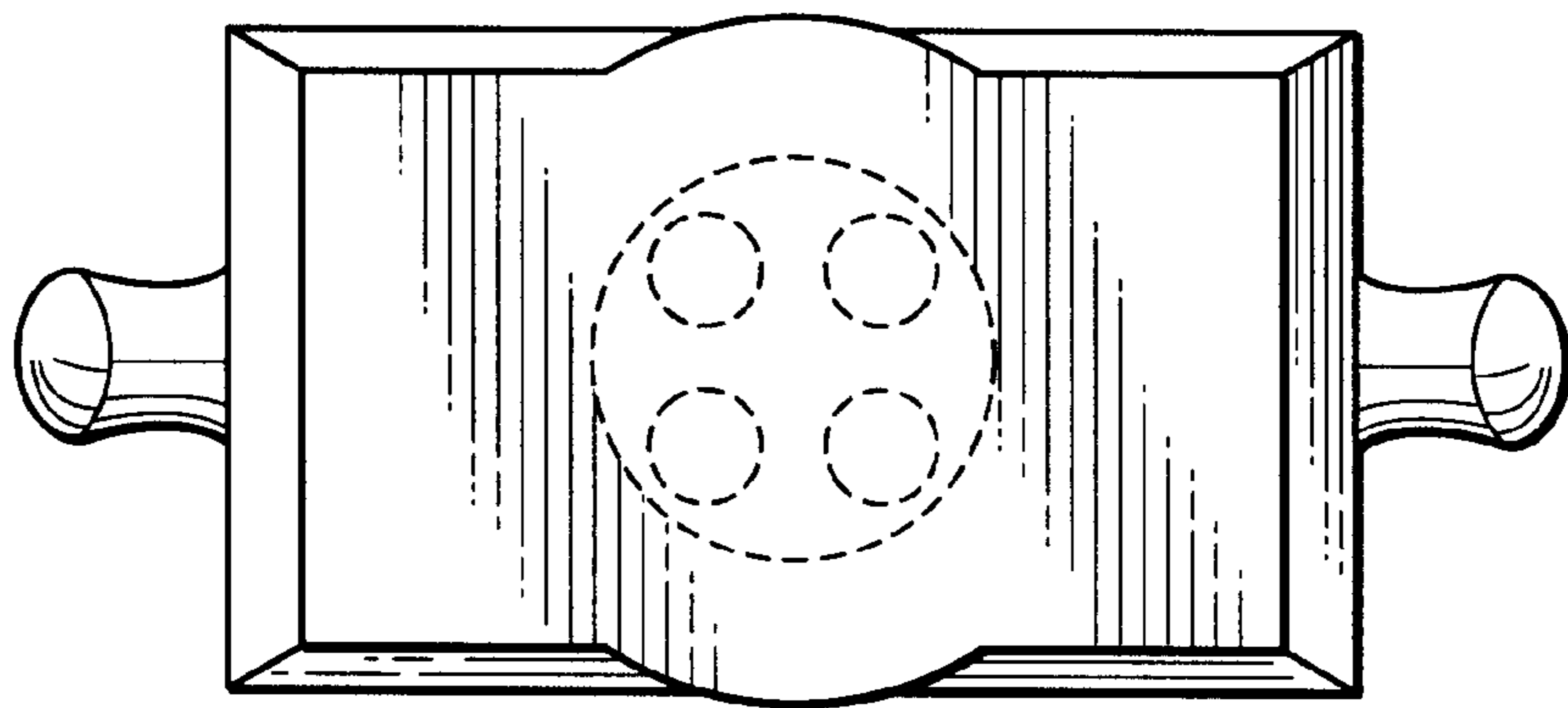


Fig. 5