



US00D446184S

(12) **United States Design Patent**
Parker

(10) **Patent No.:** **US D446,184 S**

(45) **Date of Patent:** **** Aug. 7, 2001**

(54) **CHARGER**

D. 422,556 * 4/2000 Okura et al. D13/107

(75) Inventor: **David H. Parker**, Torrance, CA (US)

* cited by examiner

(73) Assignee: **Pelican Products, Inc.**, Torrance, CA (US)

Primary Examiner—Joel Sincavage

(74) *Attorney, Agent, or Firm*—Oppenheimer Wolff & Donnelly LLP

(**) Term: **14 Years**

(57) **CLAIM**

(21) Appl. No.: **29/125,443**

The ornamental design for a charger, as shown and described.

(22) Filed: **Jun. 23, 2000**

DESCRIPTION

(51) **LOC (7) Cl.** **13-02**

(52) **U.S. Cl.** **D13/107; D13/108**

(58) **Field of Search** D13/107, 108, D13/118; D14/149, 251, 253; 320/110–115

FIG. 1 is a front top perspective view of a charger;

FIG. 2 is a rear view of a charger;

FIG. 3 is a front view of a charger;

FIG. 4 is a side view of a charger; and,

FIG. 5 is an under view of a charger.

The broken lines on the bottom surface are included for the purpose of illustrating portions of the charger that form no part of the claimed design.

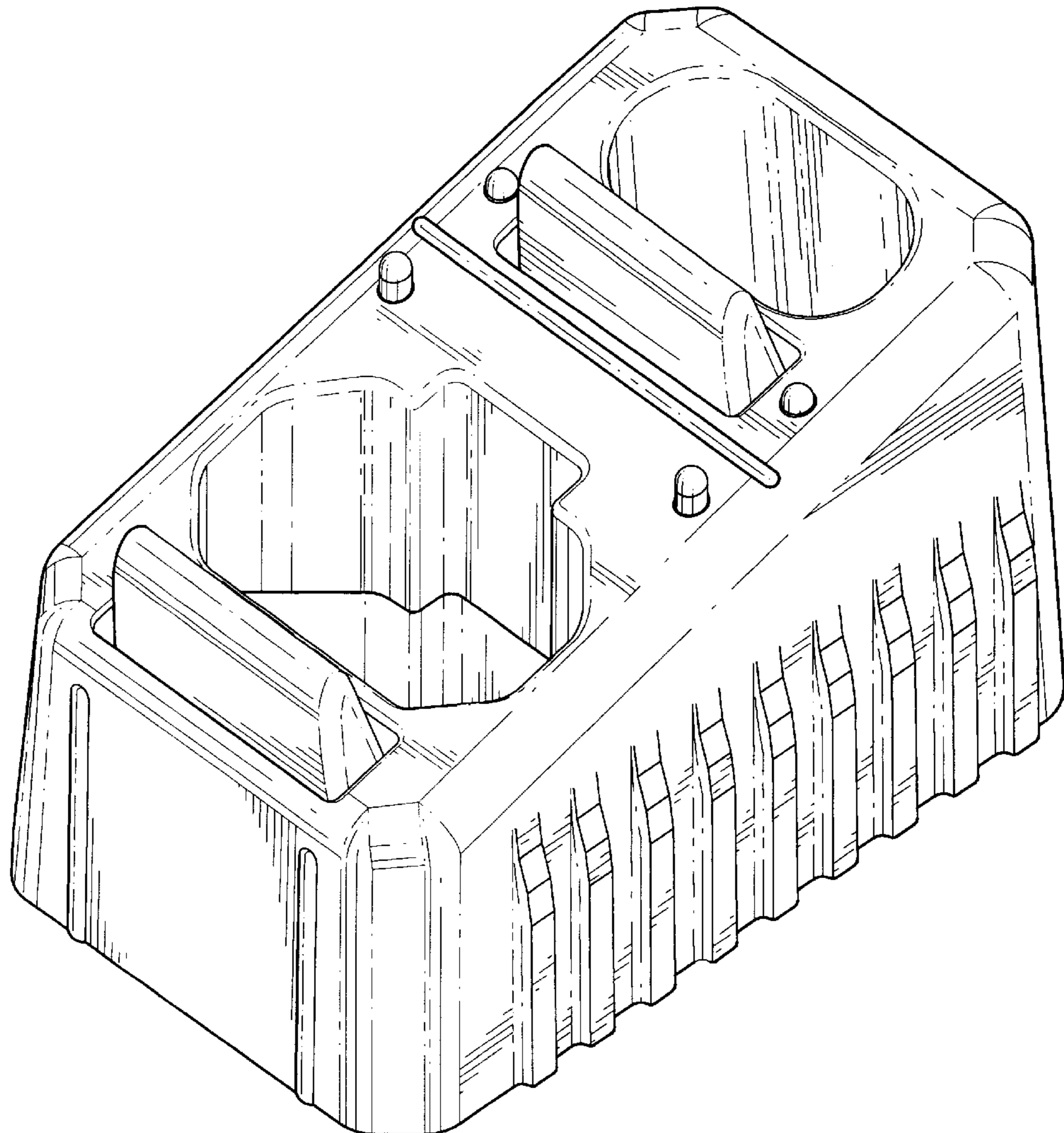
(56) **References Cited**

U.S. PATENT DOCUMENTS

D. 397,084 * 8/1998 Siddoway D13/107

D. 400,499 * 11/1998 Bunyea D13/107

1 Claim, 3 Drawing Sheets



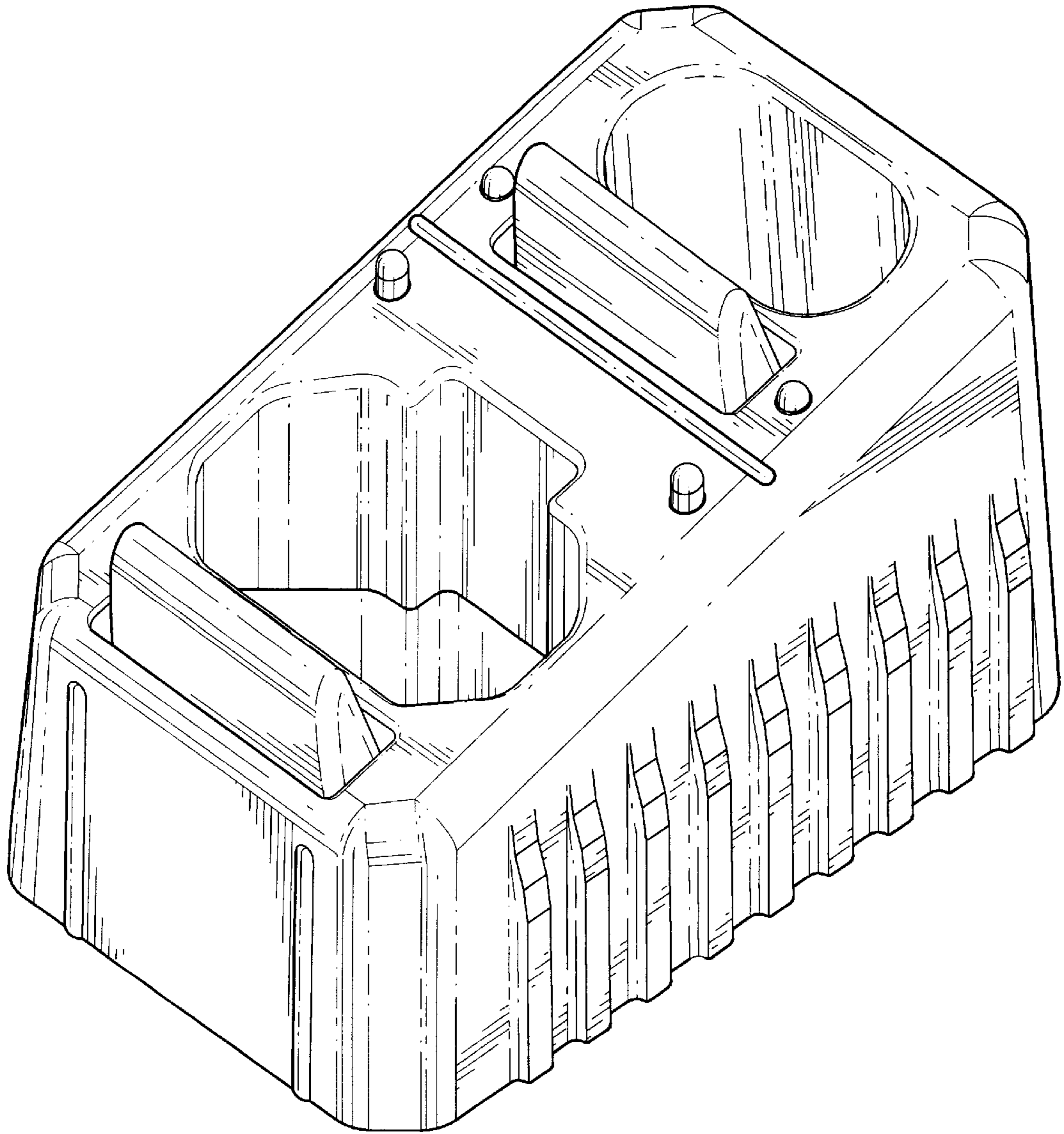


FIG. 1

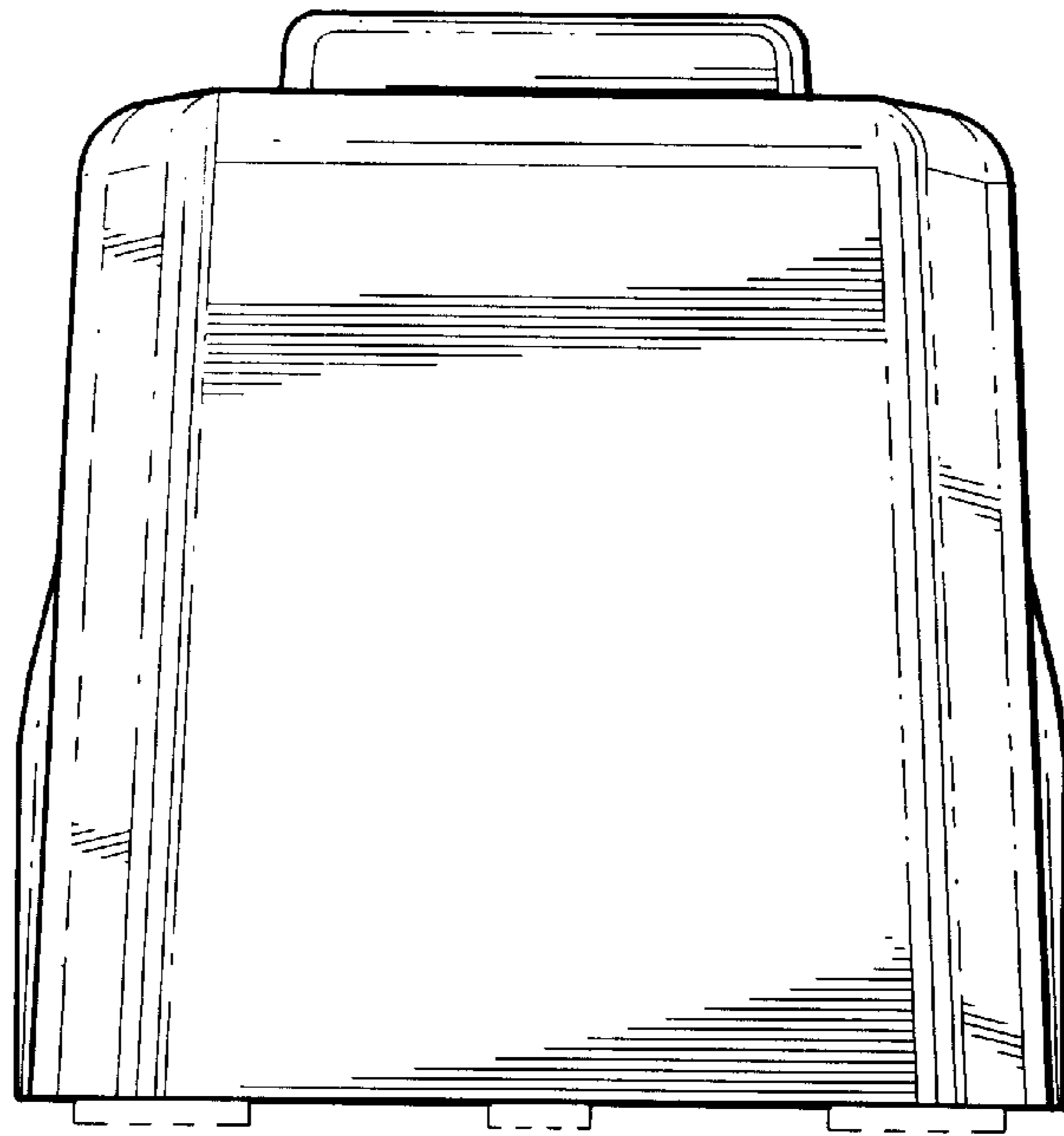


FIG. 2

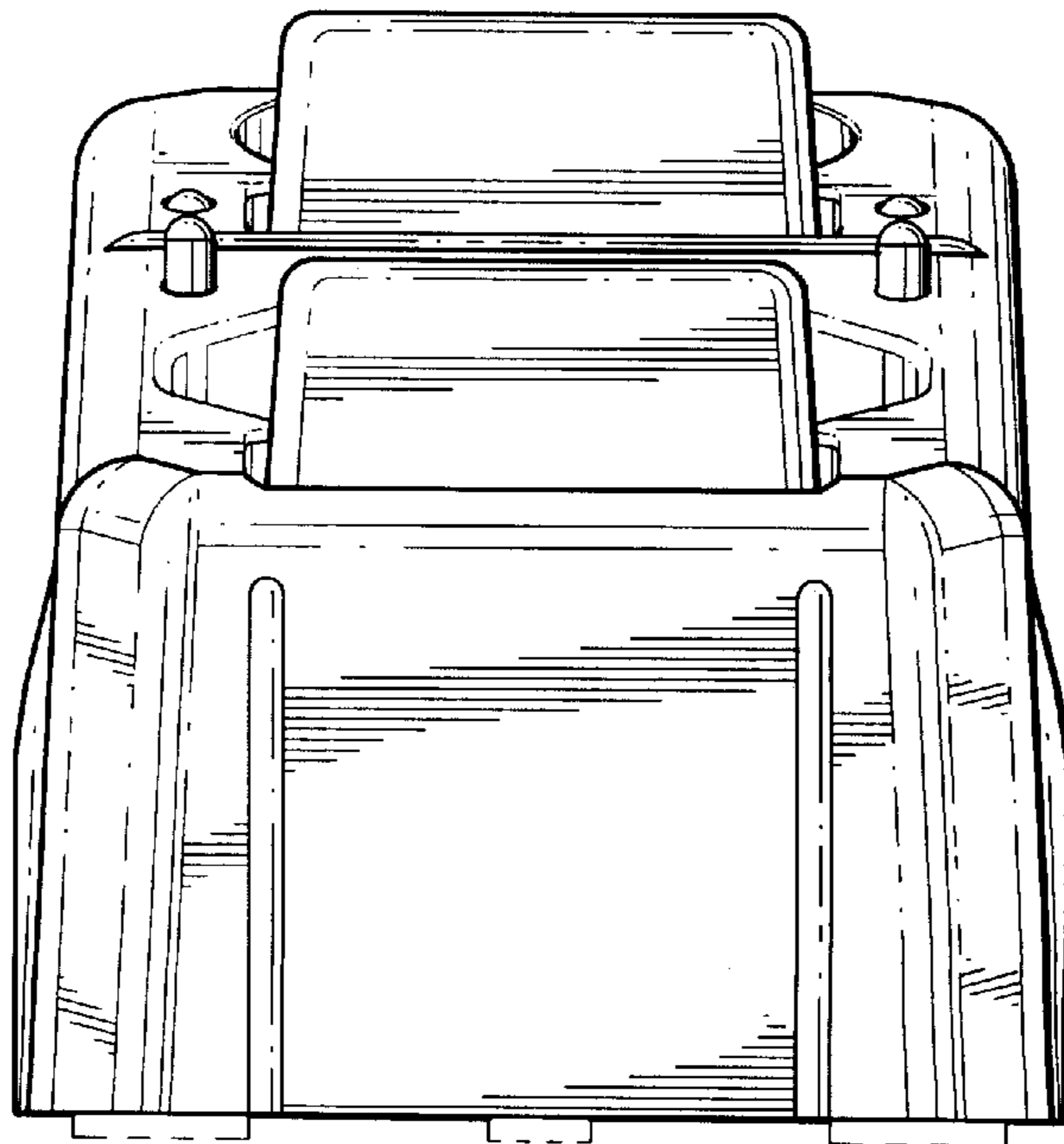


FIG. 3

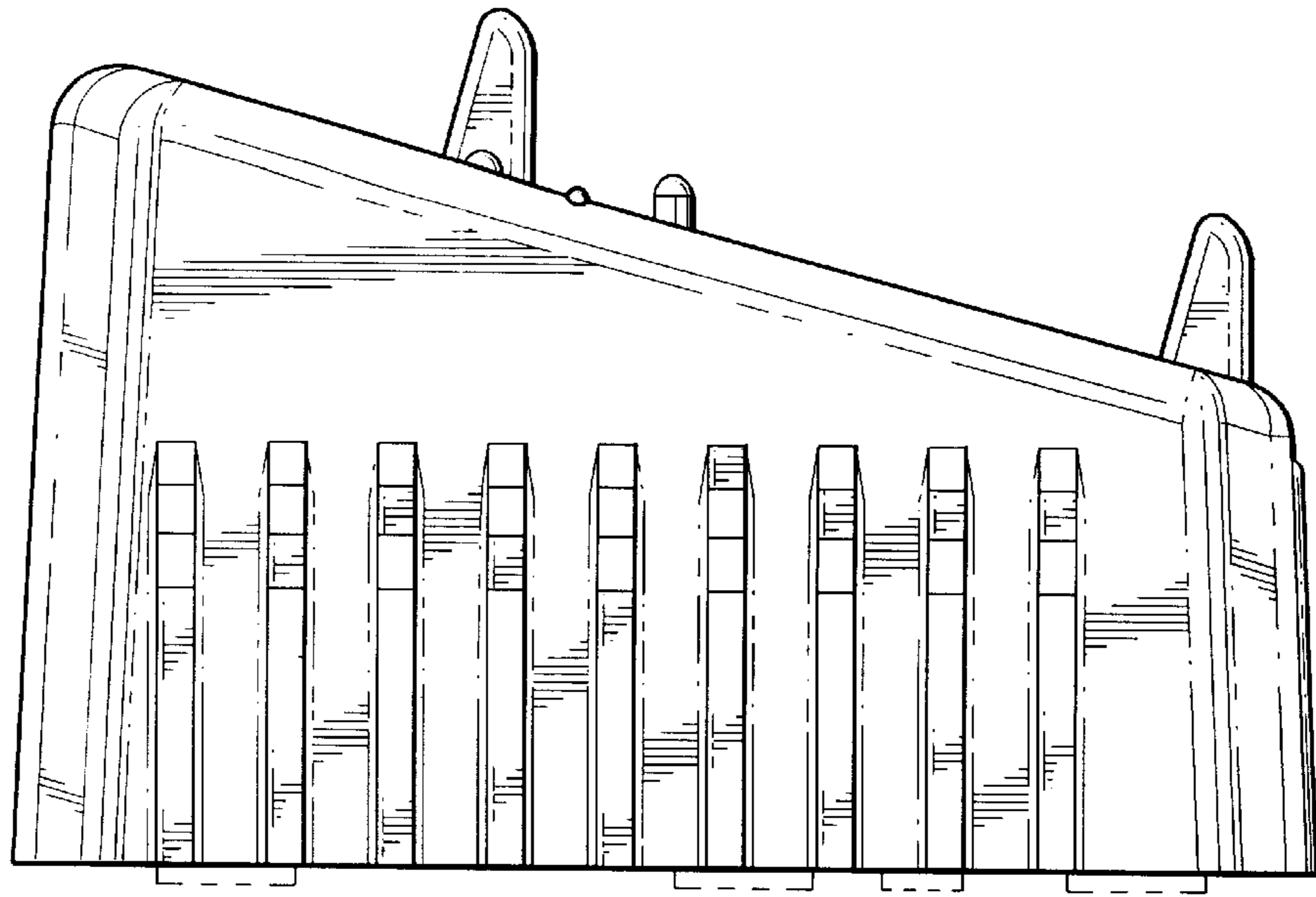


FIG. 4

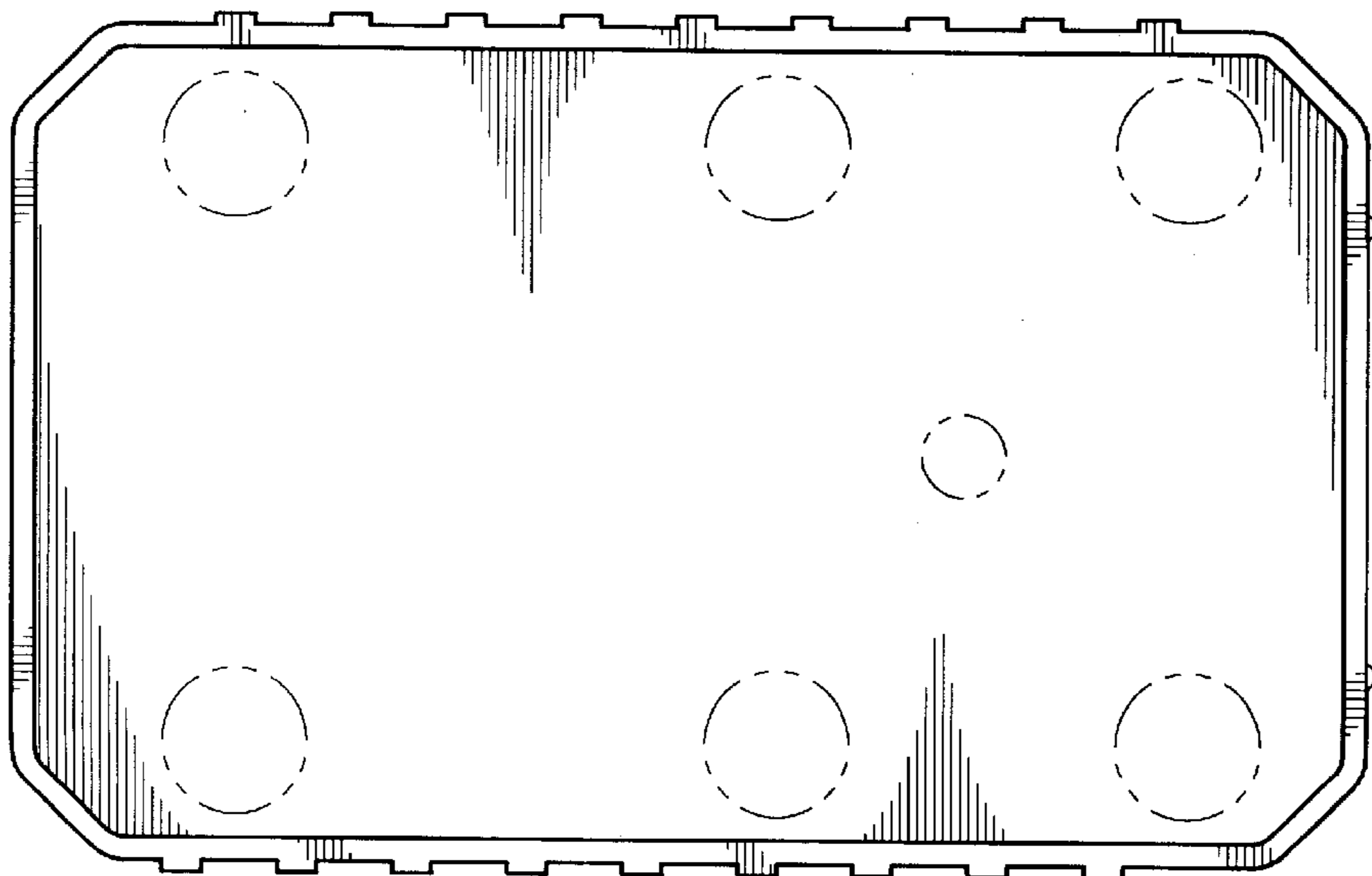


FIG. 5