



US00D446182S

(12) **United States Design Patent**  
**Adam, Jr. et al.**

(10) **Patent No.:** **US D446,182 S**

(45) **Date of Patent:** **\*\* Aug. 7, 2001**

(54) **AIRCRAFT**

(76) Inventors: **George F. Adam, Jr.**, 4950 S. Birch St., Cherry Hills, CO (US) 80121; **John C. Knudsen**, 501 Birch St., Denver, CO (US) 80220; **David Shaw**, 8517 Bluegrass Cir., Parker, CO (US) 80134; **Daniel Hatfield**, P.O. Box 1041, Mojave, CA (US) 93502; **Burt Rutan**, 14329 Rutan St., Mojave, CA (US) 93501

(\*\*) Term: **14 Years**

(21) Appl. No.: **29/123,780**

(22) Filed: **May 25, 2000**

(51) **LOC (7) Cl.** ..... **12-07**

(52) **U.S. Cl.** ..... **D12/331; D12/319**

(58) **Field of Search** ..... **D12/319-345; 244/45 R, 45 A, 36, 13, 37**

(56) **References Cited**

**U.S. PATENT DOCUMENTS**

D. 100,609	7/1936	Wilson et al. .	
D. 106,275	10/1937	Bellanca .	
D. 116,206	8/1939	McKellar .	
D. 117,419	10/1939	Munk et al. .	
D. 130,651	12/1941	Silverstein .	
D. 138,795	9/1944	Stoughton .....	D71/1
D. 162,517	3/1951	Burnelli .....	D71/1
D. 192,195	2/1962	Stepniewski .....	D71/1
D. 203,720 *	2/1966	Jarchow .....	D12/300

D. 304,821 *	11/1989	Ratony .....	D12/331
D. 354,936	1/1995	Kraft et al. ....	D12/344
1,726,558	9/1929	Hall .	
1,928,326	9/1933	Bratu .	
2,140,783	12/1938	Bellanca .....	244/13
2,699,299	1/1955	Herrick .....	244/7
3,018,987	1/1962	Multhopp .....	244/75
3,181,820	5/1965	Burnelli .....	244/87
3,981,460 *	9/1976	Ratony .....	244/13
4,298,175	11/1981	Earl .....	244/13
5,320,306	6/1994	Gennaro .....	244/45 R
5,979,824 *	11/1999	Gagliano et al. ....	244/87

\* cited by examiner

*Primary Examiner*—Kay H. Chin

(74) *Attorney, Agent, or Firm*—Chrisman, Bynum & Johnson

(57) **CLAIM**

The ornamental design for an aircraft, as shown and described.

**DESCRIPTION**

FIG. 1 is a left side perspective view of an aircraft showing my new design, the broken line illustration of the windows forms no part of the claimed design;

FIG. 2 is a top plan view thereof;

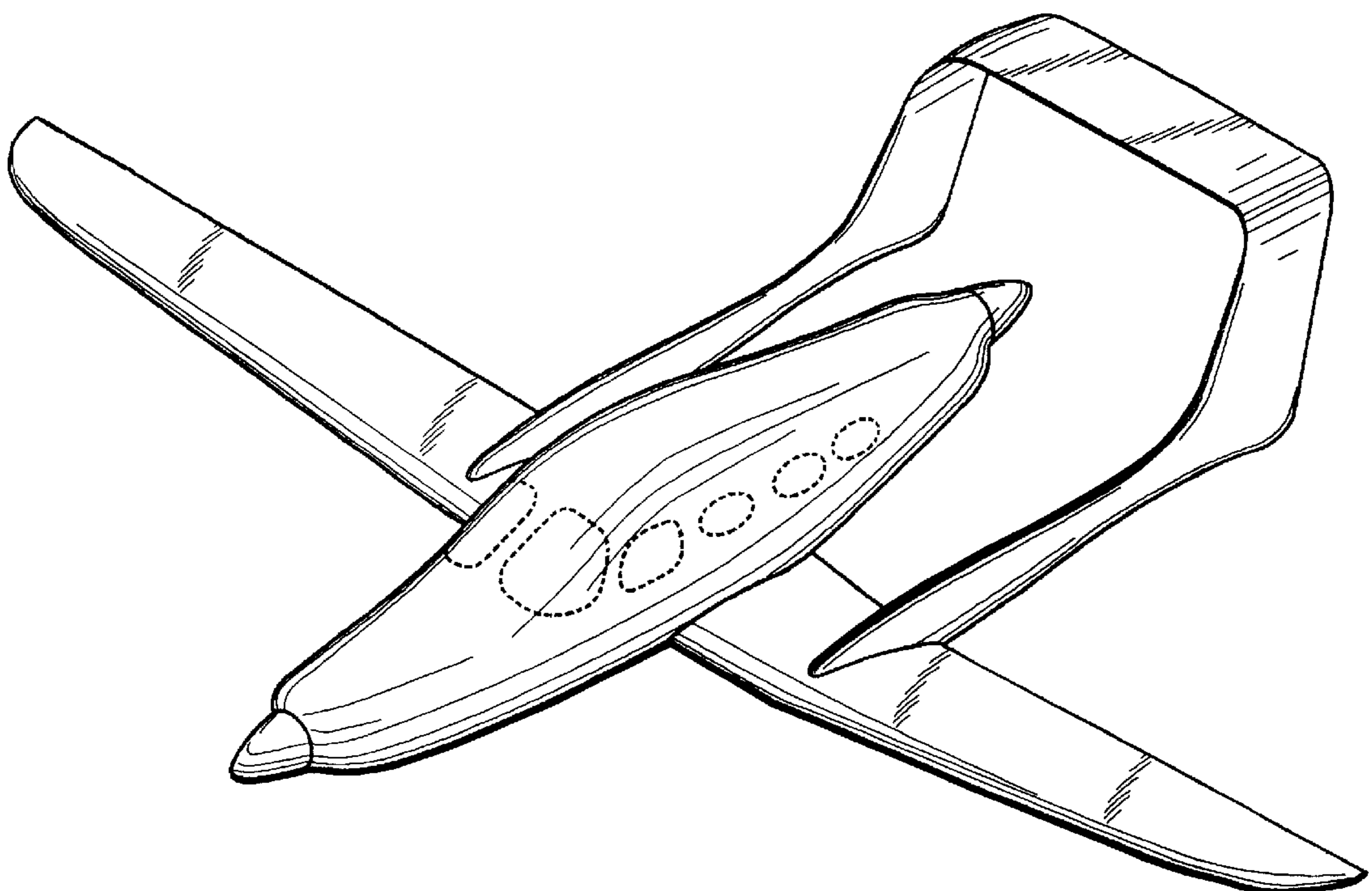
FIG. 3 is a right side elevational view thereof;

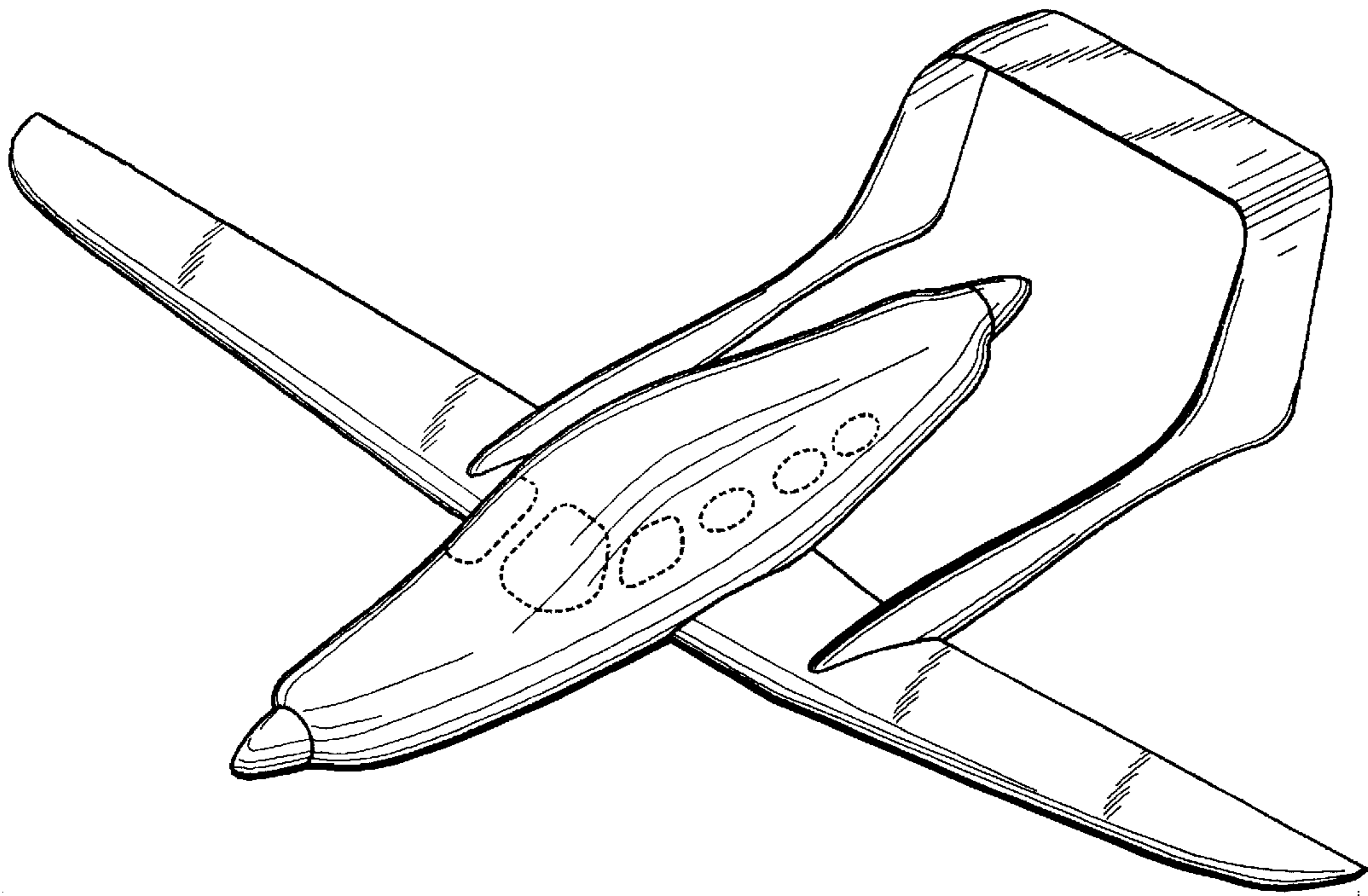
FIG. 4 is a front elevational view thereof;

FIG. 5 is a bottom plan view thereof; and,

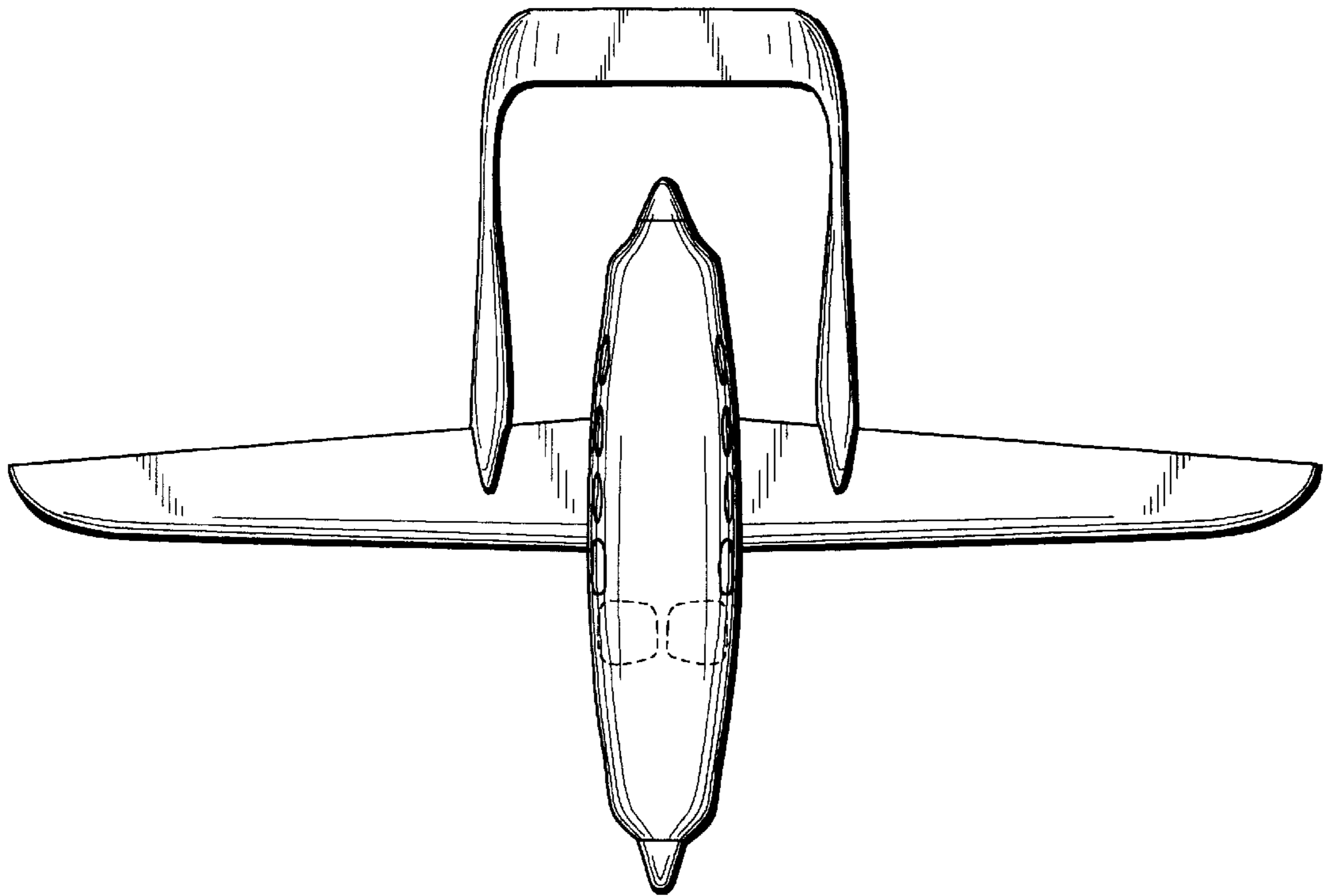
FIG. 6 is a rear elevational view thereof.

**1 Claim, 3 Drawing Sheets**

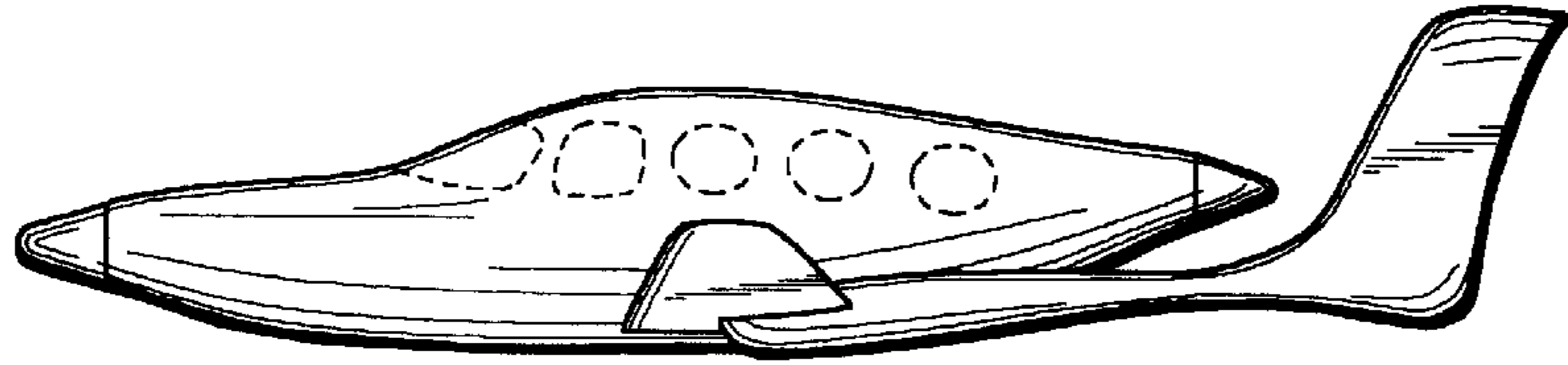




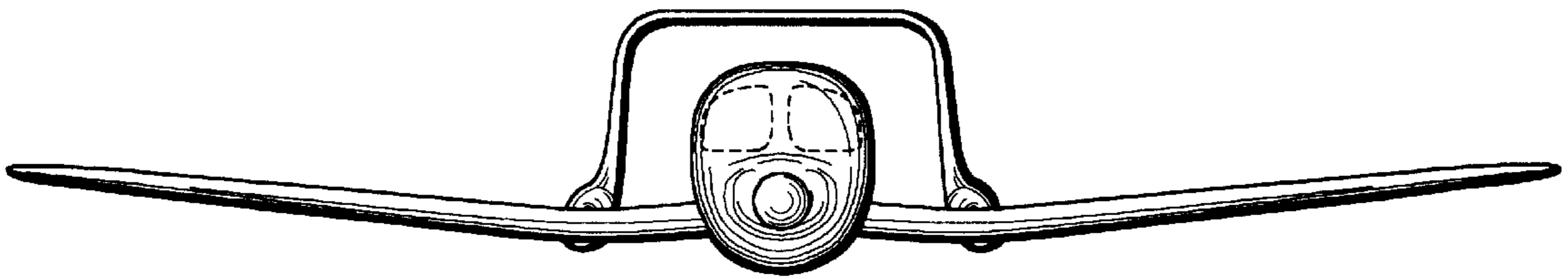
*Figure 1*



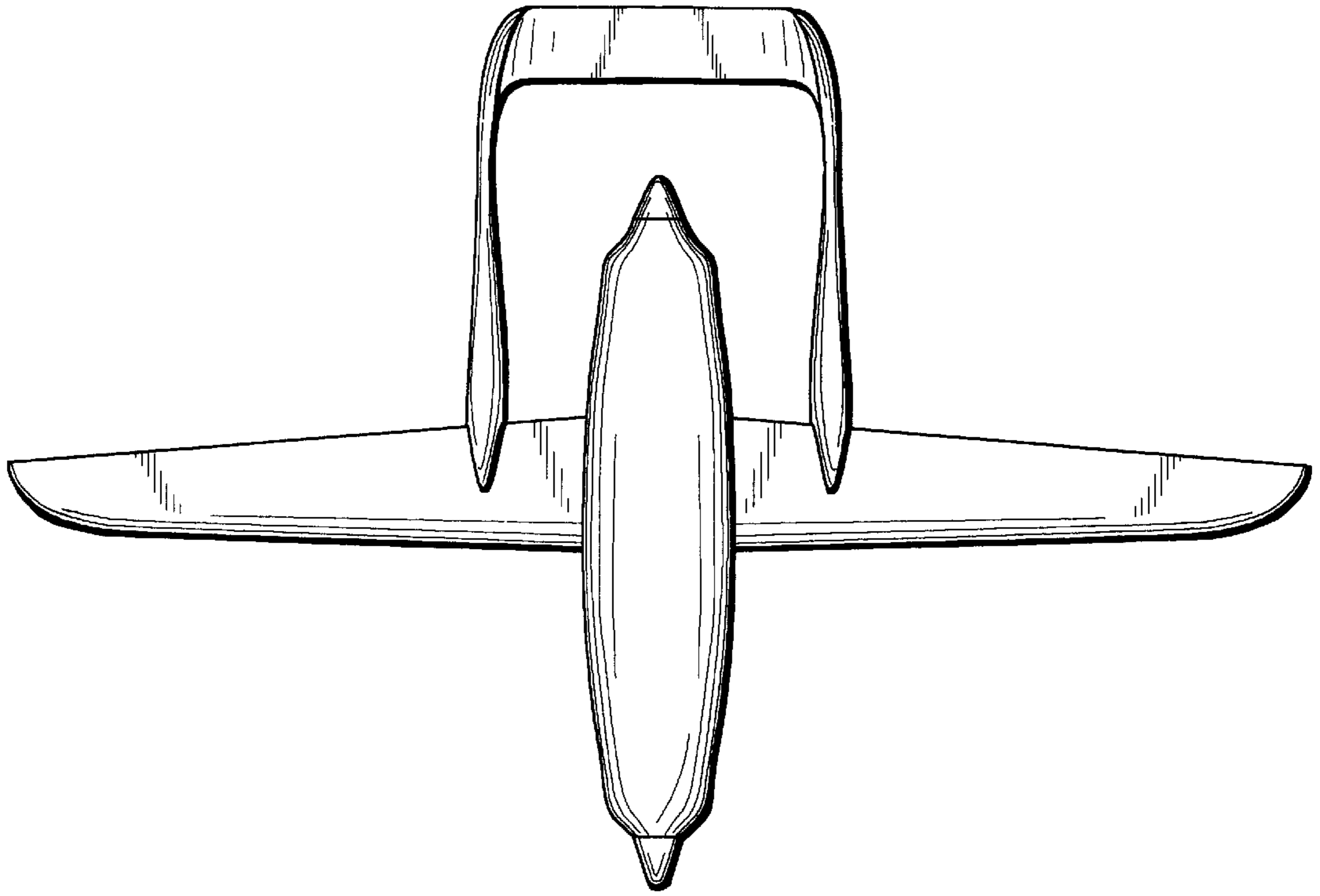
*Figure 2*



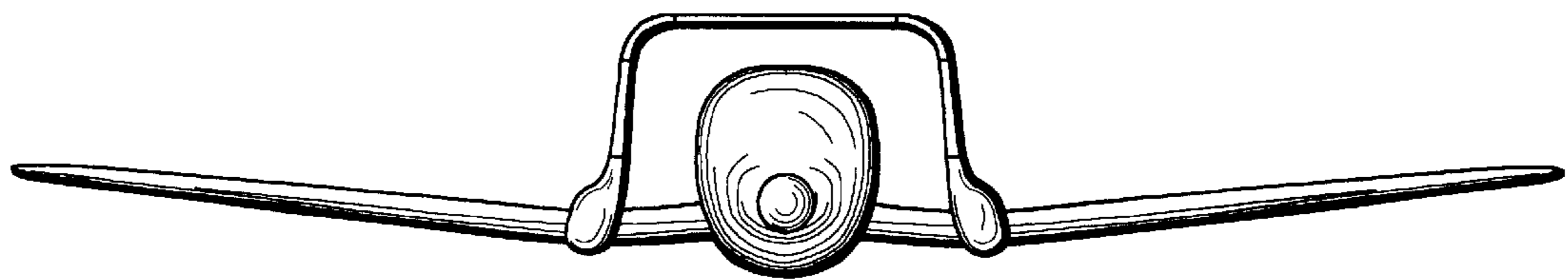
*Figure 3*



*Figure 4*



*Figure 5*



*Figure 6*