



US00D446179S

(12) **United States Design Patent**
Sinkwitz

(10) **Patent No.:** **US D446,179 S**

(45) **Date of Patent:** **** Aug. 7, 2001**

(54) **FRONT FACE OF A VEHICLE WHEEL**

(75) **Inventor:** **Hartmut Sinkwitz, Stuttgart (DE)**

(73) **Assignee:** **DaimlerChrysler AG, Stuttgart (DE)**

(**) **Term:** **14 Years**

(21) **Appl. No.:** **29/115,602**

(22) **Filed:** **Dec. 20, 1999**

(30) **Foreign Application Priority Data**

Jun. 18, 1999 (DE) 4 99 05 779

(51) **LOC (7) Cl.** **12-16**

(52) **U.S. Cl.** **D12/209**

(58) **Field of Search** D12/204-211;
301/37.1, 64.1, 65

(56) **References Cited**

U.S. PATENT DOCUMENTS

- D. 84,319 * 6/1931 Beutke et al. D12/209
- D. 84,322 * 6/1931 Beutke et al. D12/209
- D. 211,083 * 5/1968 Burson D12/204
- D. 260,984 * 9/1981 Jonsson D12/209
- D. 376,572 * 12/1996 Pfeiffer D12/209

- D. 388,760 * 1/1998 Sacco et al. D12/209
- D. 401,899 * 12/1998 Pfeiffer D12/209
- D. 407,681 * 4/1999 Sacco et al. D12/209
- D. 411,977 * 7/1999 Feriero D12/209
- D. 420,967 * 2/2000 Sacco et al. D12/209
- D. 425,847 * 5/2000 Iguchi D12/209
- D. 427,131 * 7/2000 Wang D12/211
- D. 435,501 * 12/2000 Liao D12/209

* cited by examiner

Primary Examiner—Stacia Cadmus

(74) *Attorney, Agent, or Firm*—Crowell & Moring, L.L.P.

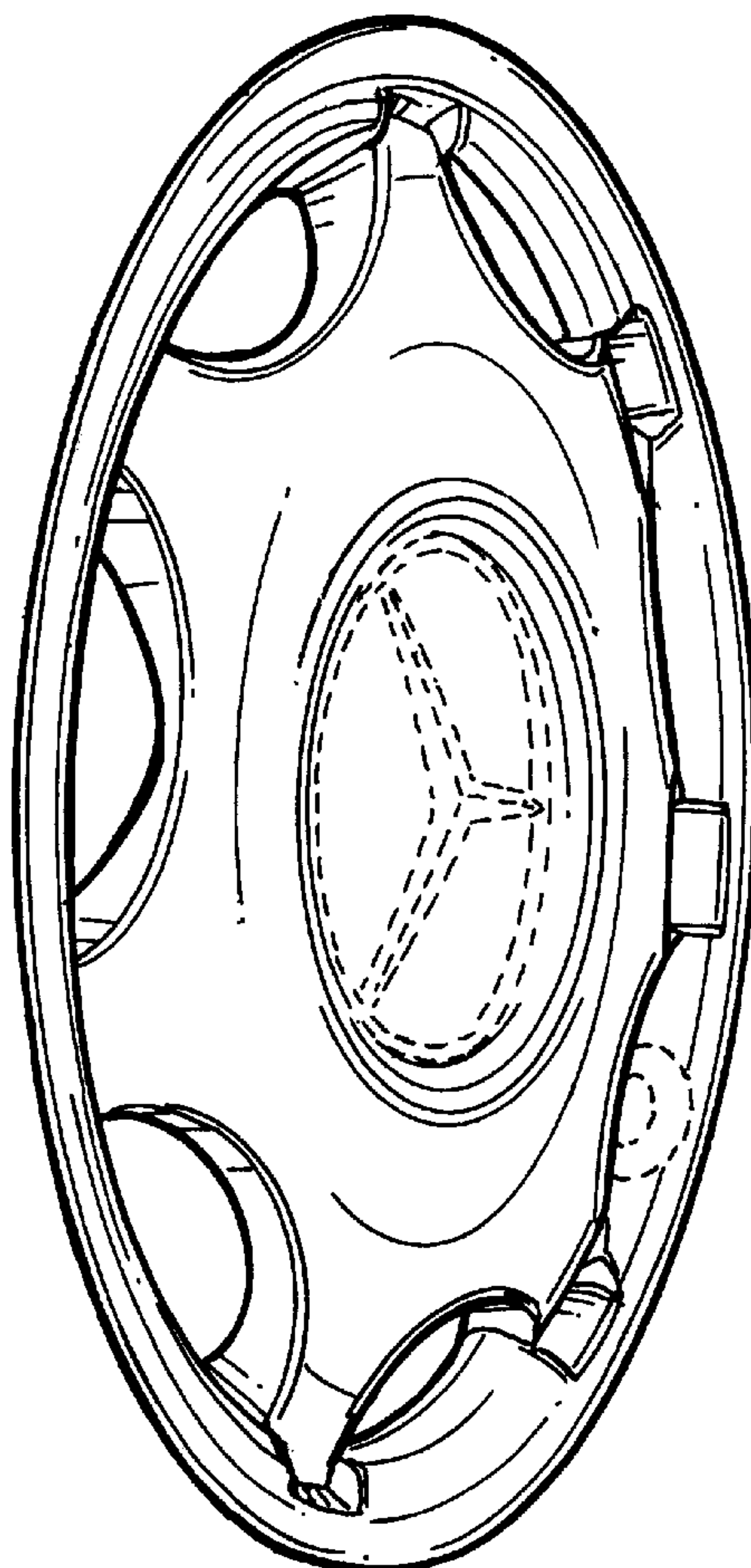
(57) **CLAIM**

The ornamental design for a front face of a vehicle wheel, as shown and described.

DESCRIPTION

FIG. 1 is a front view of a front face of a vehicle wheel according to my novel design; and, FIG. 2 is a perspective view of the front face of a vehicle wheel according to my novel design. The dash lines included depict environment and are not part of the claimed design.

1 Claim, 1 Drawing Sheet



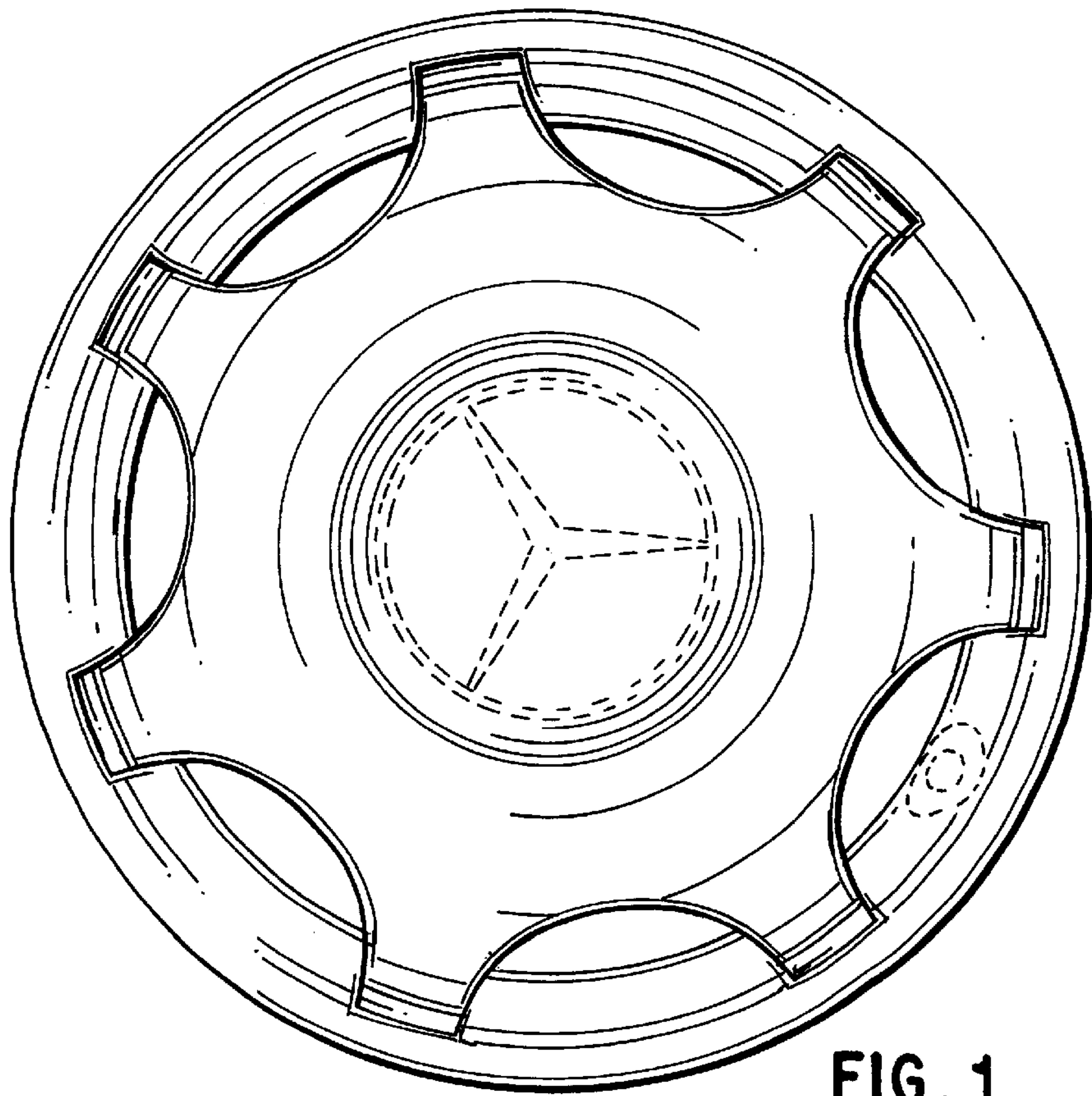


FIG. 1

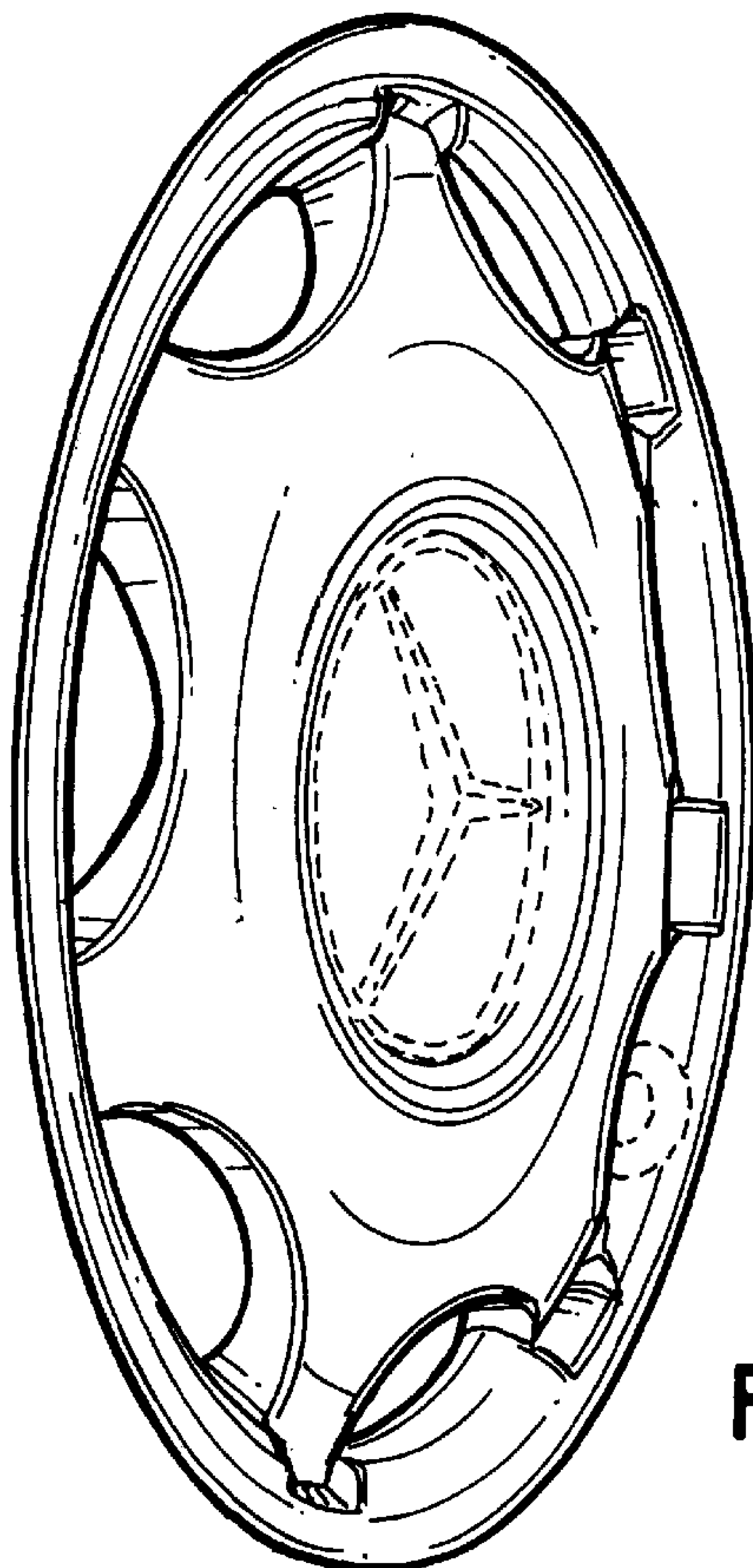


FIG. 2