



US00D446175S

(12) **United States Design Patent**
Hoyle, Jr.

(10) **Patent No.:** **US D446,175 S**

(45) **Date of Patent:** **** Aug. 7, 2001**

(54) **PORTION OF TRUCK COWL HOOD**

(75) **Inventor:** **Frederick L. Hoyle, Jr.**, Pickerington, OH (US)

(73) **Assignee:** **Reflexxion Automotive Products LLC**, Memphis, TN (US); a part interest

(**) **Term:** **14 Years**

(21) **Appl. No.:** **29/122,873**

(22) **Filed:** **May 4, 2000**

Related U.S. Application Data

(63) Continuation-in-part of application No. 29/115,347, filed on Dec. 13, 1999, now Pat. No. Des. 427,123.

(51) **LOC (7) Cl.** **12-16**

(52) **U.S. Cl.** **D12/173**

(58) **Field of Search** D12/173, 90-92;
180/69.21, 69.2, 69.22, 69.25

(56) **References Cited**

U.S. PATENT DOCUMENTS

- D. 353,124 * 12/1994 Benningfield D12/173
- D. 385,242 * 10/1997 Grabo et al. D12/173
- D. 386,457 * 11/1997 Wittive et al. D12/173
- D. 391,909 * 3/1998 Wittive D12/173
- D. 399,463 * 10/1998 Grabo et al. D12/173
- D. 427,122 6/2000 Hoyle, Jr. .
- D. 427,123 6/2000 Hoyle, Jr. .
- D. 429,670 8/2000 Hoyle, Jr. .

- D. 430,084 8/2000 Hoyle, Jr. .
- D. 430,085 8/2000 Hoyle, Jr. .
- 5,136,276 8/1992 Wayne .
- 5,157,377 10/1992 Wayne .
- 5,292,166 3/1994 Emery .

OTHER PUBLICATIONS

Reflexxion Automotive Products brochure—1998 Chrome & Steel Accessory Guide (Cowl Hoods, Steps, Bumpers, Air Dams).*

* cited by examiner

Primary Examiner—Melody N. Brown

(74) *Attorney, Agent, or Firm*—Jacobson Holman, PLLC

(57) **CLAIM**

The ornamental design for a portion of truck cowl hood, as shown and described.

DESCRIPTION

FIG. 1 is a top plan view of the portion of truck cowl hood forming a part of the present design;

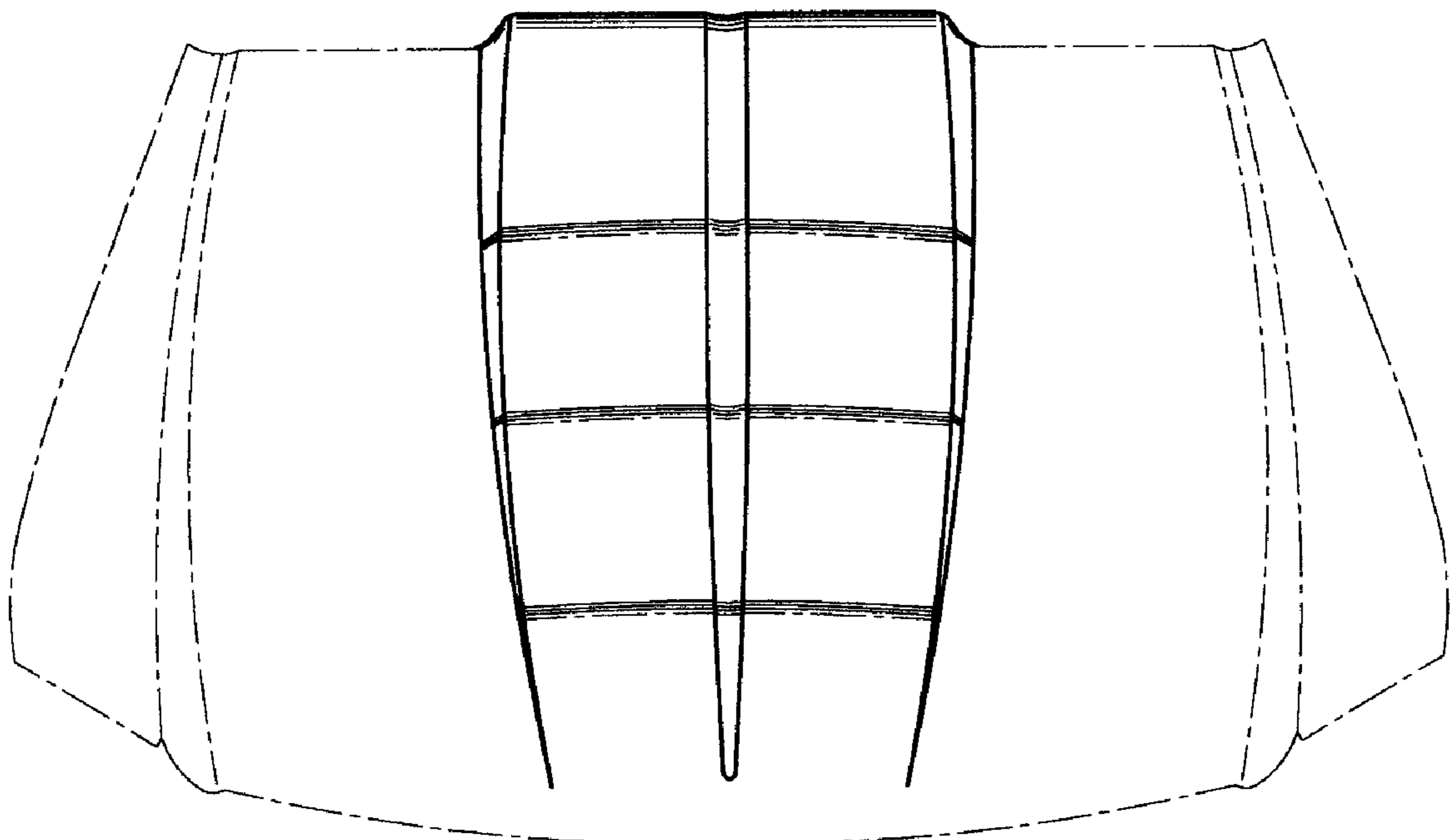
FIG. 2 is a front view forming a part of the present design;

FIG. 3 is a perspective right side view forming a part of the present design, a corresponding left side being a mirror image thereof; and,

FIG. 4 is a rear view of the portion of the truck cowl hood forming a part of the present design.

The hood portions shown in broken lines are for illustrative purposes only and form no part of the claimed design;

1 Claim, 1 Drawing Sheet



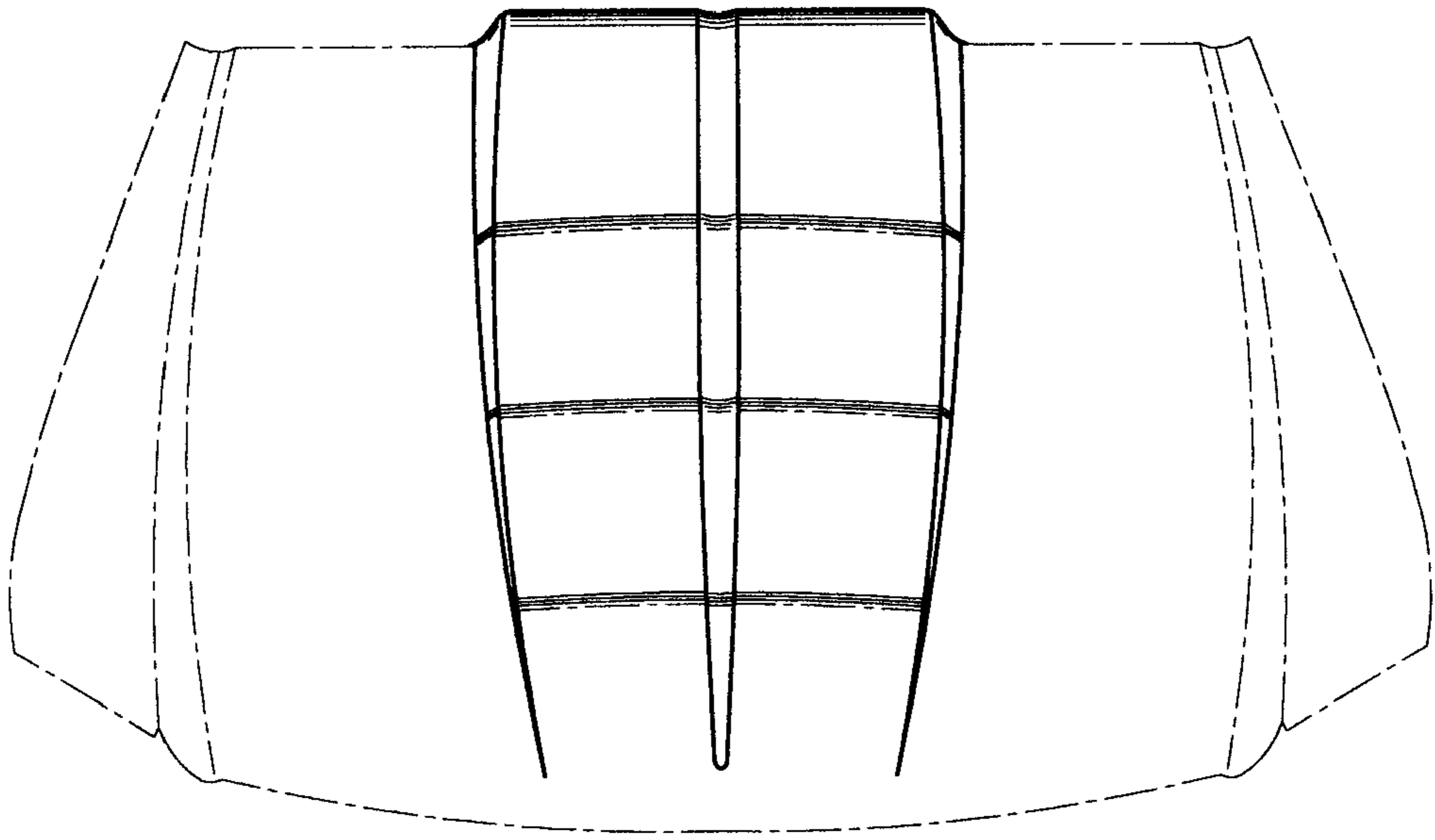


FIG. 1

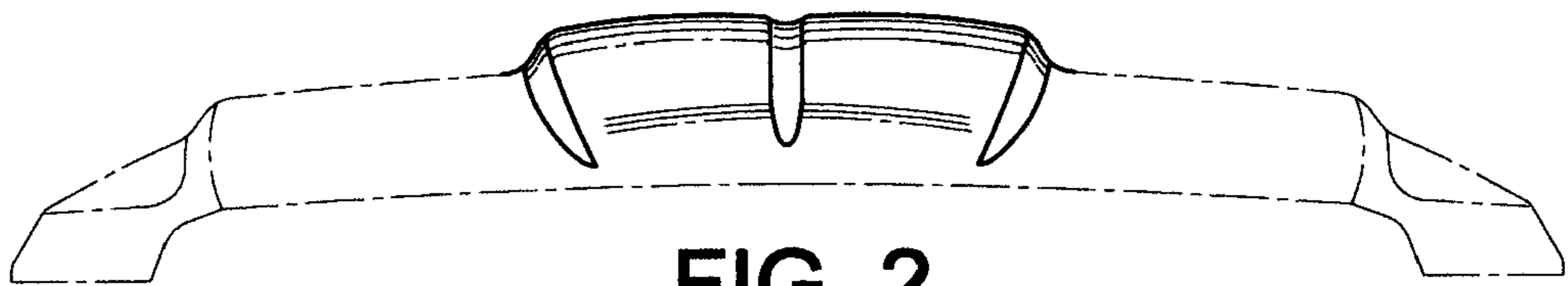


FIG. 2

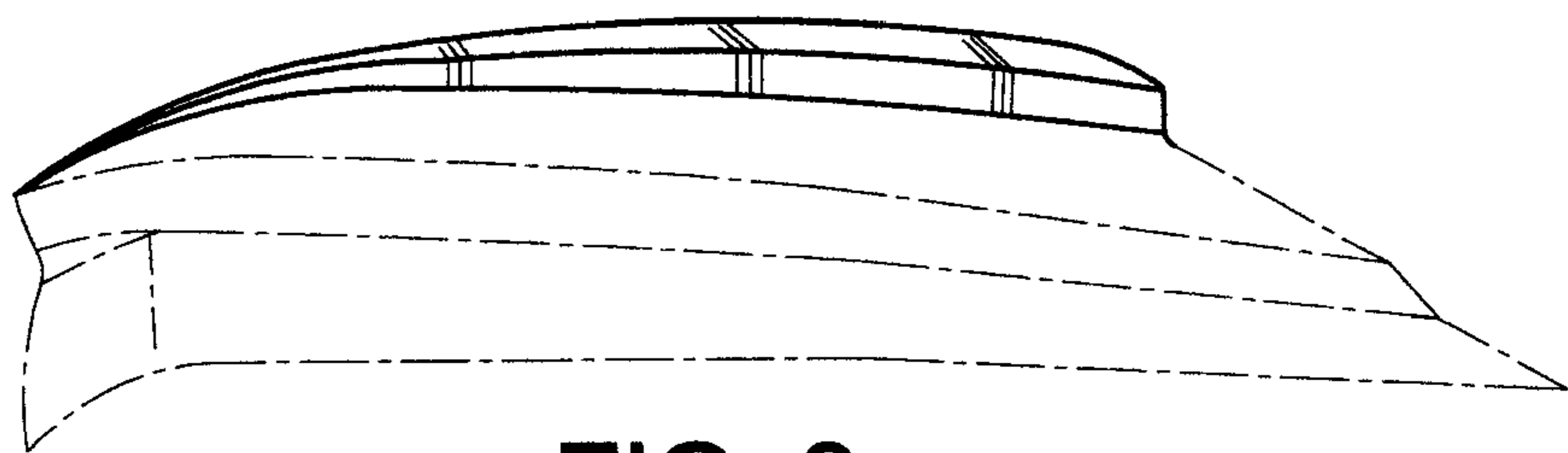


FIG. 3

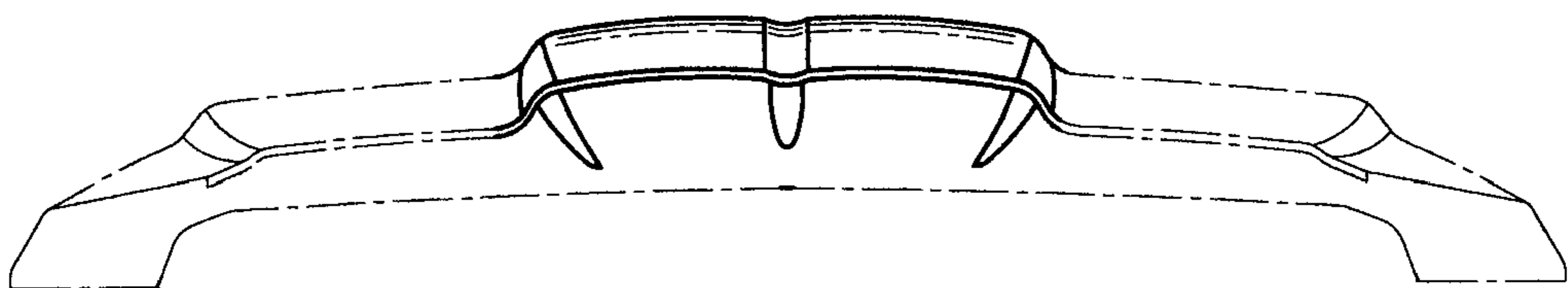


FIG. 4