



US00D446168S

(12) **United States Design Patent**
Boyanich, Sr.

(10) **Patent No.:** **US D446,168 S**

(45) **Date of Patent:** **** Aug. 7, 2001**

(54) **VEHICLE BODY FOR A 4 WHEEL BIKE
AND/OR CAR CHASSIS**

- D. 93,952 * 11/1934 Theobald D12/92
- D. 95,303 * 4/1935 Andrade D12/92
- D. 380,420 * 7/1997 Croteau D12/91
- D. 391,900 * 3/1998 Skoog D12/91

(75) **Inventor:** **Milan D. Boyanich, Sr.**, 30 Iron Ridge
La., Simi Valley, CA (US) 93065

* cited by examiner

(73) **Assignee:** **Milan D. Boyanich, Sr.**, Simi Valley,
CA (US)

Primary Examiner—Alan P. Douglas

(**) **Term:** **14 Years**

(57) **CLAIM**

(21) **Appl. No.:** **29/109,873**

The ornamental design for a vehicle body for a 4 wheel bike and/or car chassis, as shown.

(22) **Filed:** **Aug. 25, 1999**

DESCRIPTION

(51) **LOC (7) Cl.** **12-08**

(52) **U.S. Cl.** **D12/92**

(58) **Field of Search** D12/91, 90, 92;
296/185

FIG. 1 is a perspective view taken from the right rear of a vehicle body designed for a 4-wheel chassis for pedal, electric or gas cars and/or bikes showing my new design; FIG. 2 is a left side view, thereof view.

FIG. 3 is a right side view, thereof

FIG. 4 is a front view, thereof; and,

FIG. 5 is a rear view, thereof.

The broken line showing of wheels is for illustrative purposes only and forms no part of the claimed design.

(56) **References Cited**

U.S. PATENT DOCUMENTS

- D. 84,020 * 4/1931 Widman D12/92
- D. 89,787 * 5/1933 Northup D12/91

1 Claim, 3 Drawing Sheets

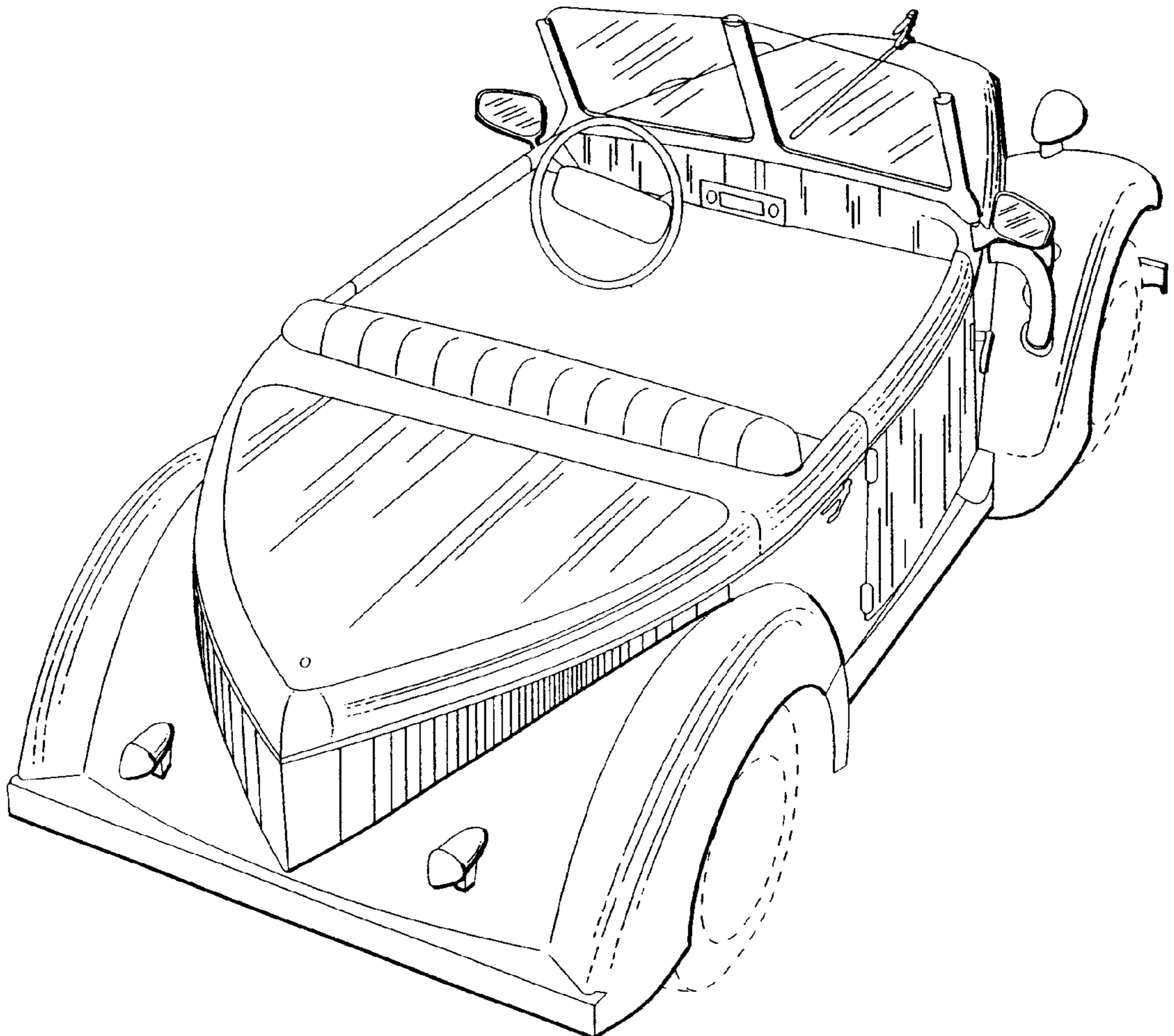


Fig. 1

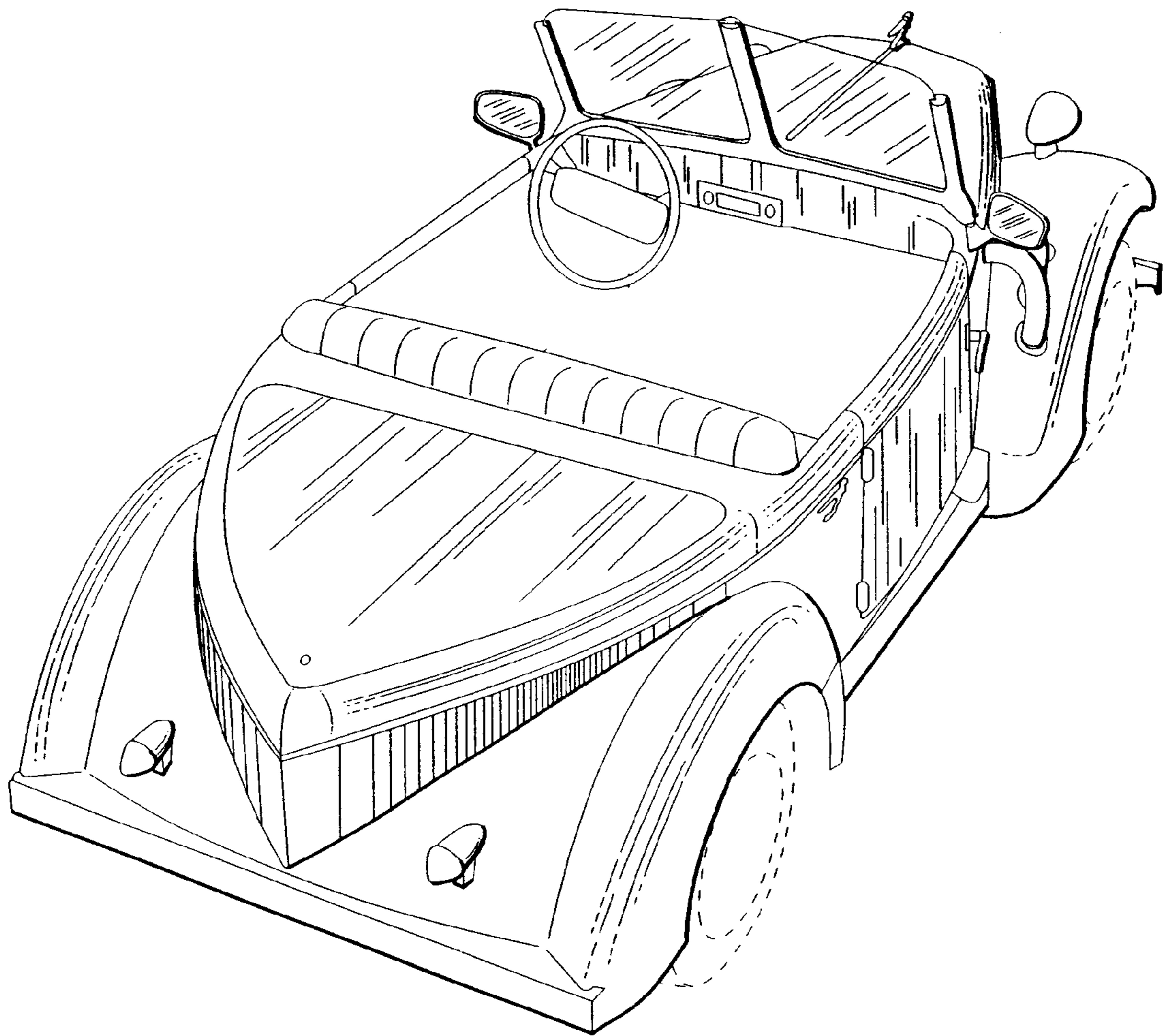


Fig. 2

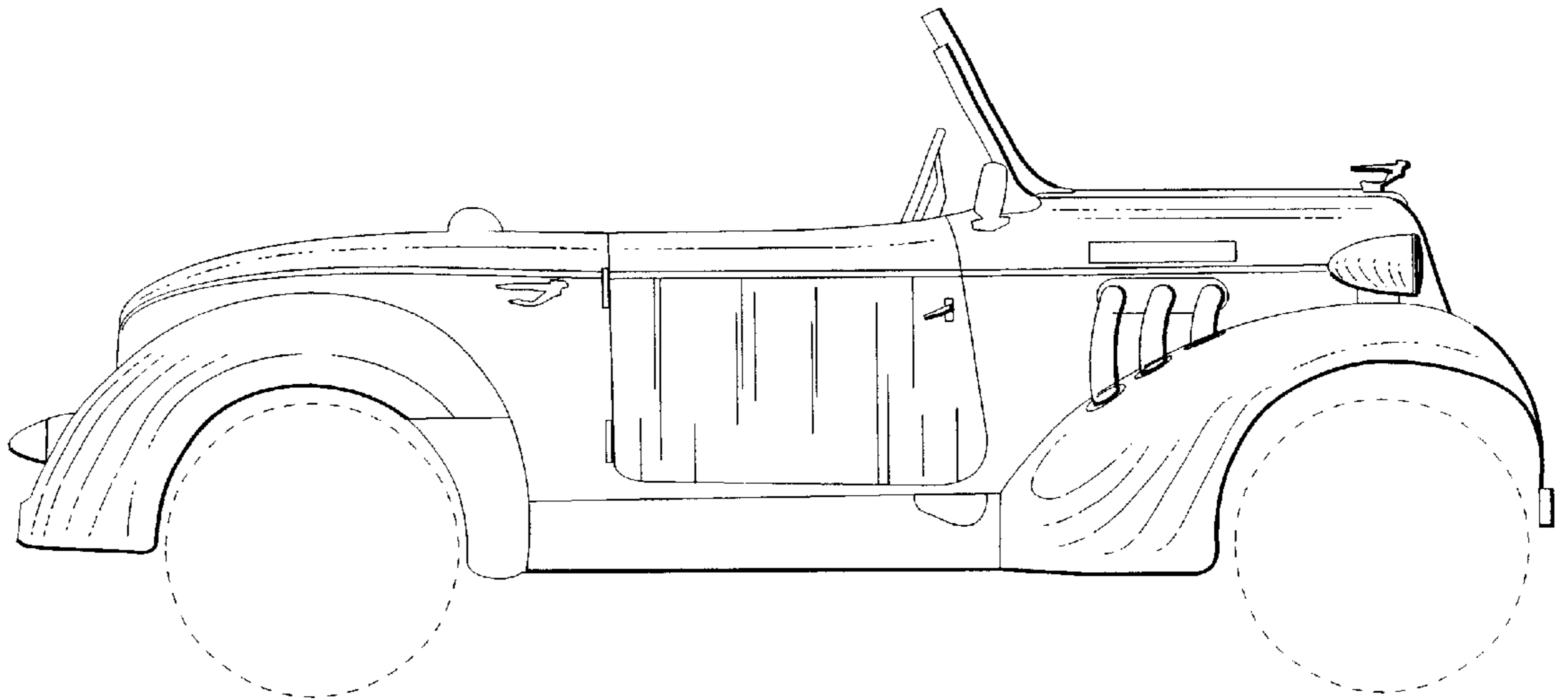


Fig. 3

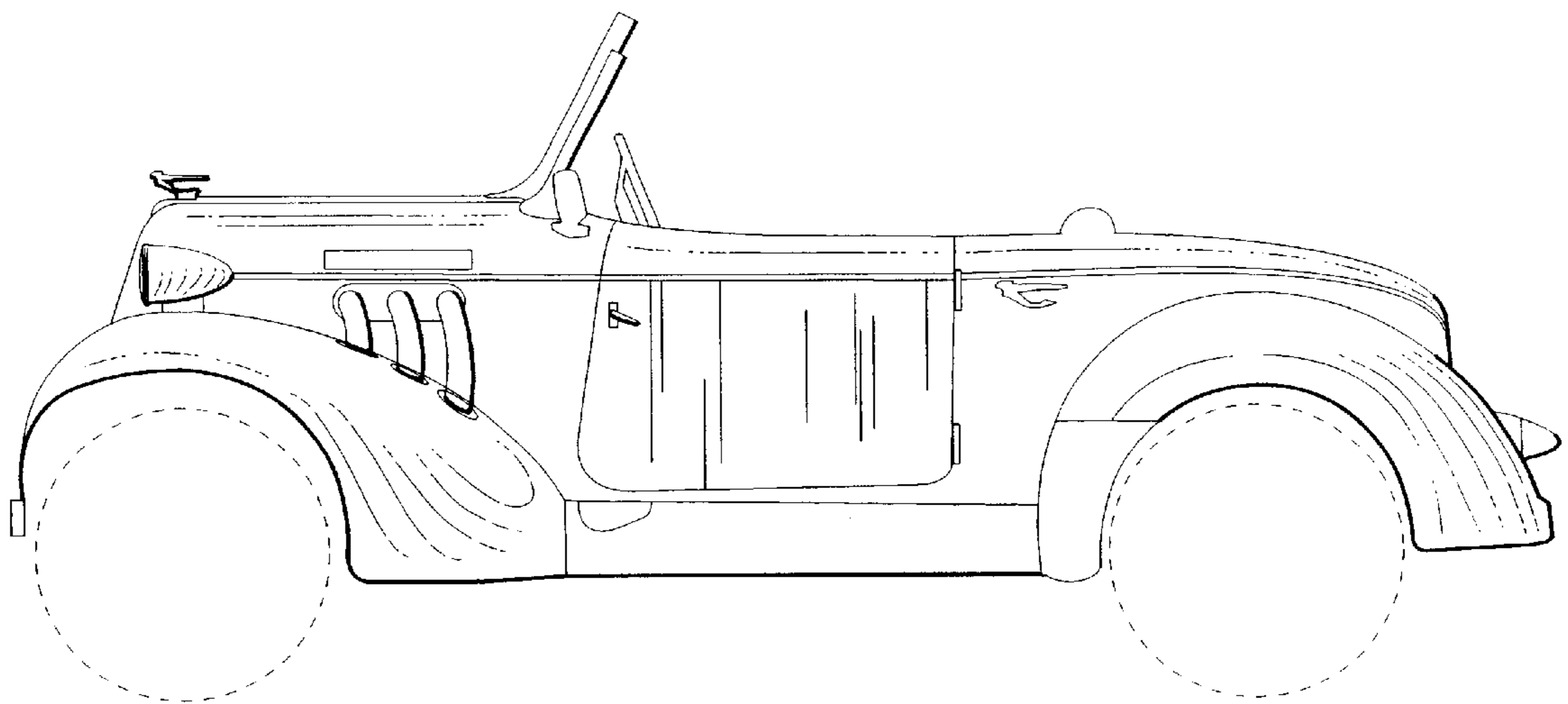


Fig. 4

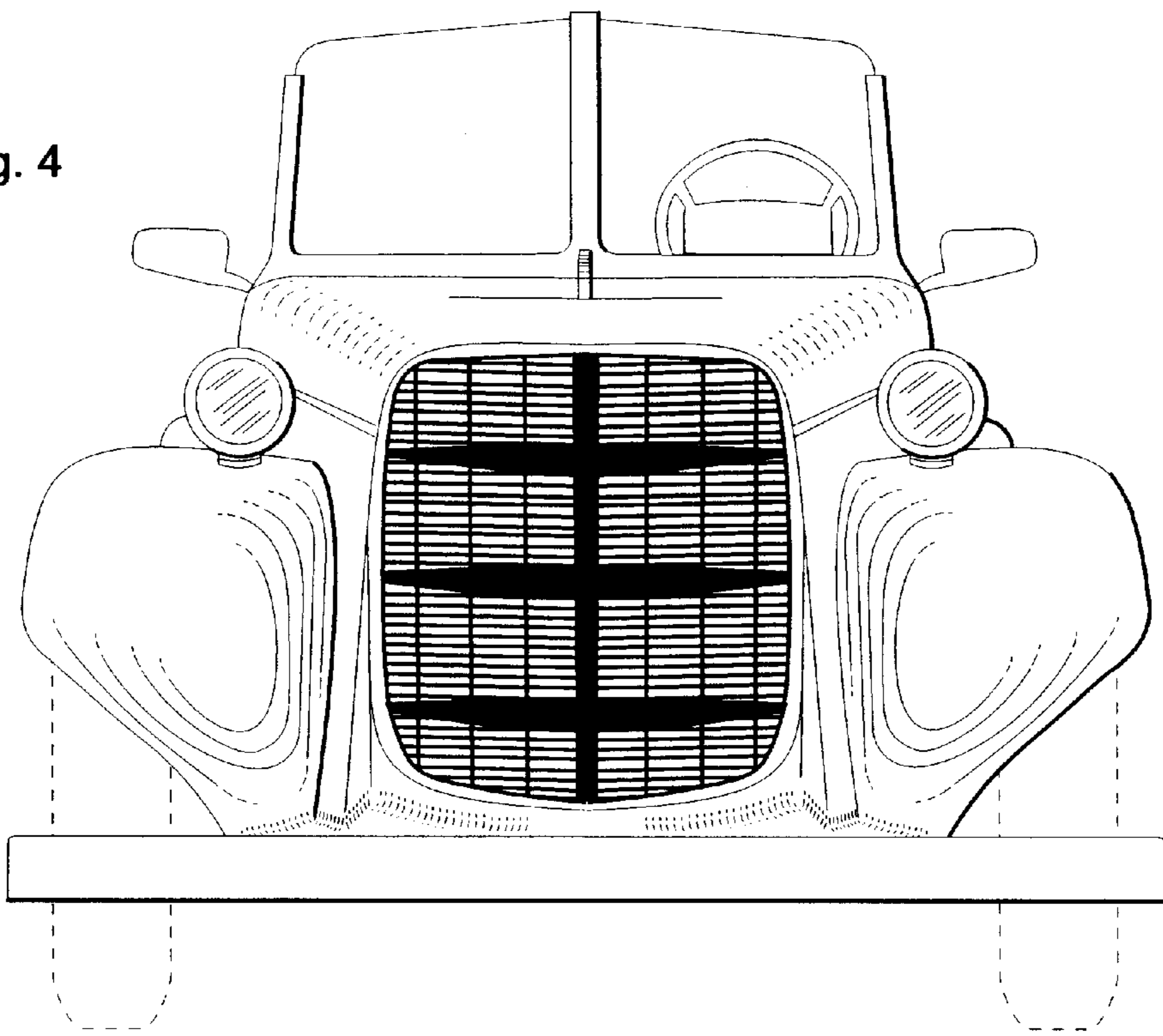


Fig. 5

