



US00D446165S

(12) **United States Design Patent**
Yoneoka

(10) **Patent No.:** **US D446,165 S**

(45) **Date of Patent:** **** Aug. 7, 2001**

(54) **SLIDER FOR A SLIDE FASTENER**

FOREIGN PATENT DOCUMENTS

(75) Inventor: **Morimasa Yoneoka**, Toyama-ken (JP)

B9-11491 10/1985 (JP) .

(73) Assignee: **YKK Corporation**, Tokyo (JP)

* cited by examiner

(**) Term: **14 Years**

Primary Examiner—Ralf Seifert

(74) *Attorney, Agent, or Firm*—Finnegan, Henderson, Farabow, Garrett & Dunner, L.L.P.

(21) Appl. No.: **29/118,522**

(57) **CLAIM**

(22) Filed: **Feb. 10, 2000**

The ornamental design for a slider for a slide fastener, as shown and described.

(30) **Foreign Application Priority Data**

DESCRIPTION

Aug. 26, 1999 (JP) 11-23030

(51) **LOC (7) Cl.** **02-07**

(52) **U.S. Cl.** **D11/221**

(58) **Field of Search** D11/200, 221;
24/415, 421, 419, 381, 416, 417, 427-431;
70/456; 264/252

FIG. 1 is a front view of a slider for a slide fastener.

FIG. 2 is a rear view of the slider of FIG. 1.

FIG. 3 is a plan view of the slider of FIG. 1.

FIG. 4 is a base view of the slider of FIG. 1.

FIG. 5 is a left side view of the slider of FIG. 1.

FIG. 6 is a right side view of the slider of FIG. 1.

FIG. 7 is a cross-sectional view taken along the line 7—7 of FIG. 1;

FIG. 8 is a cross-sectional view taken along the line 8—8 of FIG. 1; and,

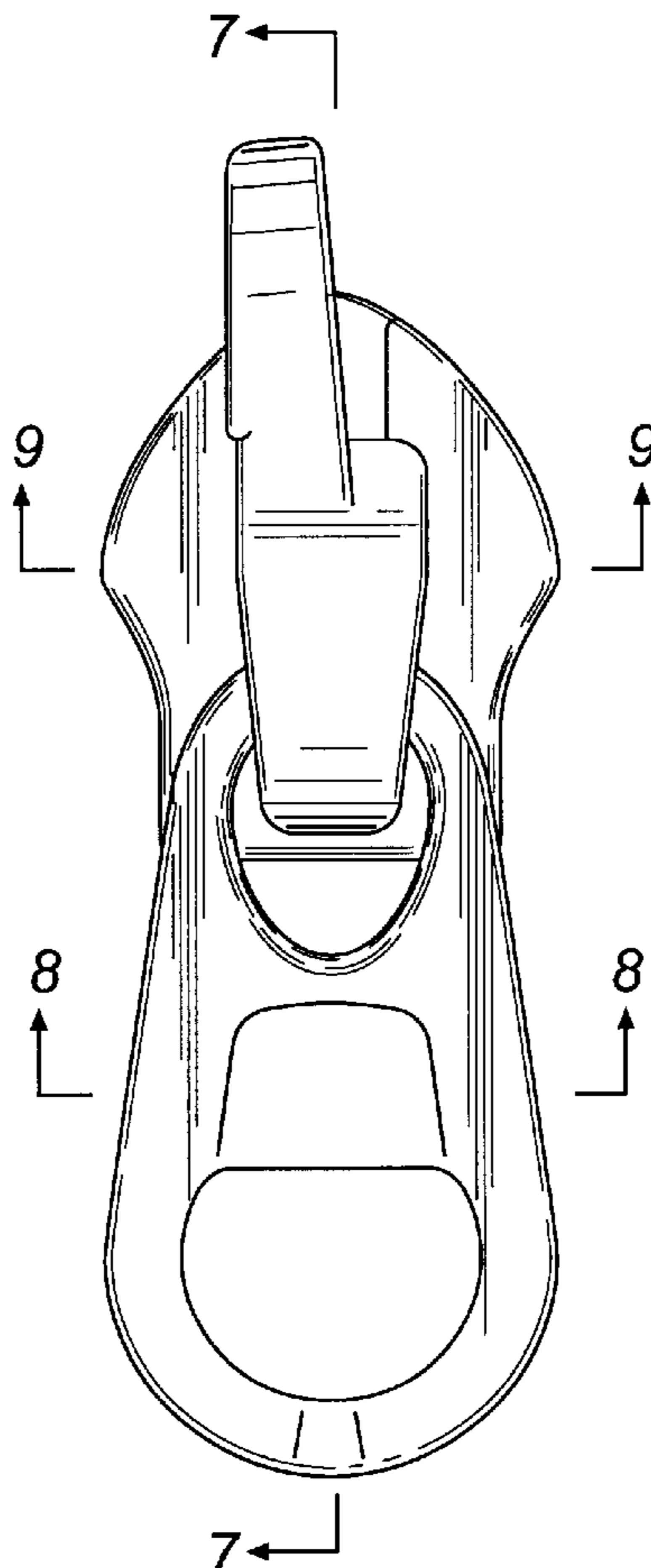
FIG. 9 is a cross-sectional view taken along the line 9—9 of FIG. 1.

(56) **References Cited**

U.S. PATENT DOCUMENTS

- D. 291,546 * 8/1987 Oda D11/221
- D. 315,701 * 3/1991 Aoki D11/221
- D. 393,431 * 4/1998 Kawamura D11/221
- 5,007,144 * 4/1991 Terada et al. 24/415

1 Claim, 4 Drawing Sheets



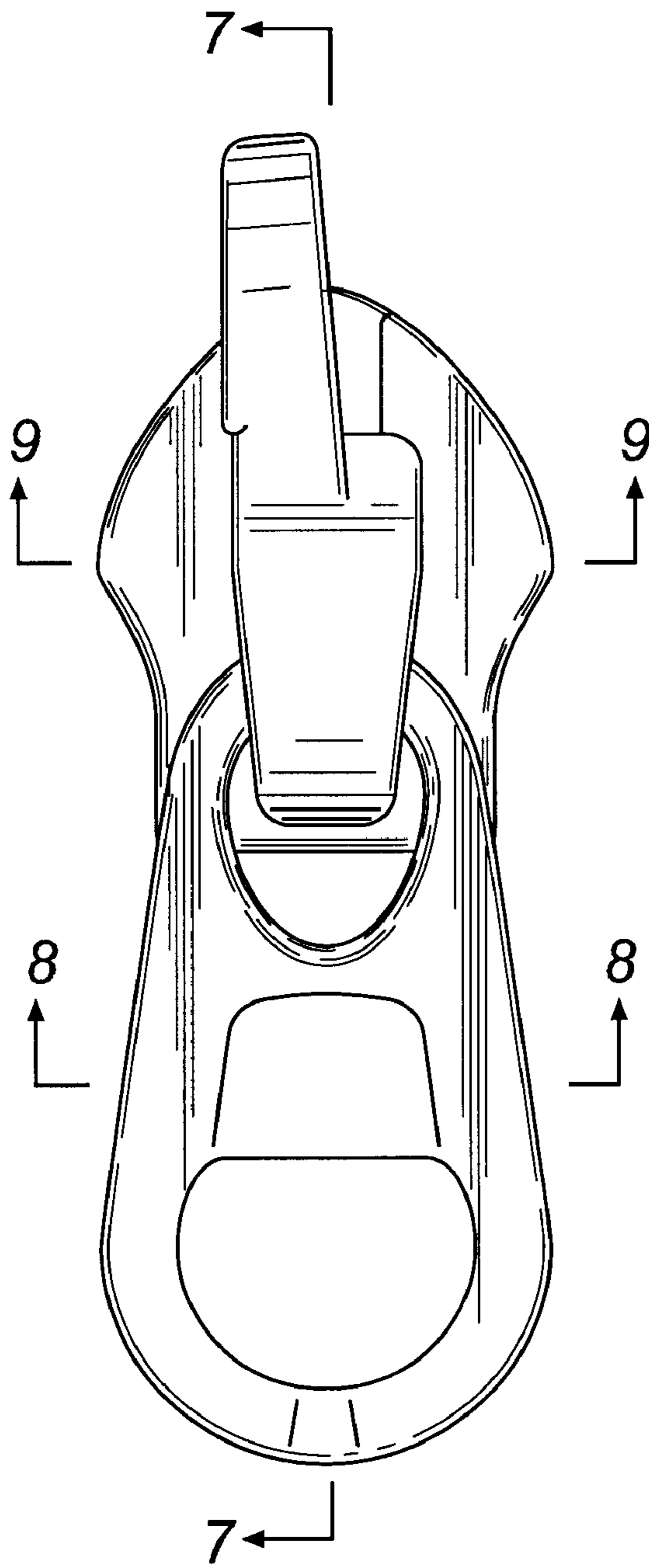


FIG. 1

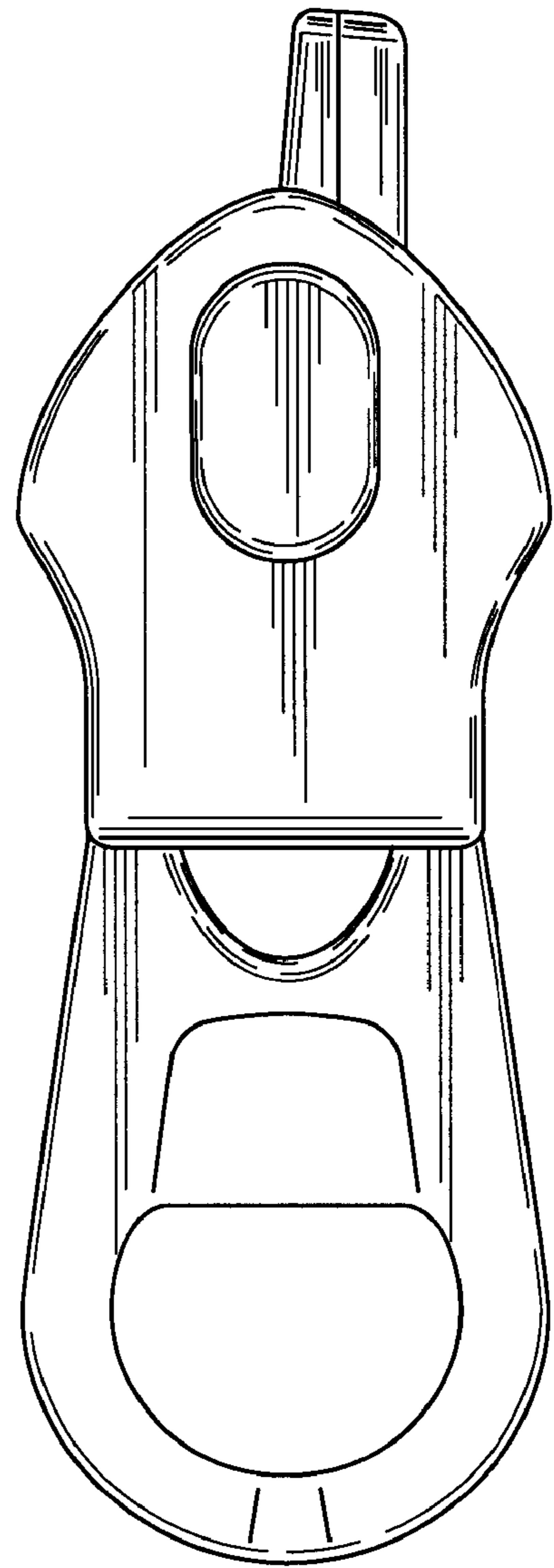


FIG. 2

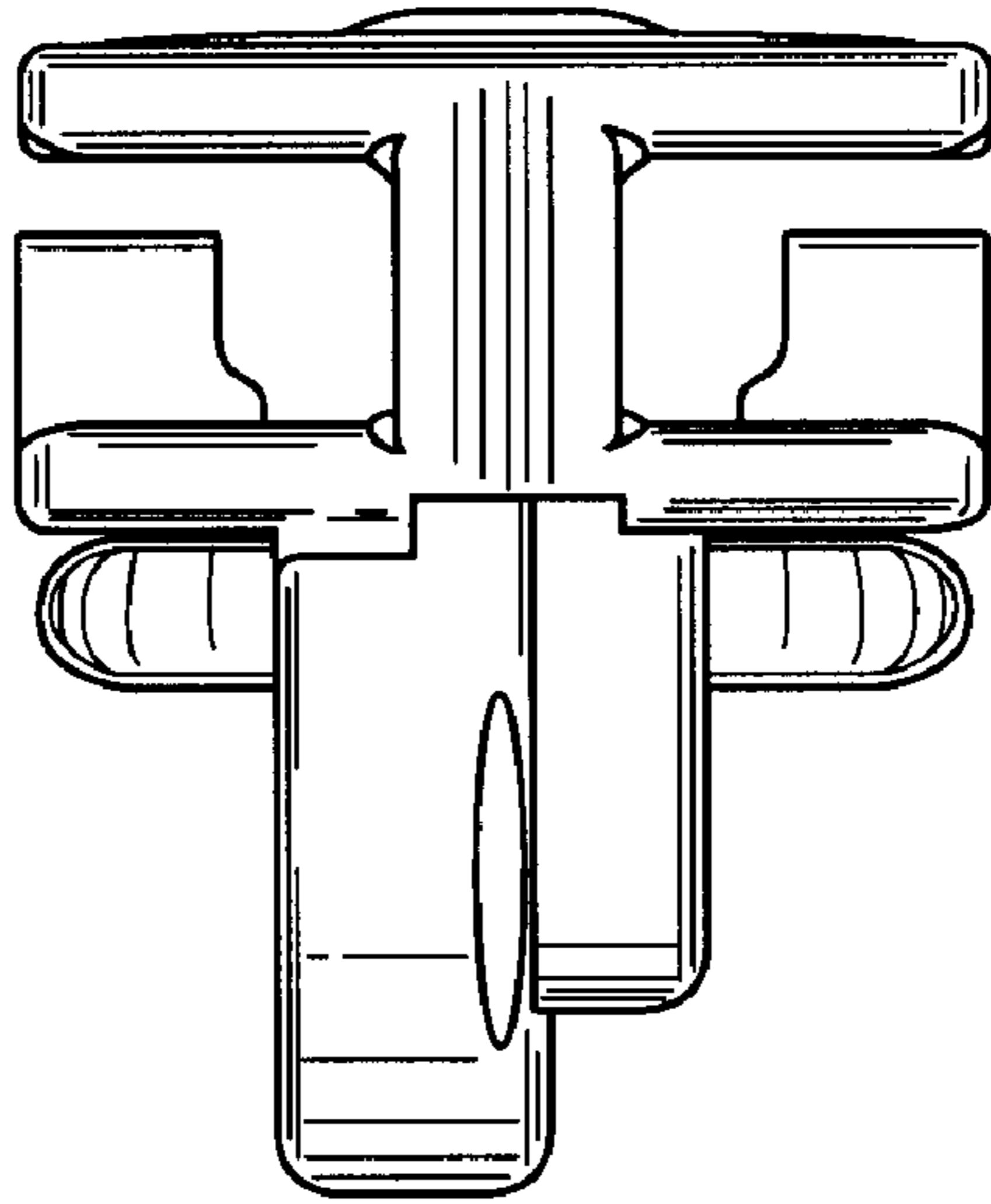


FIG. 3

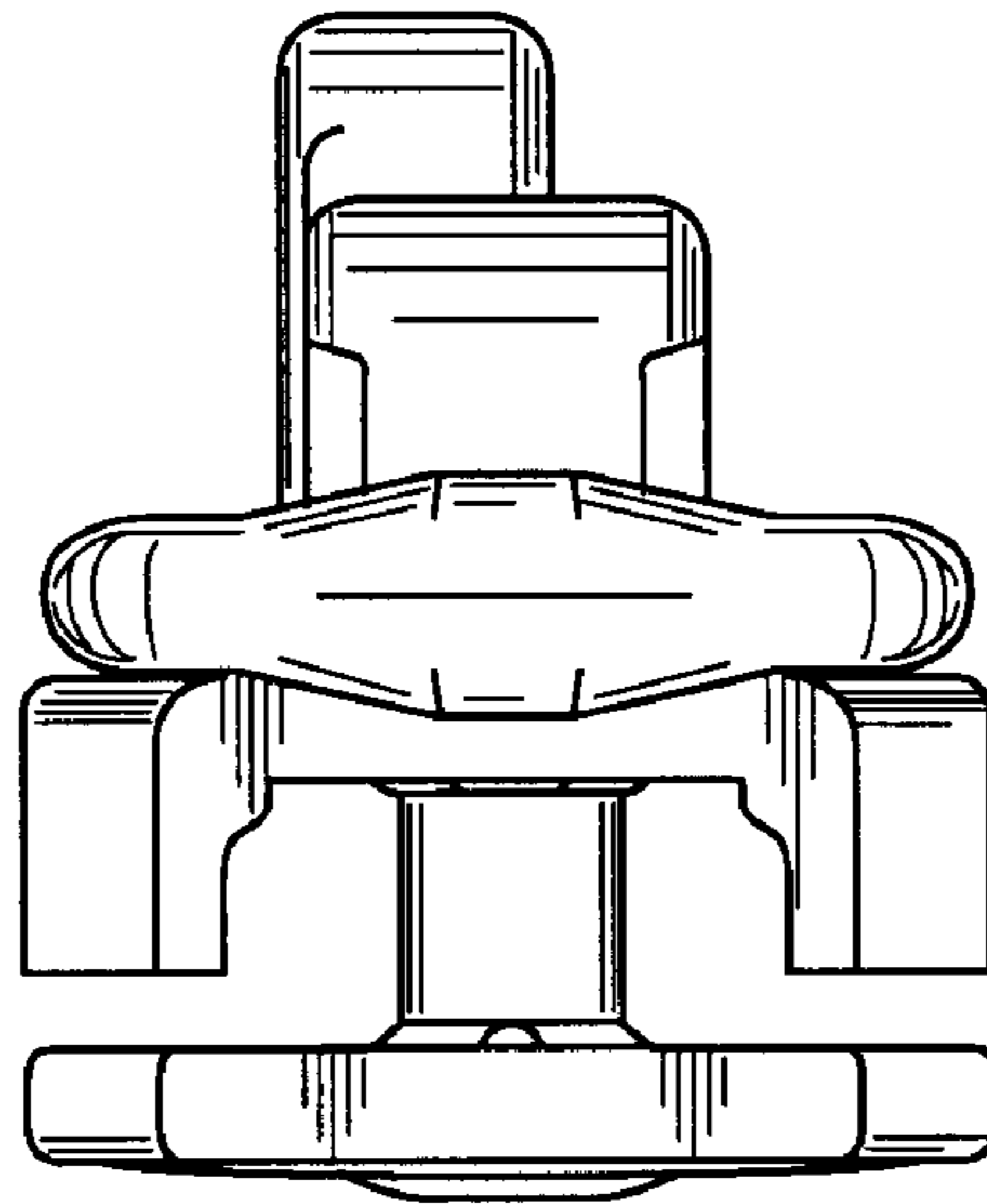


FIG. 4

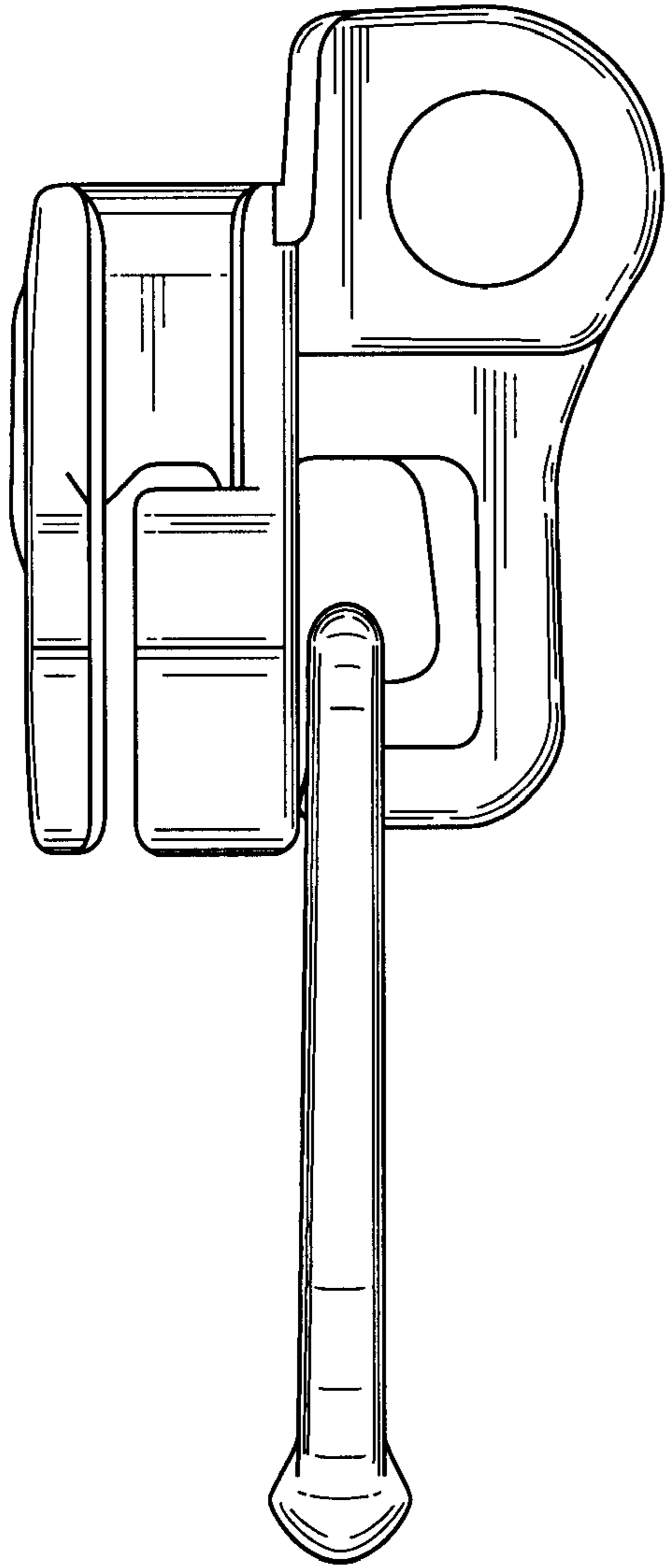


FIG. 5

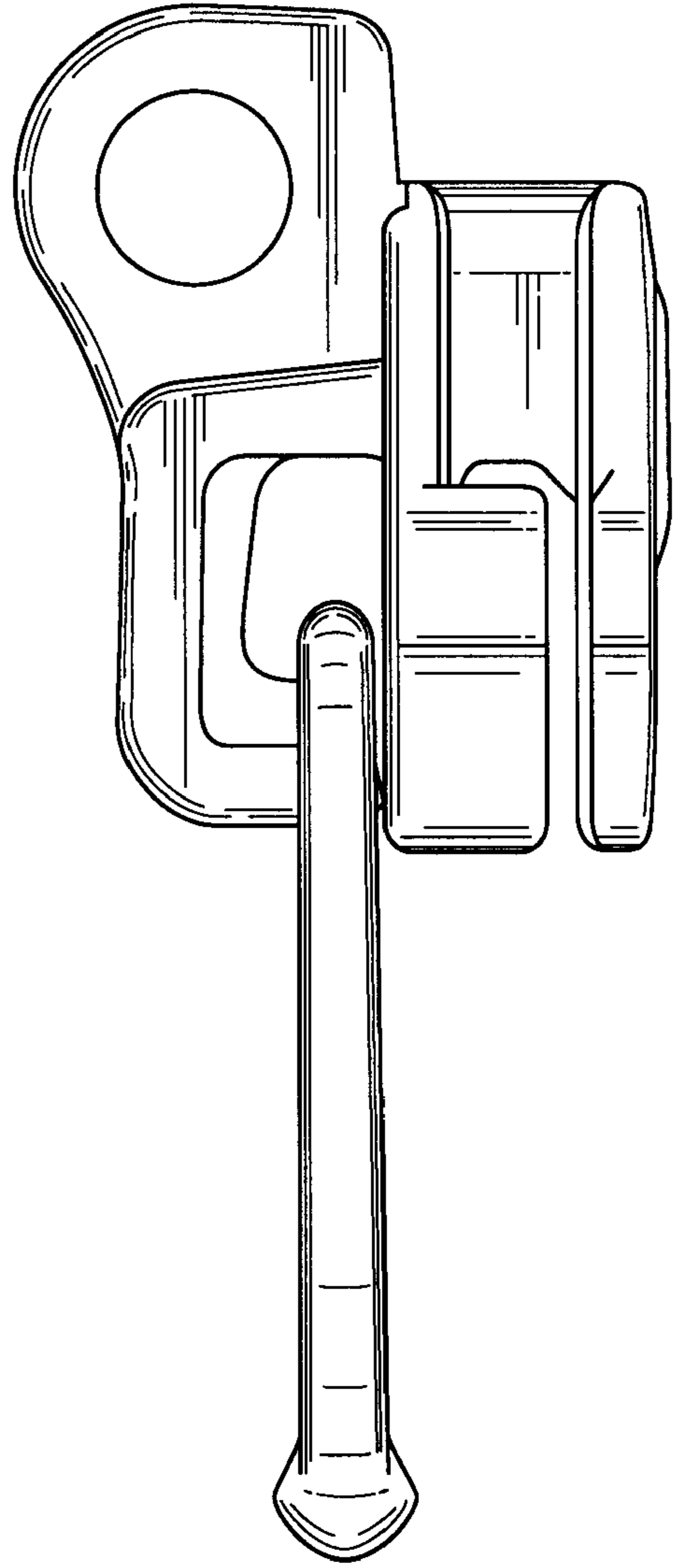


FIG. 6

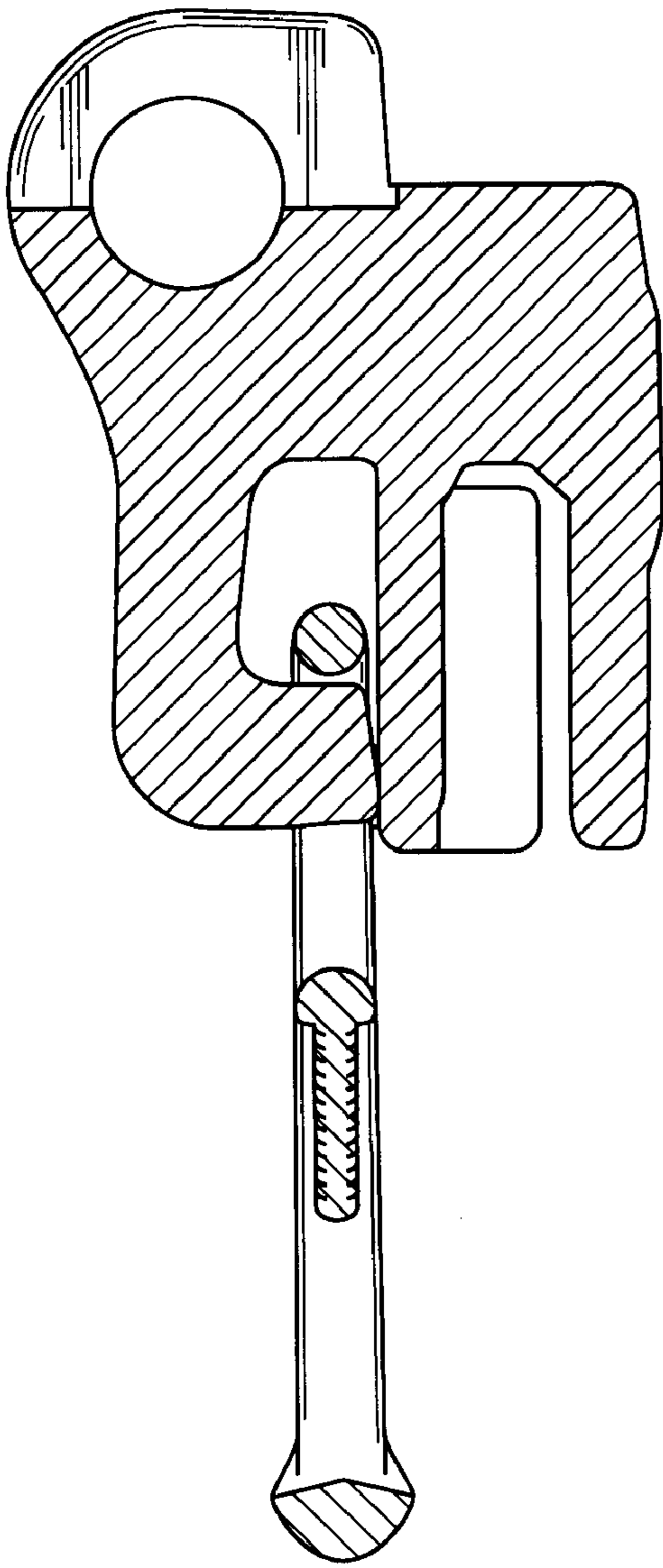


FIG. 7

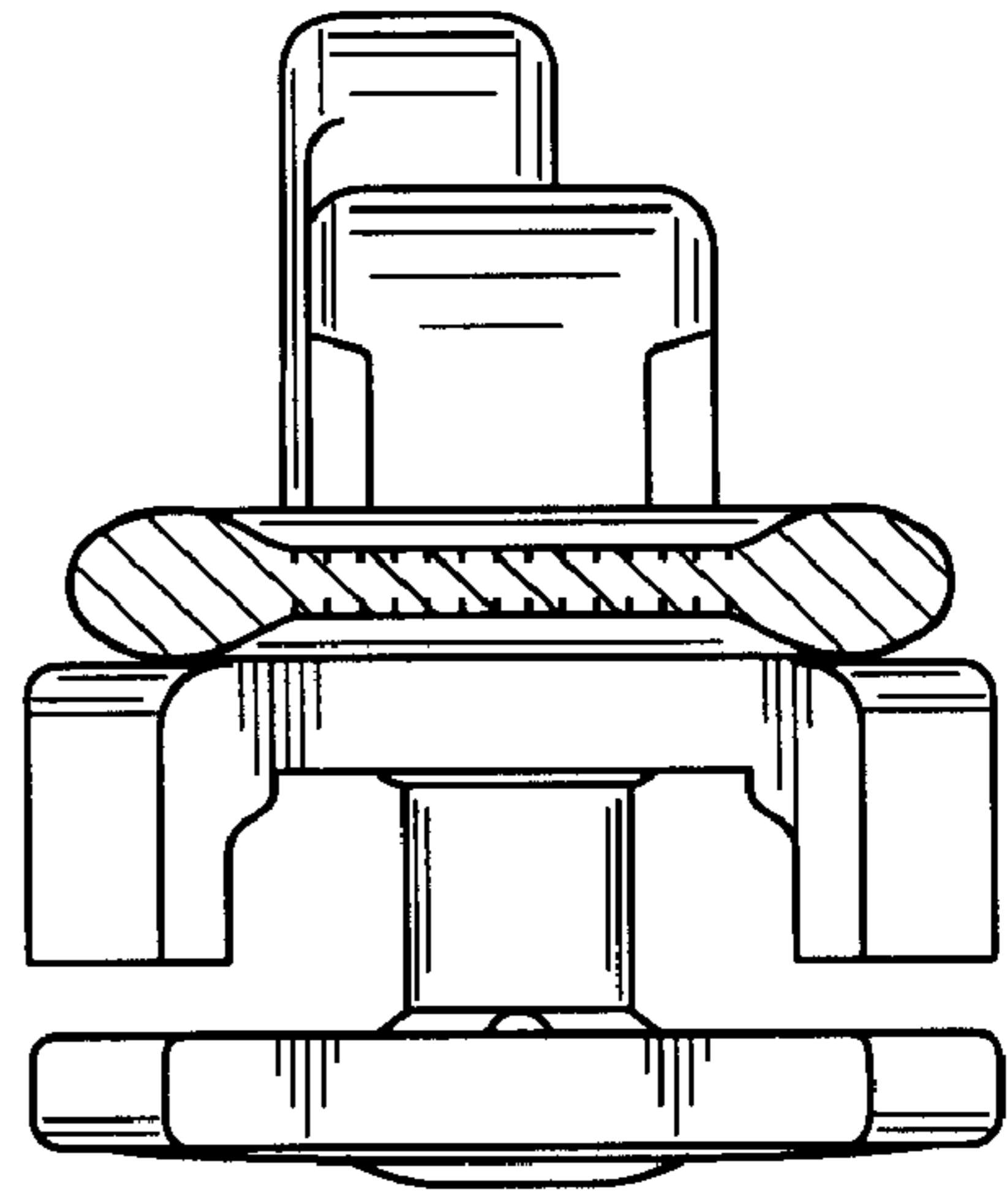


FIG. 8

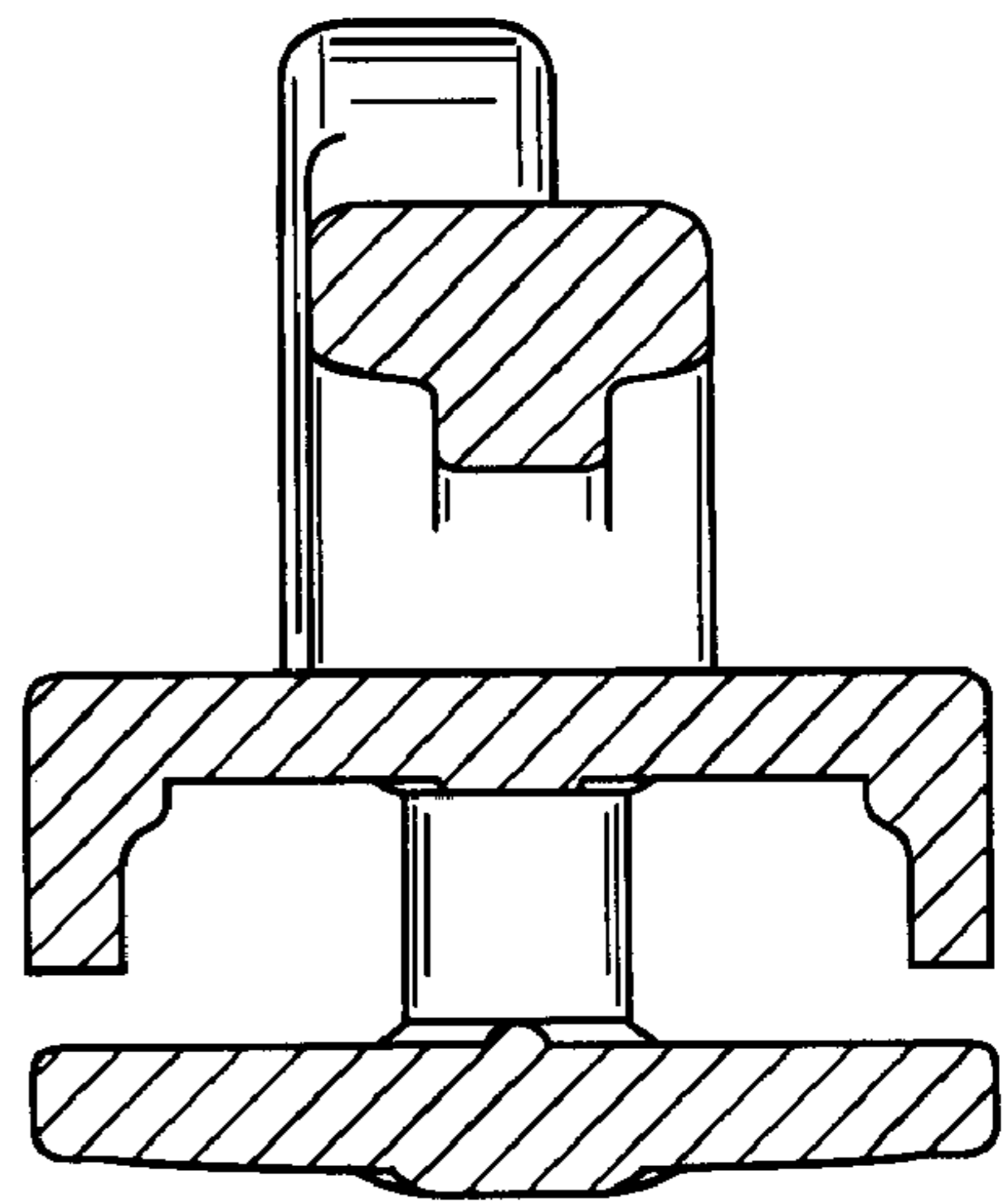


FIG. 9