



US00D446164S

(12) **United States Design Patent**
Yoneoka

(10) **Patent No.:** **US D446,164 S**

(45) **Date of Patent:** **** Aug. 7, 2001**

(54) **SLIDER BODY FOR A SLIDE FASTENER**

(75) **Inventor:** **Morimasa Yoneoka, Toyama-ken (JP)**

(73) **Assignee:** **YKK Corporation, Tokyo (JP)**

(**) **Term:** **14 Years**

(21) **Appl. No.:** **29/106,124**

(22) **Filed:** **Jun. 8, 1999**

(30) **Foreign Application Priority Data**

Jan. 18, 1999 (JP) 11-959

(51) **LOC (7) Cl.** **02-07**

(52) **U.S. Cl.** **D11/221**

(58) **Field of Search** D11/200, 221;
24/415, 430, 427, 429, 382, 416, 431, 421

(56) **References Cited**

U.S. PATENT DOCUMENTS

- D. 291,669 * 9/1987 Oda D11/221
- D. 380,988 * 7/1997 Mizuno D11/221
- D. 390,811 * 2/1998 Yagurakamaki D11/221
- 4,662,036 * 5/1987 Frohlich 24/421

* cited by examiner

Primary Examiner—Ralf Seifert

(74) *Attorney, Agent, or Firm*—Finnegan, Henderson, Farabow, Garrett & Dunner, L.L.P.

(57) **CLAIM**

The ornamental design for a slider body for a slide fastener, as shown and described.

DESCRIPTION

FIG. 1 is a front view of a slider body for a slide fastener.

FIG. 2 is a rear view of the slider body of FIG. 1.

FIG. 3 is a plan view of the slider body of FIG. 1.

FIG. 4 is a base view of the slider body of FIG. 1.

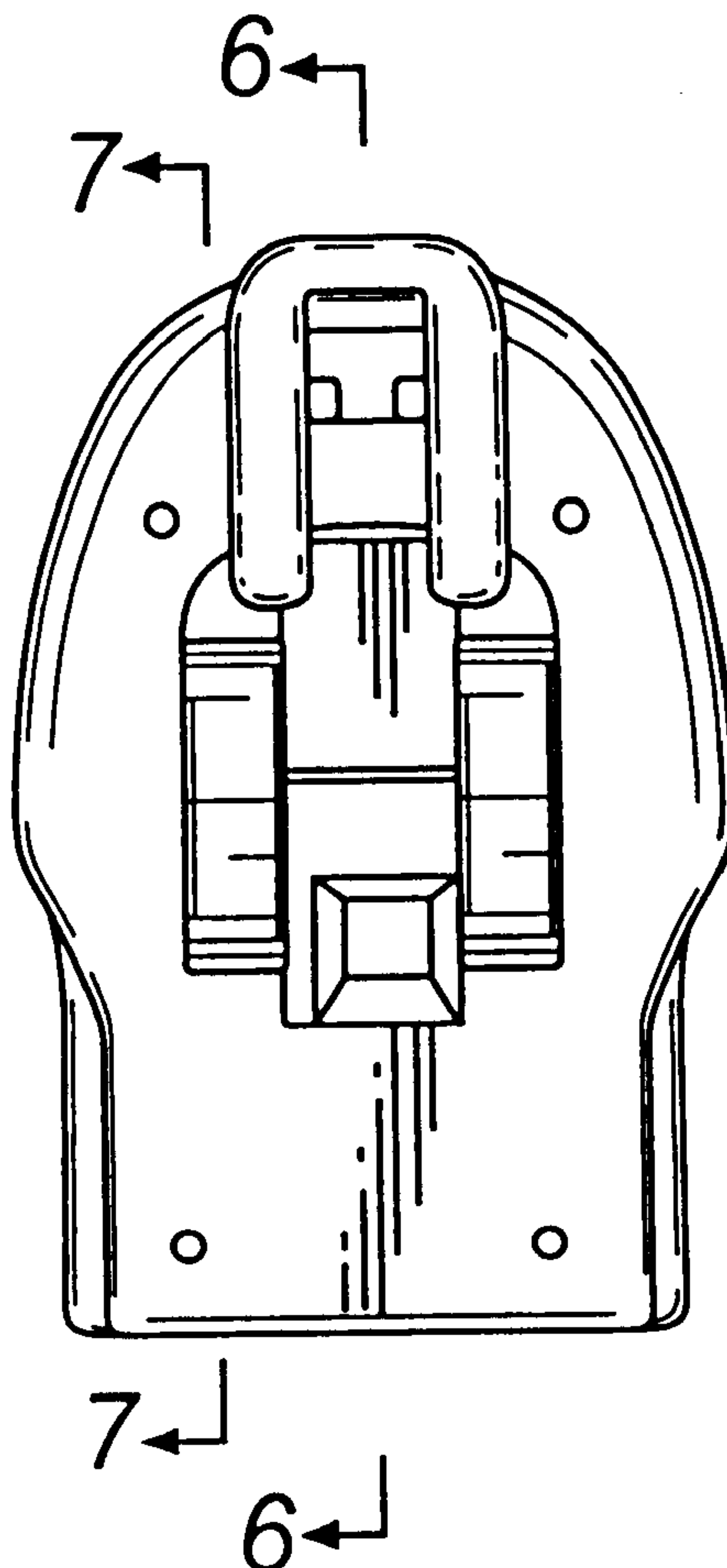
FIG. 5 is a right side view of the slider body of FIG. 1.

FIG. 6 is a cross-sectional view taken along the line 6—6 of FIG. 1;

FIG. 7 is a cross-sectional view taken along the line 7—7 of FIG. 1; and,

FIG. 8 is an front elevational view, the broken line showing of a pull tab for a slider is for illustrative purposes only and forms no part of the claimed design.

1 Claim, 3 Drawing Sheets



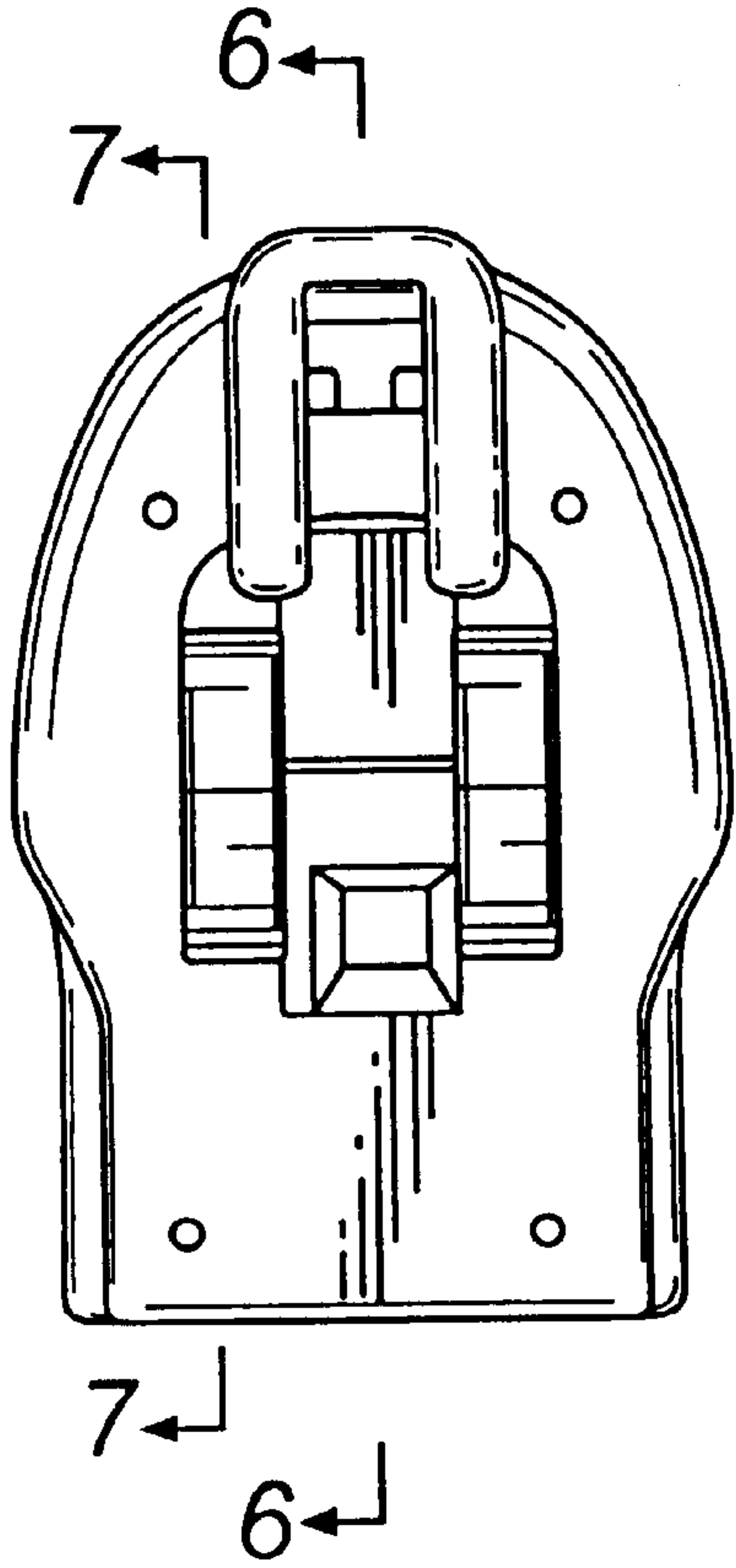


FIG. 1

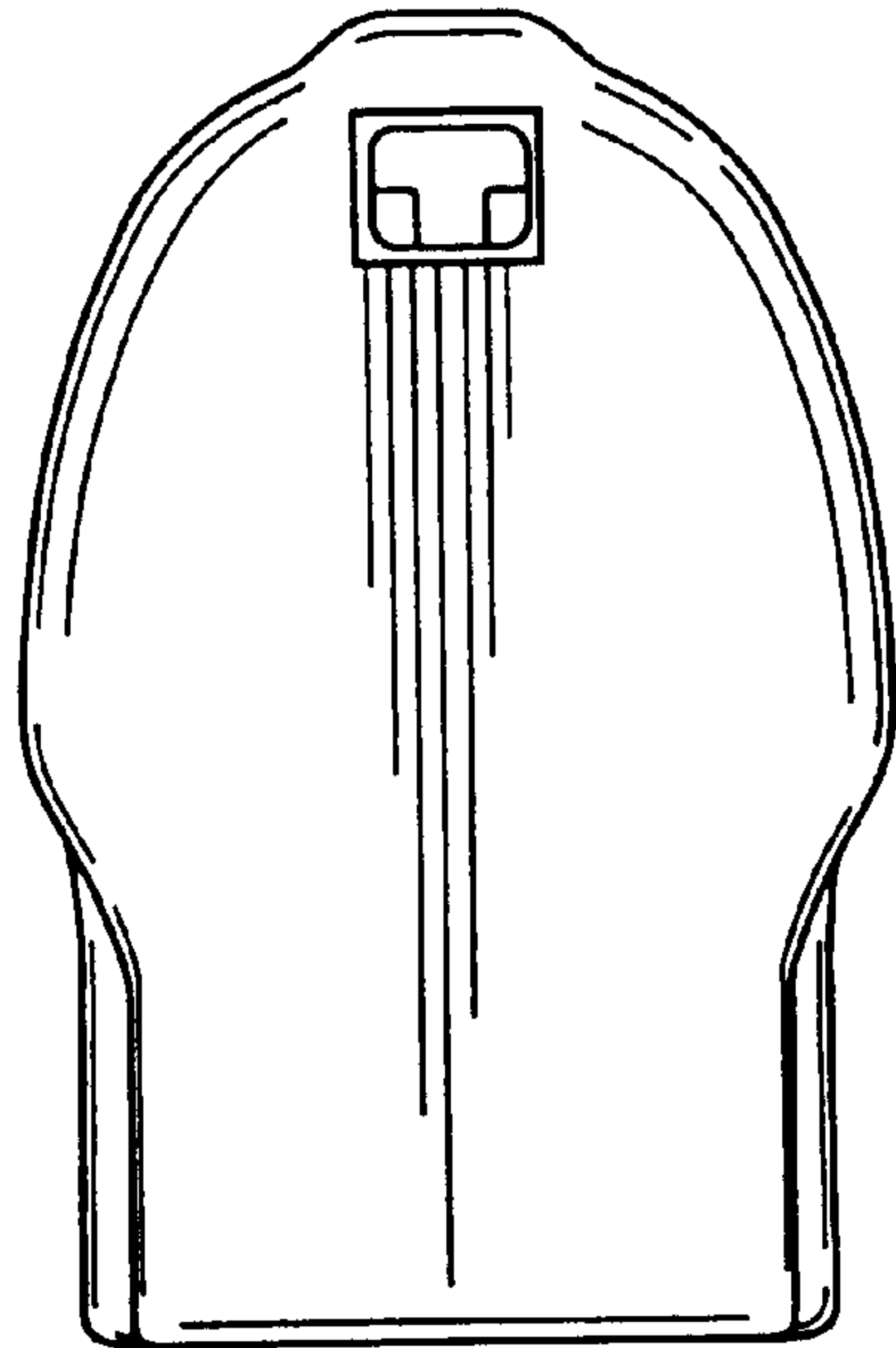


FIG. 2

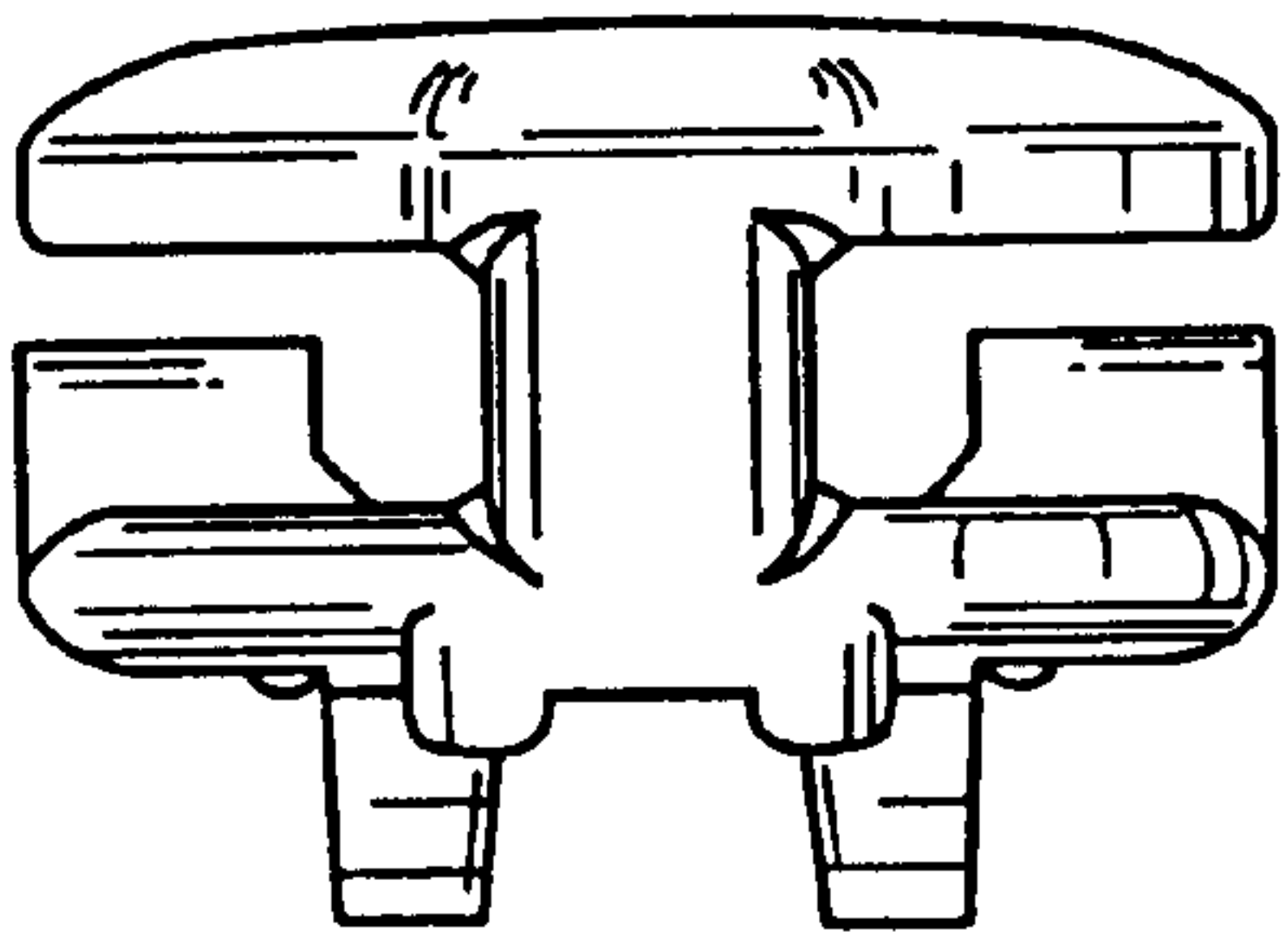


FIG. 3

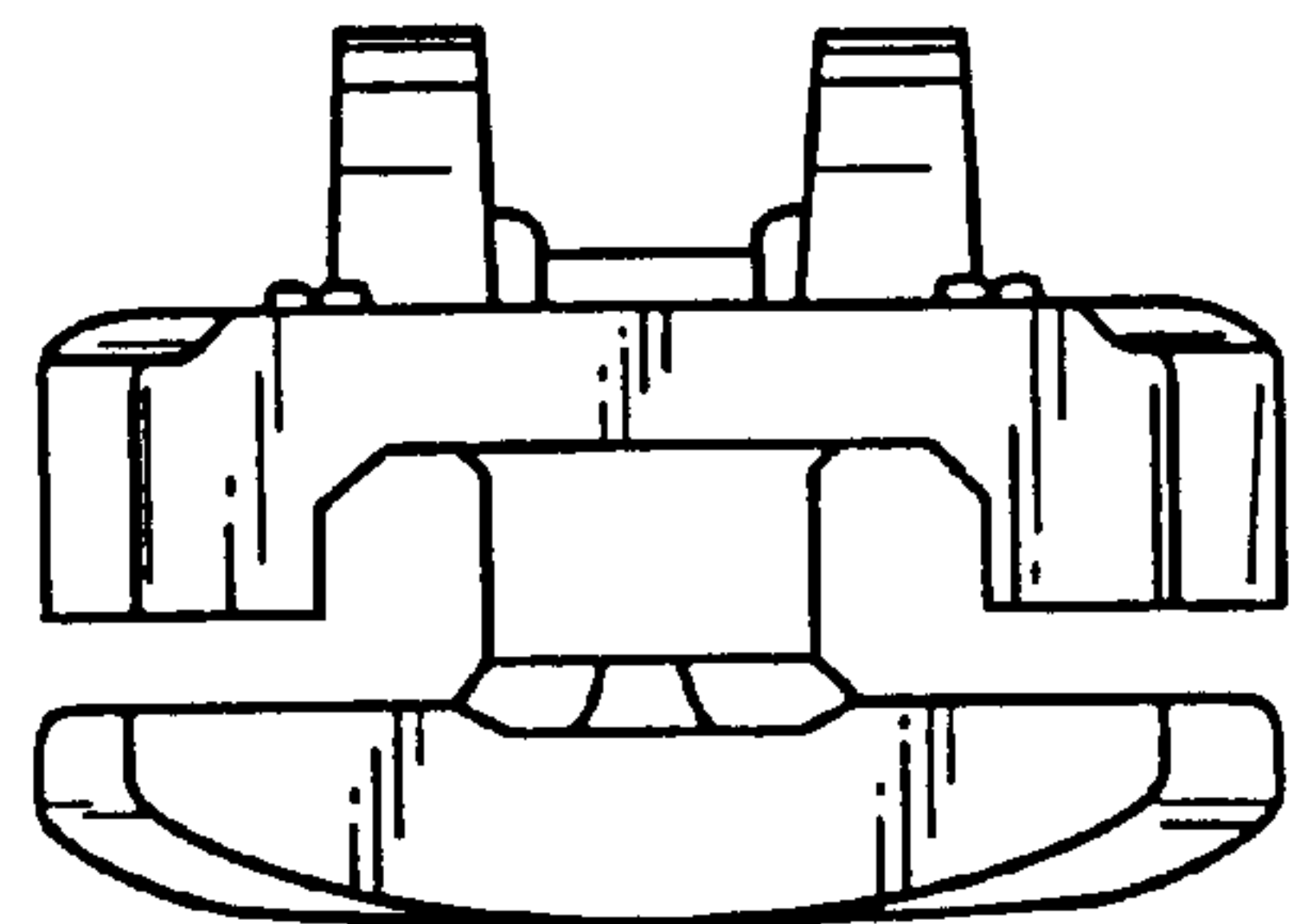


FIG. 4

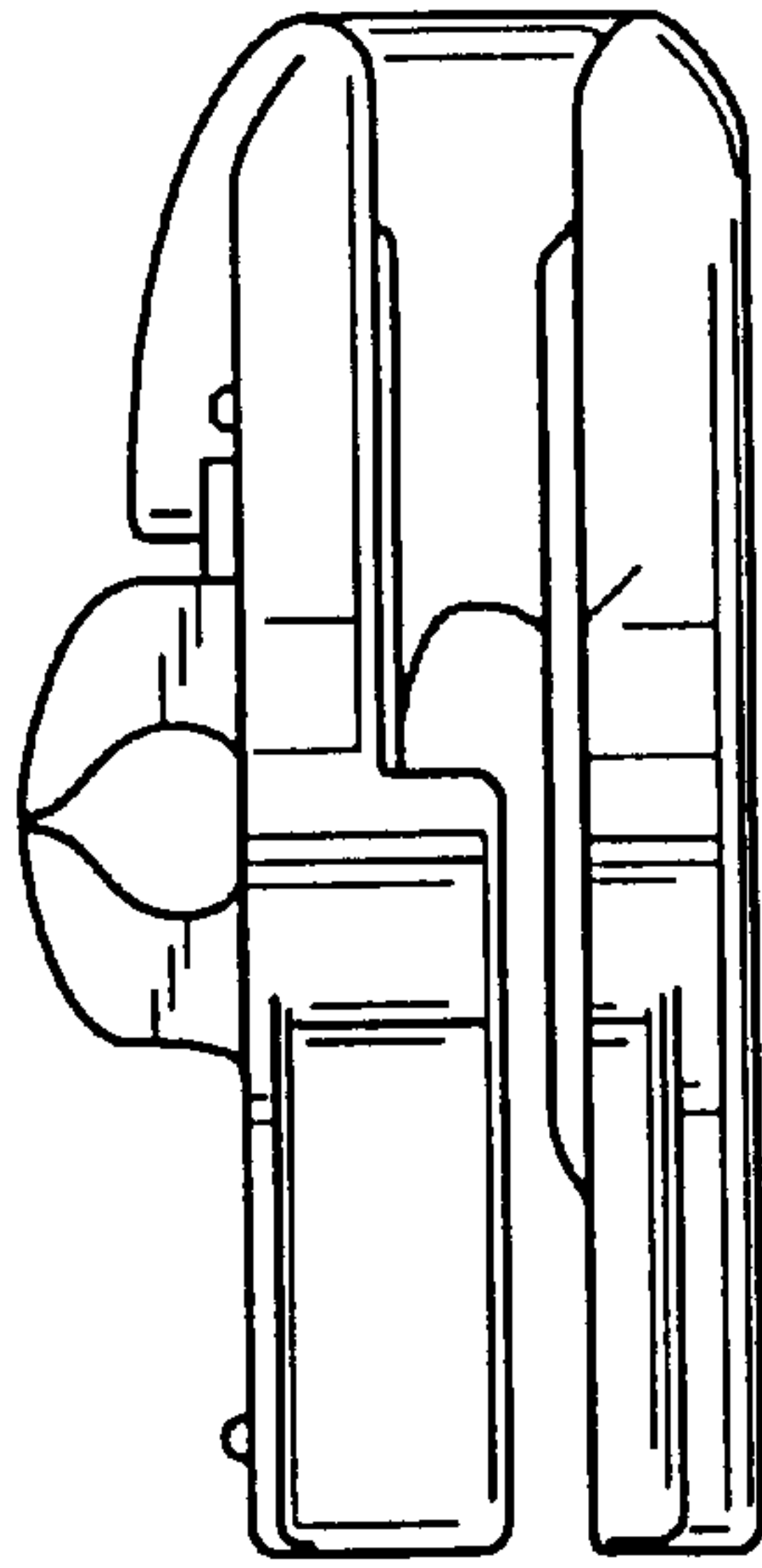


FIG. 5

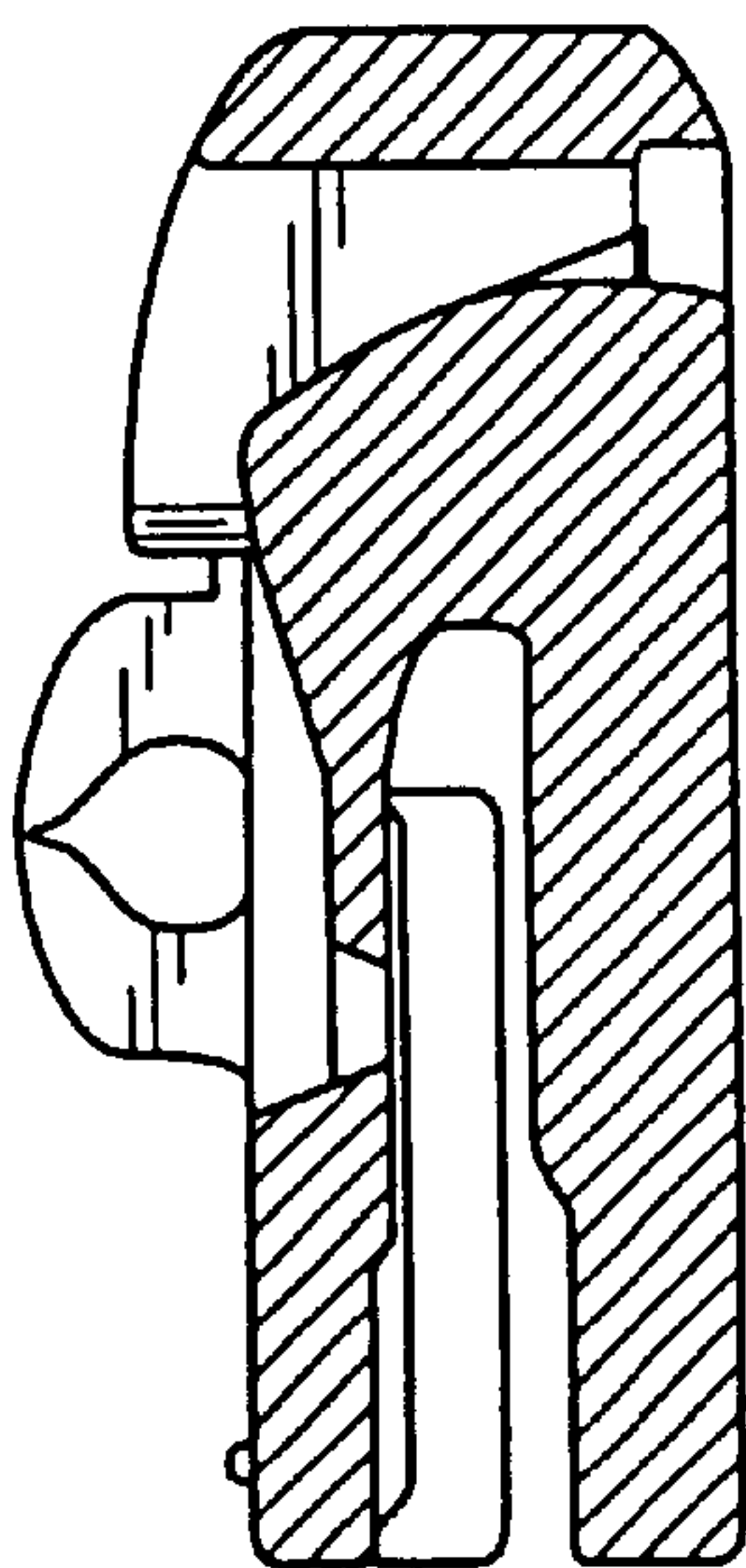


FIG. 6

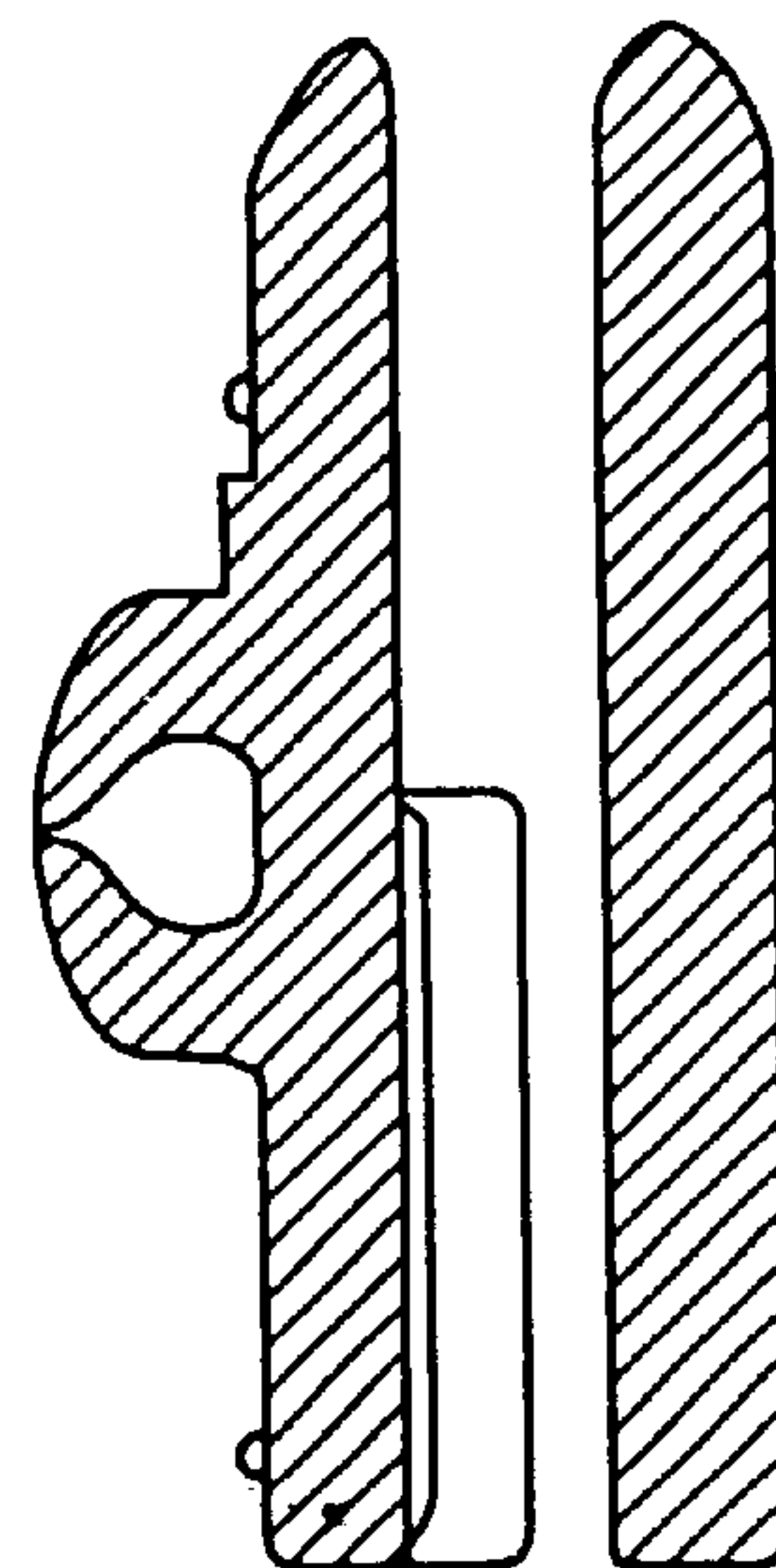


FIG. 7

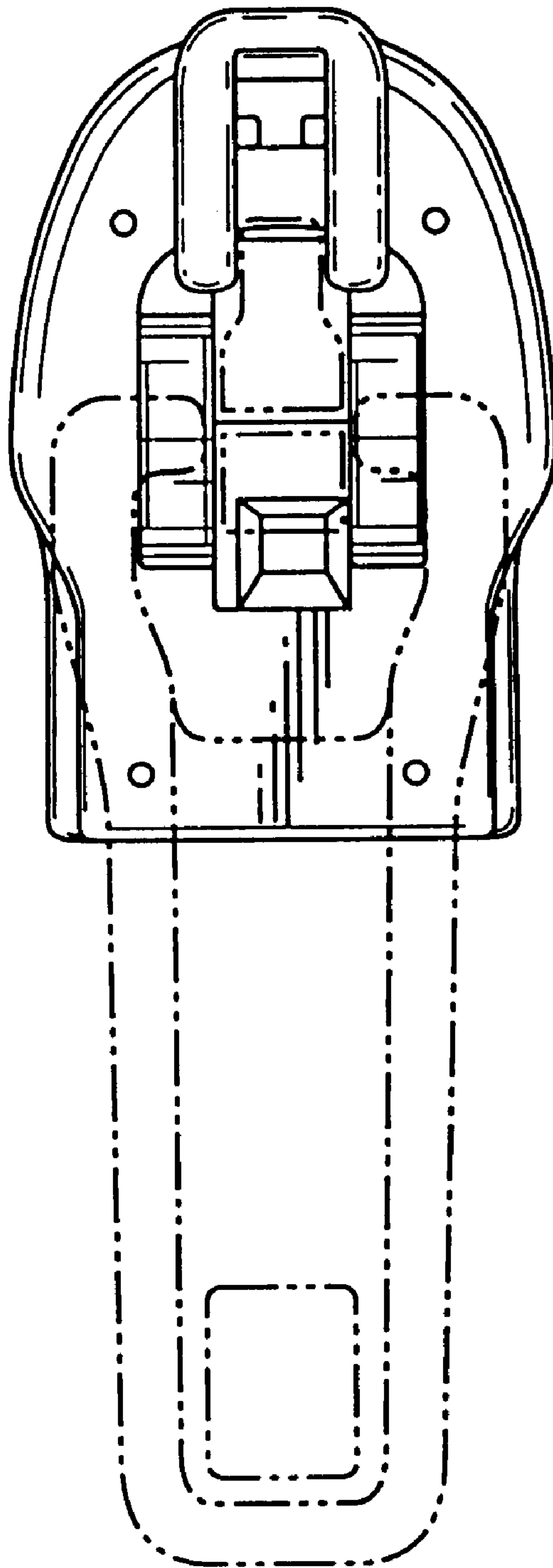


FIG. 8