



US00D446157S

(12) **United States Design Patent**
Glenn

(10) **Patent No.:** **US D446,157 S**

(45) **Date of Patent:** **** Aug. 7, 2001**

(54) **ARTIFICIAL PLANT HOLDER**

6,016,628 * 1/2000 Schlosser 47/65.8

(76) Inventor: **Edward C. Glenn**, P.O. Box 39,
Greenville, NC (US) 27835

* cited by examiner

(**) Term: **14 Years**

Primary Examiner—Doris V. Coles

Assistant Examiner—Mimosa De

(74) *Attorney, Agent, or Firm*—Rhodes & Mason, PLLC

(21) Appl. No.: **29/129,540**

(57) **CLAIM**

(22) Filed: **Sep. 13, 2000**

The ornamental design for a artificial plant holder, as shown and described.

(51) **LOC (7) Cl.** **11-02**

(52) **U.S. Cl.** **D11/156**

(58) **Field of Search** D11/143–156;
D7/550.1, 554.3; 47/40, 41.01, 41.11, 41.12,
41.13, 44, 65.5, 65.6, 68, 70, 71, 79, 86;
206/423, 557, 562, 564; 248/27.8; 220/23.2,
23.86

DESCRIPTION

FIG. 1 is a perspective view of the artificial plant holder; FIG. 2 is an exploded perspective view of the insert and tray components of the artificial plant holder; FIG. 3 is a side view of the tray, the sides being the same; FIG. 4 is an end view of the tray, the ends being the same; FIG. 5 is a top view of the artificial plant holder; FIG. 6 is a bottom view of the artificial plant holder; FIG. 7 is a side view of the insert, the sides being the same; FIG. 8 is an end view of the insert, the ends being the same; and, FIG. 9 is a bottom view of the insert. The insert shown in FIGS. 7, 8, and 9 is shown separately for convenience of illustration.

(56) **References Cited**

U.S. PATENT DOCUMENTS

D. 25,040	*	1/1896	Healy	D11/155
D. 385,507	*	10/1997	Hulsebus	D11/156
2,058,934	*	10/1936	Johe	47/79
2,261,326	*	11/1941	Atkisson et al.	47/41.11
2,601,099	*	6/1952	Darnell	220/23.2
5,127,188	*	7/1992	Shaw et al.	47/68
5,456,360	*	10/1995	Griffin	220/23.86

1 Claim, 6 Drawing Sheets

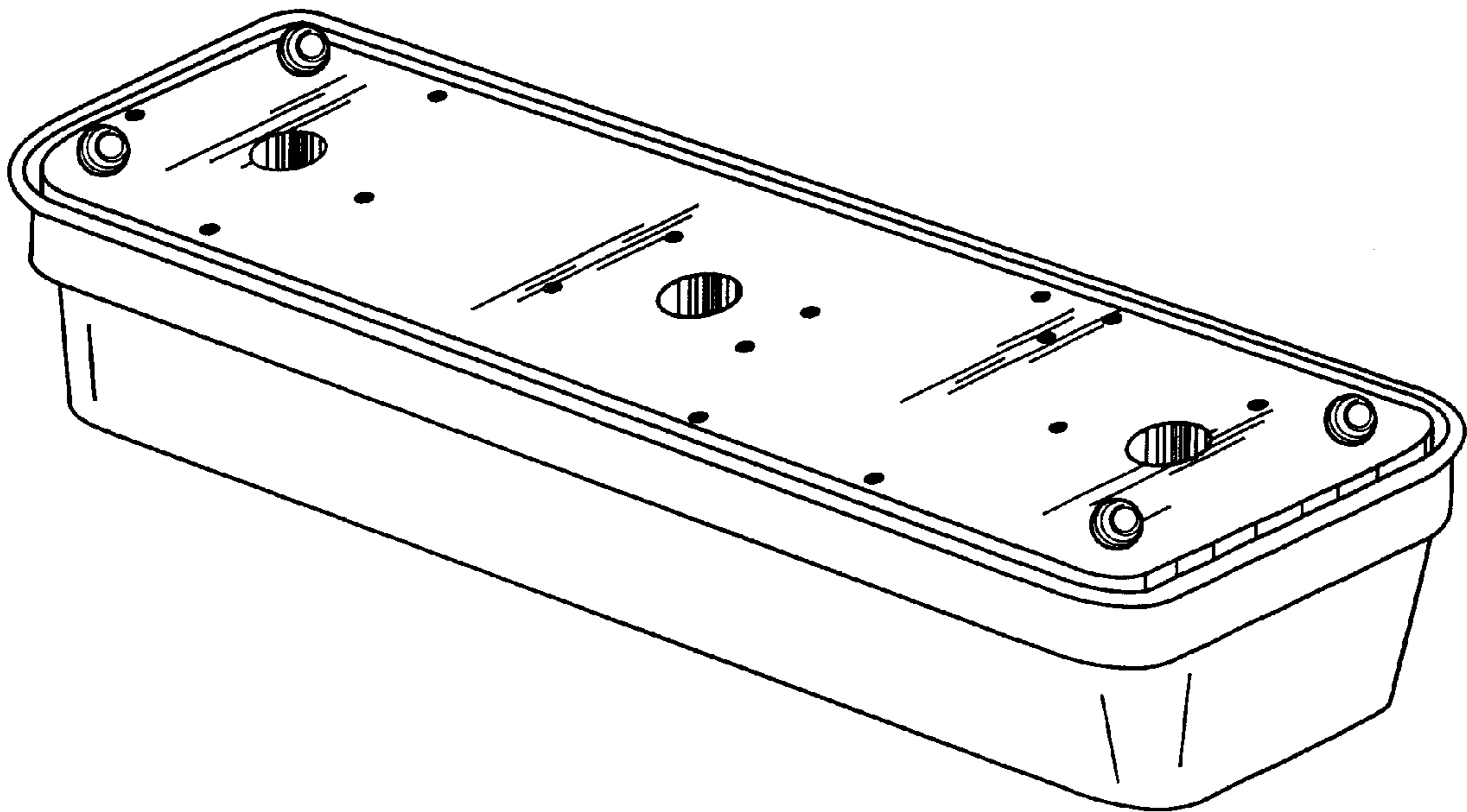


Fig. 1

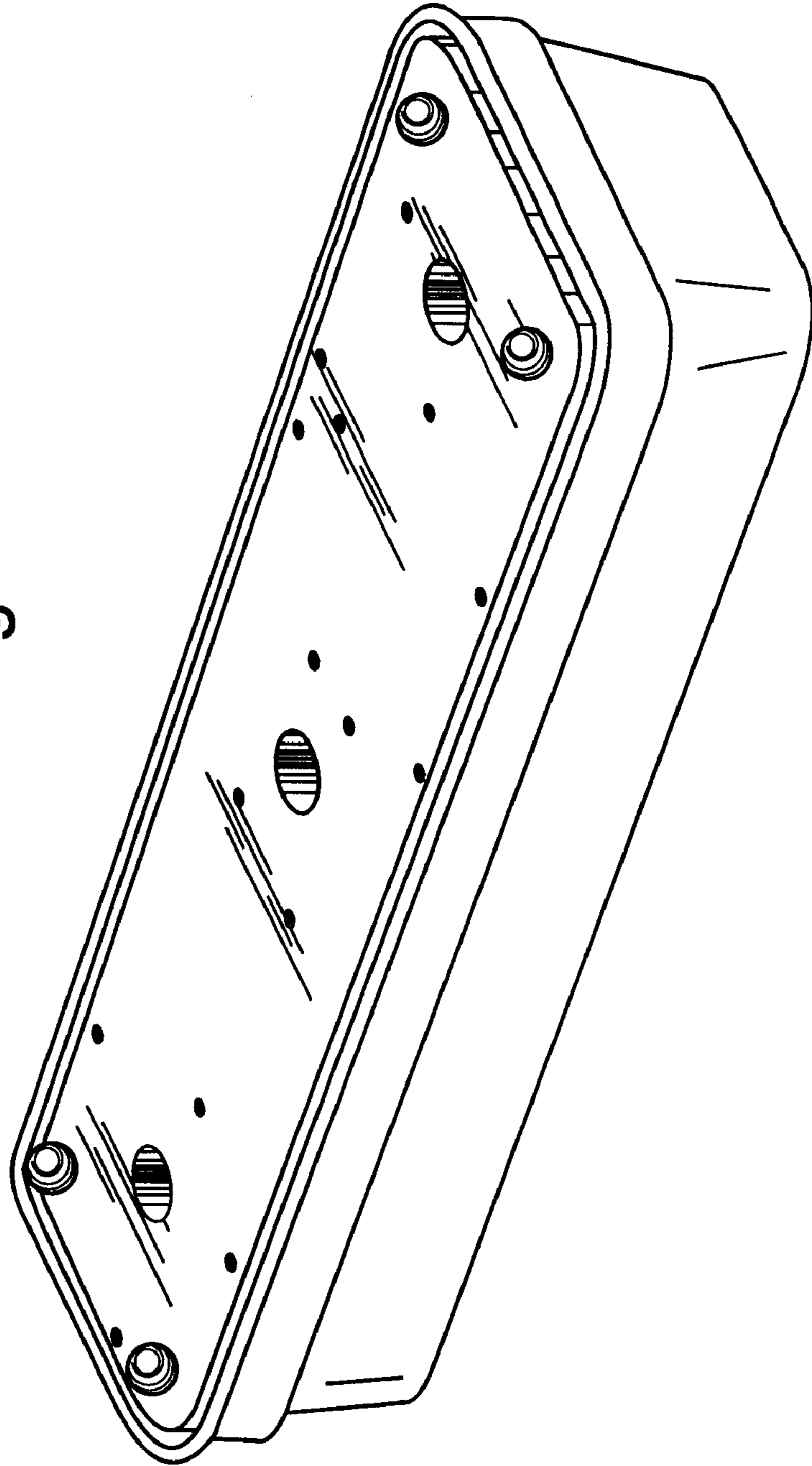


Fig. 2

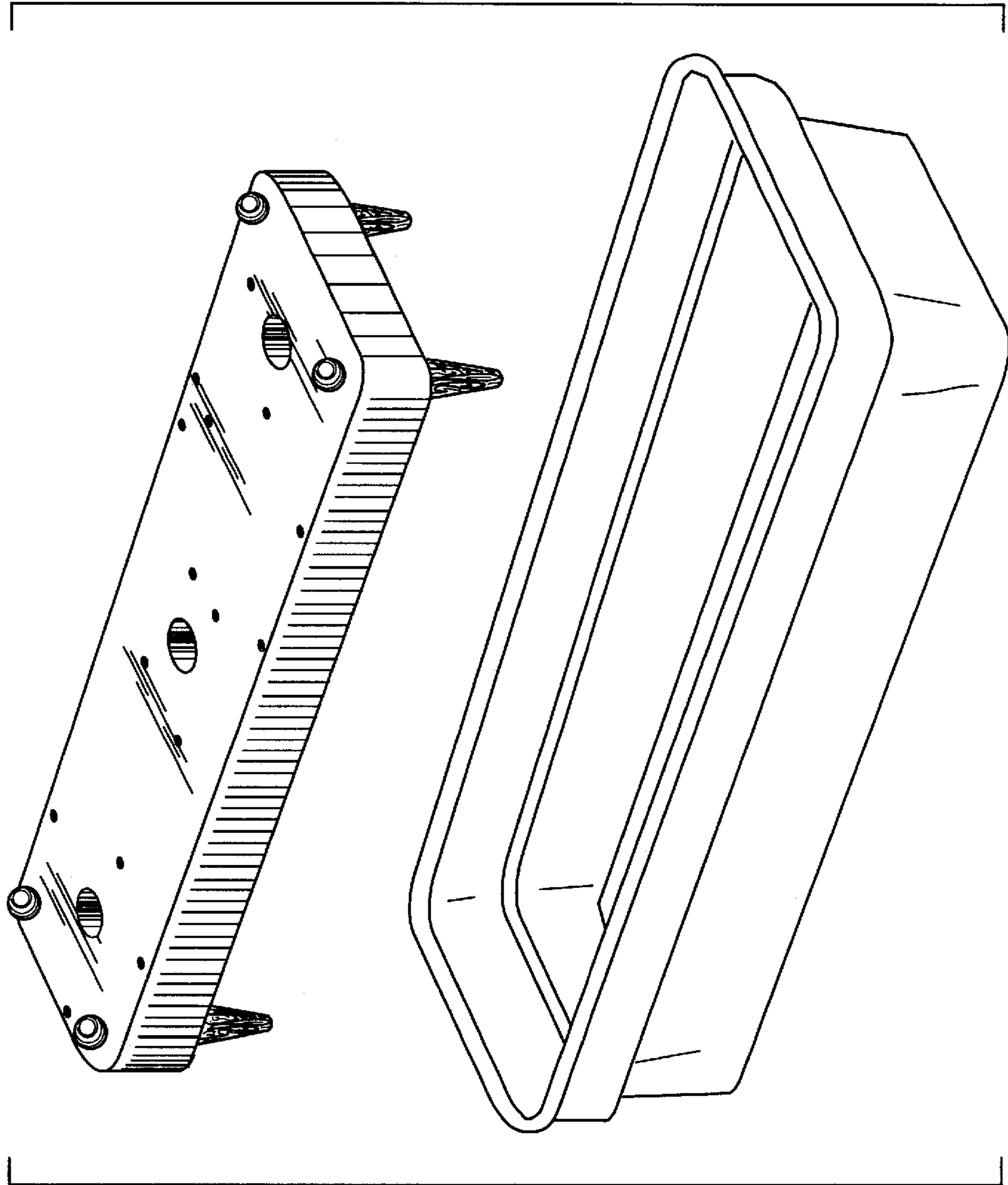


Fig. 3

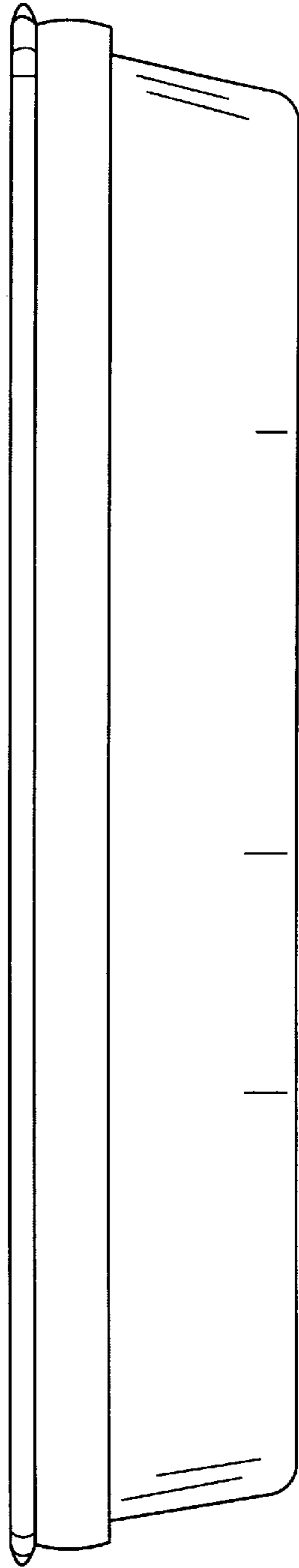


Fig. 4

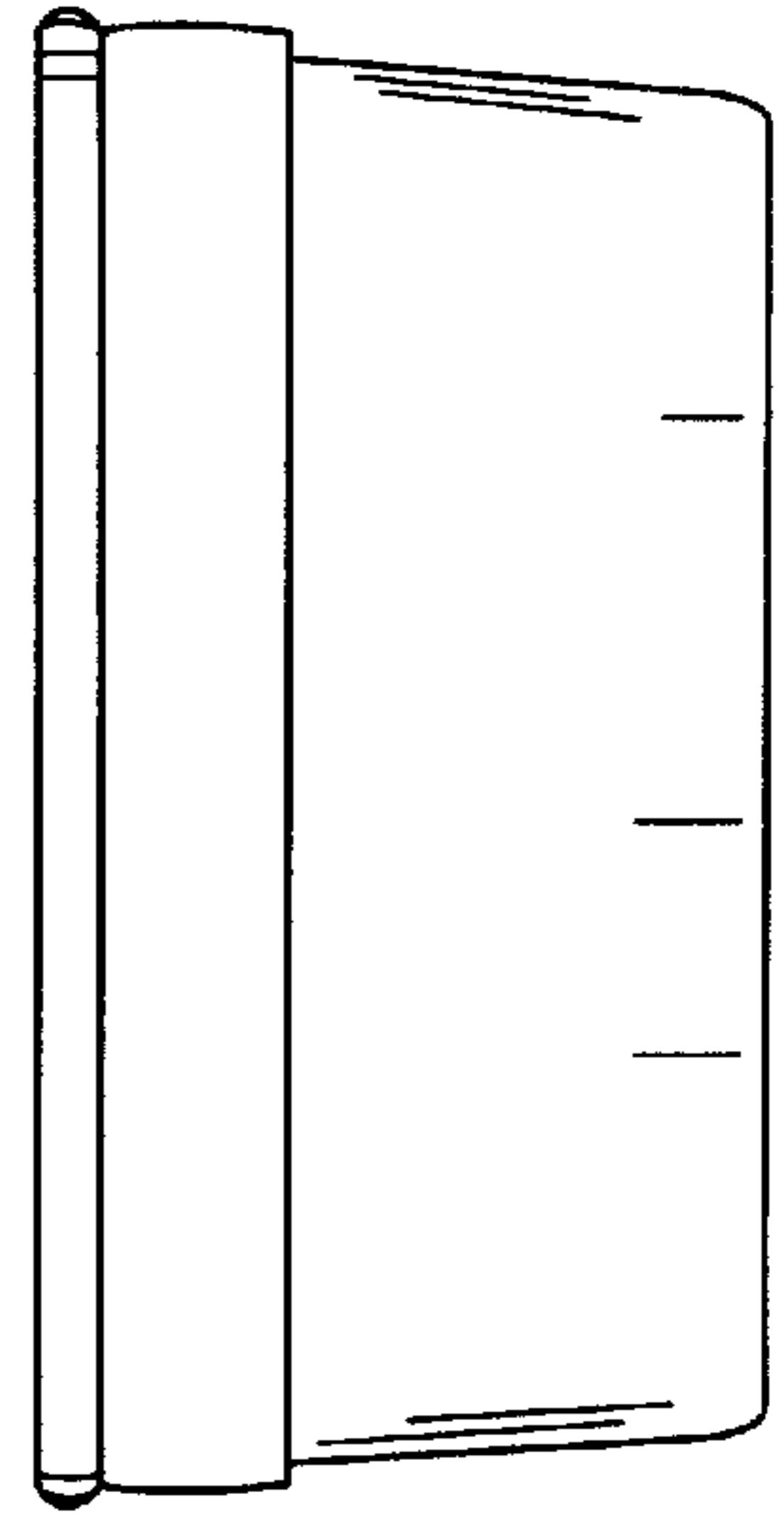


Fig. 6

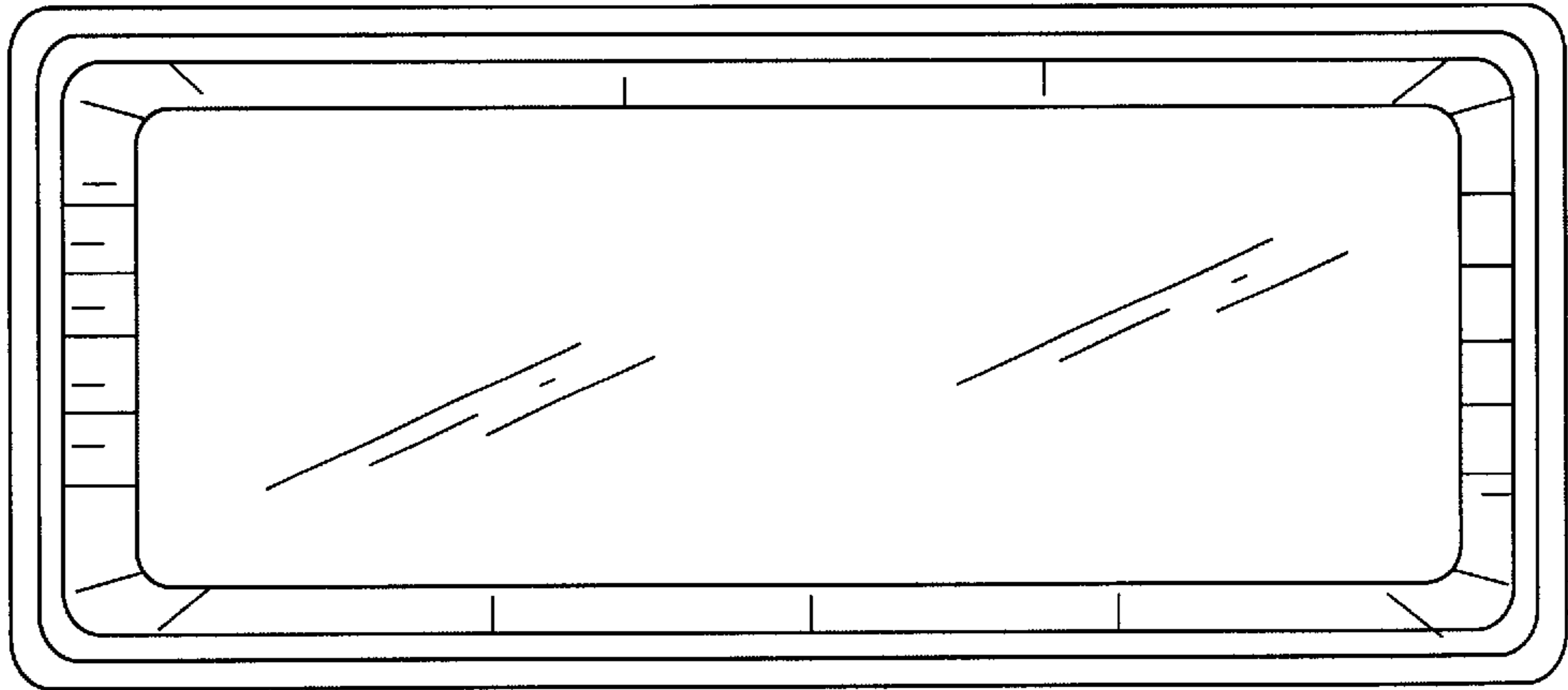


Fig. 5

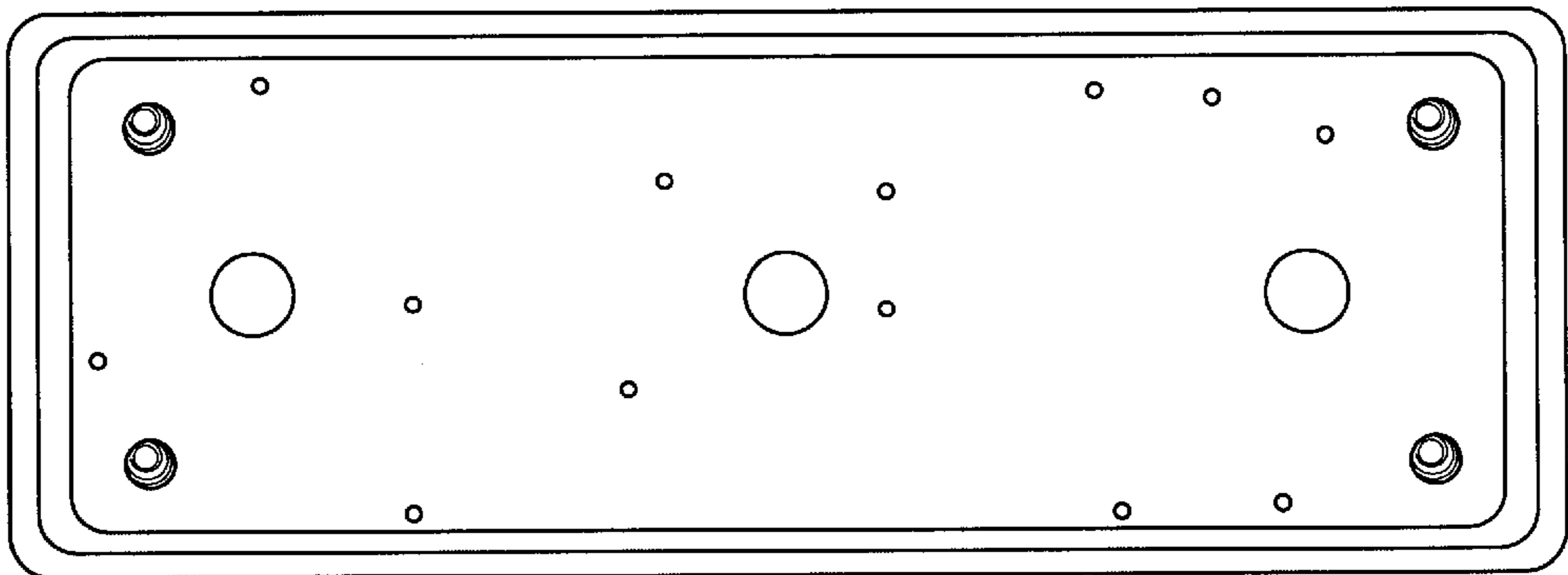


Fig. 7

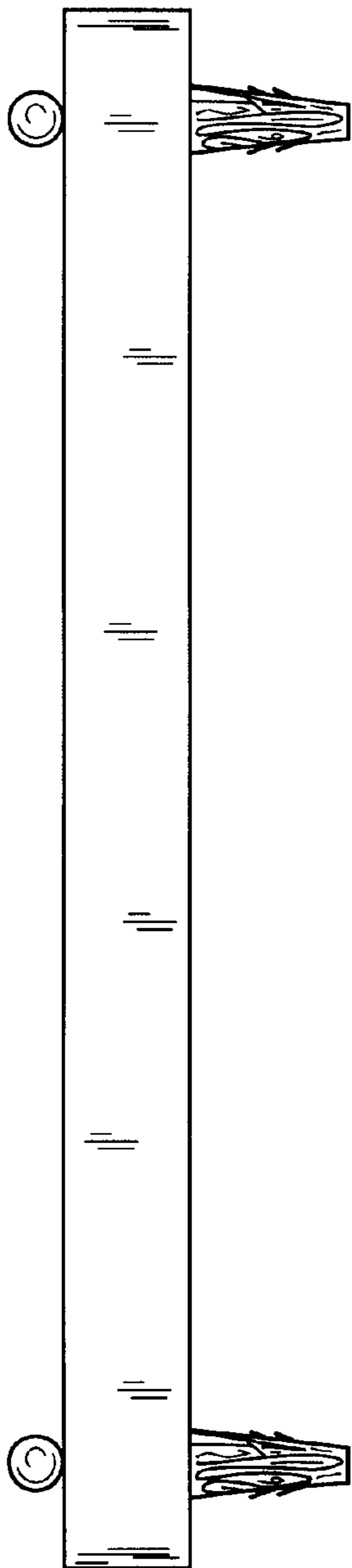


Fig. 8

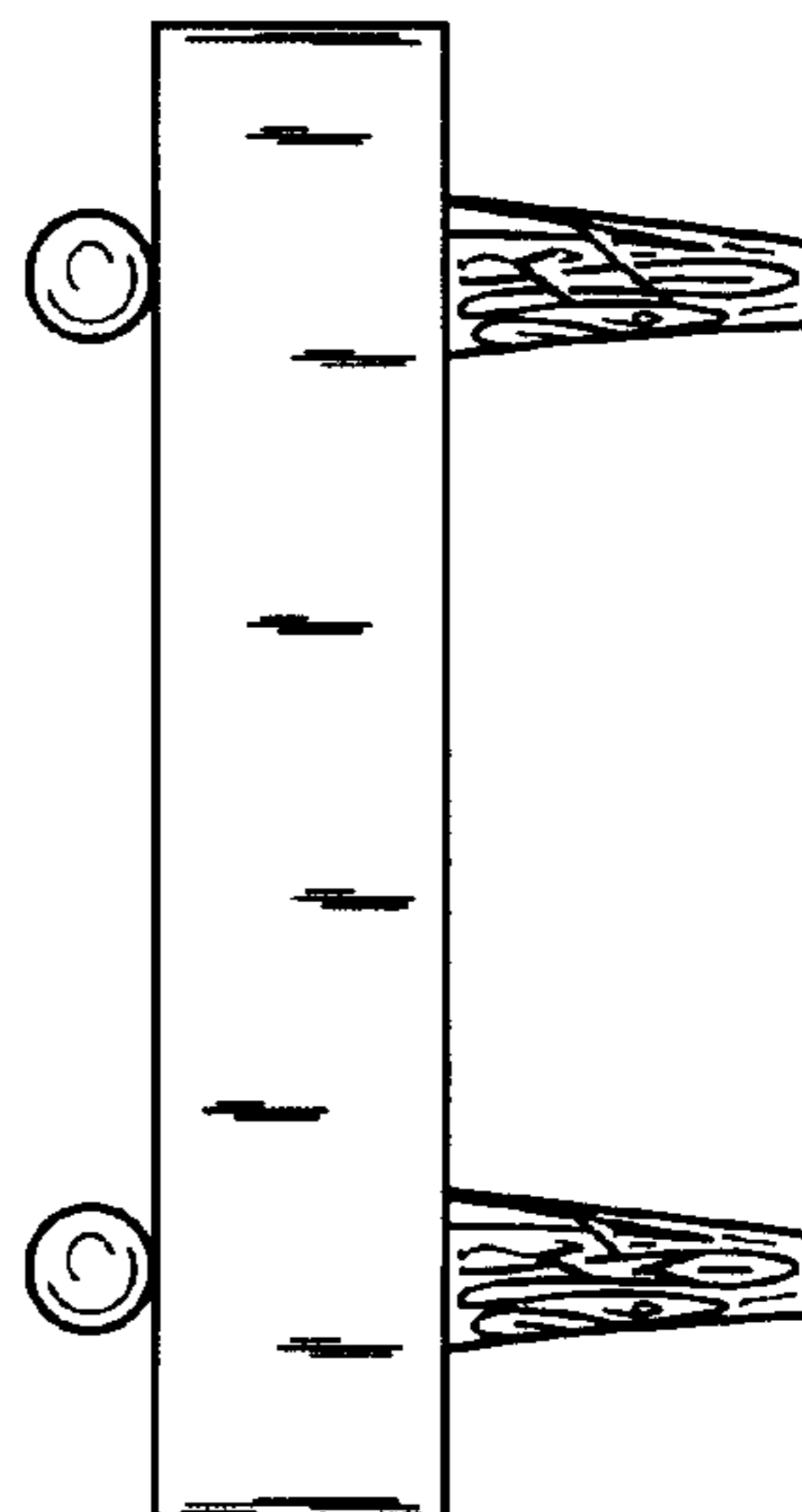


Fig. 9

