



US00D446142S

(12) **United States Design Patent**
Shafiyen-Rad et al.

(10) **Patent No.:** **US D446,142 S**

(45) **Date of Patent:** **** Aug. 7, 2001**

(54) **INDICATOR MODULE FOR POSITIONING PROXIMITY SENSORS**

D. 431,485 * 10/2000 Huang D10/104

* cited by examiner

(75) Inventors: **Saeed Shafiyen-Rad**, Nashua, NH (US); **Daniel M. Corbosiero, Jr.**, Hudson; **Mark Stephen Schladenhauffen**, Westford, both of MA (US)

Primary Examiner—Marcus A. Jackson
(74) *Attorney, Agent, or Firm*—Himanshu S. Amin; William R. Walbrun

(73) Assignee: **Rockwell Technologies, LLC**, Thousand Oaks, CA (US)

(57) **CLAIM**

The ornamental design for an indicator module for positioning proximity sensors, as shown and described.

(**) Term: **14 Years**

DESCRIPTION

(21) Appl. No.: **29/124,978**

FIG. 1 is a perspective view of an indicator module for positioning proximity sensors, illustrating a new design in accordance with the present invention; FIG. 2 is a front elevation of the module of FIG. 1; FIG. 3 is a rear elevation of the module of FIG. 1; FIG. 4 is a top view of the module of FIG. 1; FIG. 5 is a bottom view of the module of FIG. 1; FIG. 6 is a side elevation view of the module of FIG. 1; and, FIG. 7 is another side elevation of the module of FIG. 1. The features of the sensors and connectors shown in phantom lines are for illustrative purposes only and form no part of the claimed design.

(22) Filed: **Jun. 15, 2000**

(51) **LOC (7) Cl.** **10-05**

(52) **U.S. Cl.** **D10/104**

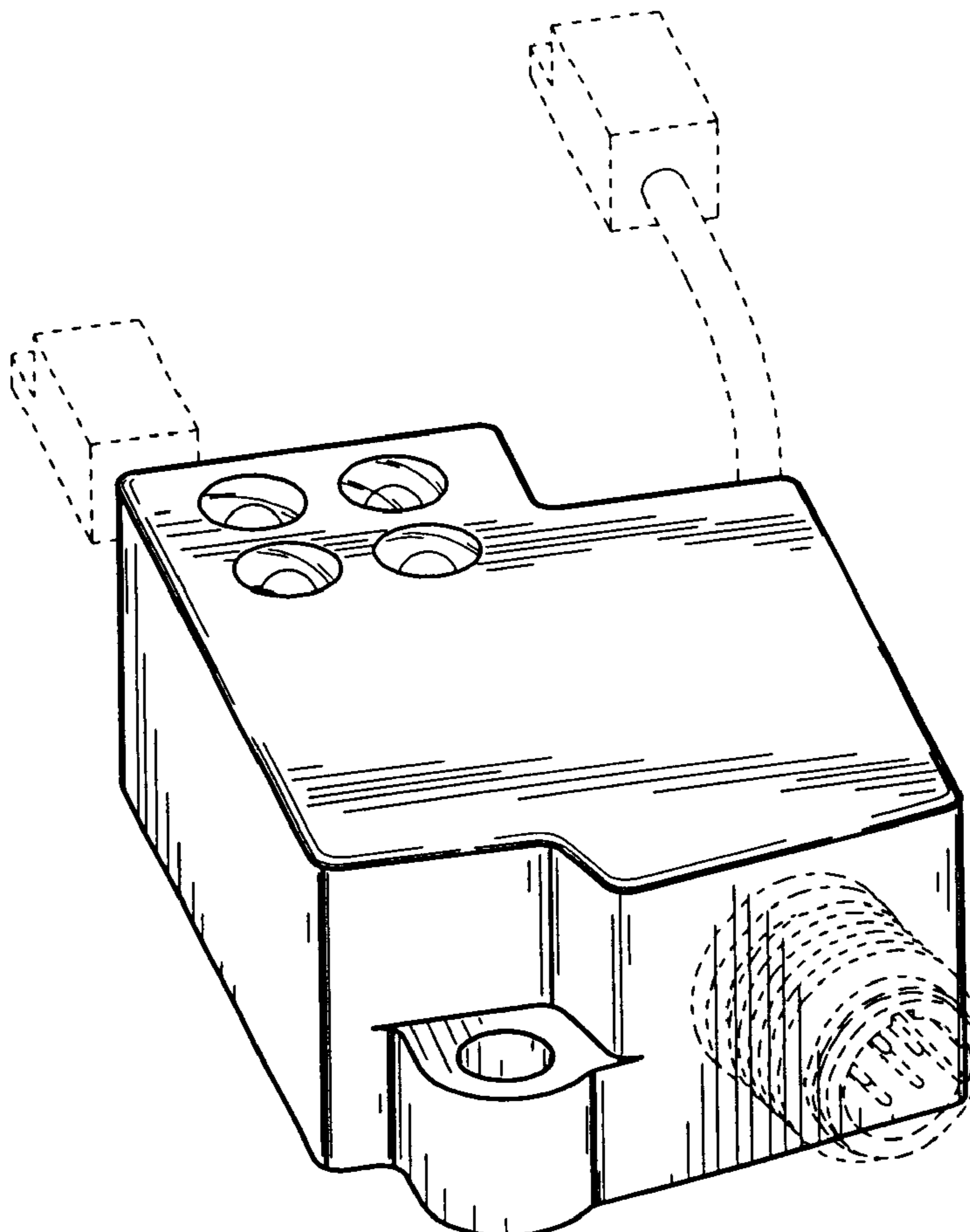
(58) **Field of Search** D10/104, 109, D10/111, 114, 121; 340/906, 907, 908, 908.1, 909, 910, 911, 915

(56) **References Cited**

U.S. PATENT DOCUMENTS

D. 391,182 2/1998 Schneider et al. .

1 Claim, 1 Drawing Sheet



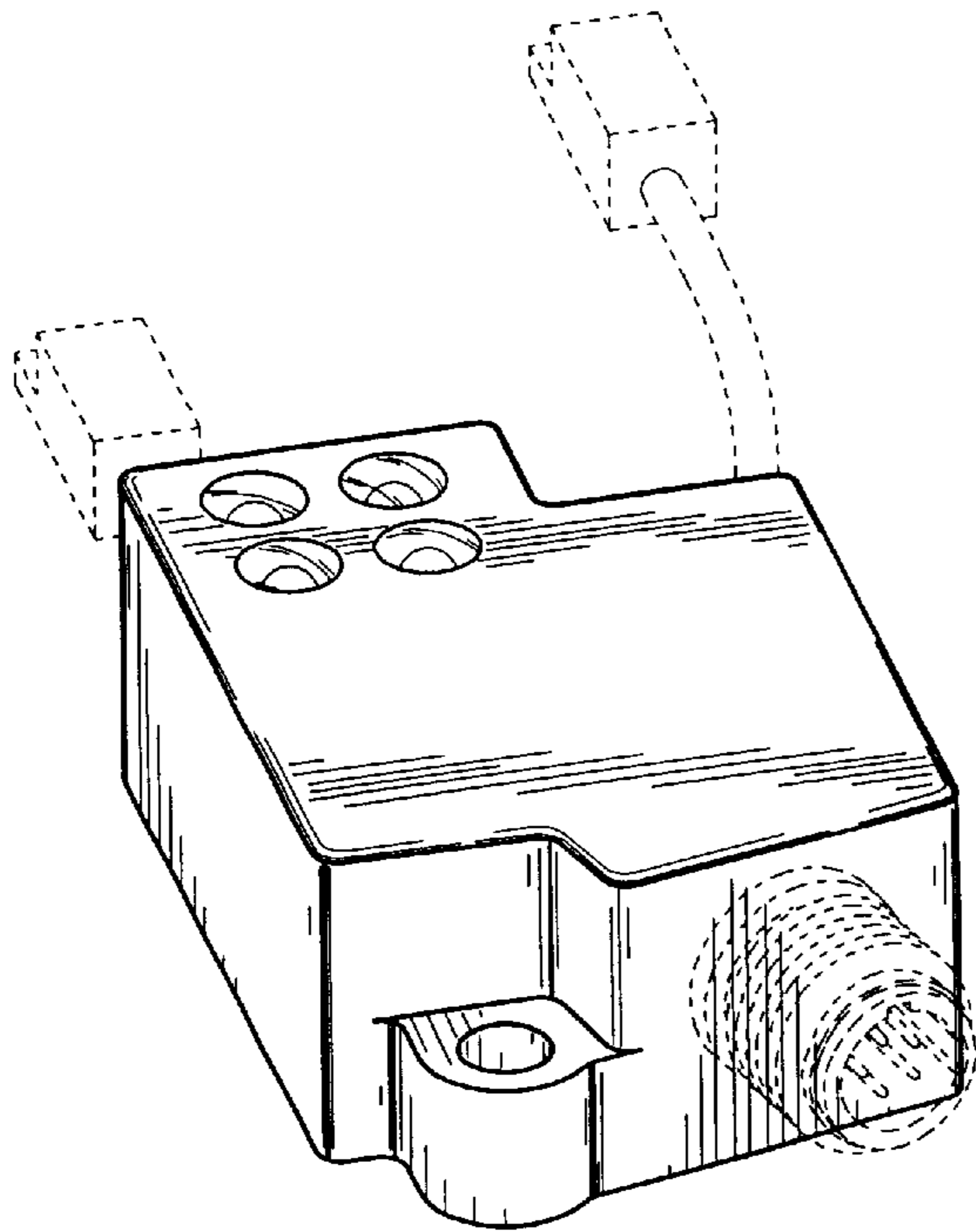


Fig.1

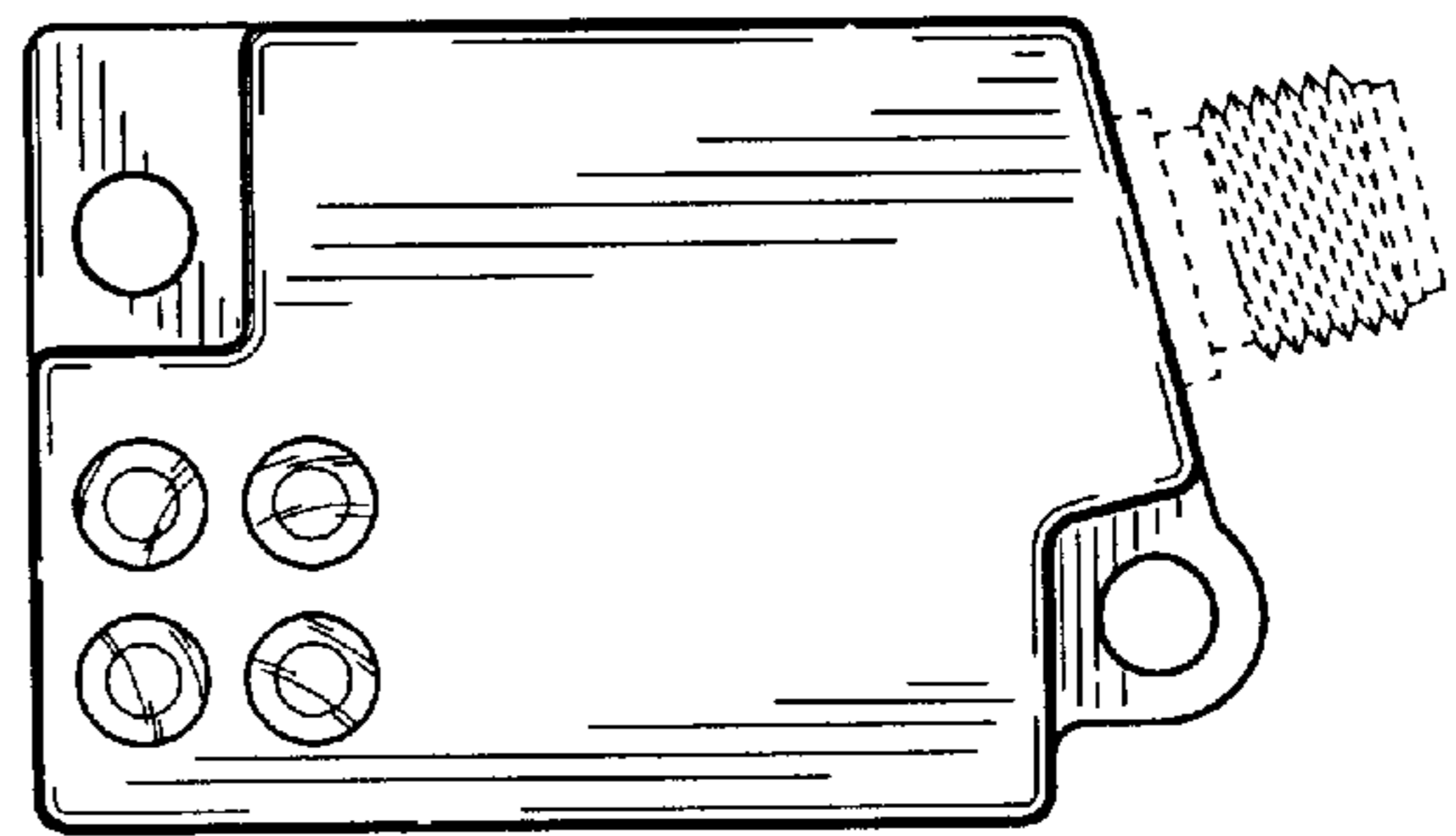


Fig.4

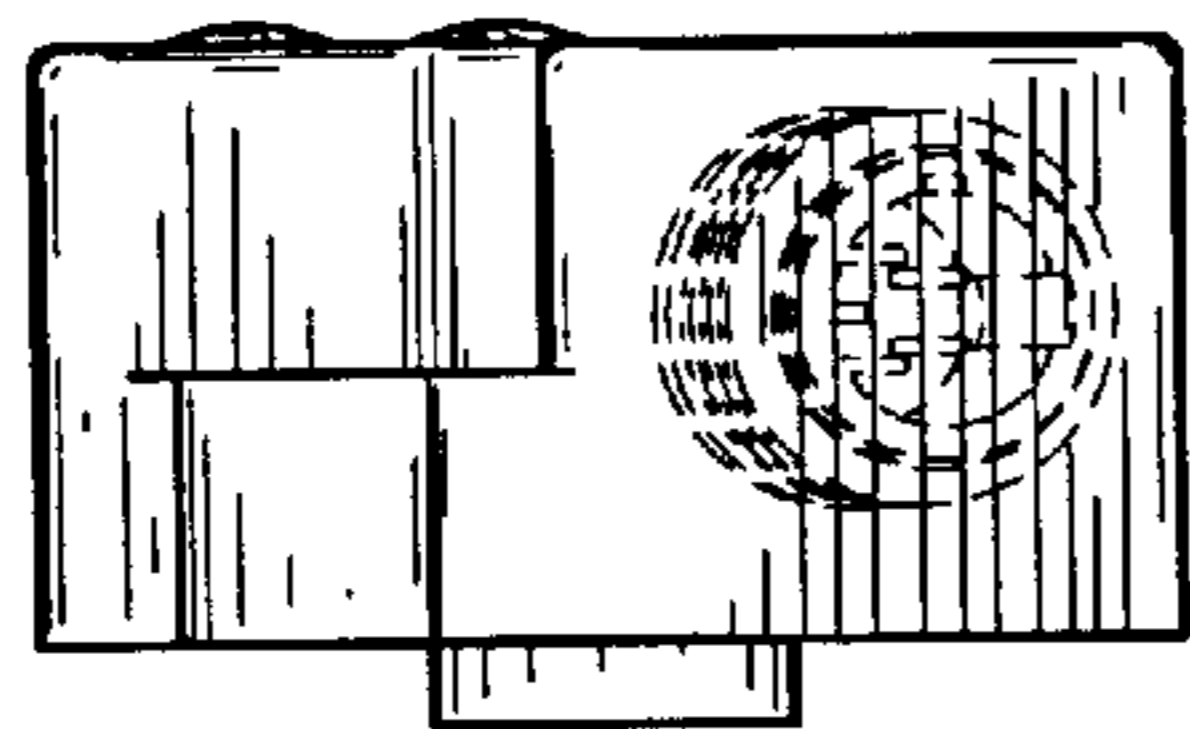


Fig.2

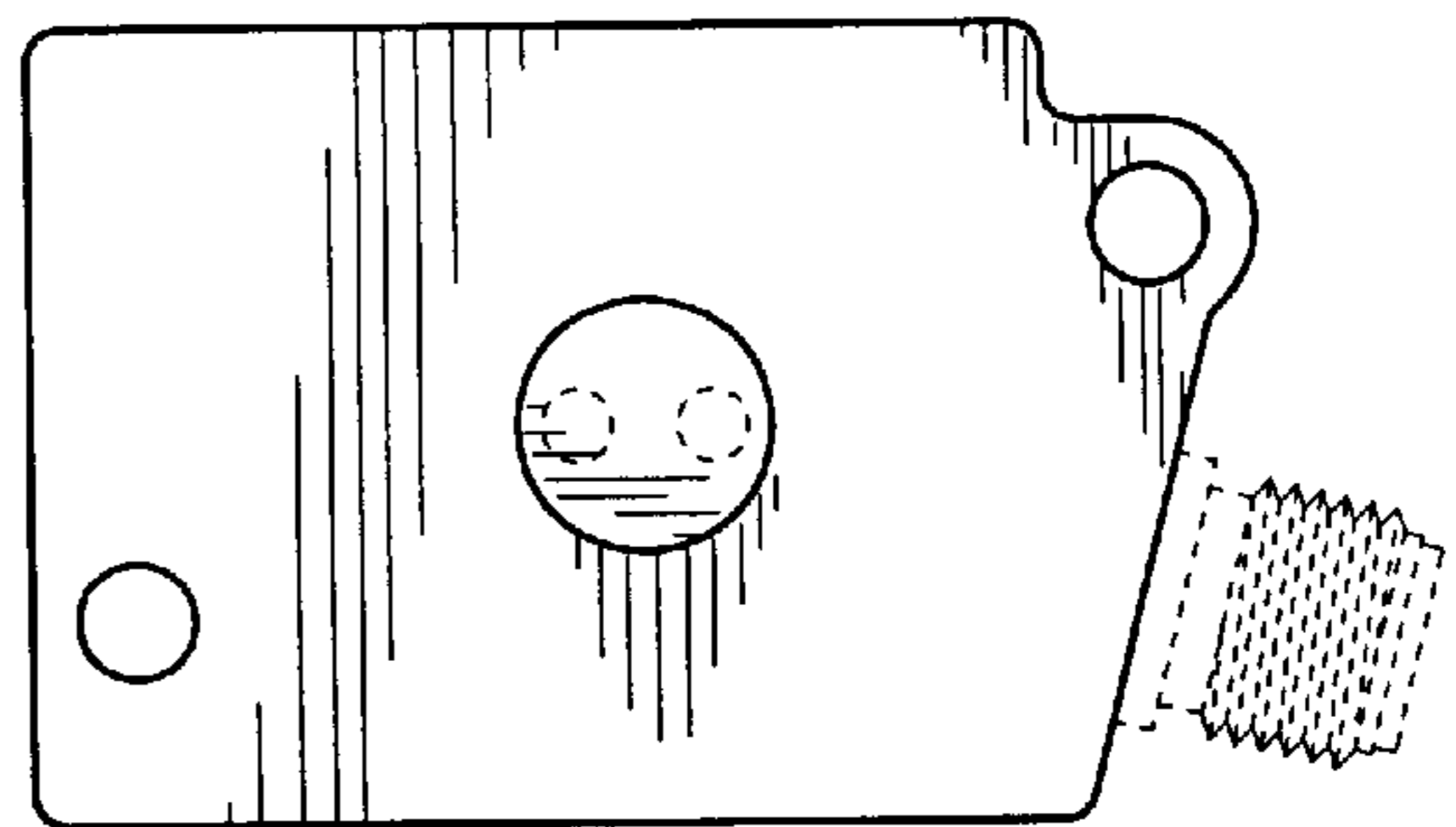


Fig.5

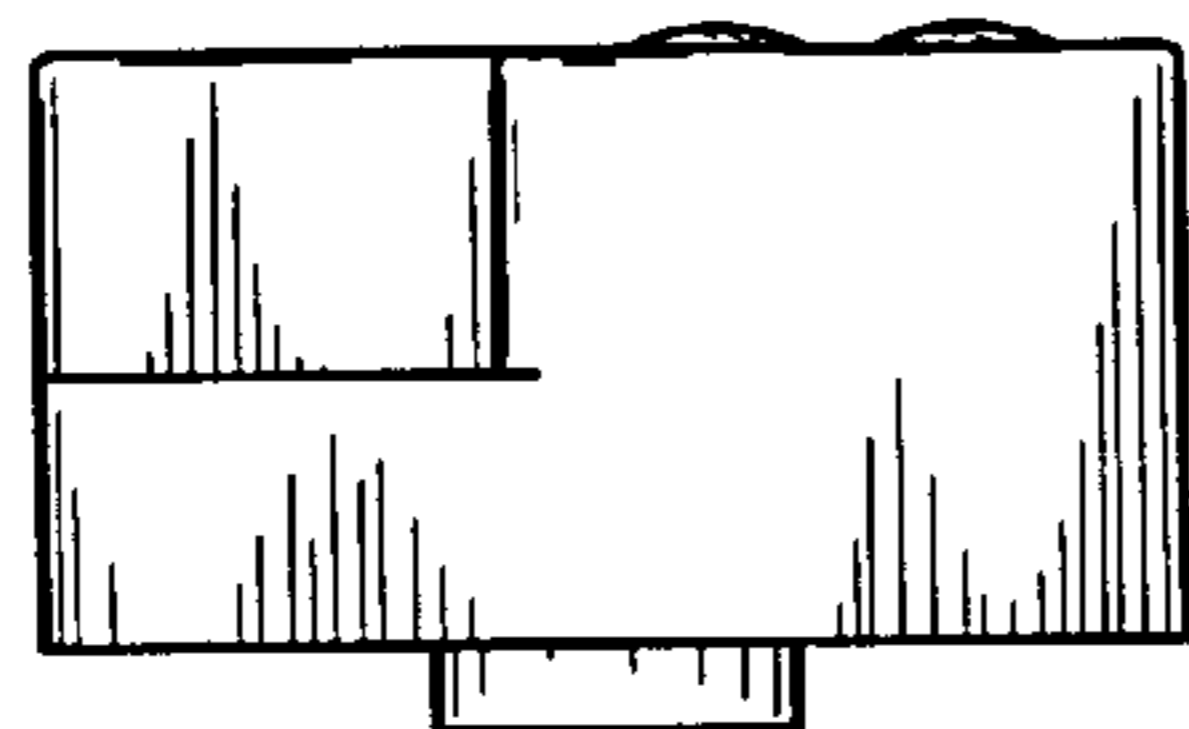


Fig.3

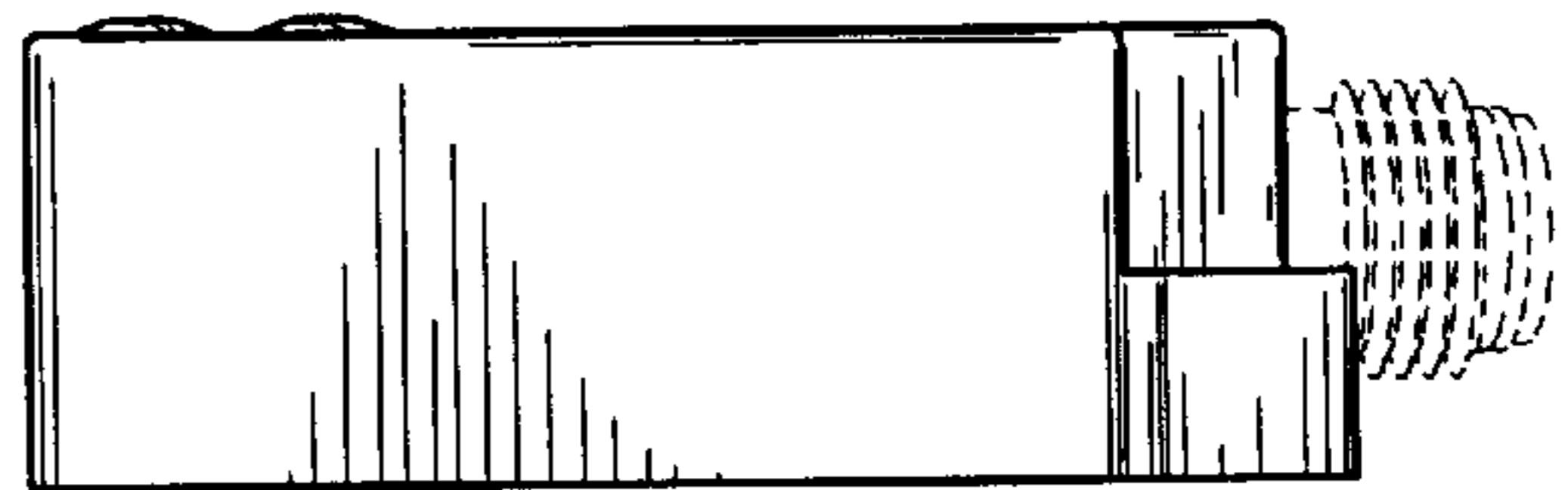


Fig.6

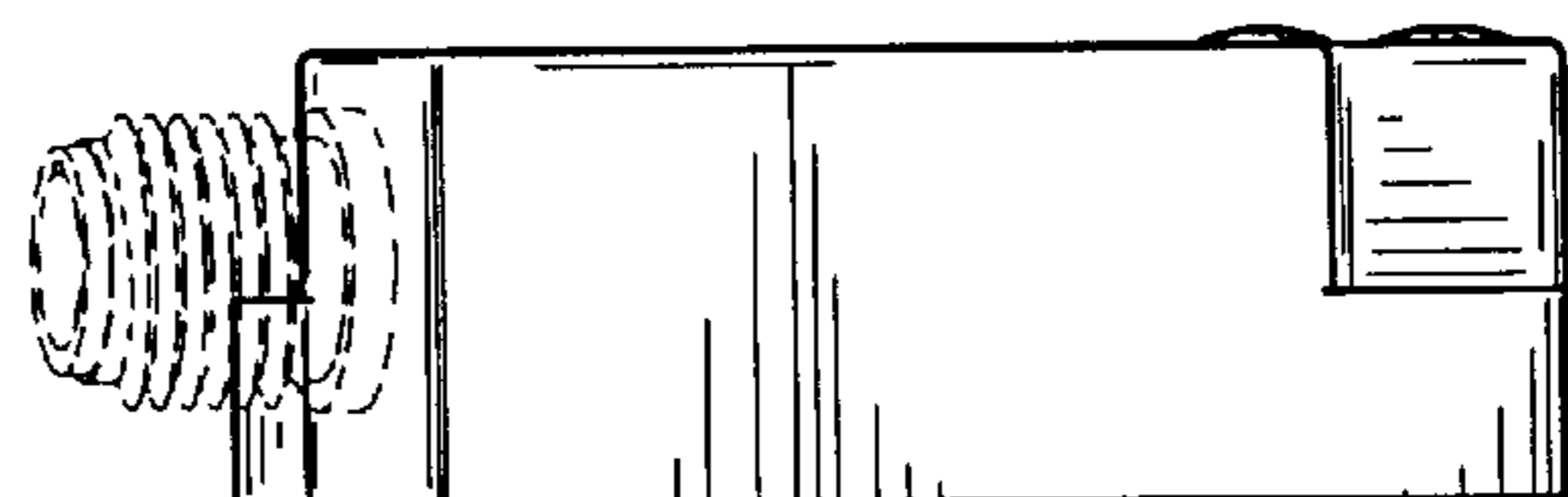


Fig.7