



US00D446137S

(12) **United States Design Patent**
Chang

(10) **Patent No.:** **US D446,137 S**

(45) **Date of Patent:** **** Aug. 7, 2001**

(54) **ELECTRICAL MULTIMETER WITH A STAND**

D. 428,349 * 7/2000 Pagliara D10/78

* cited by examiner

(75) Inventor: **Shang-Wen Chang**, Taipei Hsien (TW)

Primary Examiner—Antoine Duval Davis

(73) Assignee: **Appa Technology Corp.**, Taipei Hsien (TW)

(74) *Attorney, Agent, or Firm*—Dougherty & Troxell

(**) Term: **14 Years**

(57) **CLAIM**

The ornamental design for an electrical multimeter with a stand, as shown and described.

(21) Appl. No.: **29/130,755**

DESCRIPTION

(22) Filed: **Oct. 6, 2000**

FIG. 1 is a perspective view of the electrical multimeter with a stand showing the new design;

(51) **LOC (7) Cl.** **10-04**

FIG. 2 is a front view of the new design;

(52) **U.S. Cl.** **D10/78**

FIG. 3 is a rear view of the new design;

(58) **Field of Search** D10/78; 324/72.5,
324/110, 114, 115, 149, 151 A, 151 R,
156, 158 F

FIG. 4 is a left view of the new design;

FIG. 5 is a right view of the new design;

FIG. 6 is a top view of the new design;

FIG. 7 is a bottom view of the new design; and,

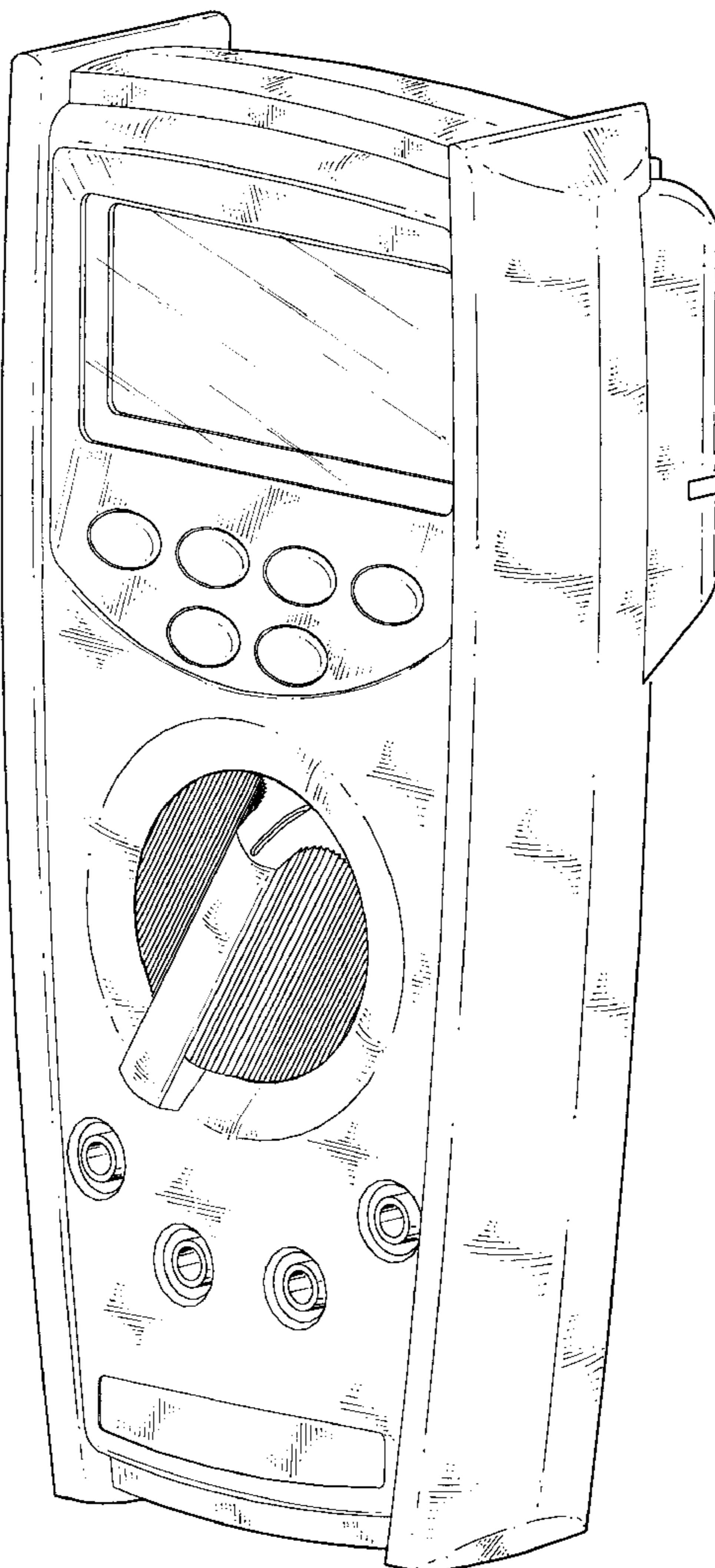
FIG. 8 is a perspective view of the new design showing the status that the stand in use.

(56) **References Cited**

U.S. PATENT DOCUMENTS

D. 423,384 * 4/2000 Beha D10/78

1 Claim, 7 Drawing Sheets



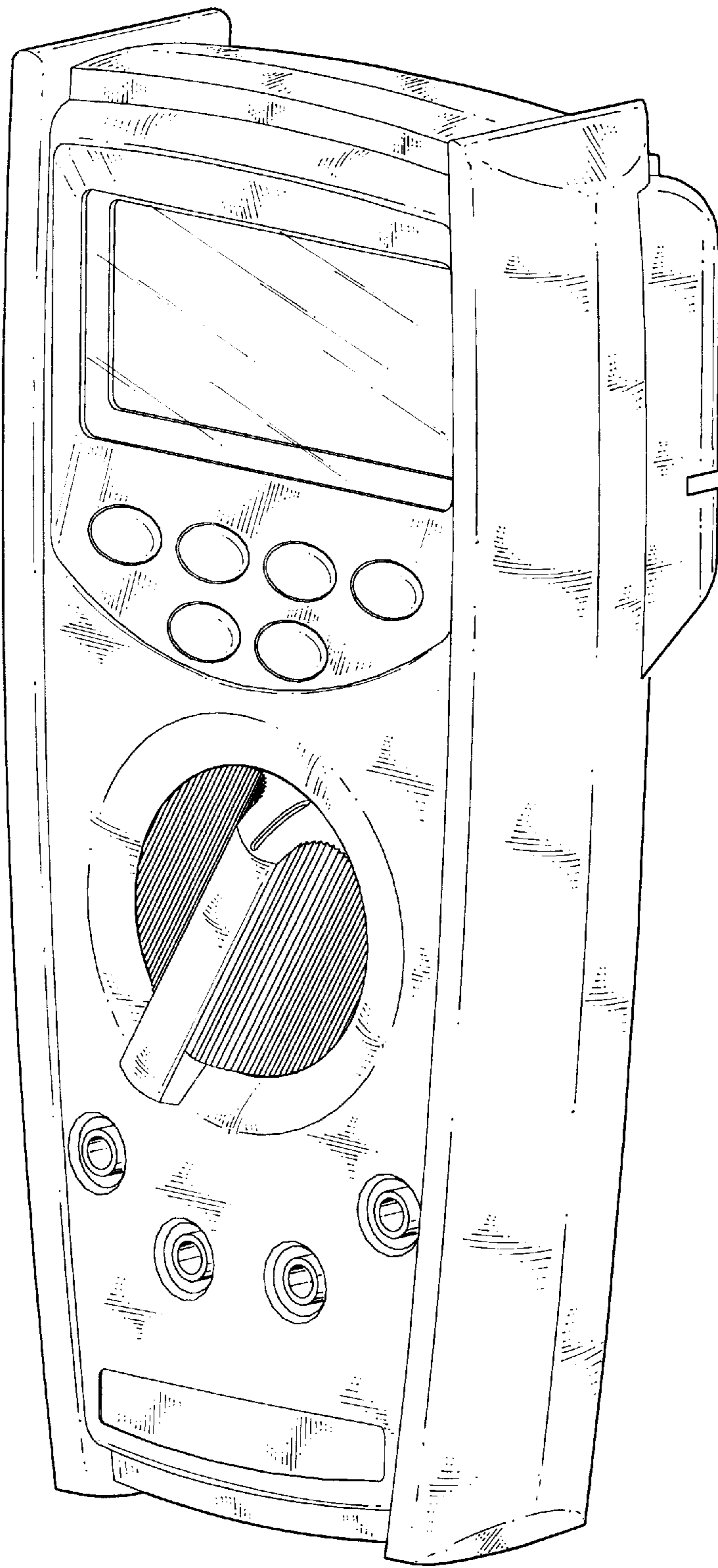


Fig. 1

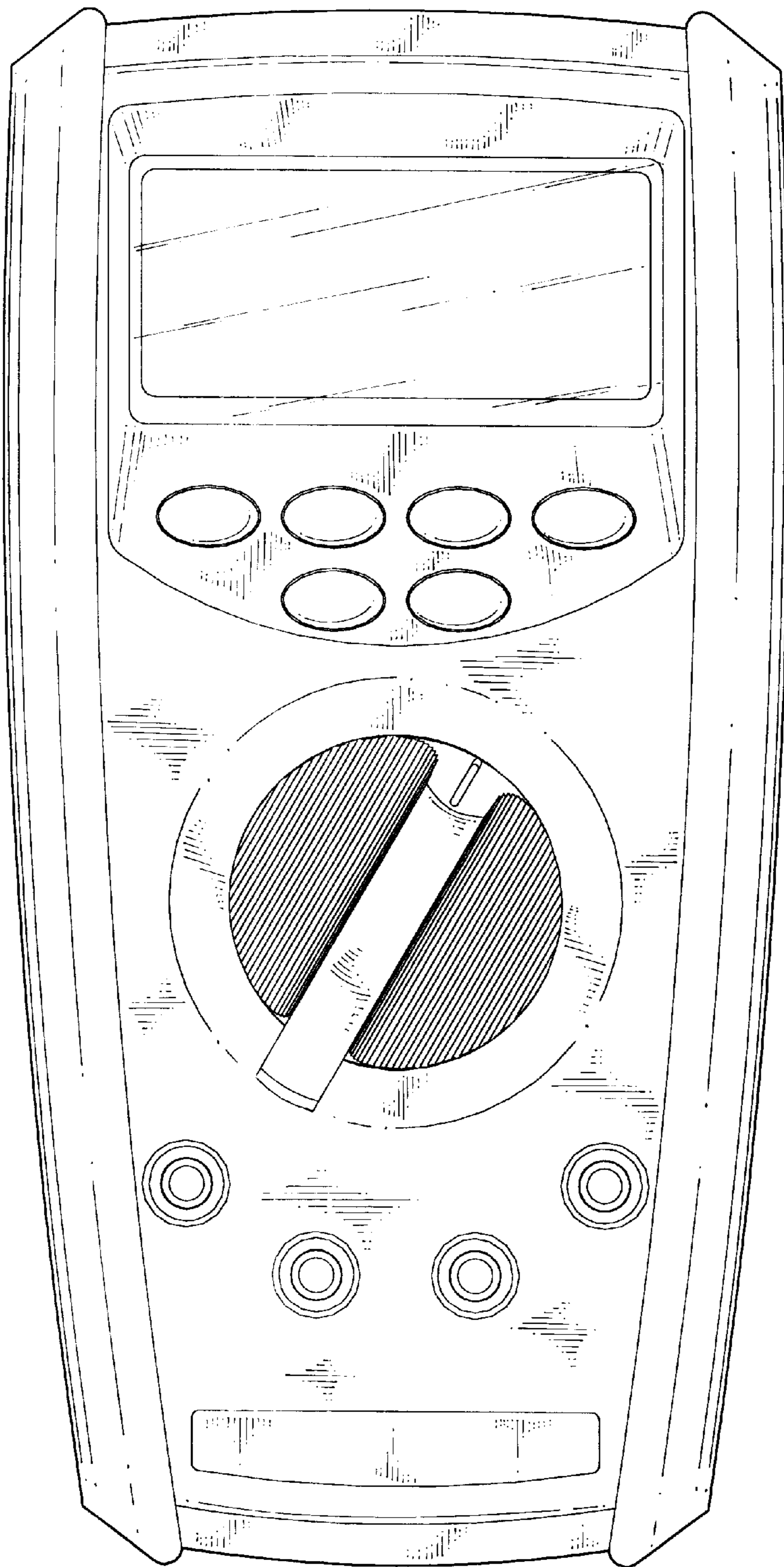


Fig. 2

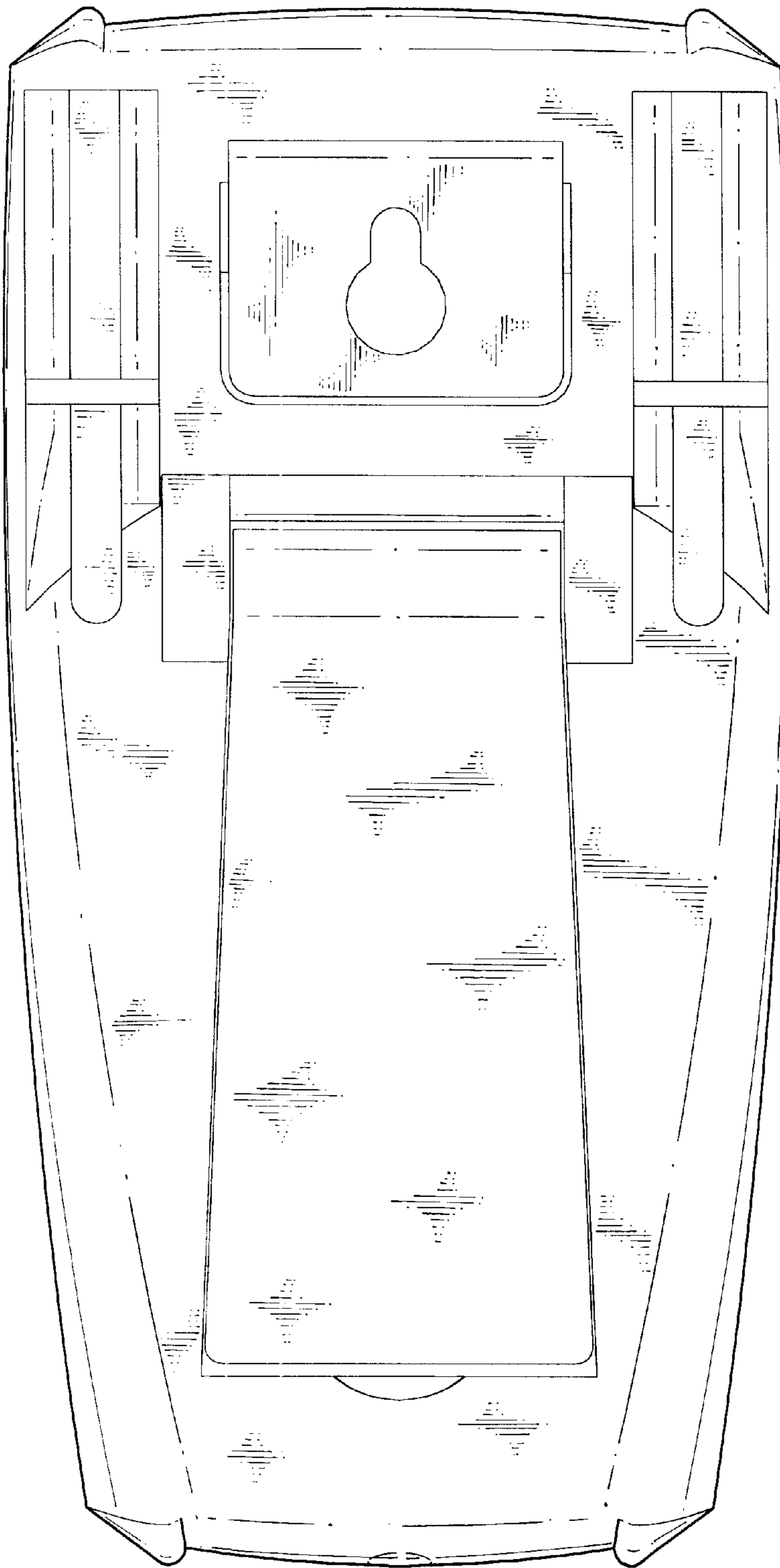


Fig. 3

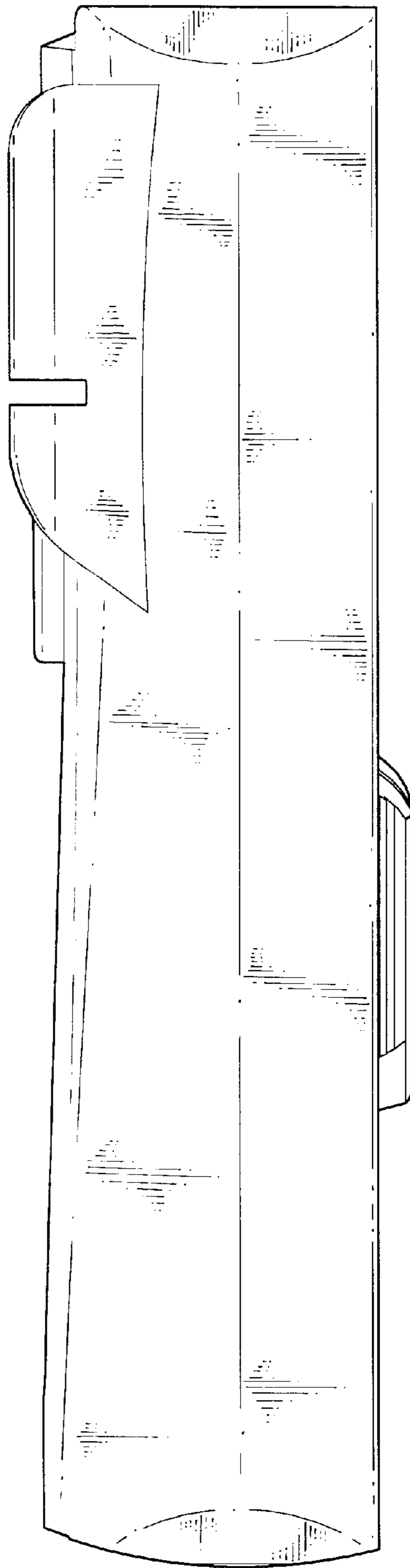


Fig. 4

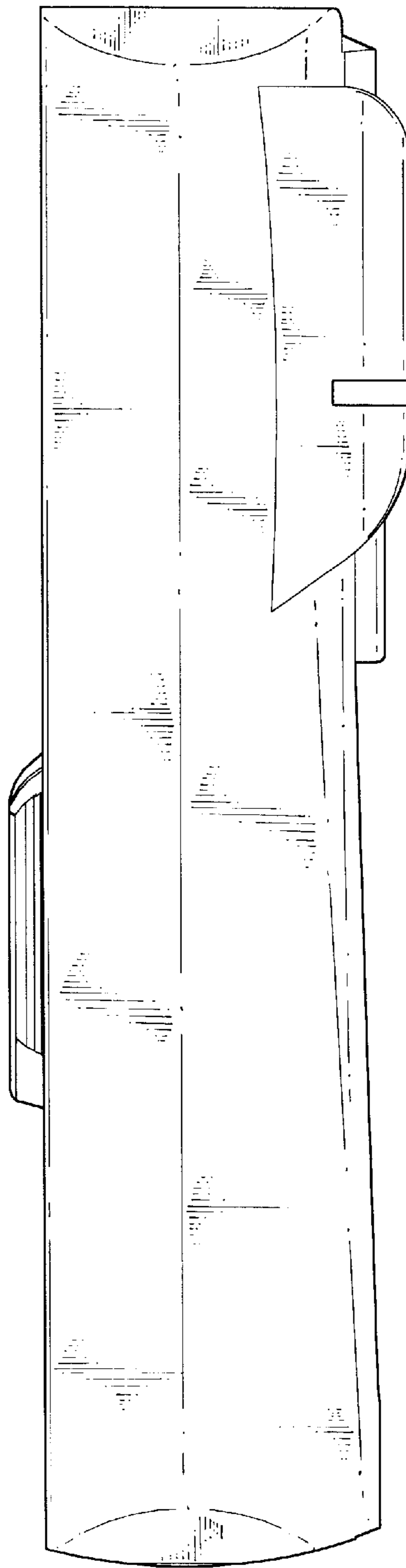


Fig. 5

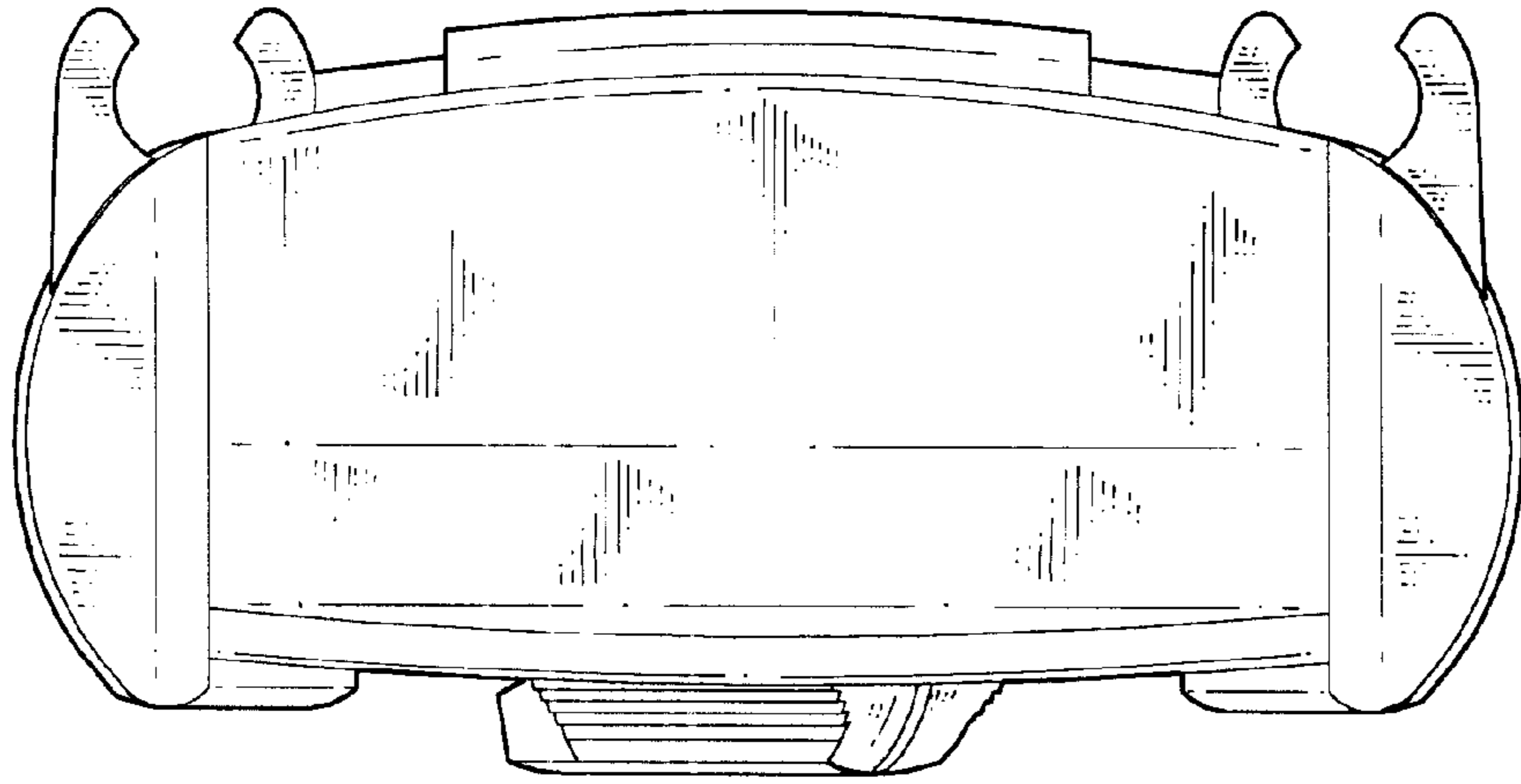


Fig. 6

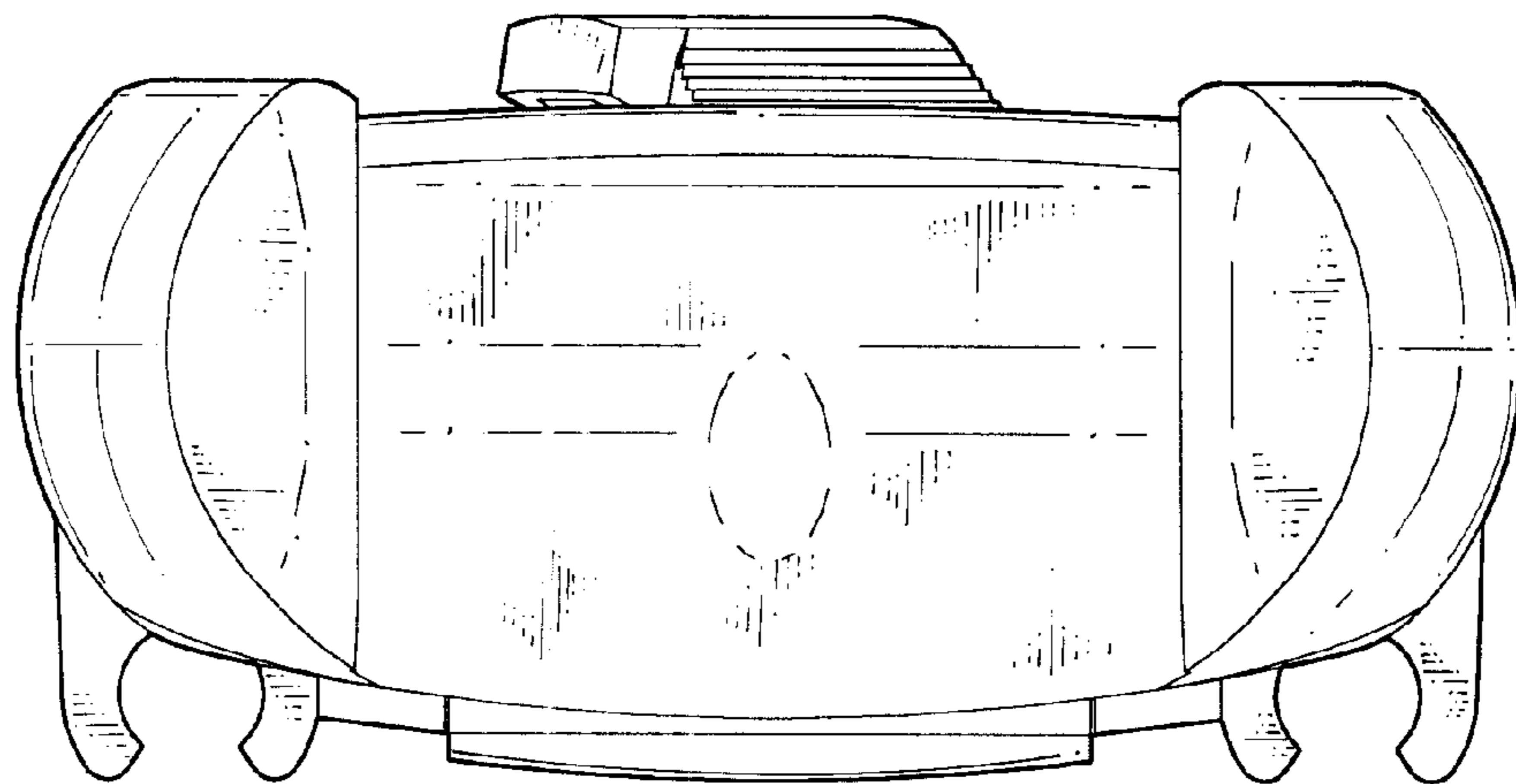


Fig. 7

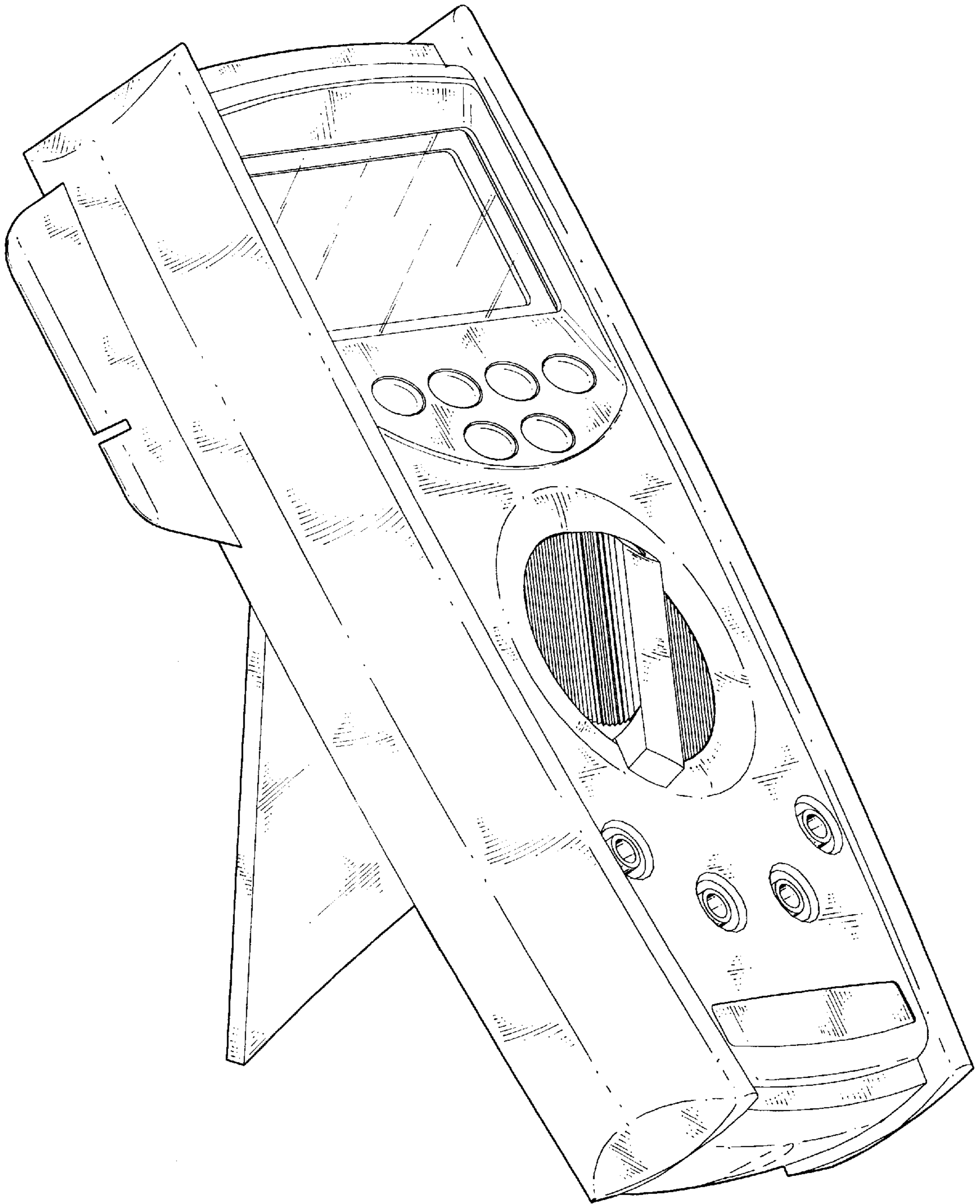


Fig. 8