



US00D446136S

(12) **United States Design Patent**
Horstmann

(10) **Patent No.:** **US D446,136 S**

(45) **Date of Patent:** **** Aug. 7, 2001**

(54) **OVERHEAD FAULTED CIRCUIT INDICATOR**

Primary Examiner—Antoine Duval Davis
(74) *Attorney, Agent, or Firm*—Davis Chin

(75) **Inventor:** **Hendrik Horstmann**, Ratingen (DE)

(57) **CLAIM**

(73) **Assignee:** **Dipl.-Ing. H. Horstmann GmbH** (DE)

The ornamental design for a overhead faulted circuit indicator, as shown and described.

(**) **Term:** **14 Years**

DESCRIPTION

(21) **Appl. No.:** **29/133,890**

FIG. 1 is a perspective view of an overhead faulted circuit indicator showing my design, with a cable being illustrated in broken lines to show the environment;

(22) **Filed:** **Dec. 11, 2000**

FIG. 2 is a front elevational view of the design shown in FIG. 1;

(51) **LOC (7) Cl.** **10-04**

(52) **U.S. Cl.** **D10/75**

(58) **Field of Search** D10/75; 324/133, 324/522, 555; 340/650, 664, 646, 656, 652; 361/1

FIG. 3 is a rear elevational view of the design shown in FIG. 1;

(56) **References Cited**

U.S. PATENT DOCUMENTS

D. 386,098	*	11/1997	Horstmann	D10/75
D. 427,921	*	7/2000	Horstmann	D10/75
5,748,095	*	5/1998	Horstmann	340/664
5,801,526	*	9/1998	Horstmann	324/133

FIG. 4 is a bottom plan view of the design shown in FIG. 1;

FIG. 5 is a top plan view of the design shown in FIG. 1;

FIG. 6 is a left side elevational view of the design shown in FIG. 1; and,

FIG. 7 is a right side elevational view of the design shown in FIG. 1.

* cited by examiner

1 Claim, 2 Drawing Sheets

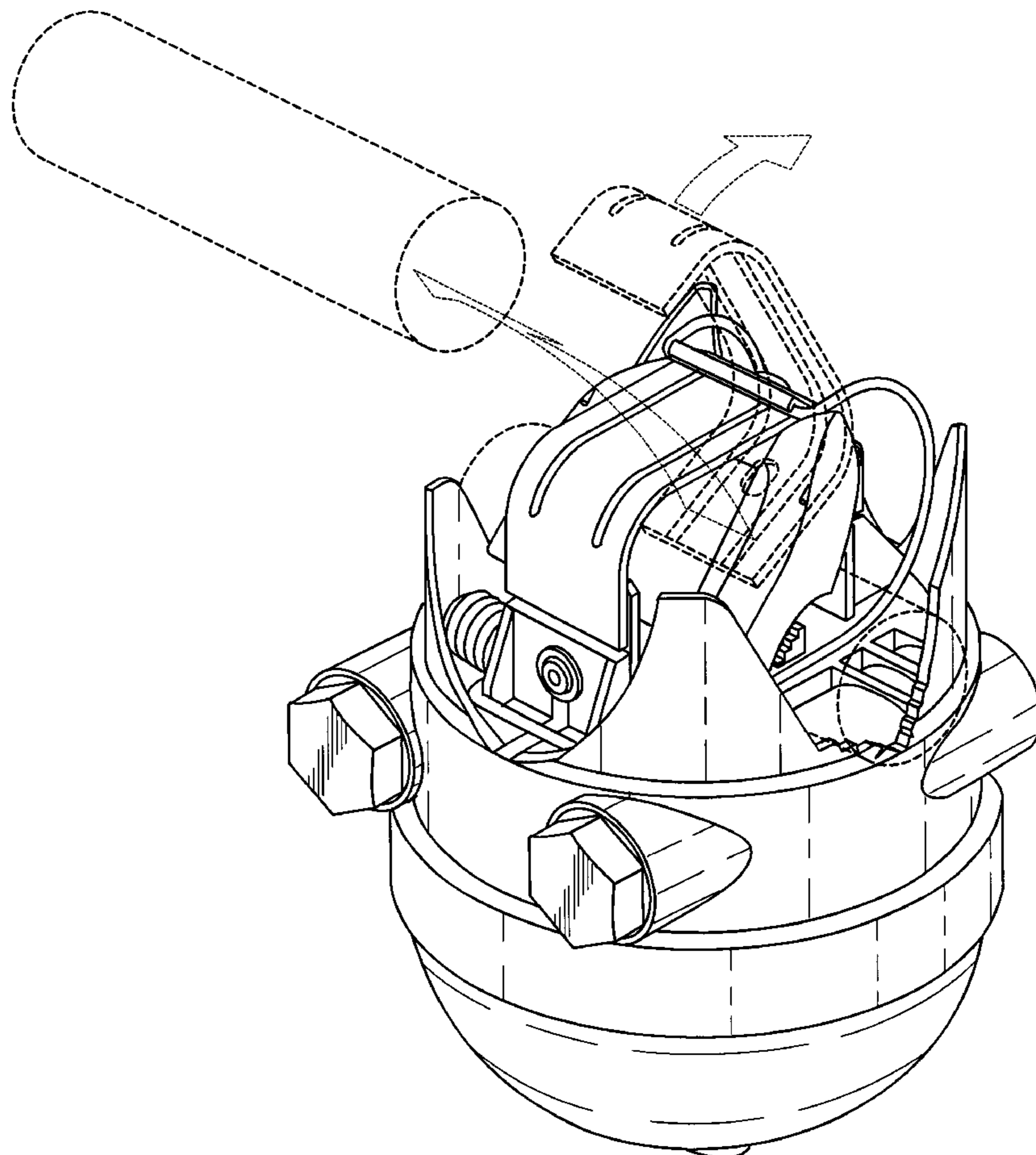


Fig. 1

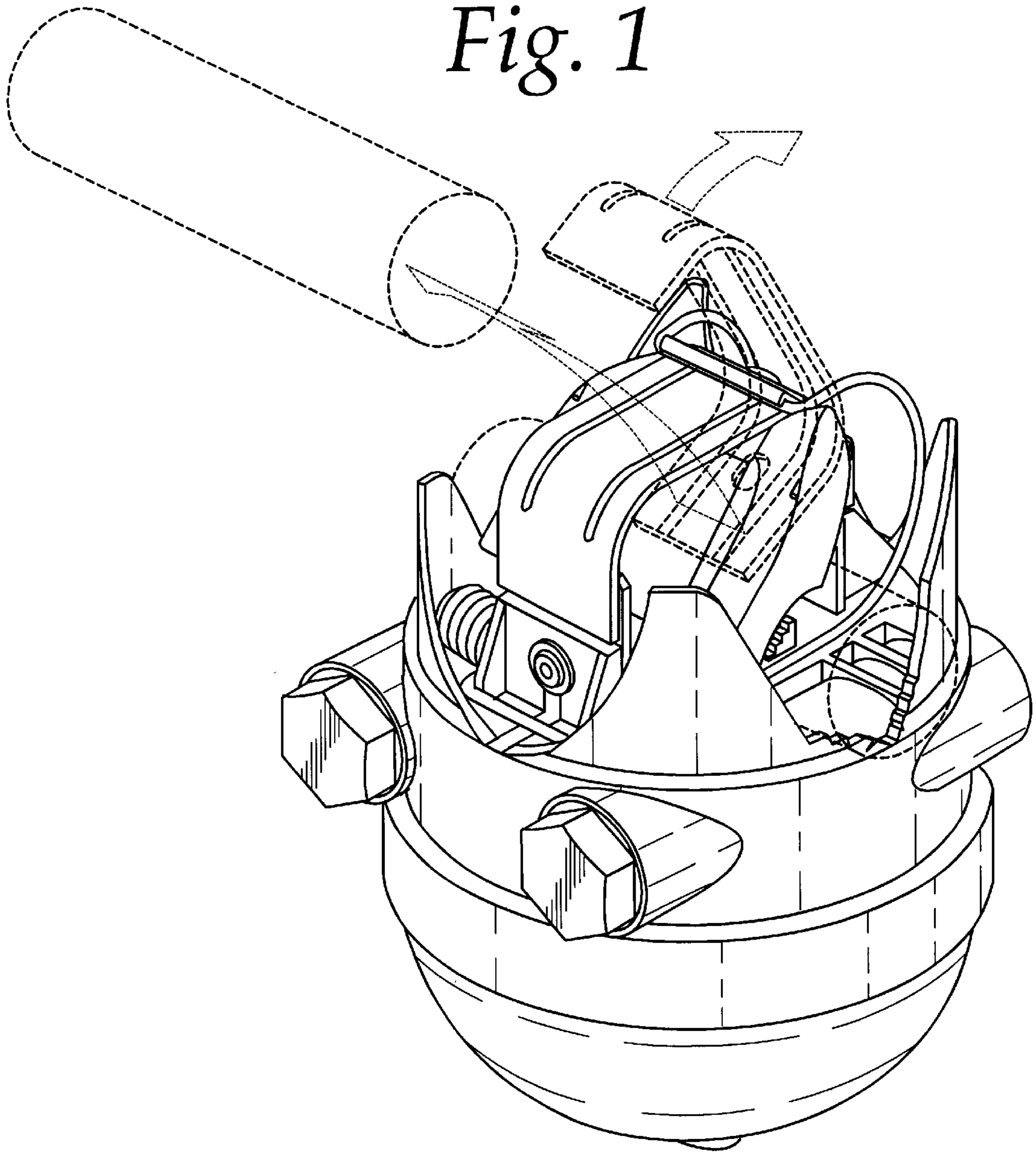


Fig. 2

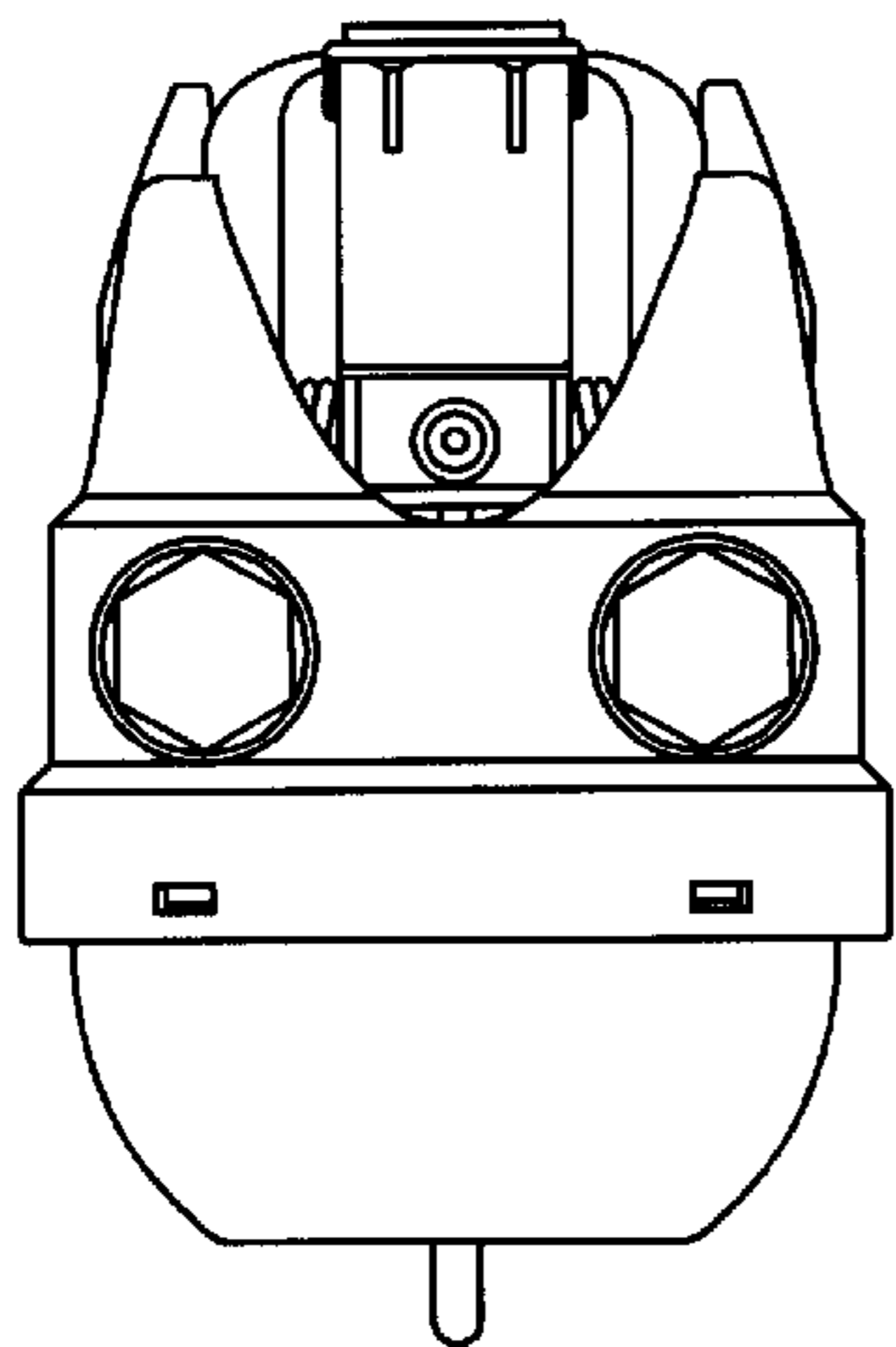


Fig. 3

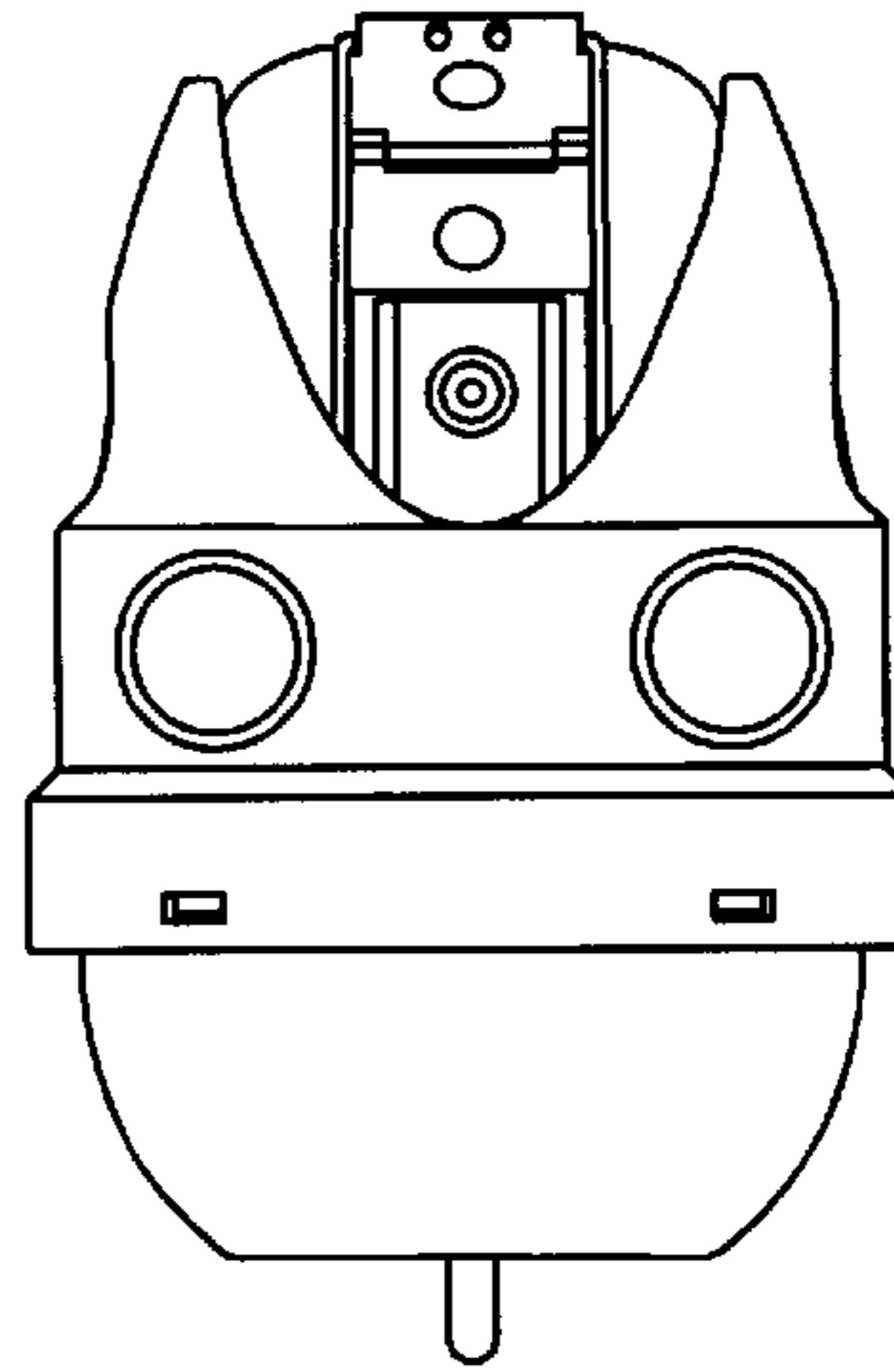


Fig. 4

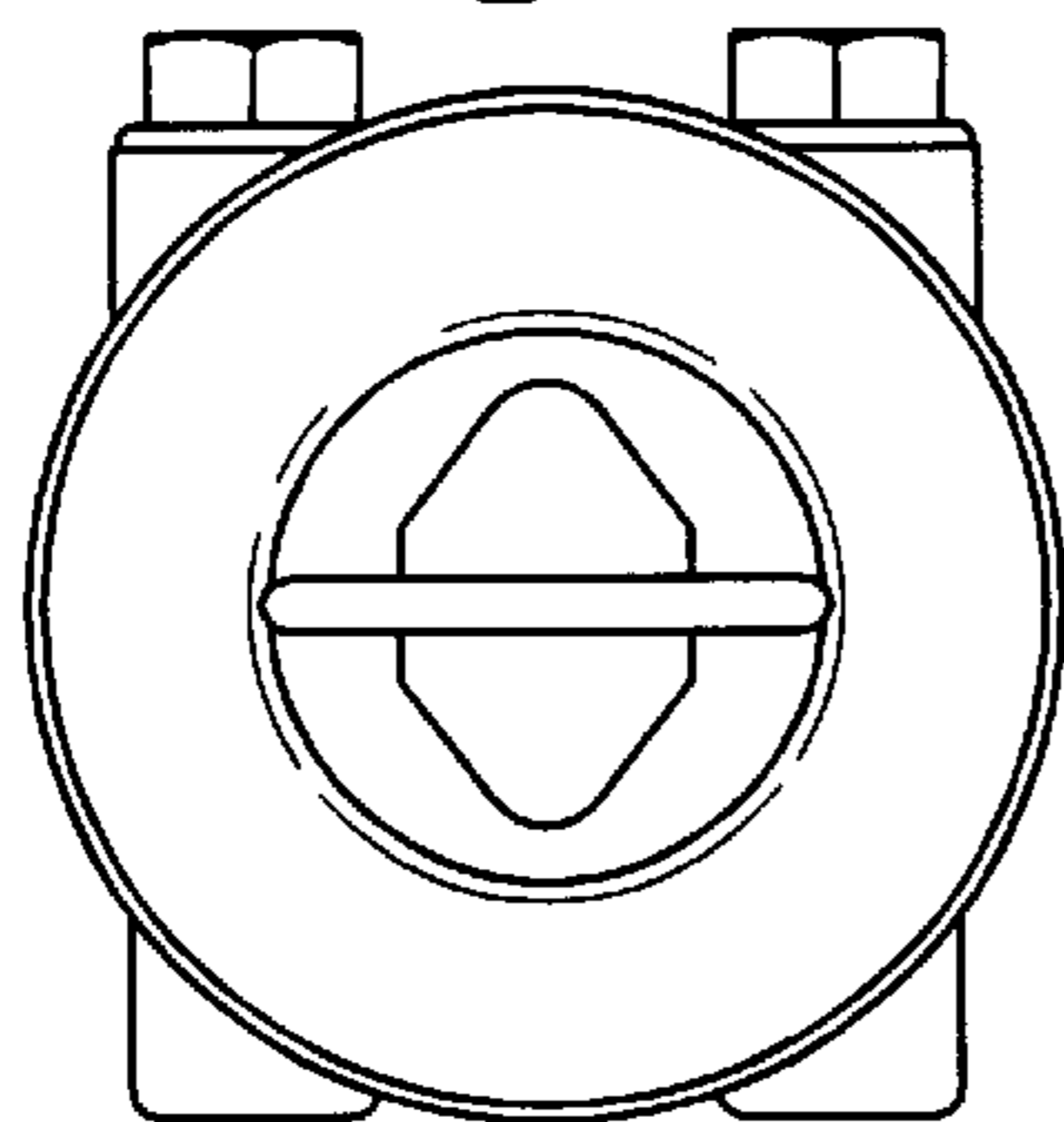


Fig. 5

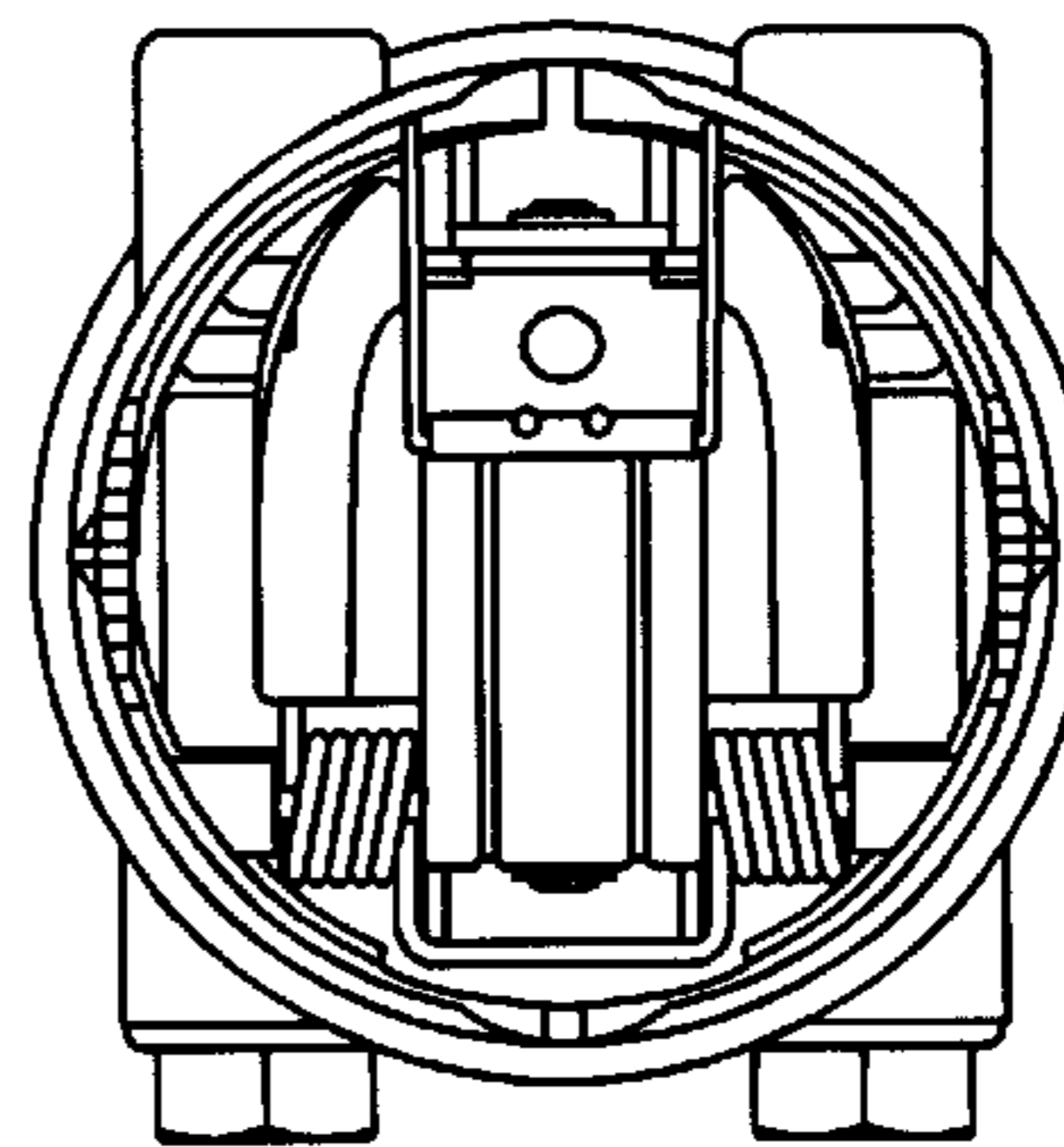


Fig. 6

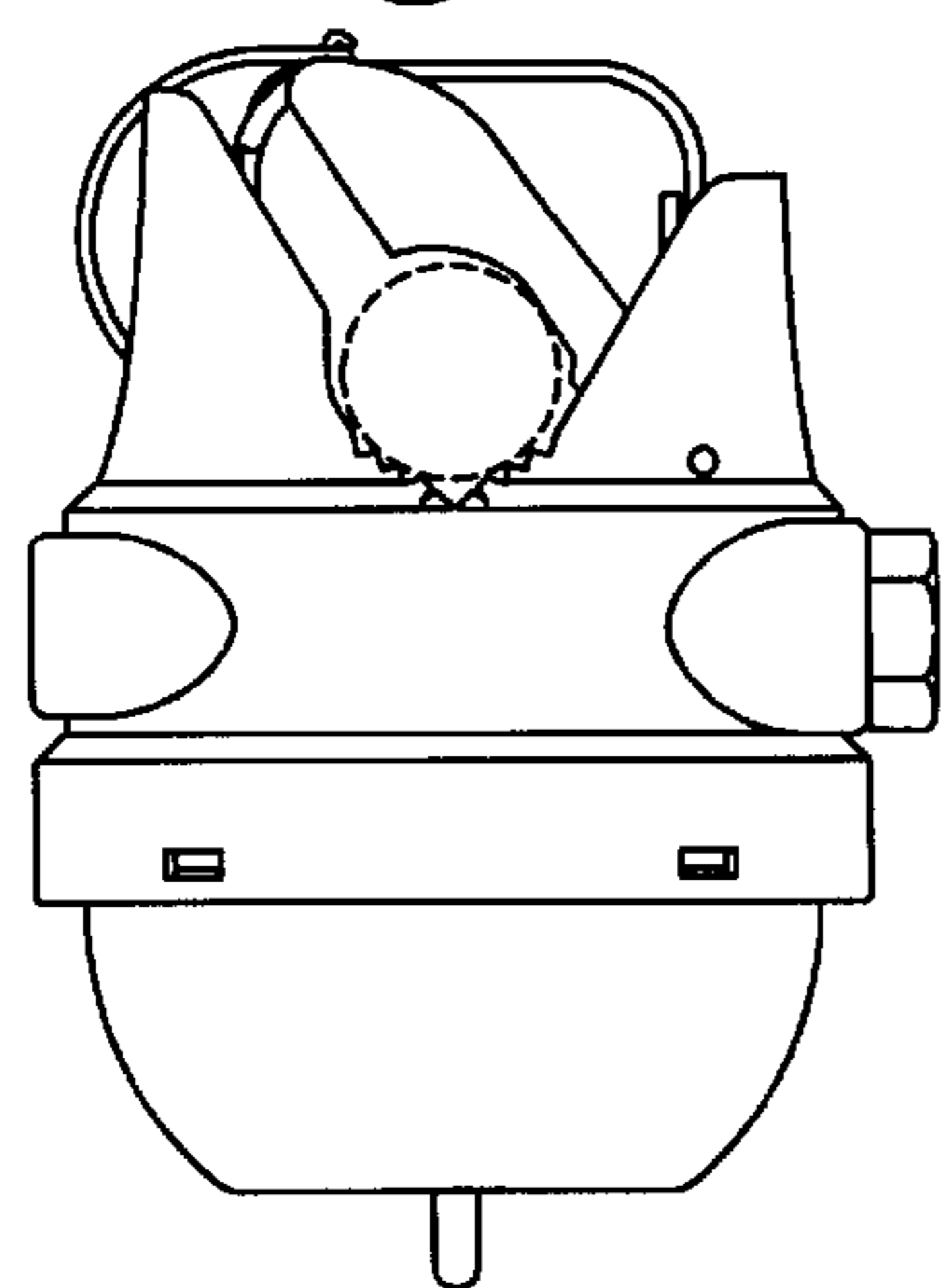


Fig. 7

