



US00D446134S

(12) **United States Design Patent**  
**Lin**

(10) **Patent No.:** **US D446,134 S**

(45) **Date of Patent:** **\*\* Aug. 7, 2001**

(54) **EAR THERMOMETER**

(76) Inventor: **Omar Lin**, No. 183, Niu-Pu East Road,  
Hsinchu (TW)

(\*\*) Term: **14 Years**

(21) Appl. No.: **29/131,121**

(22) Filed: **Oct. 13, 2000**

(51) **LOC (7) Cl.** ..... **10-04**

(52) **U.S. Cl.** ..... **D10/57**

(58) **Field of Search** ..... D10/57; 128/664,  
128/736; 374/130, 131, 208; 600/474

(56) **References Cited**

**U.S. PATENT DOCUMENTS**

D. 377,317	*	1/1997	Hartwein	.....	D10/57
D. 377,910	*	2/1997	Hartwein	.....	D10/57
D. 378,282	*	3/1997	Hartwein	.....	D10/57
6,192,268	*	2/2001	Yamamoto et al.	.....	128/664

\* cited by examiner

*Primary Examiner*—Antoine Duval Davis  
(74) *Attorney, Agent, or Firm*—Pro-Techtor International Services

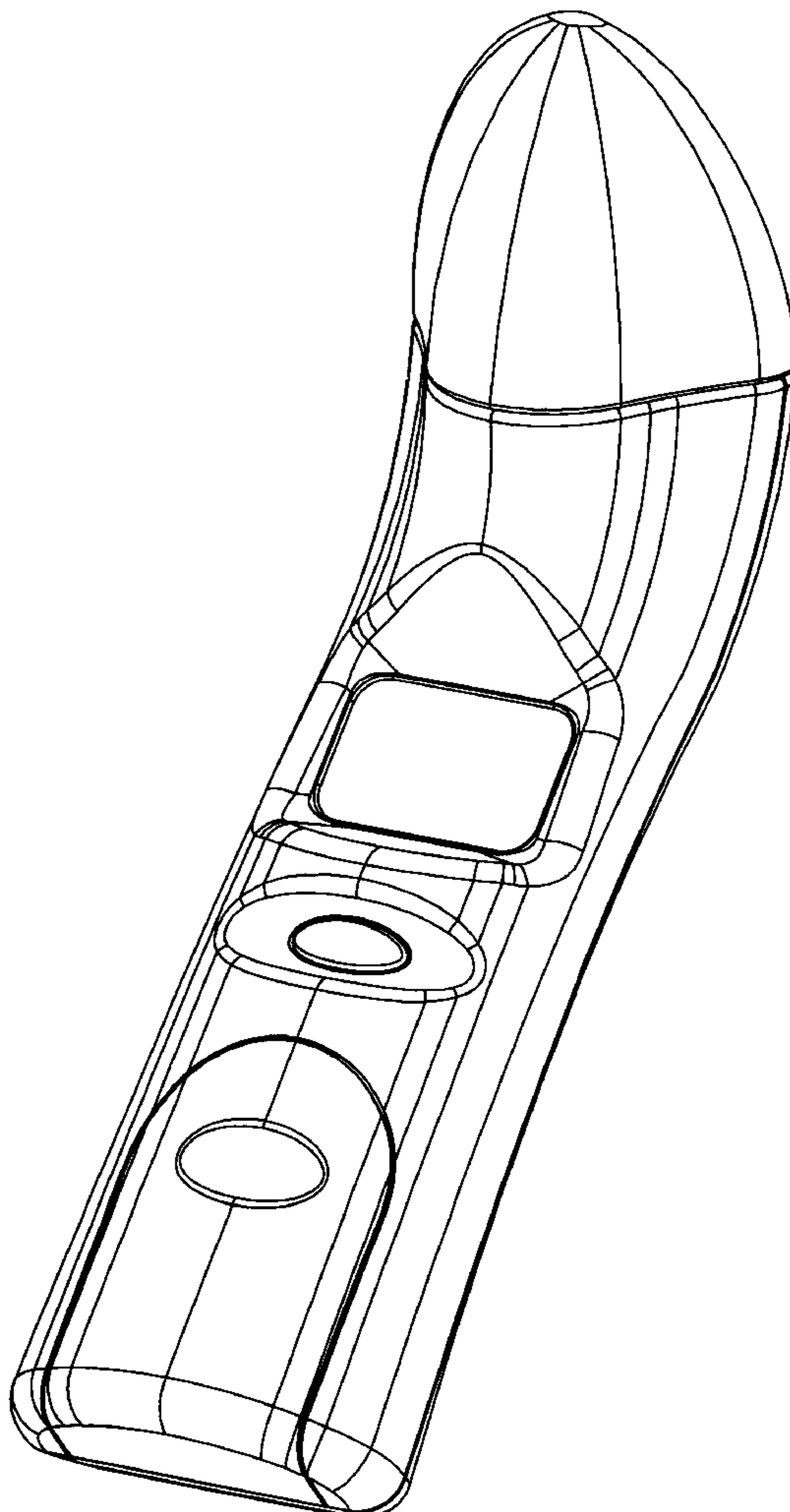
(57) **CLAIM**

The ornamental design for a ear thermometer, as shown and described.

**DESCRIPTION**

FIG. 1 is a perspective view of a ear thermometer that shows our new design;  
FIG. 2 is a front elevational view thereof;  
FIG. 3 is a rear elevational view thereof;  
FIG. 4 is a left side view thereof;  
FIG. 5 is a right side view thereof;  
FIG. 6 is a top plane view thereof;  
FIG. 7 is a bottom plane view thereof;  
FIG. 8 is a perspective view thereof; and,  
FIG. 9 is a reference view showing the status of the ear thermometer during the operations thereof.

**1 Claim, 6 Drawing Sheets**



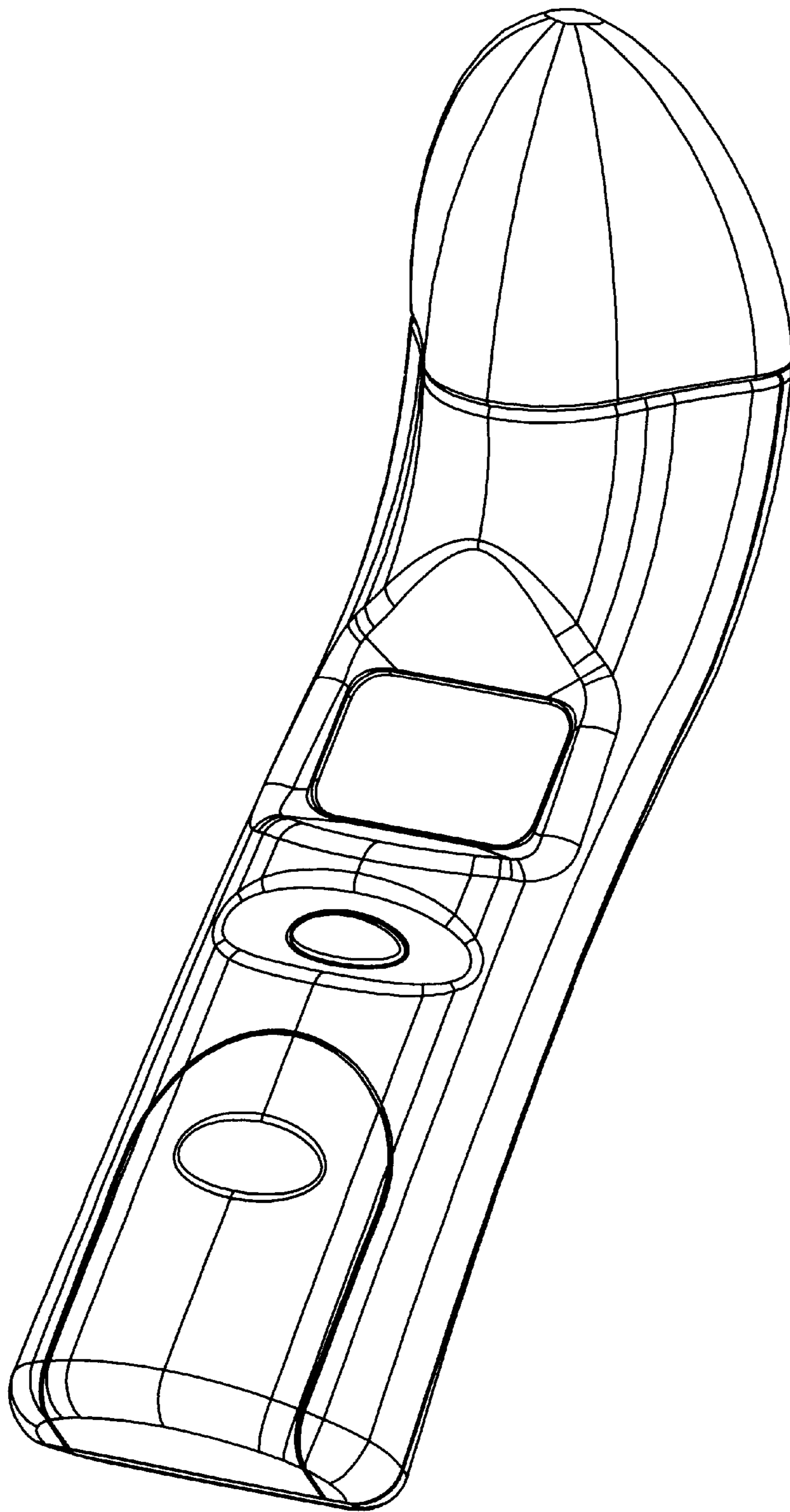


FIG. 1

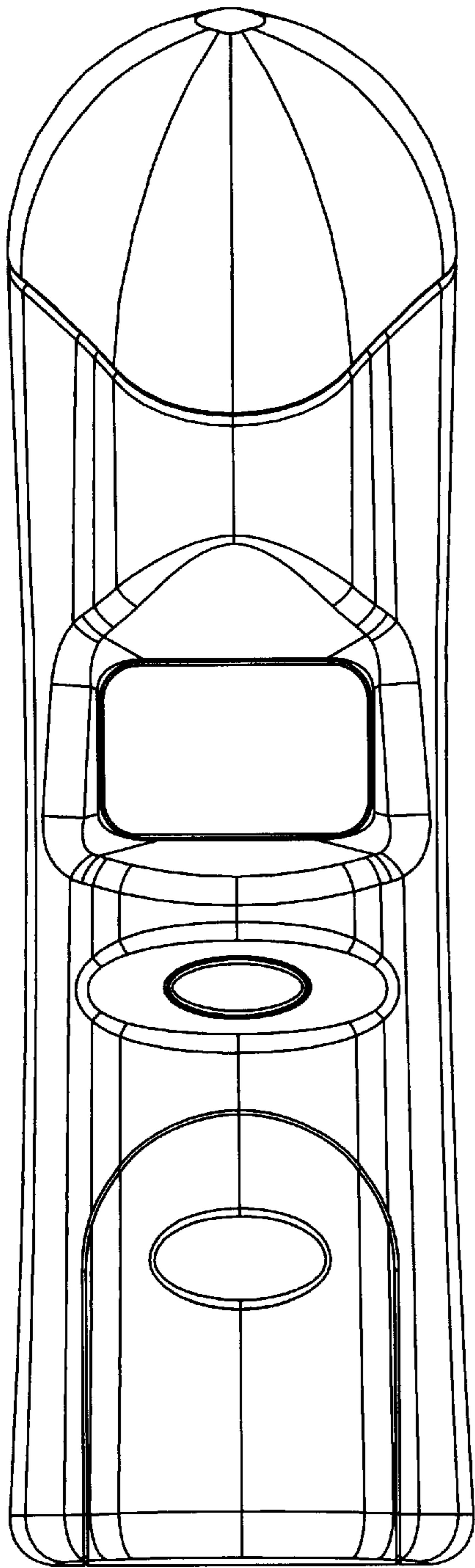


FIG. 2

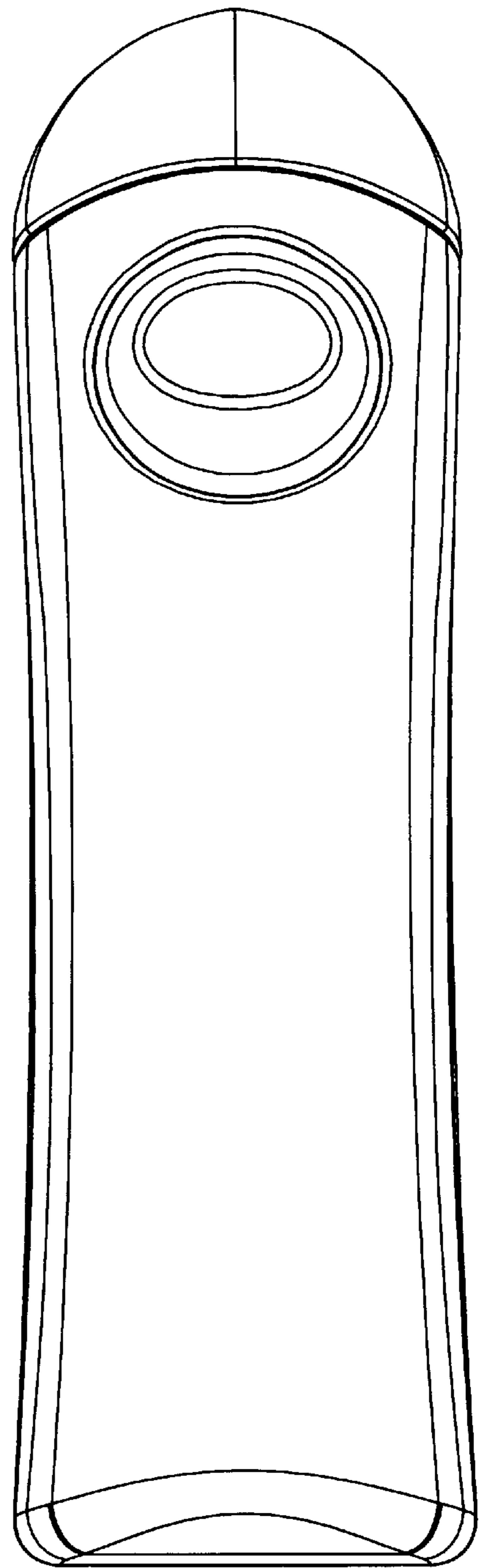


FIG. 3

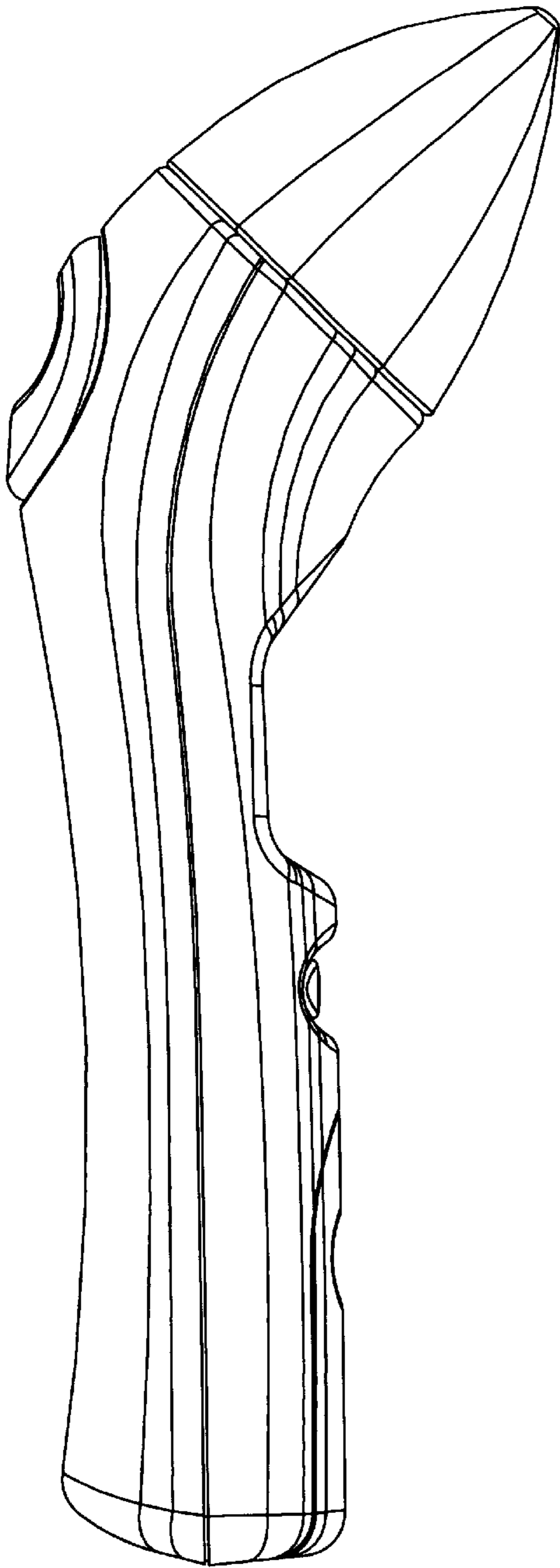


FIG. 4



FIG. 5

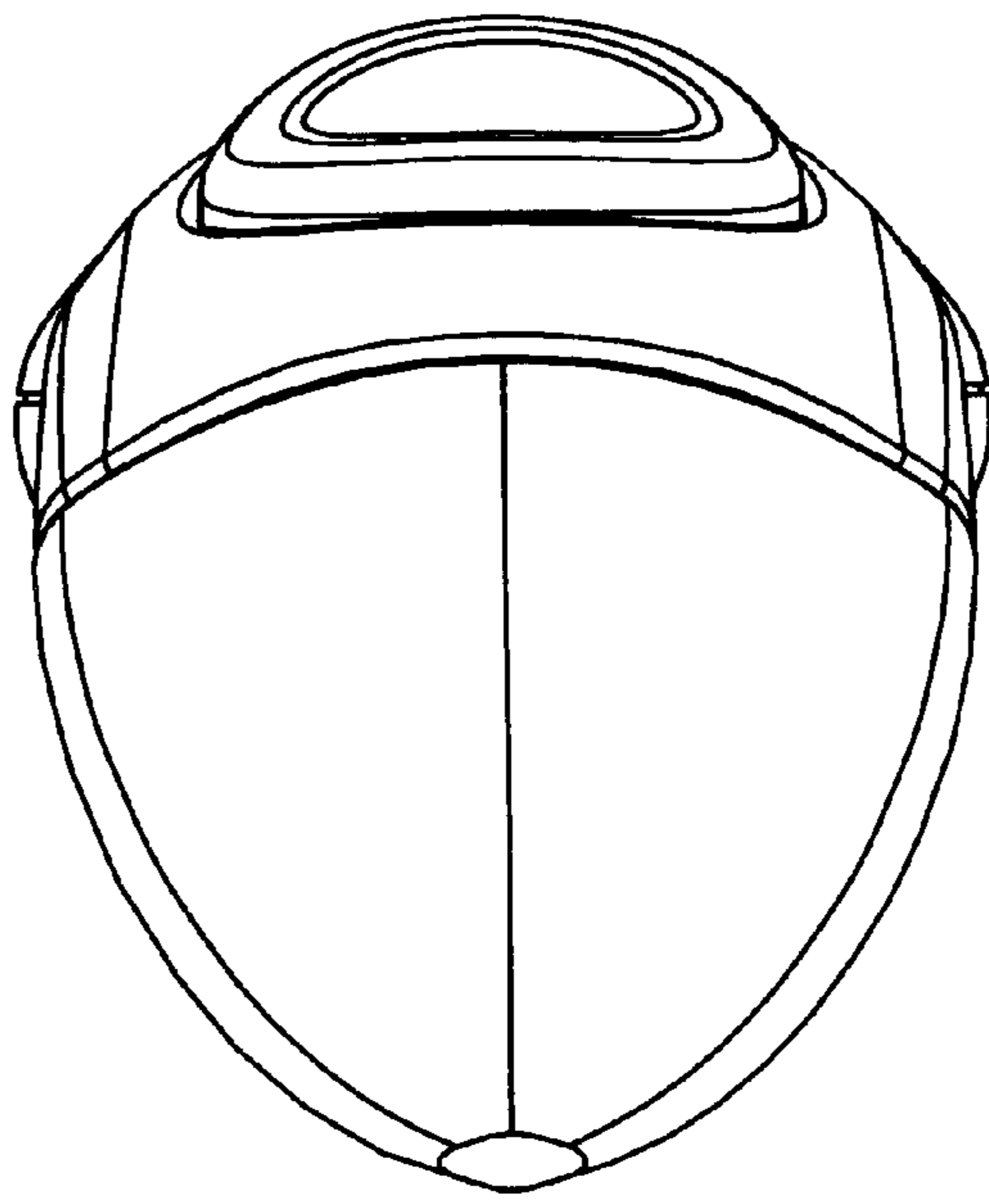


FIG. 6

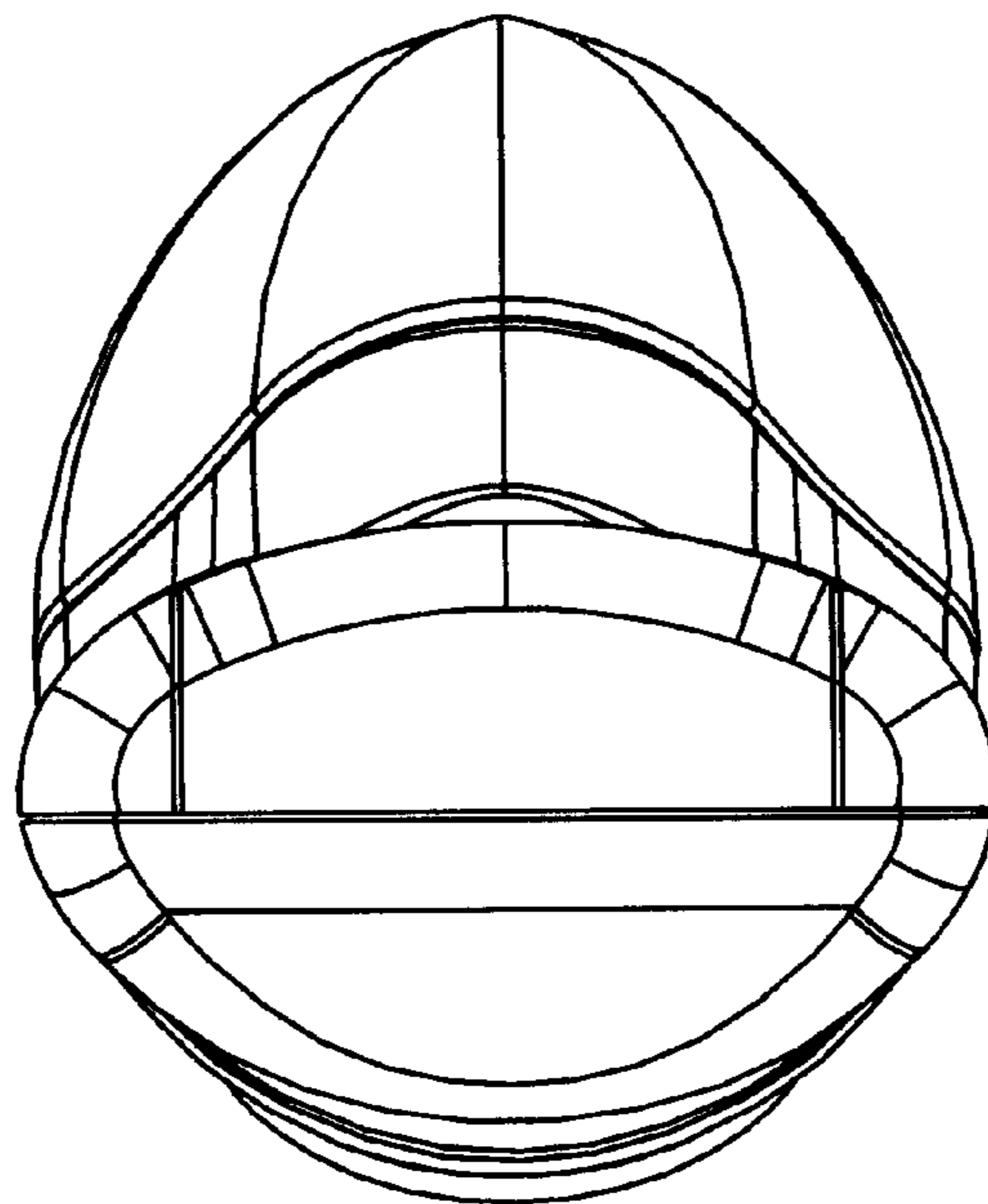


FIG. 7

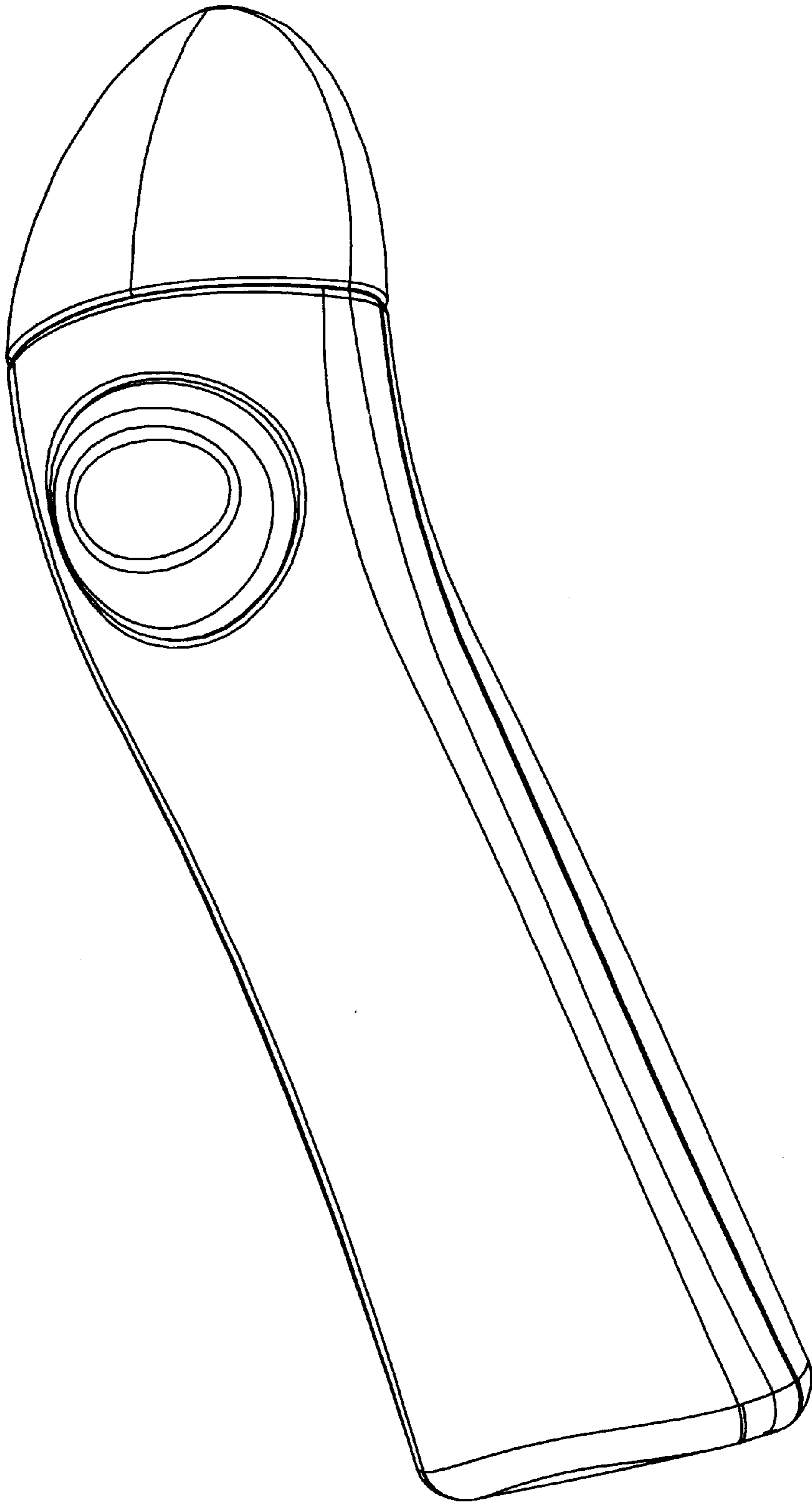


FIG. 8

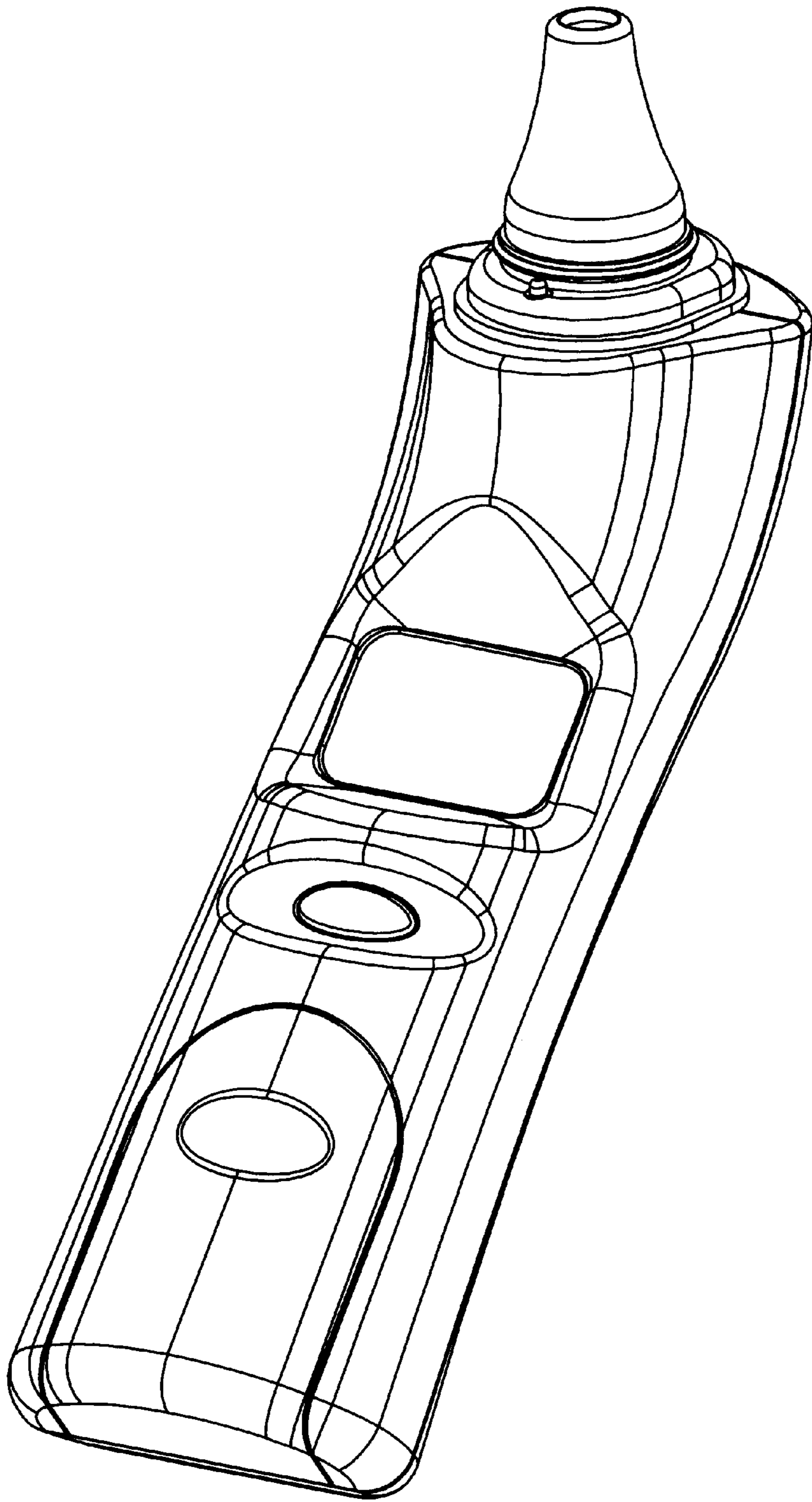


FIG. 9