



US00D446132S

(12) **United States Design Patent**
Pickens

(10) **Patent No.:** **US D446,132 S**

(45) **Date of Patent:** **** Aug. 7, 2001**

(54) **THERMOSTAT WITH REMOTE CONTROL**

(76) Inventor: **Willie Pickens**, 7921 Silver Birch Ave.,
Bakersfield, CA (US) 93313

(**) Term: **14 Years**

(21) Appl. No.: **29/132,630**

(22) Filed: **Nov. 13, 2000**

(51) **LOC (7) Cl.** **10-04**

(52) **U.S. Cl.** **D10/50; D10/60**

(58) **Field of Search** D10/49, 50, 60;
62/175; 165/260, 270; 200/343; 236/45 R,
47, 49.3, 51, 84, 94, 16, 1 E, 1 EA, 1 EB;
361/680, 681; 364/557; 400/495

(56) **References Cited**

U.S. PATENT DOCUMENTS

D. 429,169 * 8/2000 Ohlwine et al. D10/50

D. 434,338 * 11/2000 Odom et al. D10/49

* cited by examiner

Primary Examiner—Antoine Duval Davis

(74) *Attorney, Agent, or Firm*—Goldstein Law Offices P.C.

(57) **CLAIM**

The ornamental design for a thermostat with remote control,
as shown and described.

DESCRIPTION

FIG. 1 is a perspective view of a thermostat with remote control.

FIG. 2 is a front elevational view thereof.

FIG. 3 is a rear elevational view thereof.

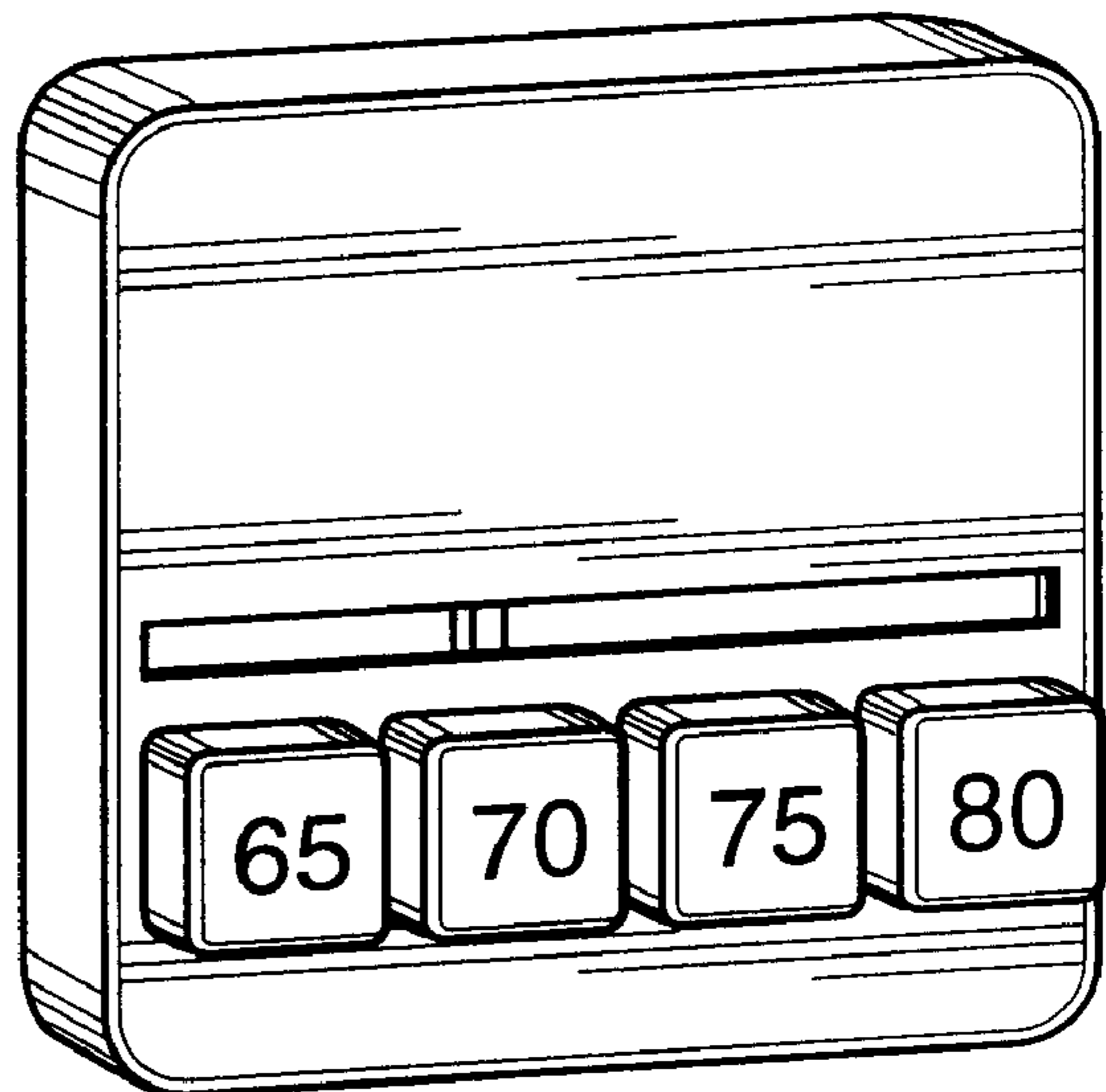
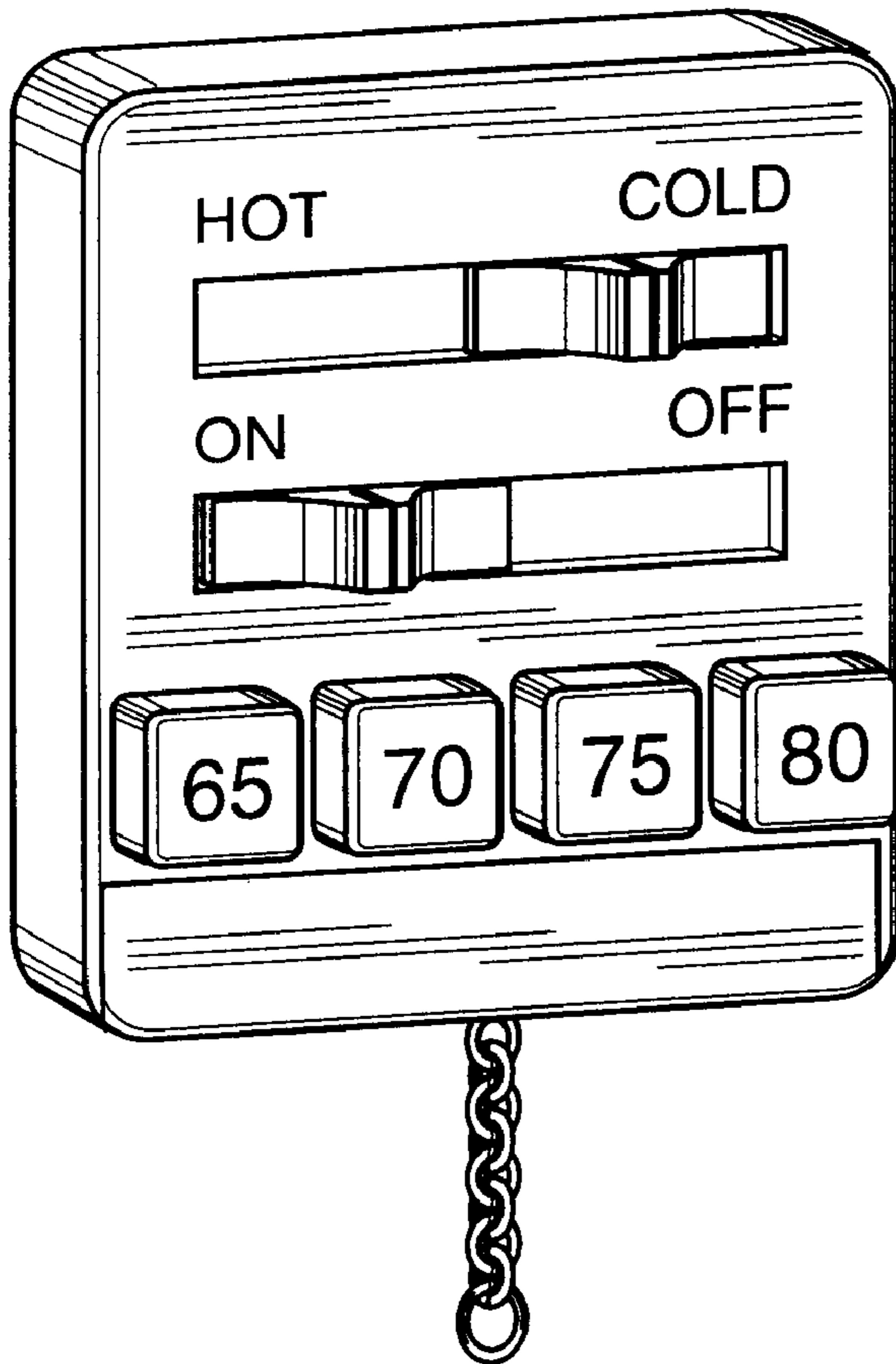
FIG. 4 is a right side elevational view thereof.

FIG. 5 is a left side elevational view thereof.

FIG. 6 is a top plan view of the thermostat with remote control; and,

FIG. 7 is a bottom plan view thereof.

1 Claim, 4 Drawing Sheets



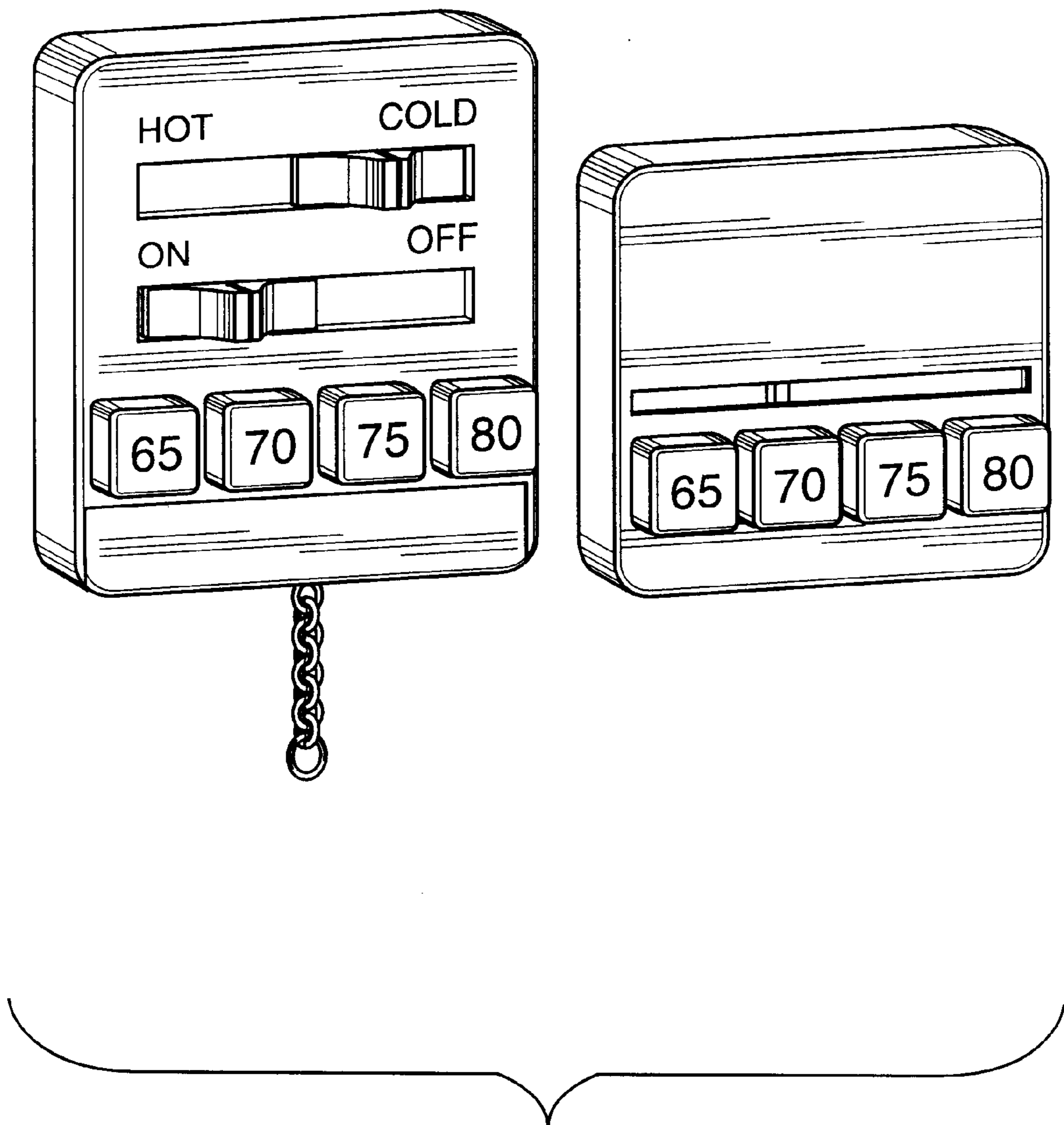
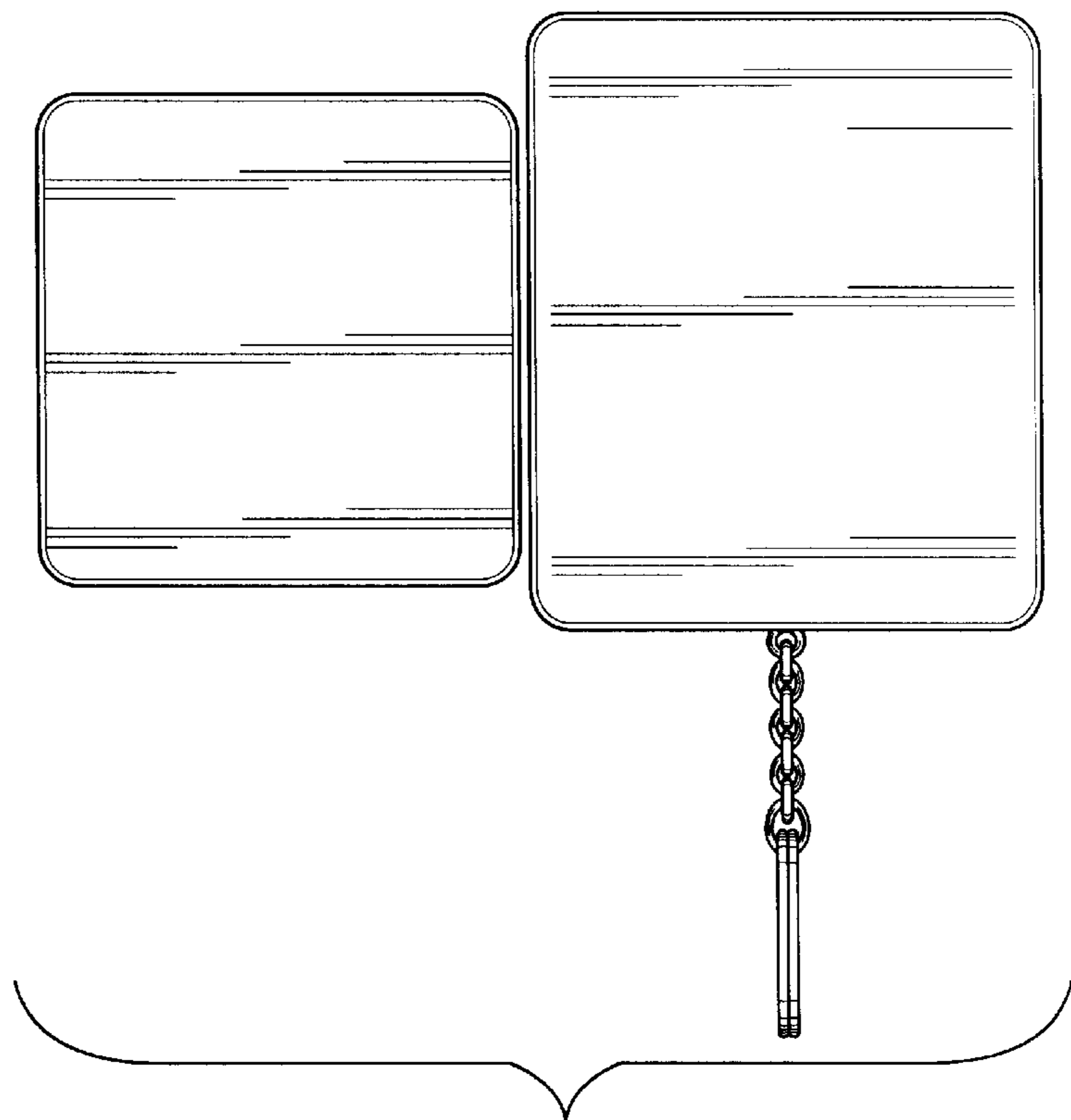
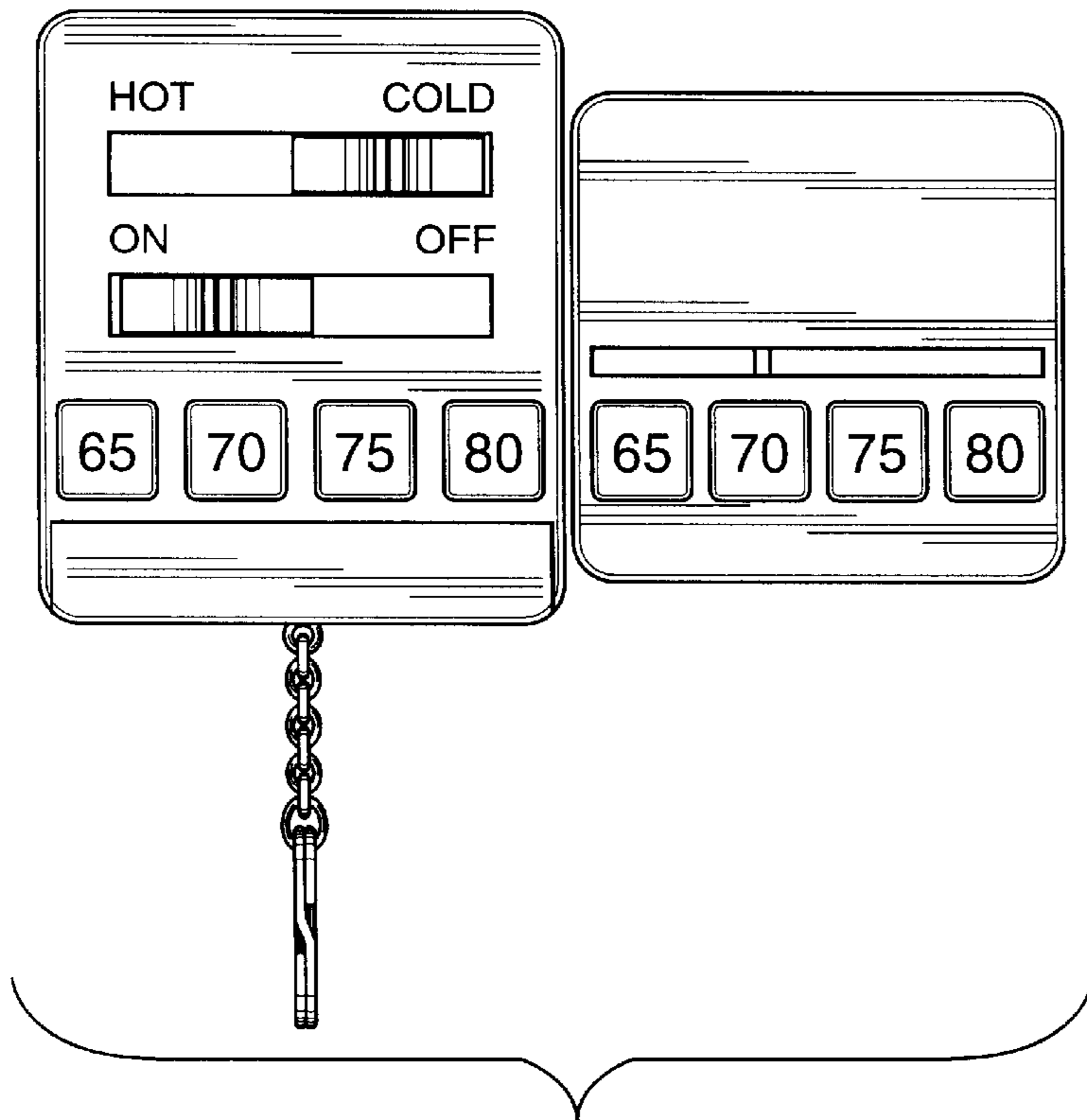


FIG. 1



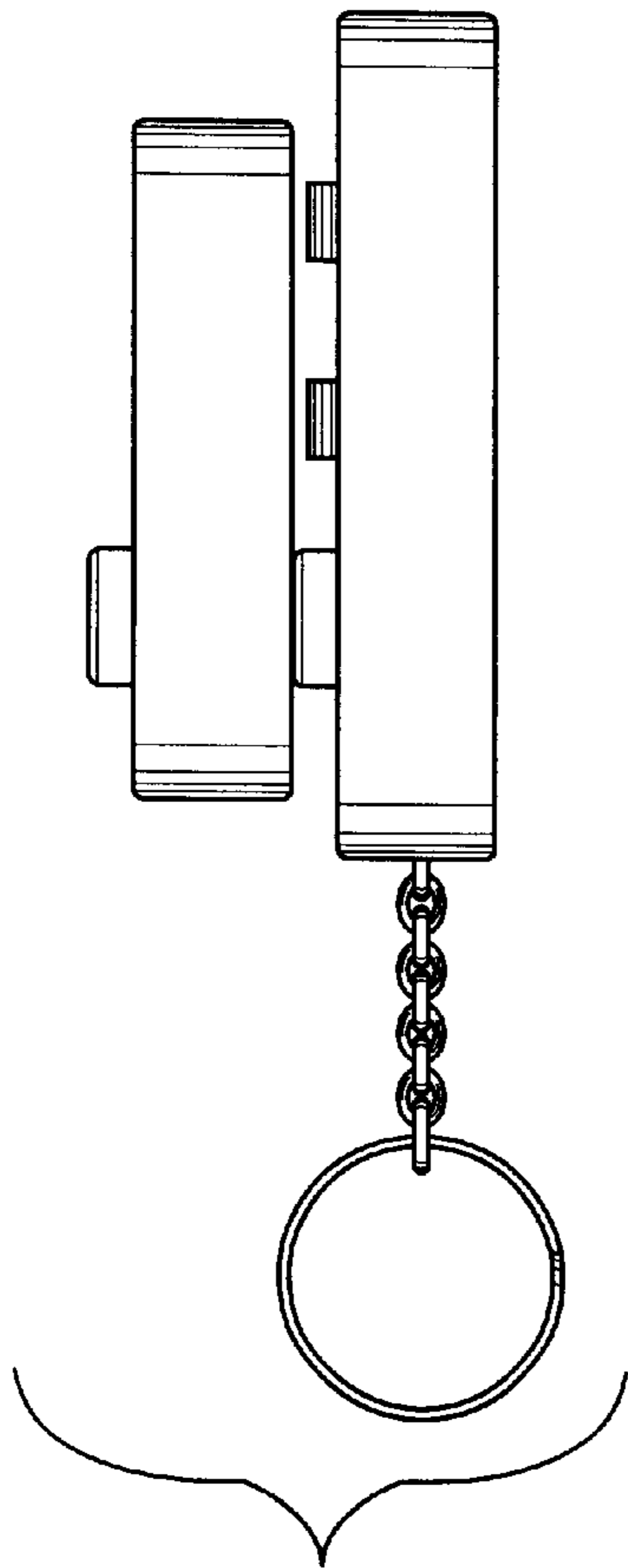


FIG. 4

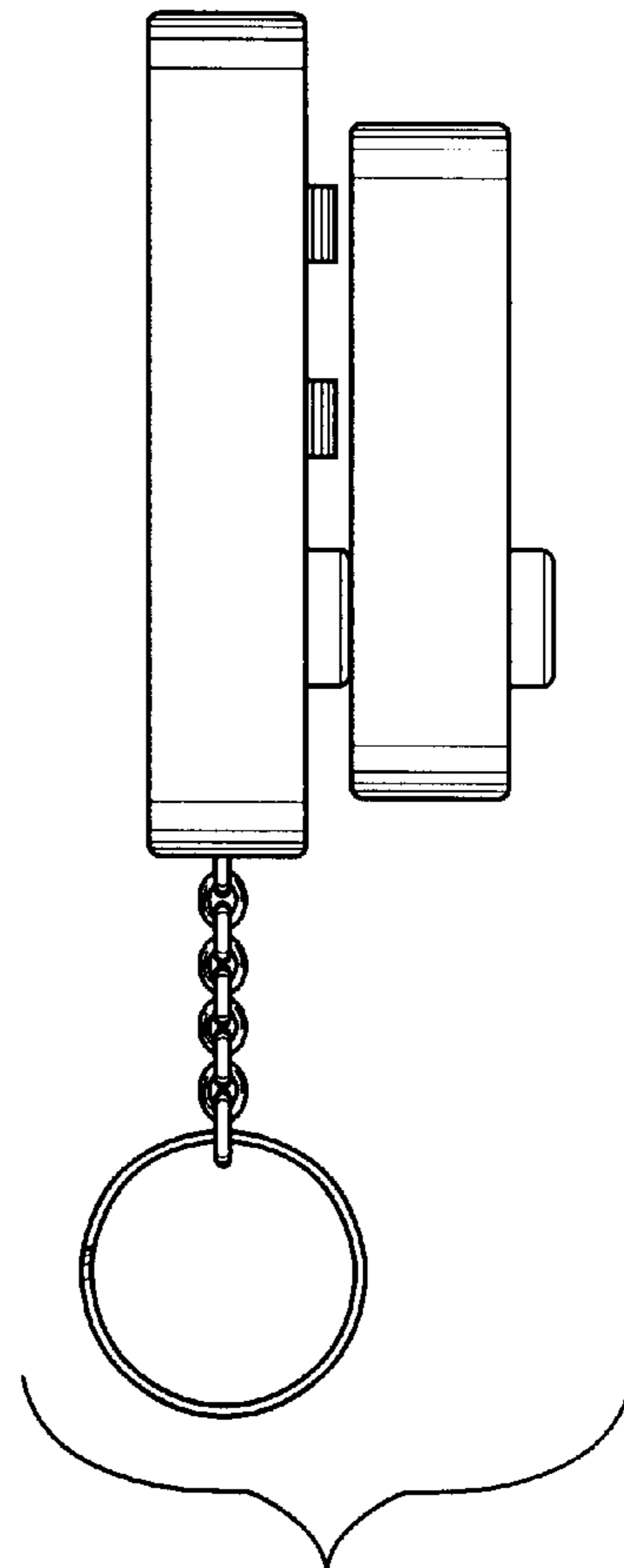


FIG. 5

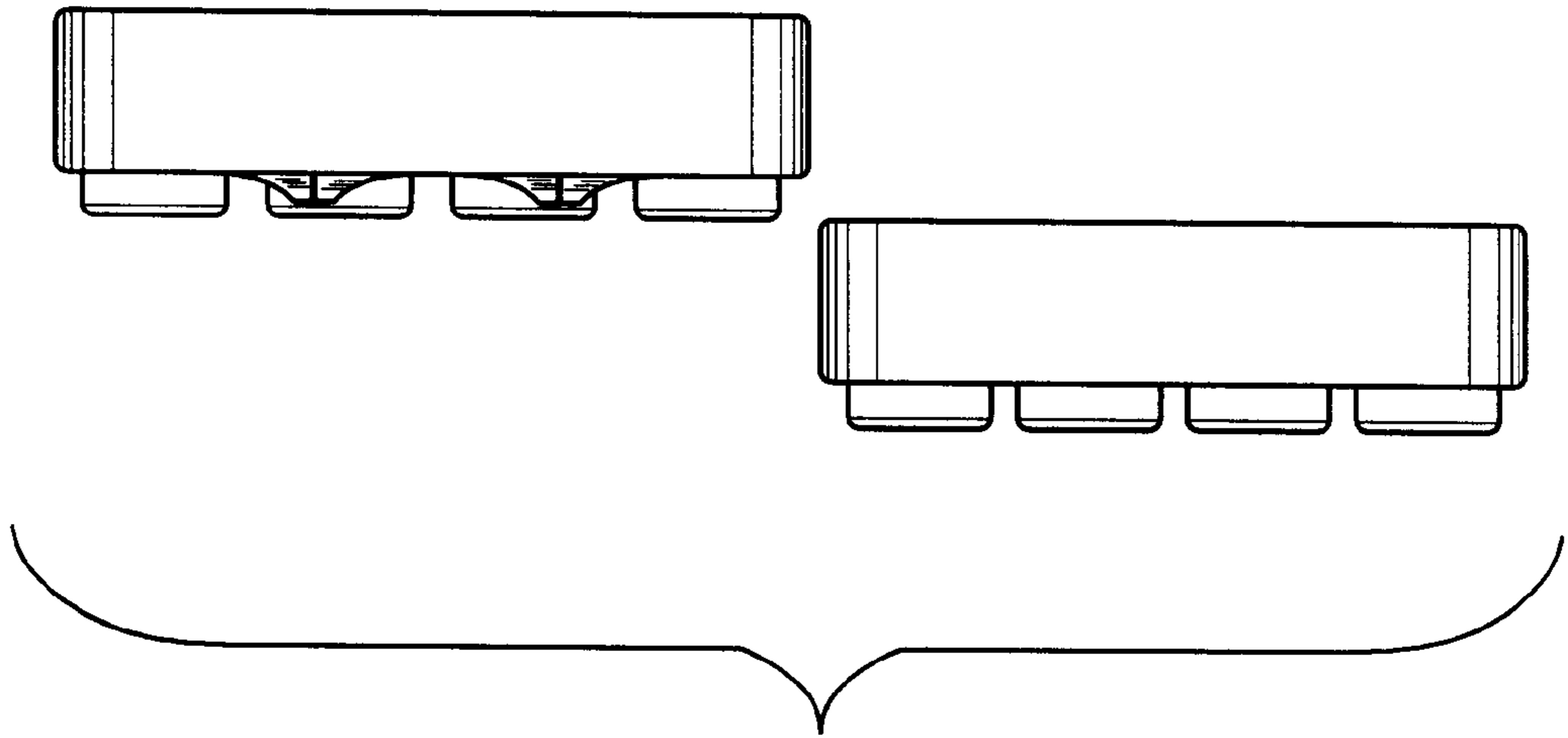


FIG. 6

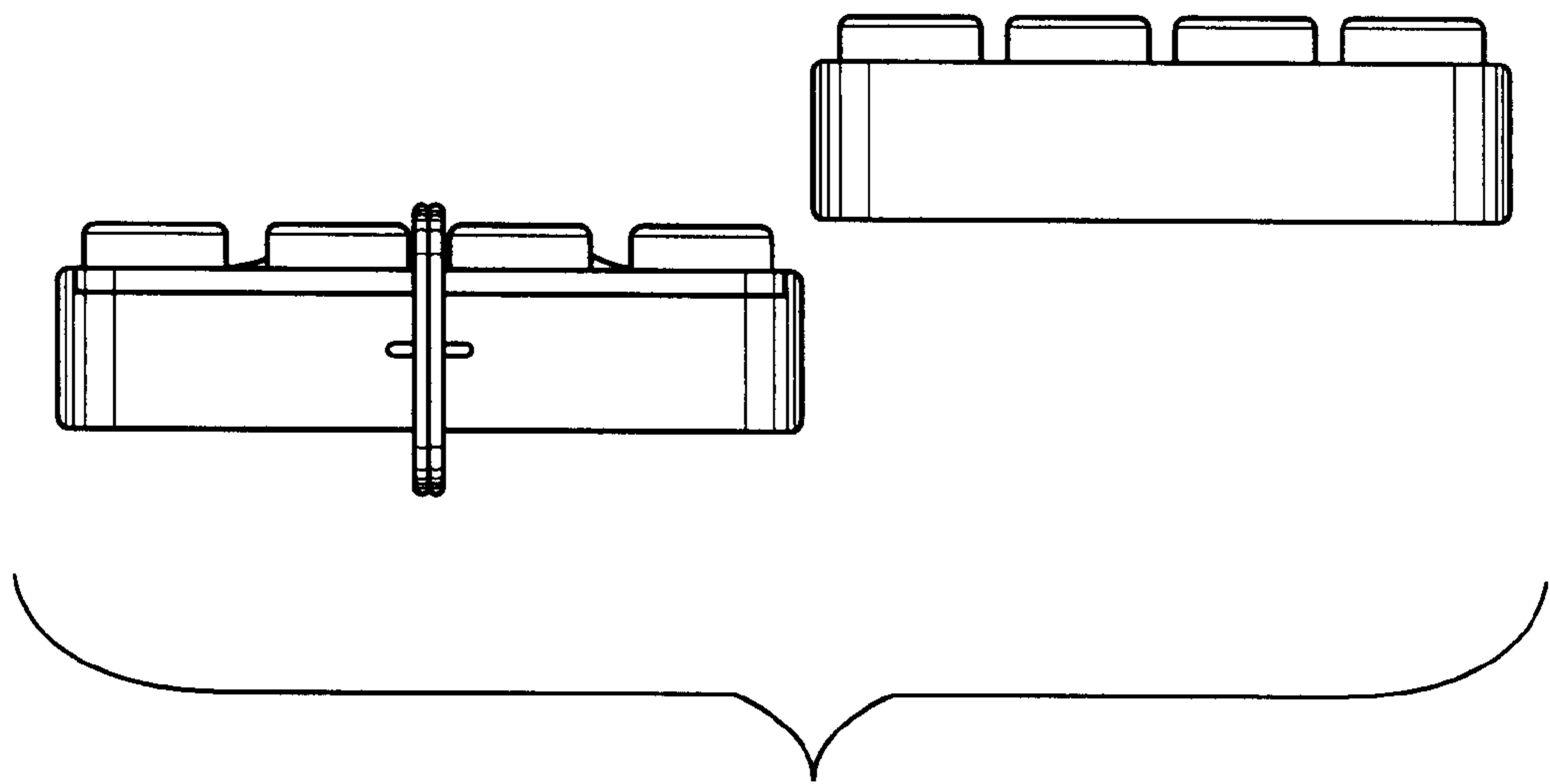


FIG. 7