



US00D446126S

(12) **United States Design Patent**  
**Bretz et al.**

(10) **Patent No.:** **US D446,126 S**

(45) **Date of Patent:** **\*\* Aug. 7, 2001**

(54) **BOTTLE**

(75) Inventors: **John Bretz**, Crystal Lake; **Jeff Lichtman**, Chicago, both of IL (US)

(73) Assignee: **Stokely-Van Camp, Inc.**, Chicago, IL (US)

(\*\*) Term: **14 Years**

D. 315,869	4/1991	Collette .....	D9/392
D. 321,830	11/1991	York et al. ....	D9/434
D. 335,084	4/1993	Snyder .....	D9/502
D. 345,693	4/1994	Edstrom .....	D9/332
D. 348,606	7/1994	Edstrom .....	D9/332
D. 364,565	11/1995	Vaillencourt et al. ....	D9/434
D. 382,806 *	8/1997	Wilson et al. ....	D9/502
D. 390,471	2/1998	Ito .....	D9/539
D. 391,160	2/1998	Lauth .....	D9/502
D. 393,802	4/1998	Collette et al. ....	D9/502

(21) Appl. No.: **29/102,677**

(List continued on next page.)

(22) Filed: **Mar. 26, 1999**

**FOREIGN PATENT DOCUMENTS**

(51) **LOC (7) Cl.** ..... **09-01**

5553 2/1993 (PH) .

(52) **U.S. Cl.** ..... **D9/538; D9/553; D9/557**

901002 11/1990 (ZA) .

(58) **Field of Search** ..... D9/538-541, 502,  
D9/557, 553, 520, 559; 215/382, 381, 383,  
384, 370-373

**OTHER PUBLICATIONS**

Aug. 1998, Pictures of Bottle (Exhibit A).  
Aug. 1998, Pictures of Bottle (Exhibit B).  
Sep. 1998, Pictures of Bottle (Exhibit C).

(56) **References Cited**

**U.S. PATENT DOCUMENTS**

*Primary Examiner*—Lucy Lieberman

(74) *Attorney, Agent, or Firm*—Lars S. Johnson

D. 64,152	3/1924	Sweeney .	
D. 149,394	4/1948	Allen .....	D58/8
D. 159,616	8/1950	Hoffman .....	D58/8
D. 166,542	4/1952	Kunett .....	D58/6
D. 182,540	4/1958	Soubier .....	D58/8
D. 183,040	6/1958	Du Pree .....	D58/8
D. 195,371	6/1963	Torongo .....	D58/8
D. 203,707	2/1966	Piergallini .....	D58/8
D. 208,504	9/1967	Trombley .....	D58/8
D. 217,805	6/1970	Douglas .....	D9/117
D. 231,083	4/1974	Campbell .....	D9/44
D. 240,593 *	7/1976	Koenigsberg .....	D9/557
D. 241,713	10/1976	Plummer .....	D9/100
D. 269,500	6/1983	Bit .....	D9/350
D. 293,890	1/1988	Rogler .....	D9/390
D. 294,117	2/1988	Rogler et al. ....	D9/390
D. 294,462	3/1988	Ota et al. ....	D9/392
D. 294,463	3/1988	Lang .....	D9/392
D. 294,678	3/1988	Papa .....	D9/392
D. 295,381	4/1988	Papa .....	D9/392
D. 306,262	2/1990	Bit .....	D9/396
D. 308,482 *	6/1990	Wild .....	D9/557

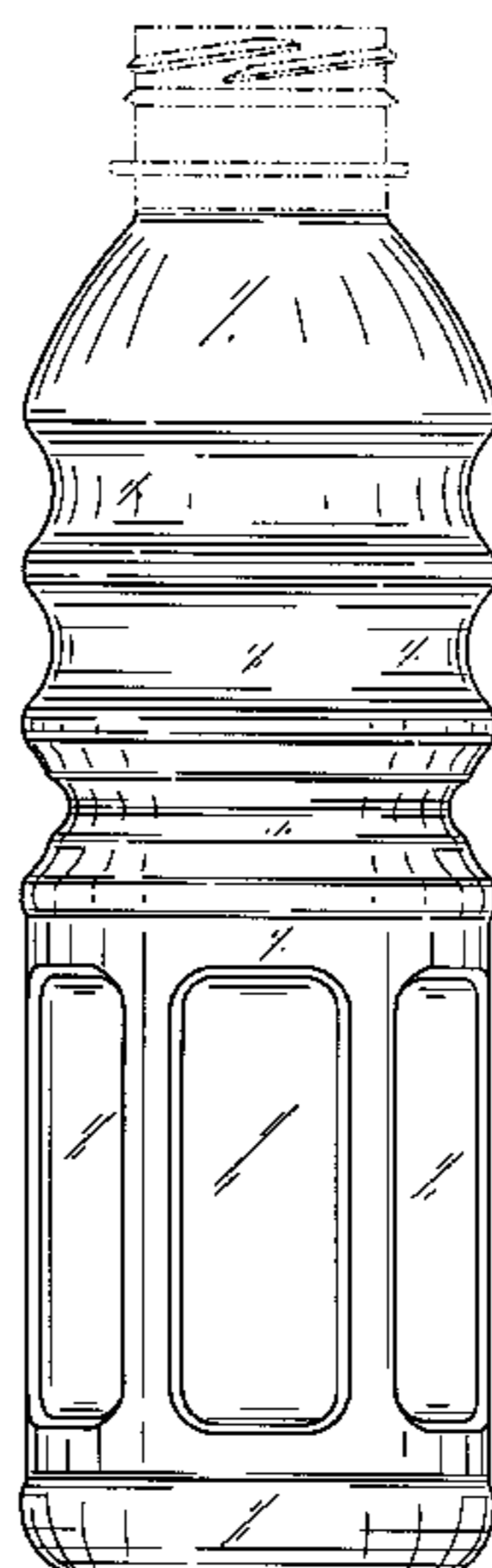
(57) **CLAIM**

The ornamental design for a bottle, as shown and described.

**DESCRIPTION**

FIG. 1 is a perspective view of a bottle showing a new design;  
FIG. 2 is a front elevational view of the bottle depicted in FIG. 1, the opposite rear elevational view being identical;  
FIG. 3 is a side elevational view of the bottle depicted in FIG. 2, representing a partial rotation of the bottle about its vertical center axis from the front elevational view depicted in FIG. 2, the opposite side elevational view being identical;  
FIG. 4 is a top plan view the bottle depicted in FIG. 2; and,  
FIG. 5 is a bottom plan view of the bottle depicted FIG. 2.  
The broken line environmental showing is for illustrative purposes only and does not form part of the claimed design.

**1 Claim, 2 Drawing Sheets**



# US D446,126 S

Page 2

---

## U.S. PATENT DOCUMENTS

D. 396,413	7/1998	Duboff .....	D9/539	5,024,341	6/1991	Dekerle .....	215/1 C
D. 396,640	8/1998	Conrad et al. ....	D9/502	5,064,081	* 11/1991	Hayashi et al. .	
D. 397,297	8/1998	Yang .....	D9/523	5,255,889	10/1993	Collette et al. ....	249/102
D. 397,941	9/1998	Lauth .....	D9/502	5,303,833	4/1994	Hayashi et al. ....	215/1 C
D. 398,479	9/1998	Vultaggio et al. ....	D7/533	5,337,909	8/1994	Vaillencourt .....	215/1 C
D. 401,860	12/1998	Mentasti Granelli .....	D9/538	5,407,086	4/1995	Ota et al. ....	215/1 C
D. 404,306	1/1999	Steinke .....	D9/502	5,632,397	5/1997	Fandoux et al. ....	215/382
D. 410,197	* 5/1999	Herrin et al. ....	D9/538	5,635,229	6/1997	Ray .....	426/112
4,082,200	4/1978	Guest et al. ....	215/1 C	5,704,503	* 1/1998	Krishnakumar et al. ....	215/381
4,818,575	* 4/1989	Hirata et al. .		5,713,480	* 2/1998	Petre et al. ....	215/373
4,863,046	9/1989	Collette et al. ....	215/1 C	5,735,420	4/1998	Nakamaki et al. ....	215/373
4,877,141	10/1989	Hayashi et al. ....	215/1 C	5,746,339	5/1998	Petre et al. ....	215/383
4,907,709	* 3/1990	Abe et al. .		5,971,184	10/1999	Krishnakumar et al. ....	215/384

\* cited by examiner

FIG. 1

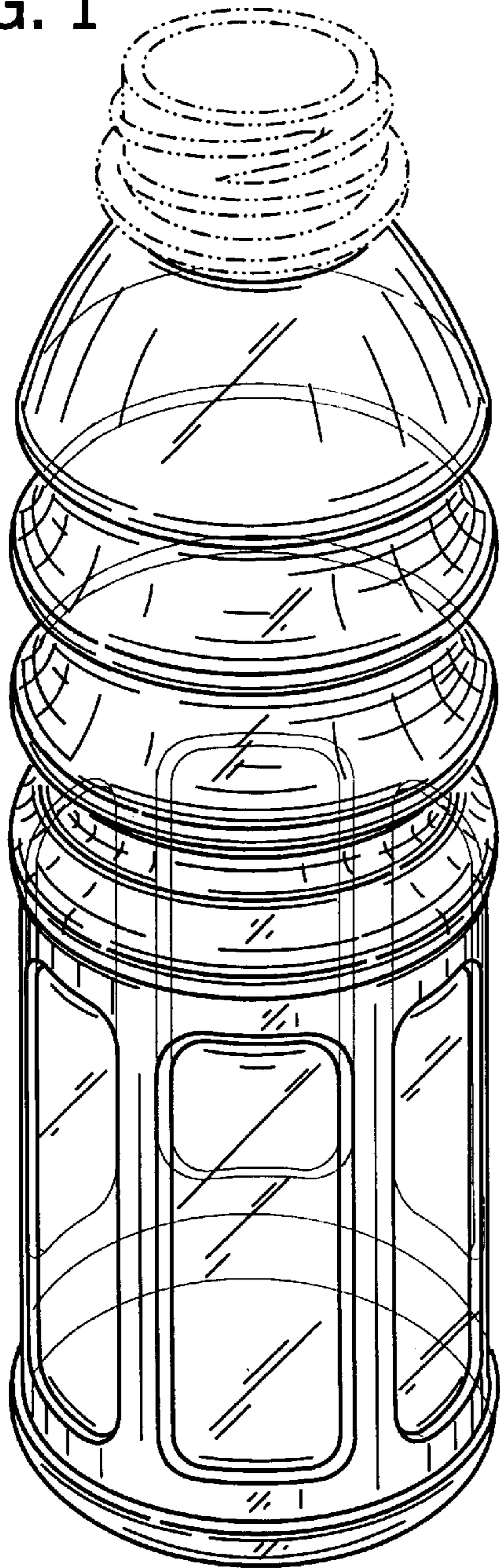


FIG. 4

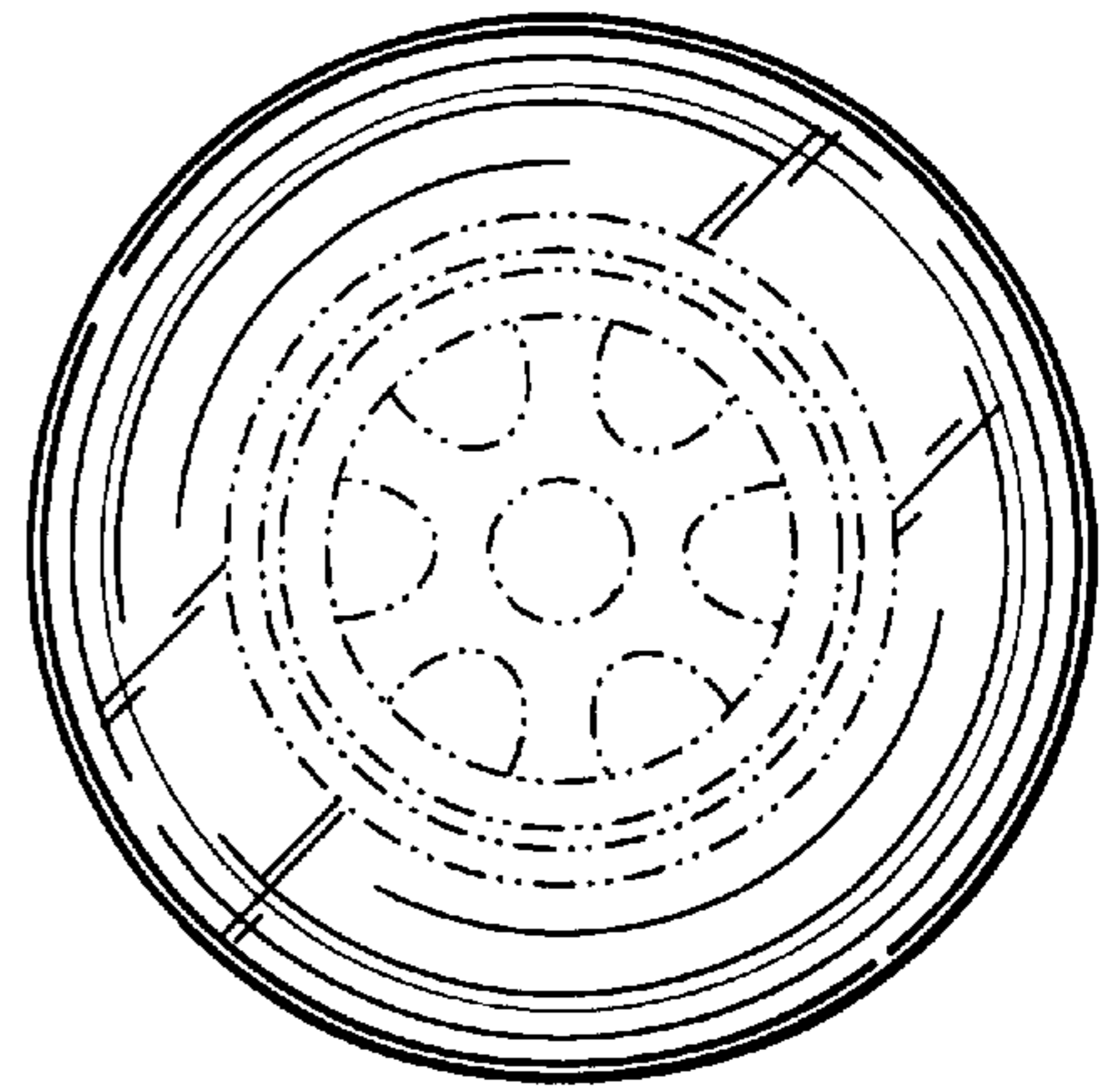


FIG. 5

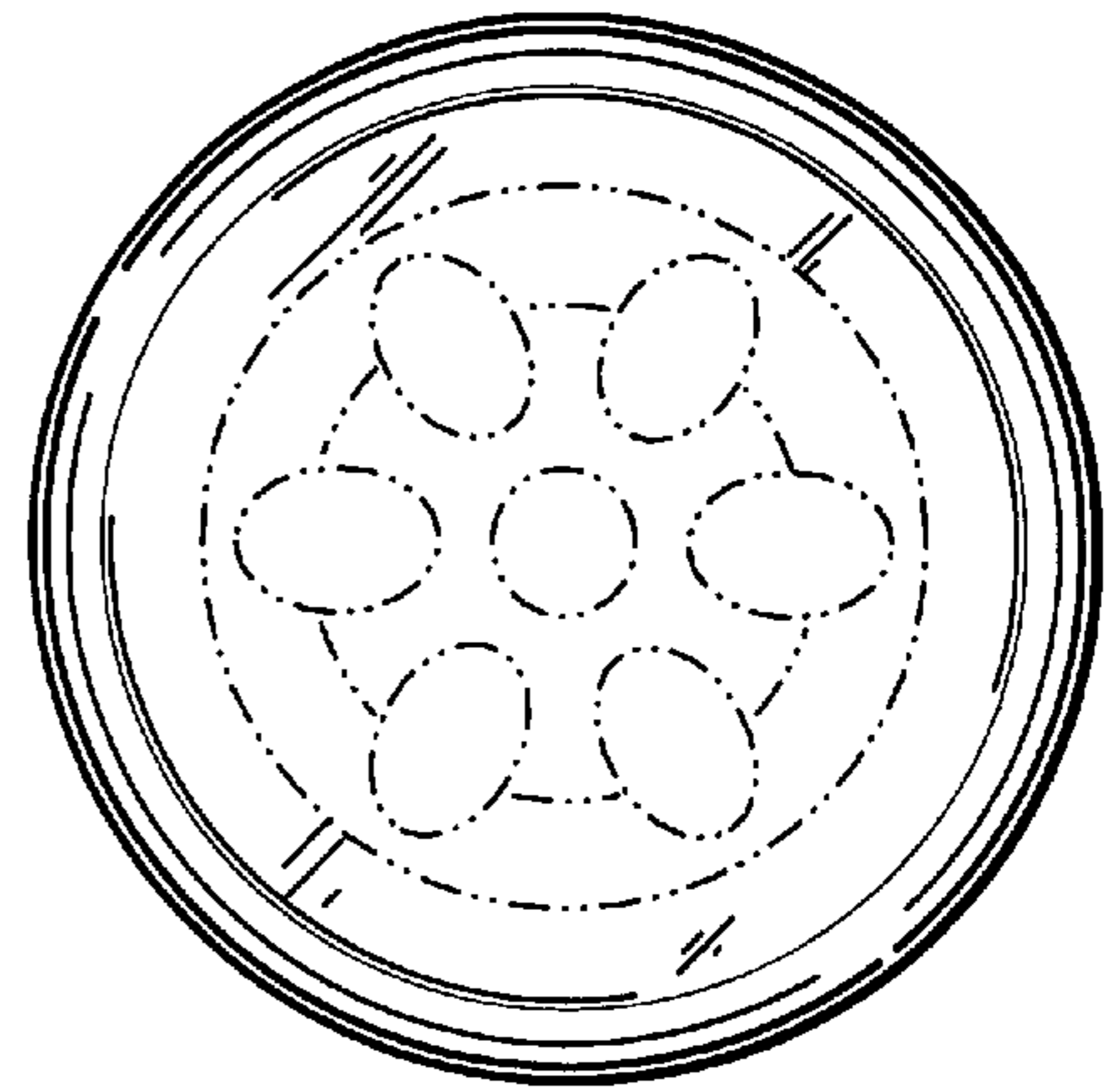


FIG. 2

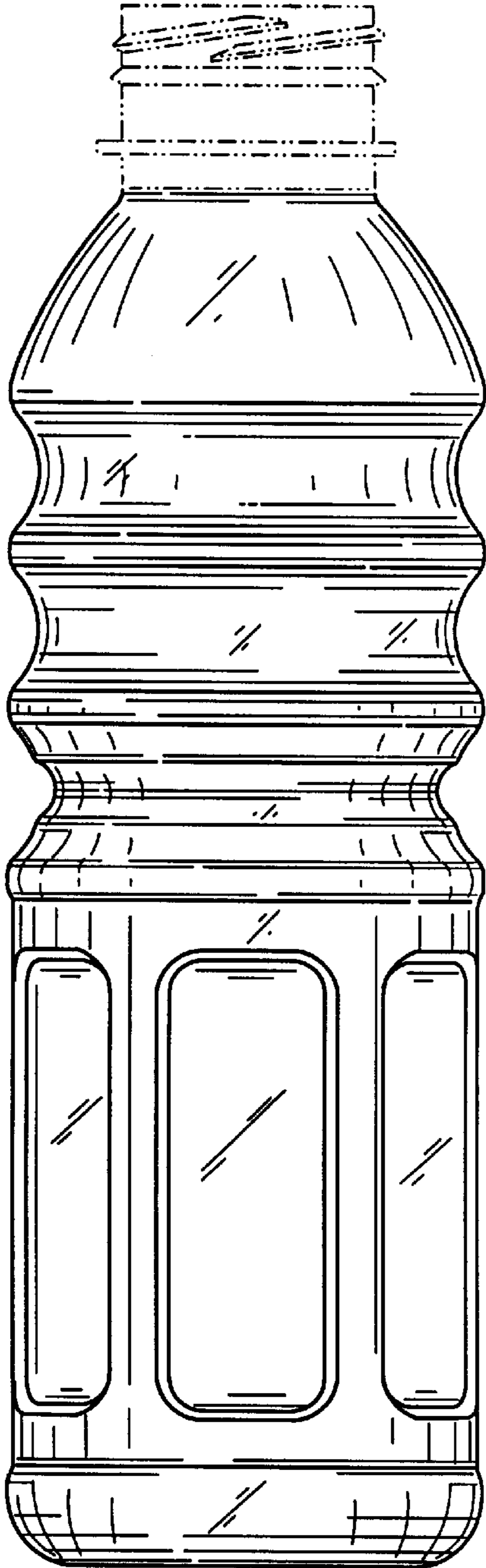


FIG. 3

