



US00D446115S

(12) **United States Design Patent**  
**Merrell et al.**

(10) **Patent No.:** **US D446,115 S**

(45) **Date of Patent:** **\*\* Aug. 7, 2001**

(54) **SHOCK PROTECTIVE VACUUM-FORMED PACKAGE FOR DISC DRIVES**

*Primary Examiner*—Prabhakar Deshmukh  
(74) *Attorney, Agent, or Firm*—Shawn B. Dempster

(75) **Inventors:** **Troy James Merrell**, Longmont; **John Fredrick Hazekamp**, Erie; **Todd Allen Redder**, Longmont, all of CO (US)

(57) **CLAIM**

The ornamental design for a shock protective vacuum-formed package for disc drives, as shown and described.

(73) **Assignee:** **Seagate Technology LLC**, Scotts Valley, CA (US)

**DESCRIPTION**

(\*\*) **Term:** **14 Years**

FIG. 1 is a perspective view of a shock protective vacuum-formed package for disc drives showing our new design, in an open position;

(21) **Appl. No.:** **29/106,580**

FIG. 2 is a top plan view thereof;

(22) **Filed:** **Jun. 17, 1999**

FIG. 3 is a top plan view thereof; in a closed position;

(51) **LOC (7) Cl.** ..... **09-03**

FIG. 4 is a left side elevational view thereof;

(52) **U.S. Cl.** ..... **D9/425**

FIG. 5 is a front elevational view thereof;

(58) **Field of Search** ..... D9/414, 420–426, D9/432, 337; D3/218; 206/305, 307, 307.1, 308.1, 308.2, 521, 589, 592, 832, 724, 714, 509, 594, 711; 220/669, 675

FIG. 6 is a bottom plan view thereof;

FIG. 7 is a right side elevational view thereof;

FIG. 8 is a rear elevational view thereof;

(56) **References Cited**

**U.S. PATENT DOCUMENTS**

D. 332,048	*	12/1992	Pennell	.....	D9/423
D. 365,754	*	1/1996	Plassier	.....	D9/423
D. 375,458	*	11/1996	Drinnen	.....	D9/423
4,003,468	*	1/1977	Berkman	.....	206/307.1
4,681,227	*	7/1987	Tamura et al.	.....	206/594 X
4,874,088	*	10/1989	Leben	.....	206/509 X
5,002,184	*	3/1991	Lloyd	.....	206/523 X
5,341,926	*	8/1994	Leben	.....	206/307
5,543,114	*	8/1996	Dudek	.....	220/839
5,727,688	*	3/1998	Ishii et al.	.....	206/724

FIG. 9 is a perspective view of a second embodiment of FIG. 1, in an open position;

FIG. 10 is a top plan view of FIG. 9;

FIG. 11 is a top plan view of FIG. 9, in a closed position;

FIG. 12 is a left side elevational view of FIG. 11;

FIG. 13 is a front elevational view of FIG. 11;

FIG. 14 is a bottom plan view of FIG. 11;

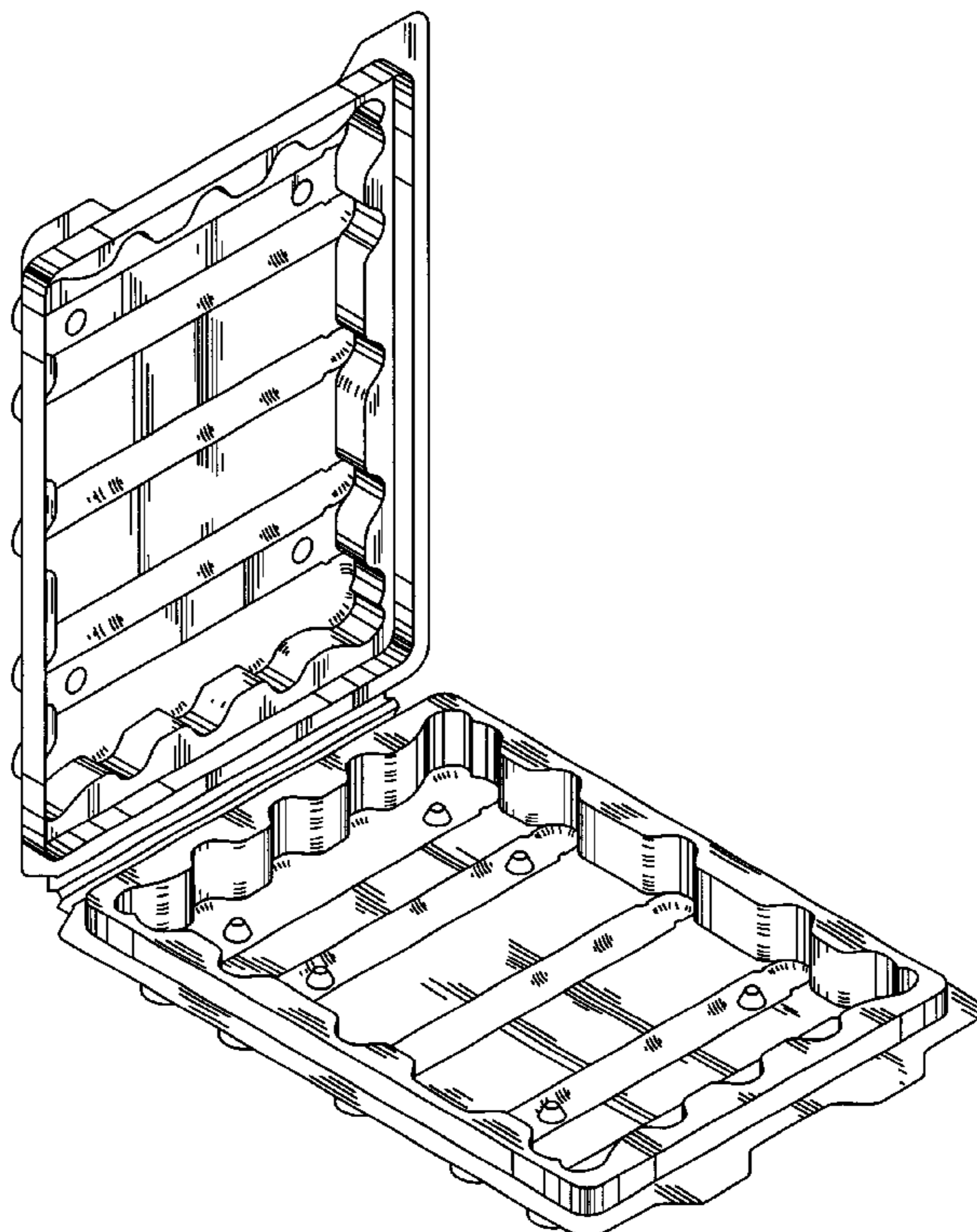
FIG. 15 is a right side elevational view of FIG. 11; and,

FIG. 16 is a rear elevational view of FIG. 11.

The broken line showing of indicia and description is for illustrative purpose only and forms no part of the claimed design.

\* cited by examiner

**1 Claim, 8 Drawing Sheets**



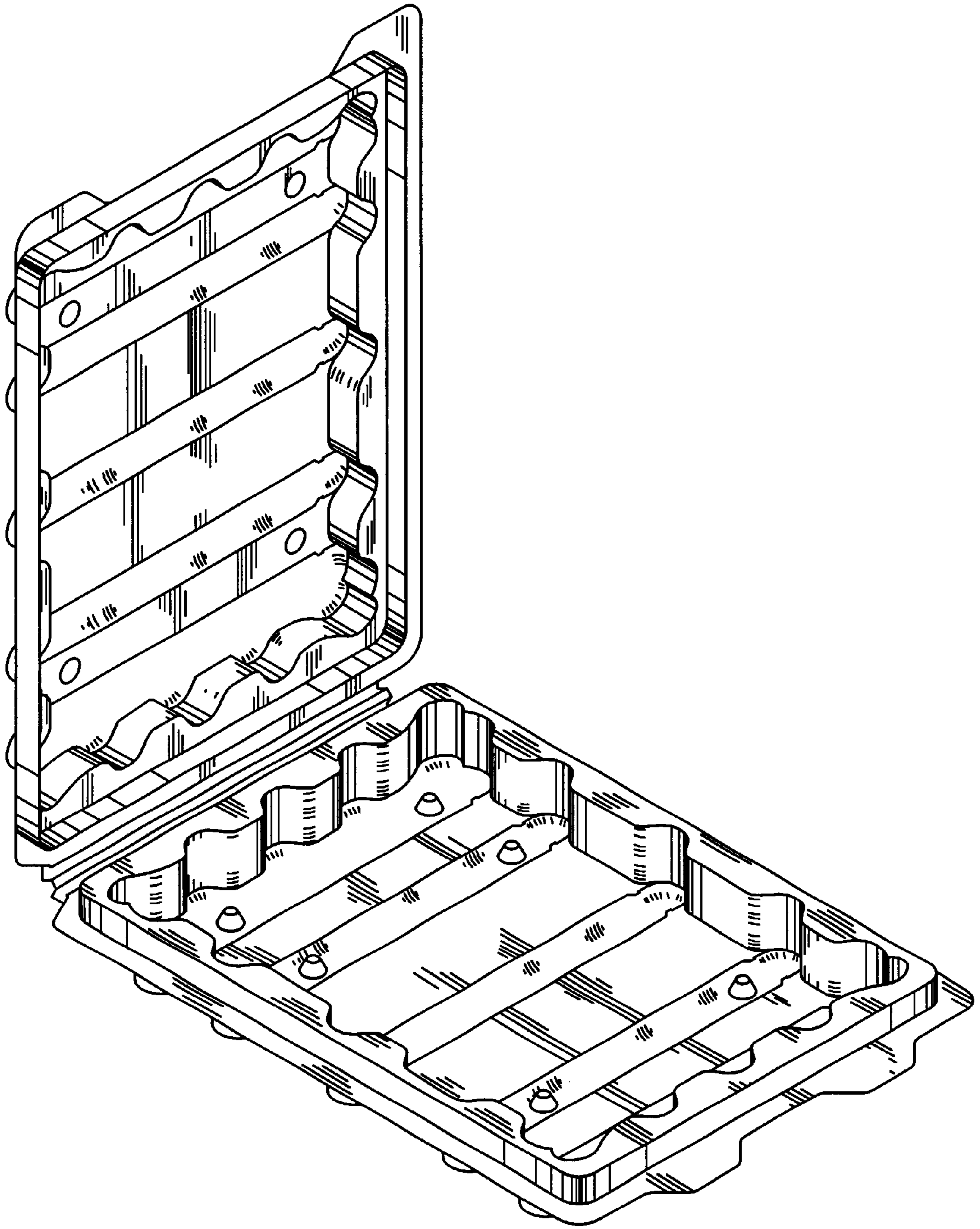


FIG. 1

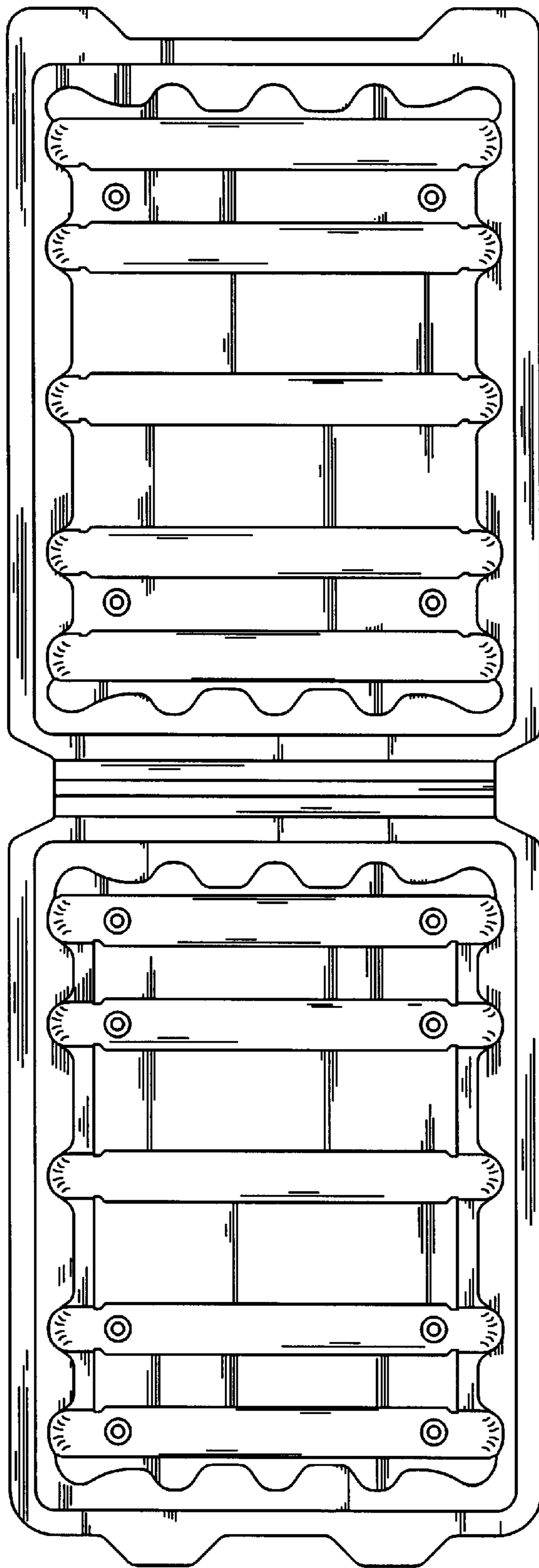


FIG. 2

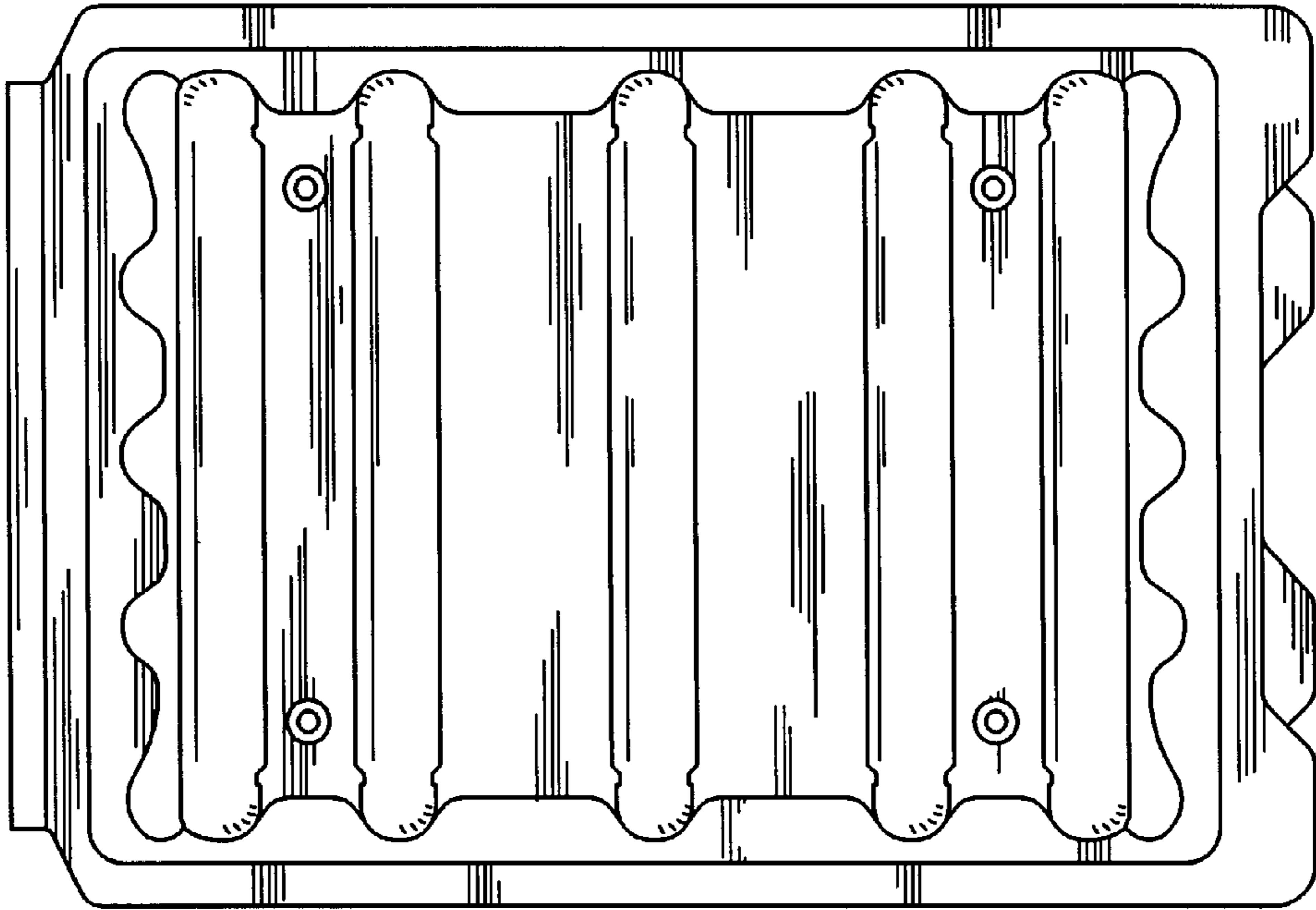


FIG. 3

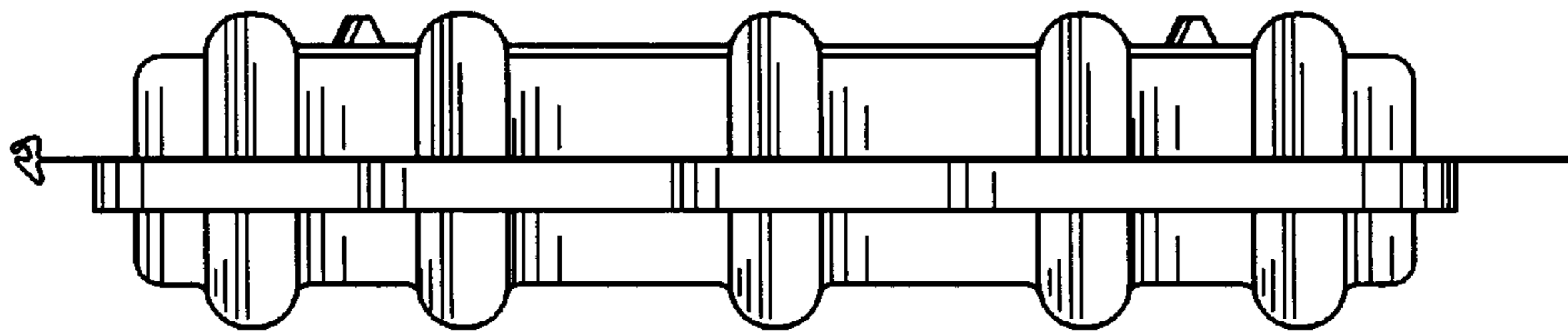


FIG. 4

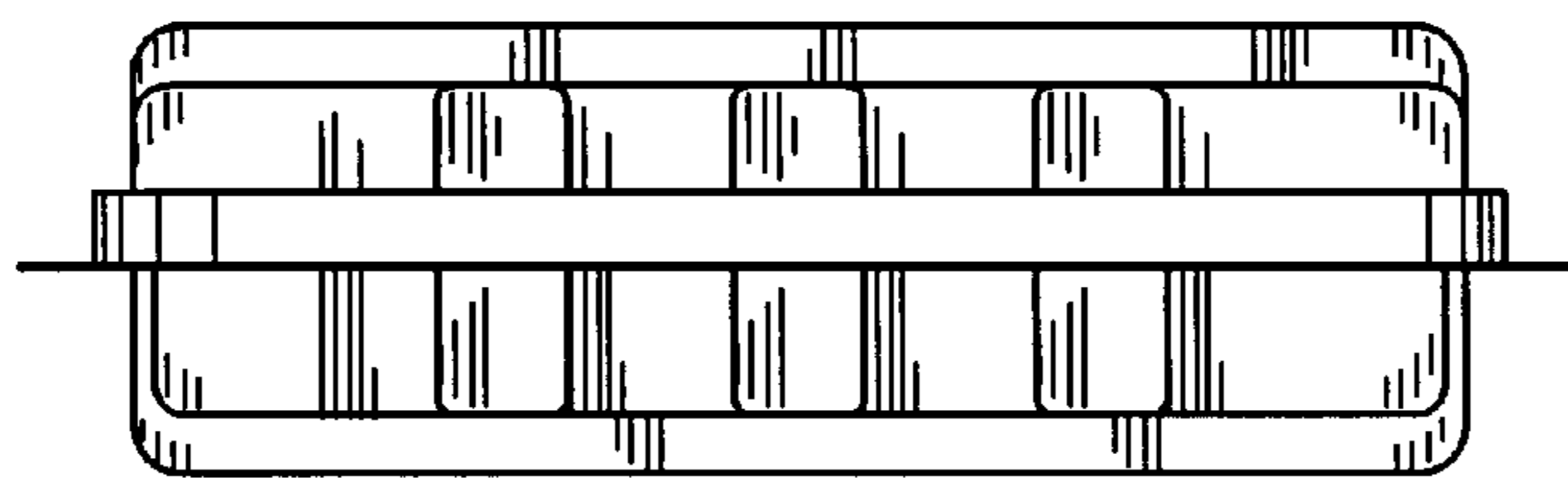


FIG. 5

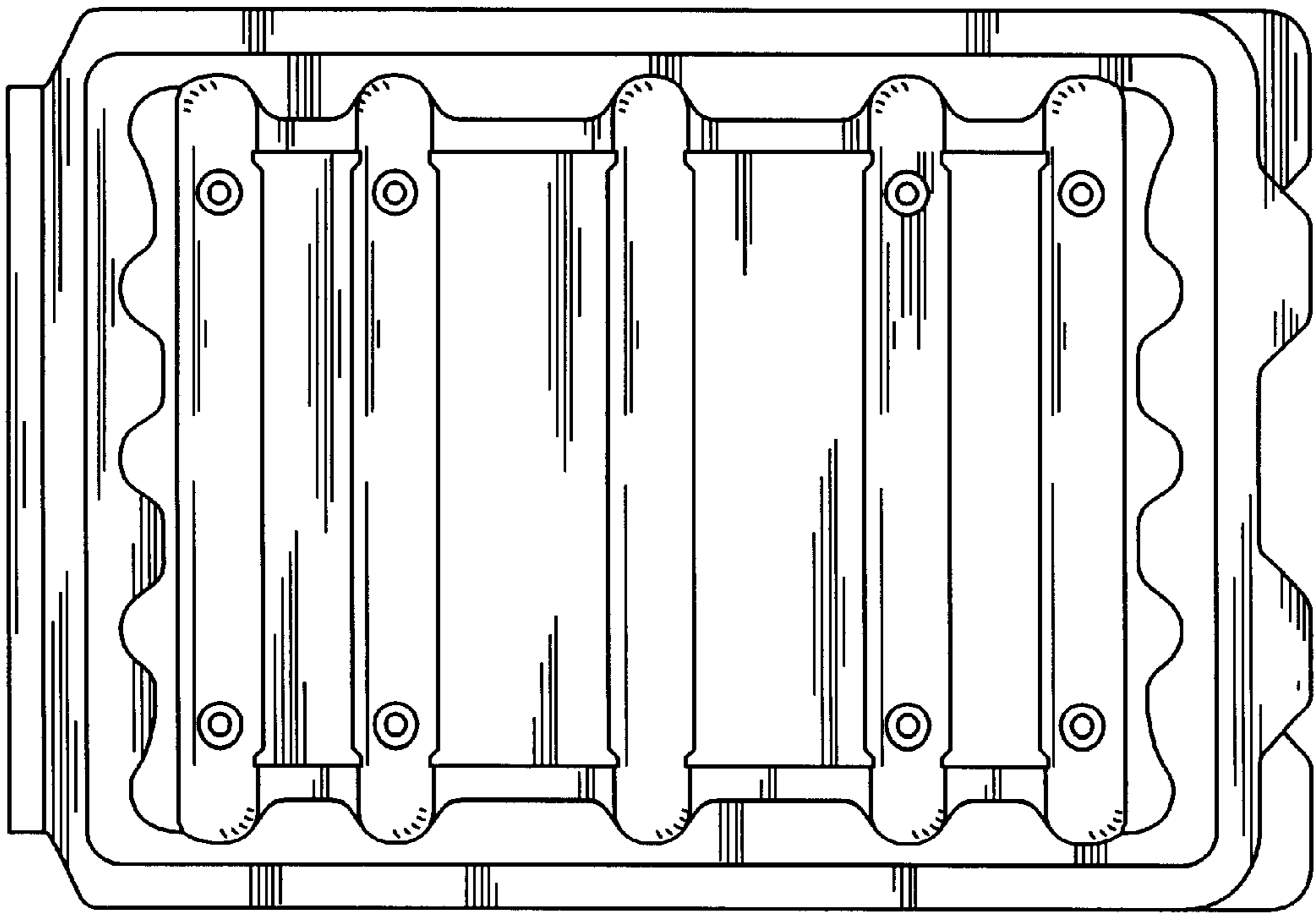


FIG. 6

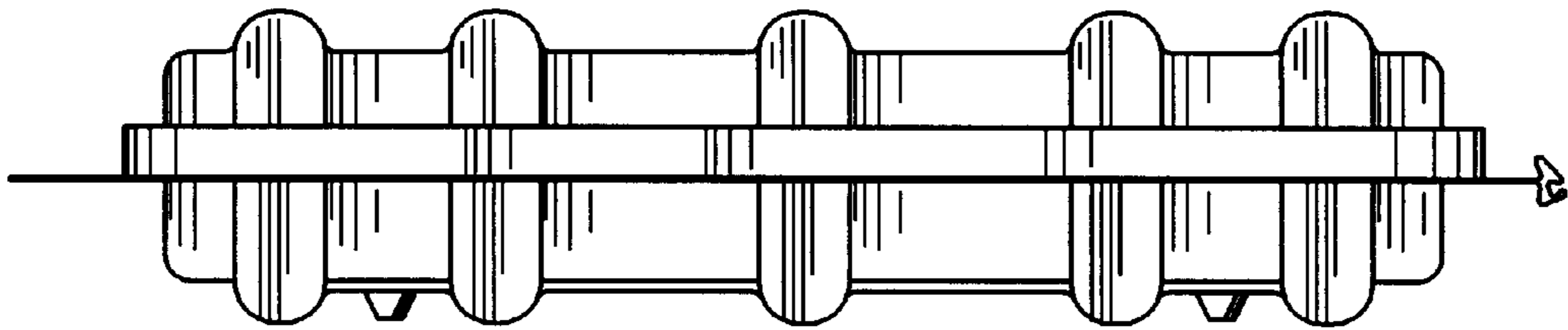


FIG. 7

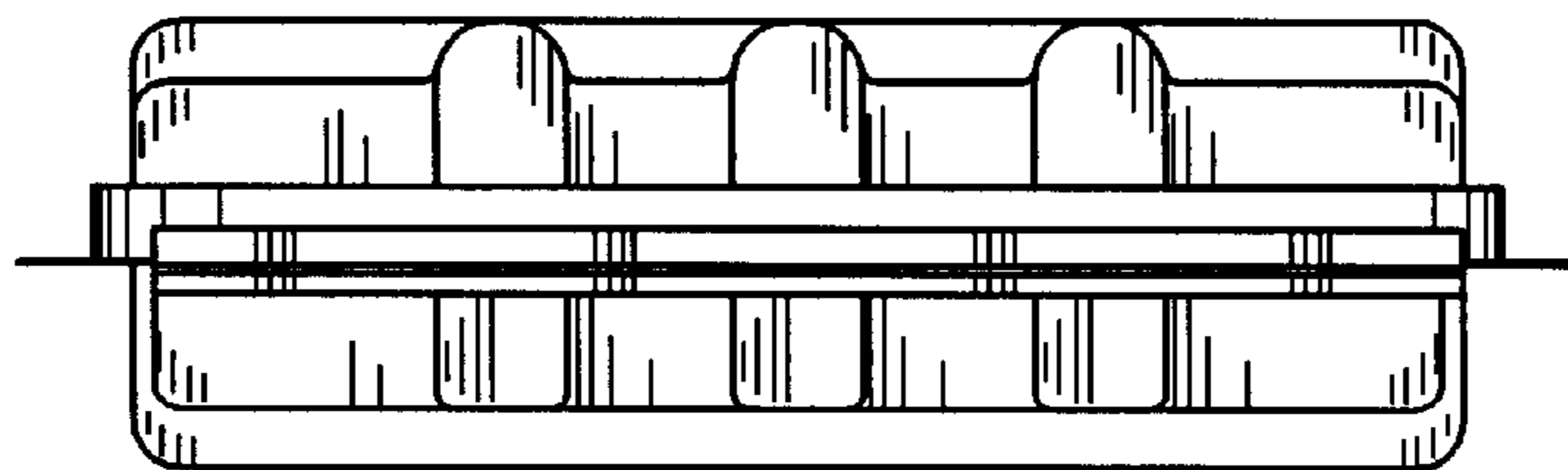


FIG. 8

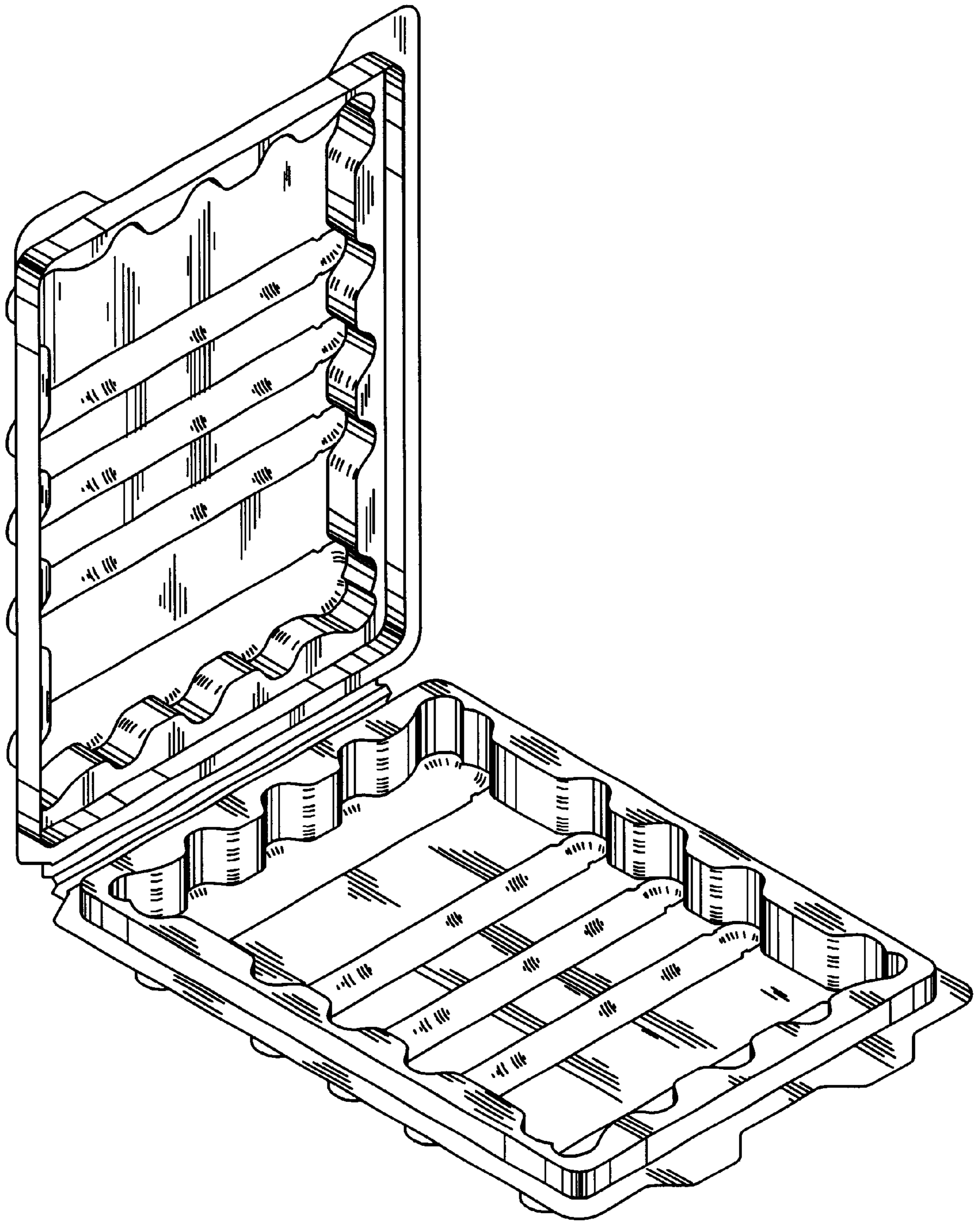


FIG. 9

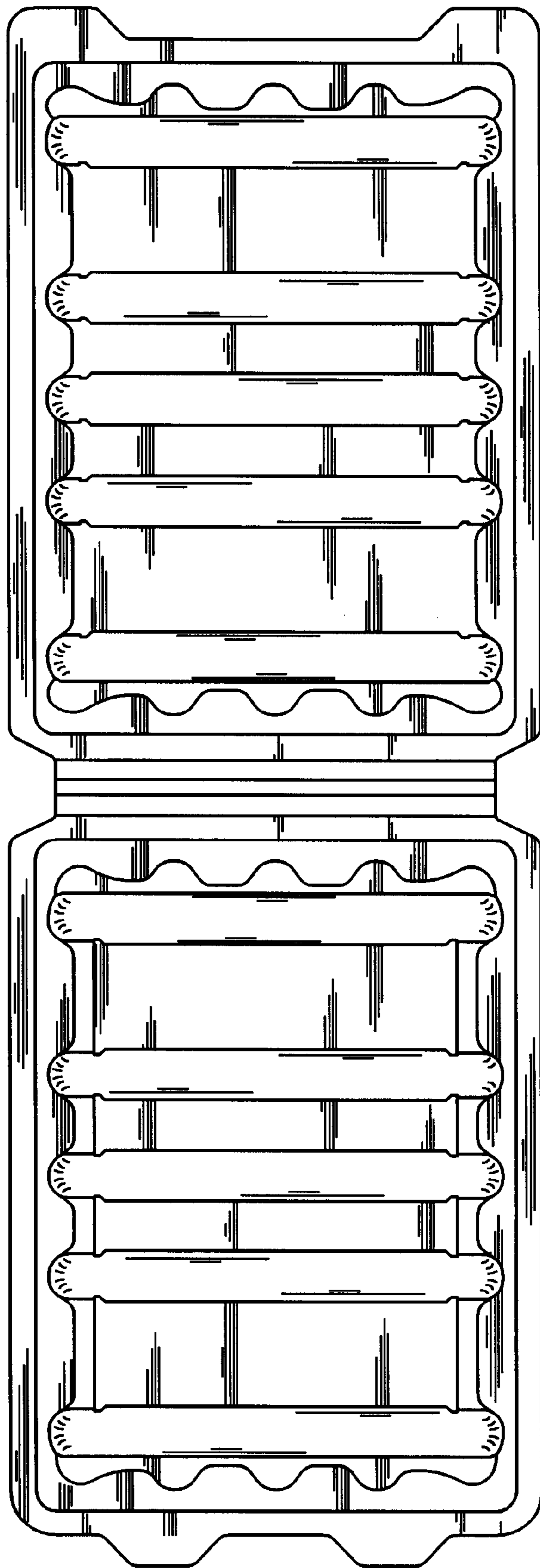


FIG. 10

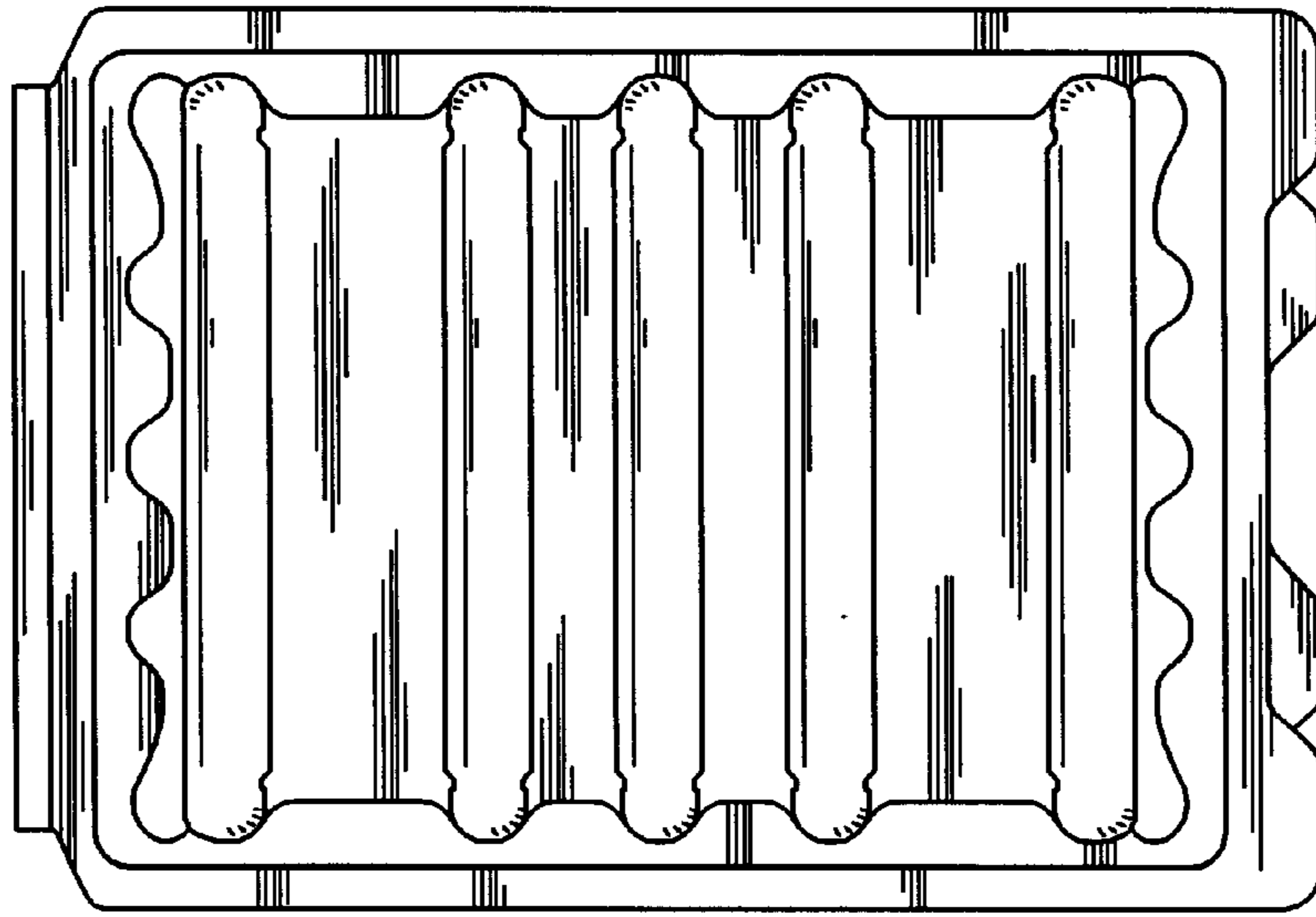


FIG. 11

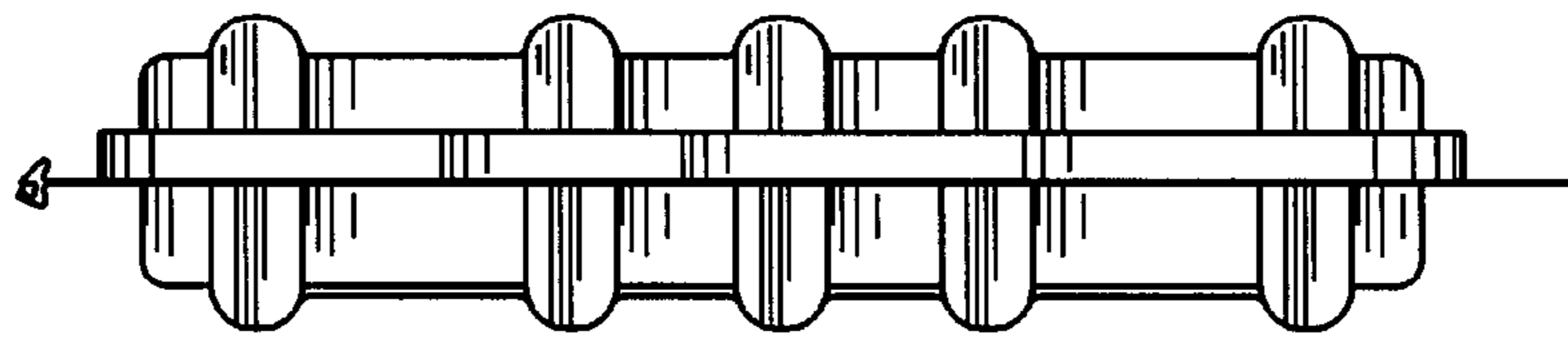


FIG. 12

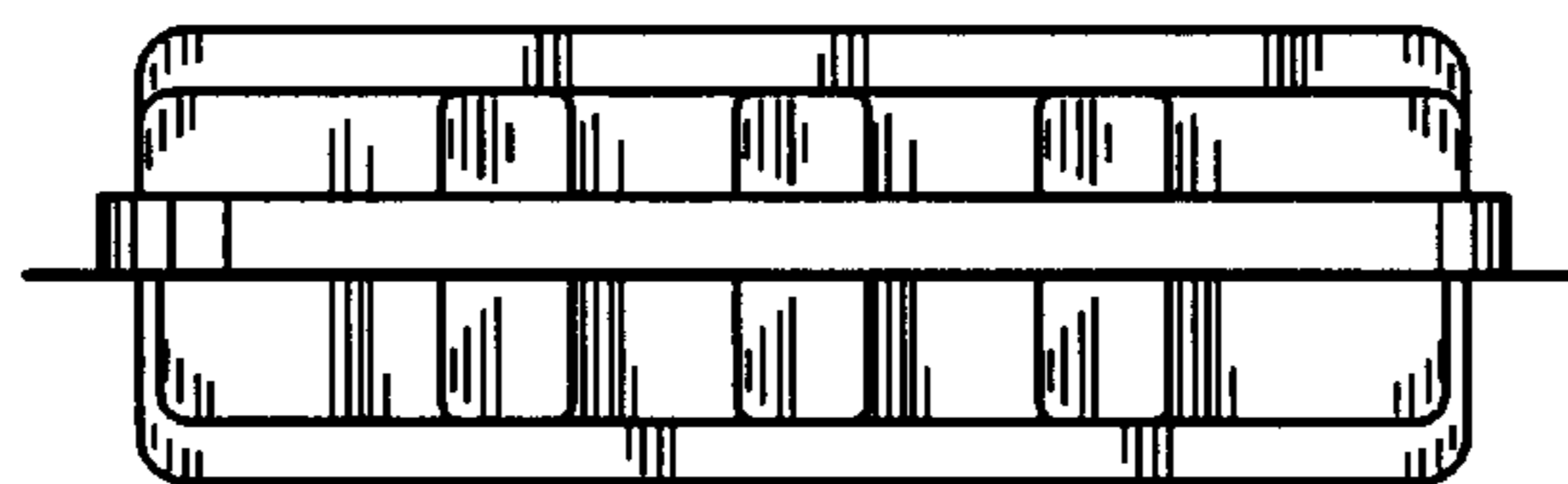


FIG. 13



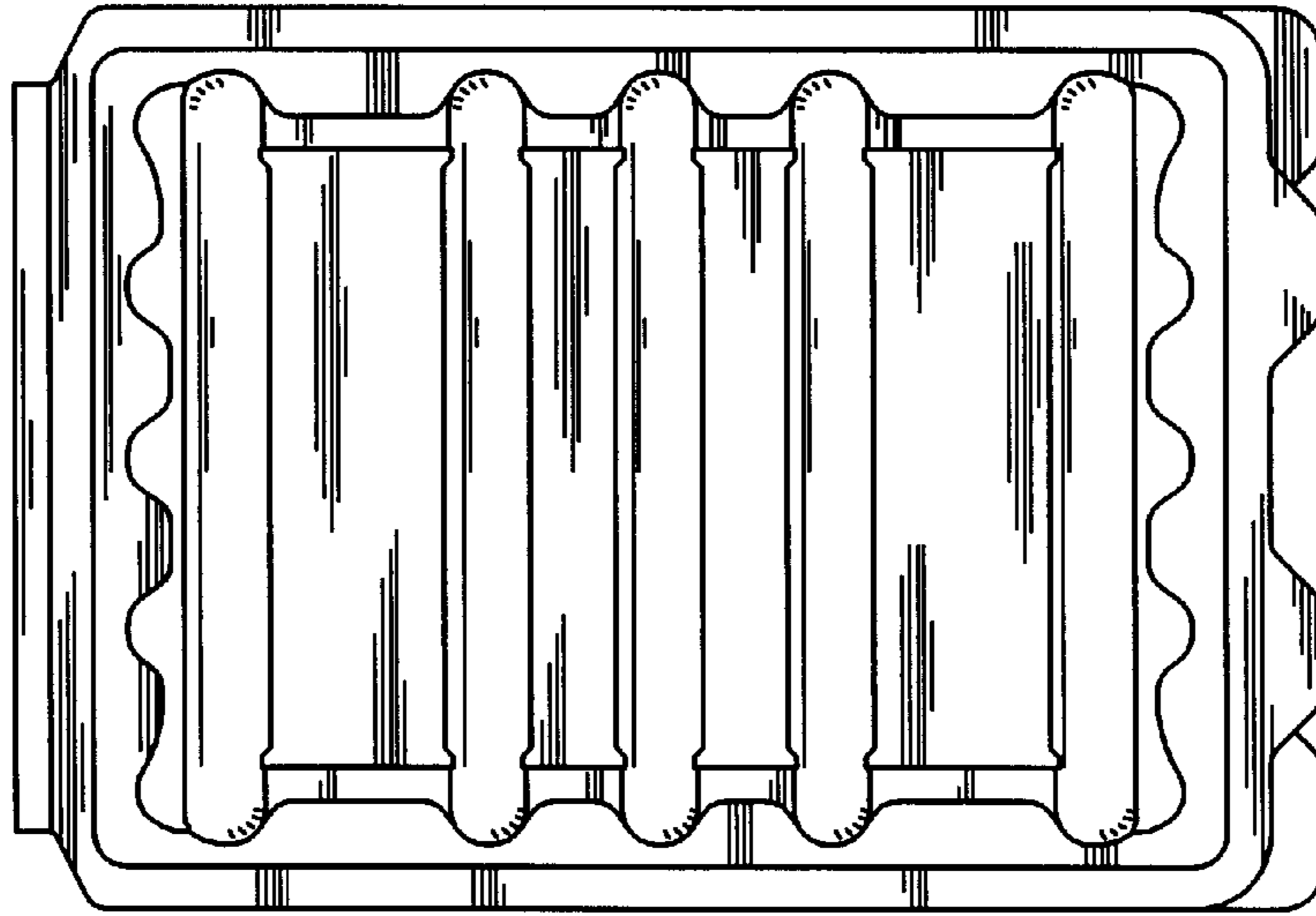


FIG. 14

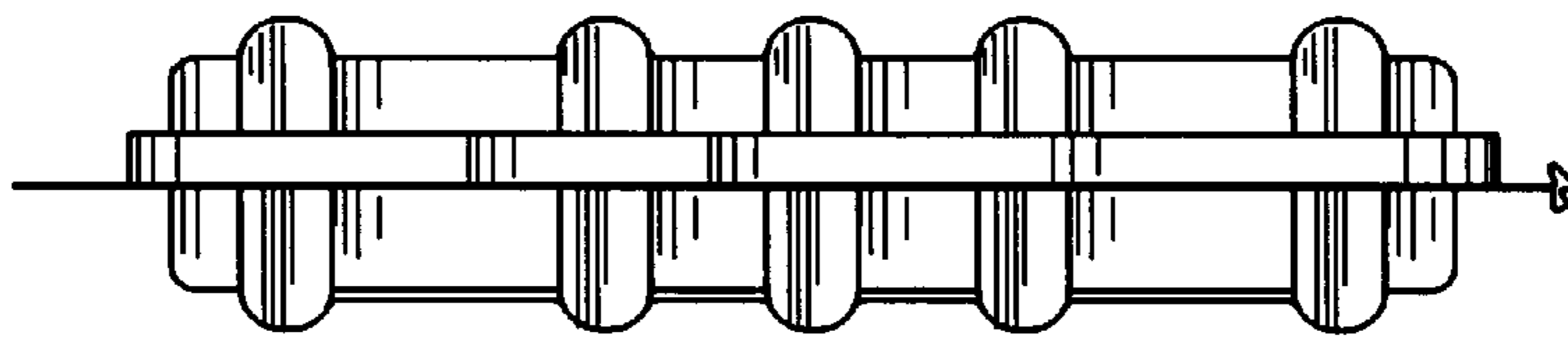


FIG. 15

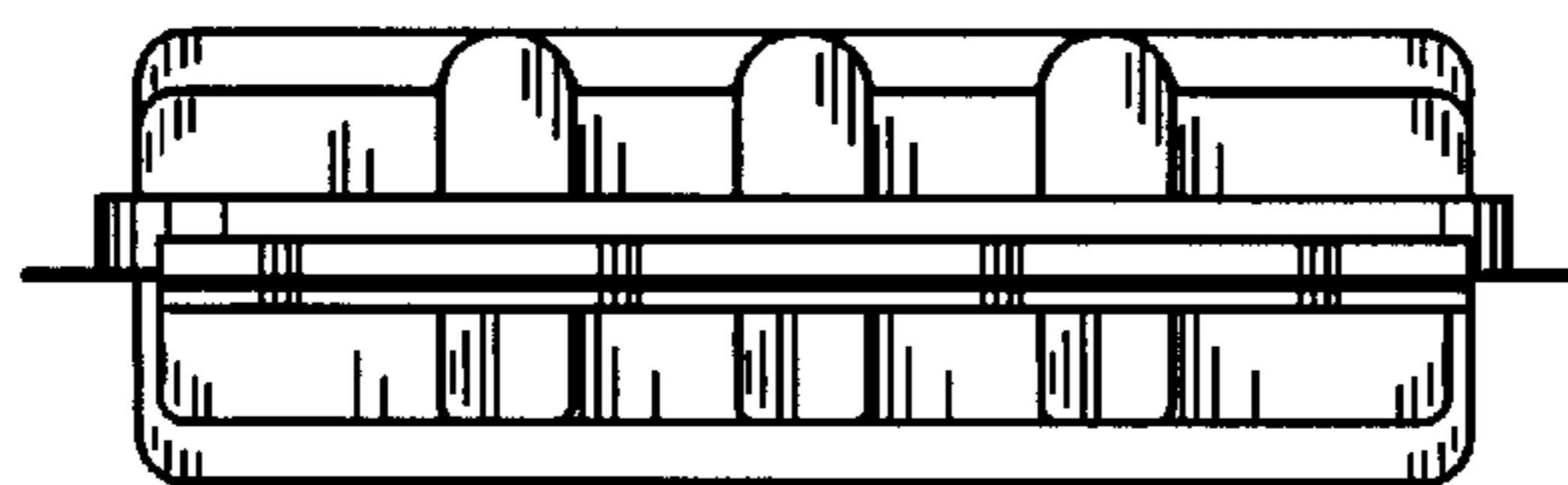


FIG. 16