



US00D446114S

(12) **United States Design Patent**  
**Stephens**

(10) **Patent No.:** **US D446,114 S**

(45) **Date of Patent:** **\*\* Aug. 7, 2001**

(54) **DISPLAY CARTON**

(75) Inventor: **Jerry Ray Stephens**, Hamilton, OH (US)

(73) Assignee: **The Procter & Gamble Company**, Cincinnati, OH (US)

(\*\*) Term: **14 Years**

(21) Appl. No.: **29/135,947**

(22) Filed: **Jan. 22, 2001**

**Related U.S. Application Data**

(63) Continuation-in-part of application No. 29/122,618, filed on May 1, 2000.

(51) **LOC (7) Cl.** ..... **09-03**

(52) **U.S. Cl.** ..... **D9/418; D9/432**

(58) **Field of Search** ..... D9/418, 415, 432, D9/416, 417; 206/769-771, 775-781, 581, 233; 229/162

(56) **References Cited**

**U.S. PATENT DOCUMENTS**

D. 134,733	*	1/1943	Farrel	.....	D9/418
D. 319,185	*	8/1991	Ferrero	.....	D9/451
D. 371,959	*	7/1996	Hupp	.....	D9/418 X
2,085,882		7/1937	Wandel	.	
2,638,210	*	5/1953	Sparks	.....	206/777
2,700,456	*	1/1955	Gillam	.....	206/777
3,057,466	*	10/1962	Bloner et al.	.....	206/781
3,946,935	*	3/1976	Bonczyk	.....	229/162
4,623,074		11/1986	Dearwester	.	
5,271,552	*	12/1993	McDonnell	.....	229/162
5,687,875		11/1997	Watts et al.	.	

**OTHER PUBLICATIONS**

Package for Swiffer Sweeper and Disposable Cloths, marketed by The Procter & Gamble Company no date.

Package for Pledge Grab-It Sweeper and Cloth, marketed by S.C. Johnson & Sons, Inc. no date.

\* cited by examiner

*Primary Examiner*—Prabhakar Deshmukh

(74) *Attorney, Agent, or Firm*—Julia A. Glazer; Tara M. Rosnell

(57) **CLAIM**

The ornamental design for a display carton, as shown and described.

**DESCRIPTION**

FIG. 1 is a perspective view of a display carton showing my new design;

FIG. 2 is a front elevational view of the carton of FIG. 1.

FIG. 3 is a top plan view of the carton of FIG. 1.

FIG. 4 is a side elevational view of the carton of FIG. 1.

FIG. 5 is a rear elevational view of the carton of FIG. 1.

FIG. 6 is a bottom plan view of the carton of FIG. 1.

FIG. 7 is a perspective view of the display carton of the present invention showing a second embodiment.

FIG. 8 is a front elevational view of the carton of FIG. 7.

FIG. 9 is a top plan view of the carton of FIG. 7.

FIG. 10 is a perspective view of a display carton according to the present invention showing a third embodiment.

FIG. 11 is a front elevational view of the carton of FIG. 10.

FIG. 12 is a top plan view of the carton of FIG. 10.

FIG. 13 is a side elevational view of the carton of FIG. 10.

FIG. 14 is a rear elevational view of the carton of FIG. 10.

FIG. 15 is a bottom plan view of the carton of FIG. 10.

FIG. 16 is a perspective view of the display carton of the present invention showing a fourth embodiment.

FIG. 17 is a front elevational view of the carton of FIG. 16.

FIG. 18 is a top plan view of the carton of FIG. 16.

FIG. 19 is a side elevational view of the carton of FIG. 16.

FIG. 20 is a rear elevational view of the carton of FIG. 16; and,

FIG. 21 is a bottom plan view of the carton of FIG. 16.

In FIGS. 7-9, each discrete window is shown broken away to indicate that each window is of indeterminate length and width. The carton in FIGS. 7-9 is shown broken away to indicate that the carton is of indeterminate length and width.

**1 Claim, 4 Drawing Sheets**

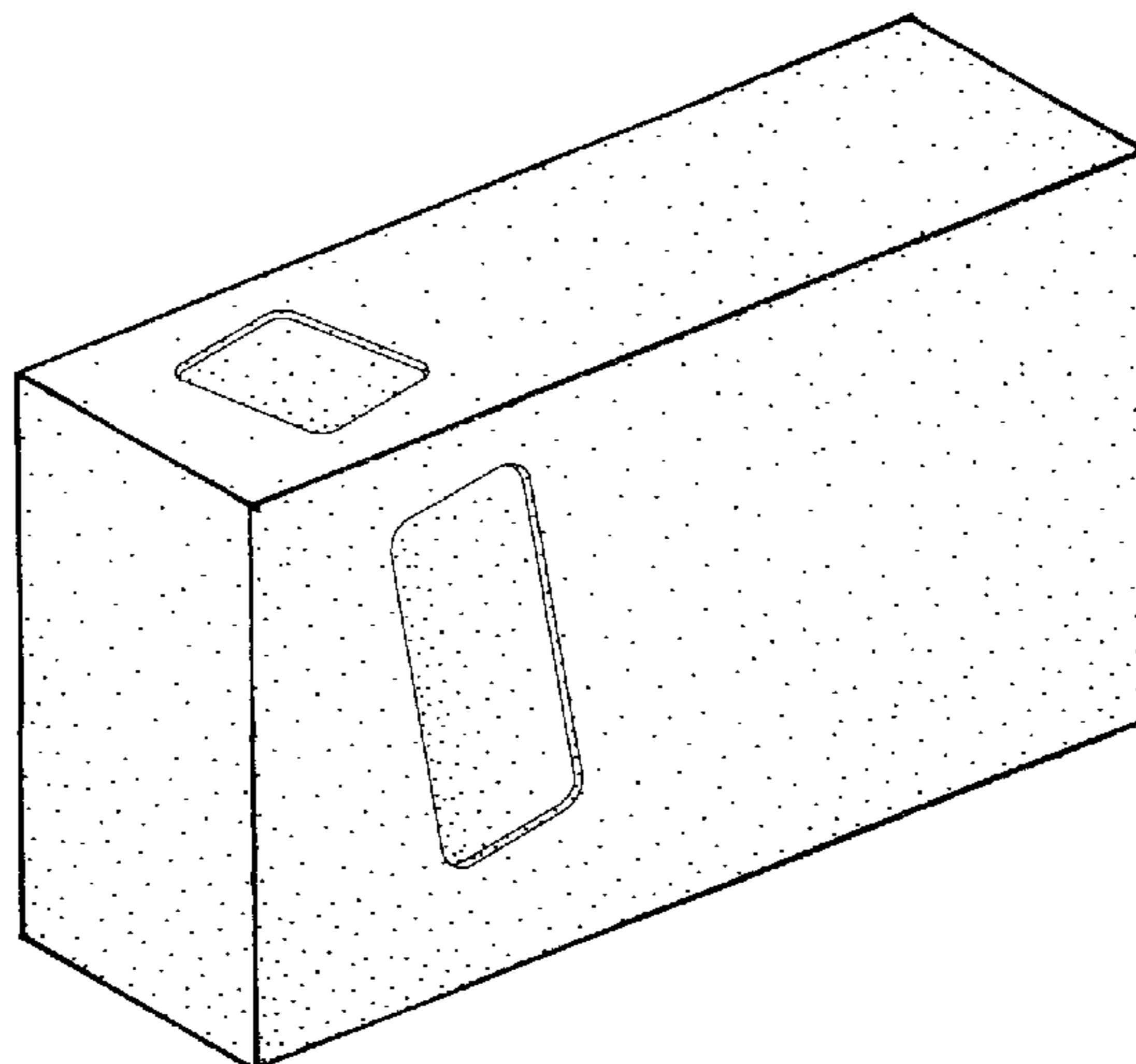


Fig. 1

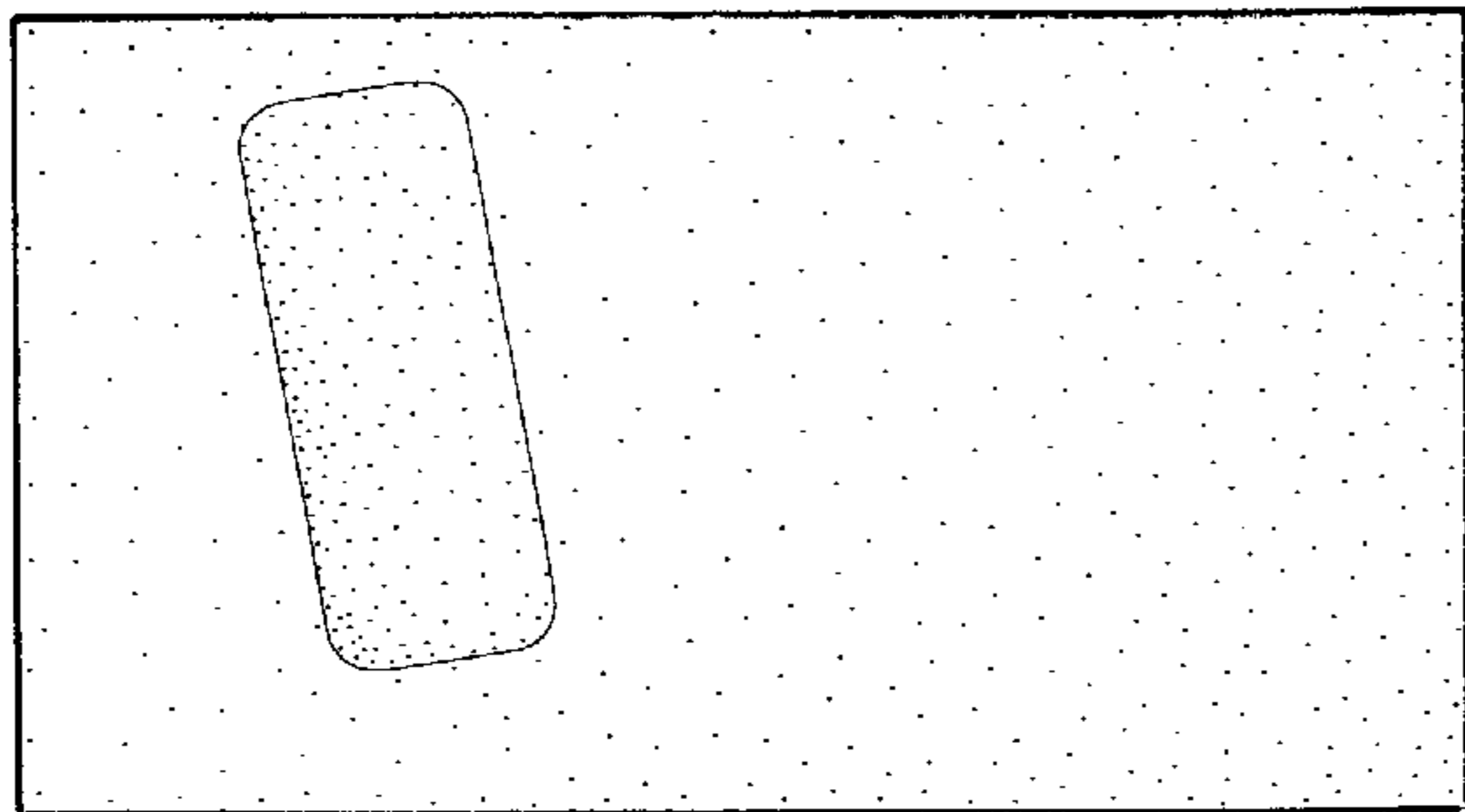
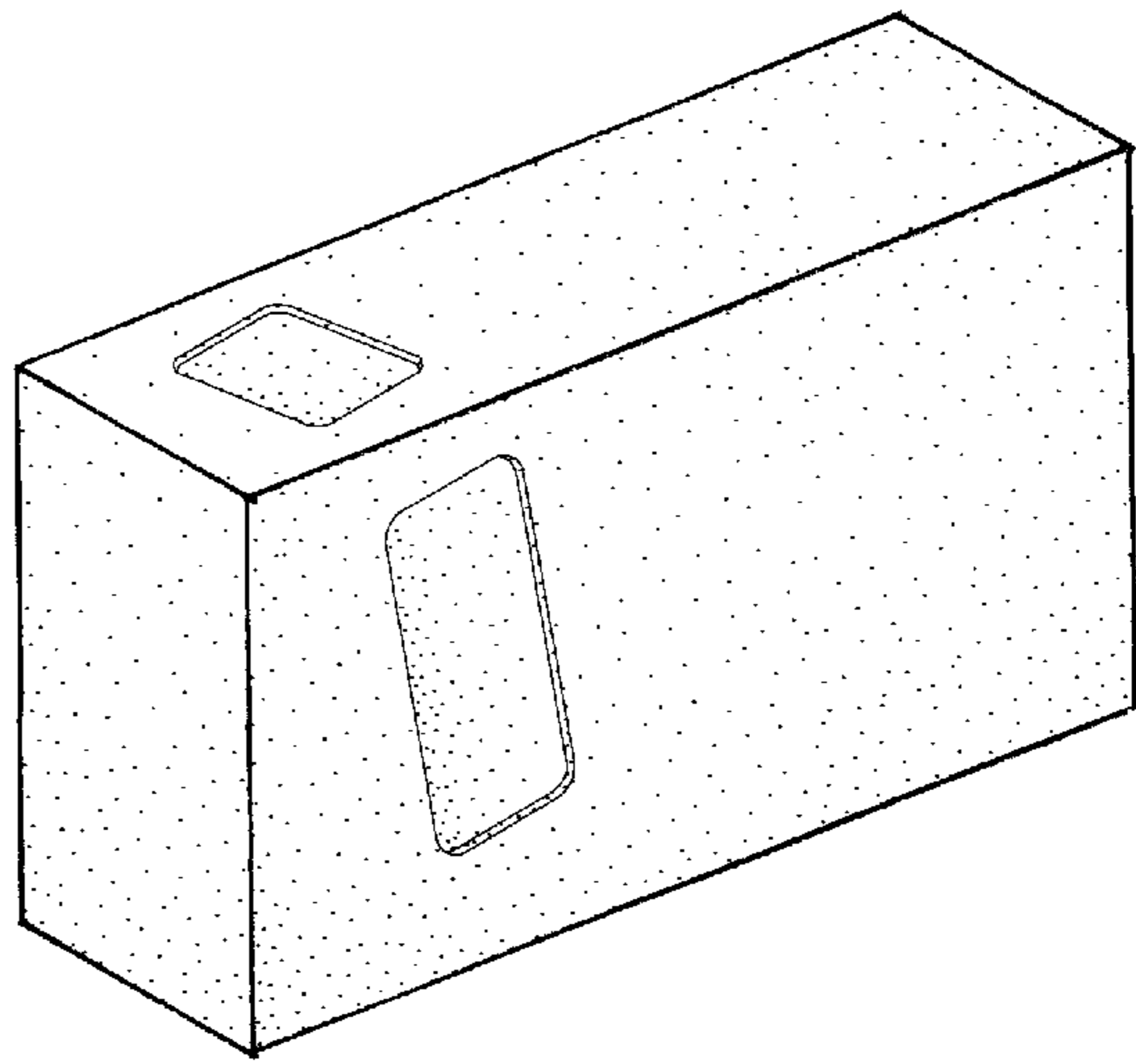


Fig. 2

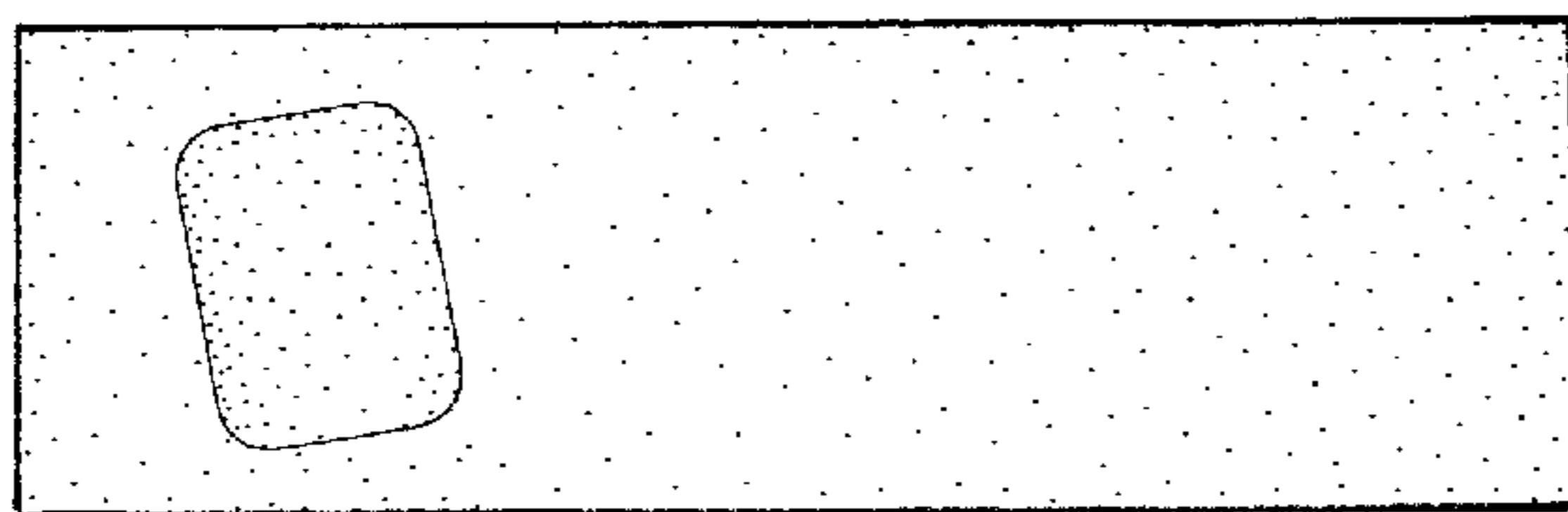


Fig. 3

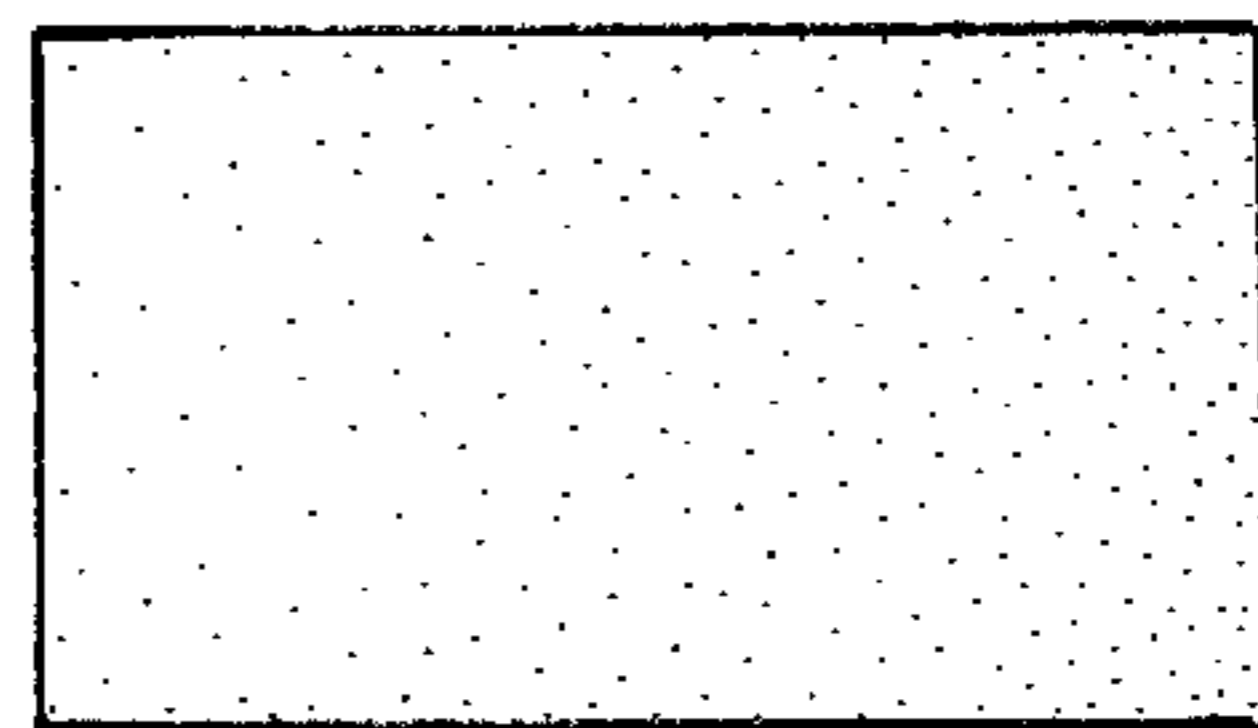


Fig. 4

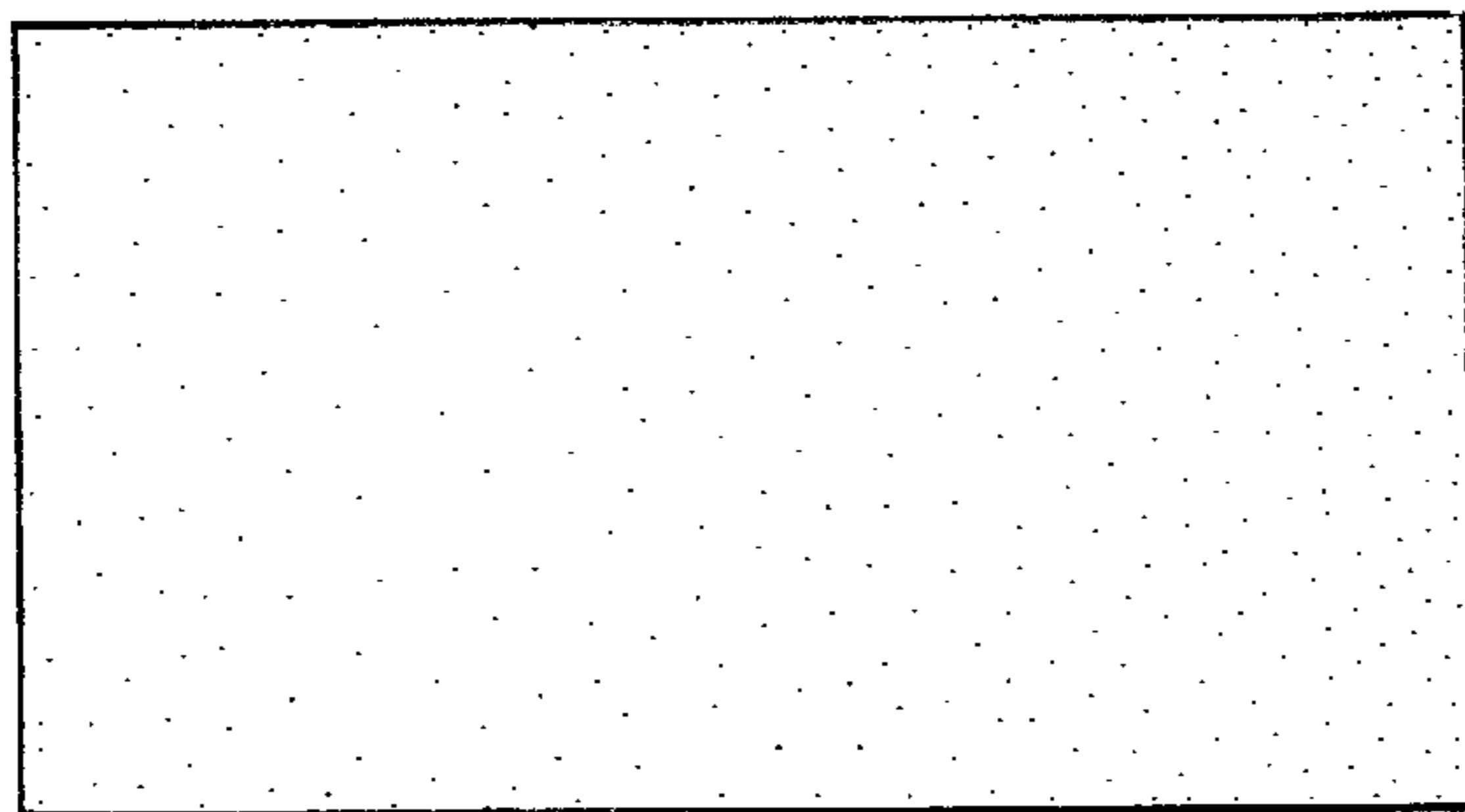


Fig. 5

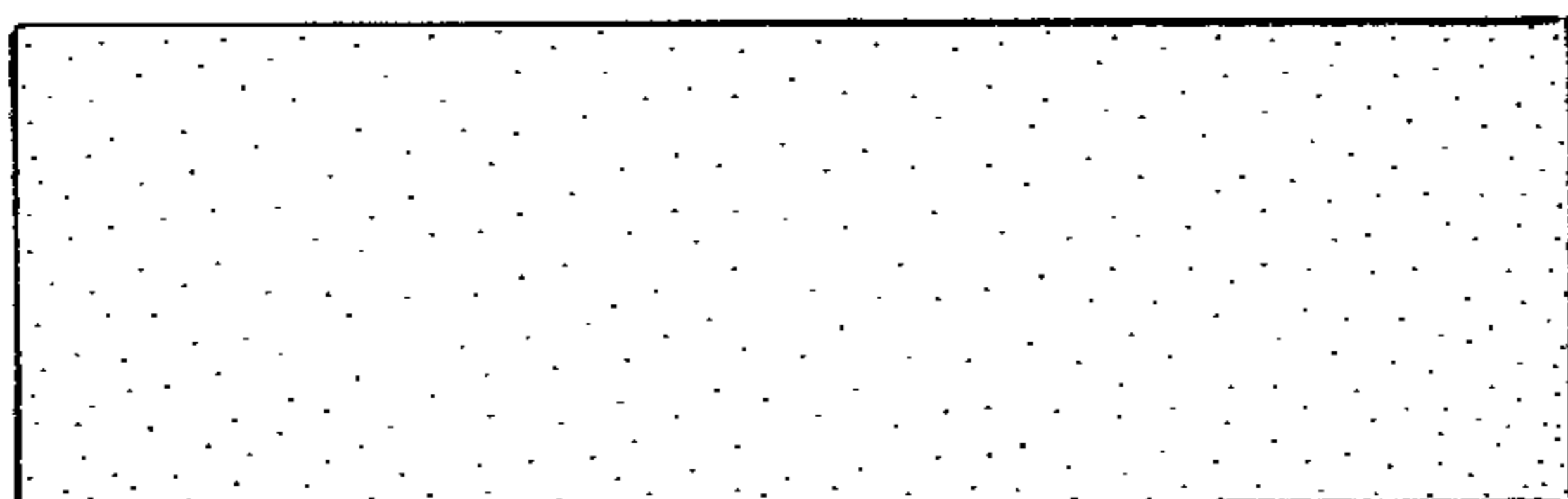


Fig. 6

Fig. 7

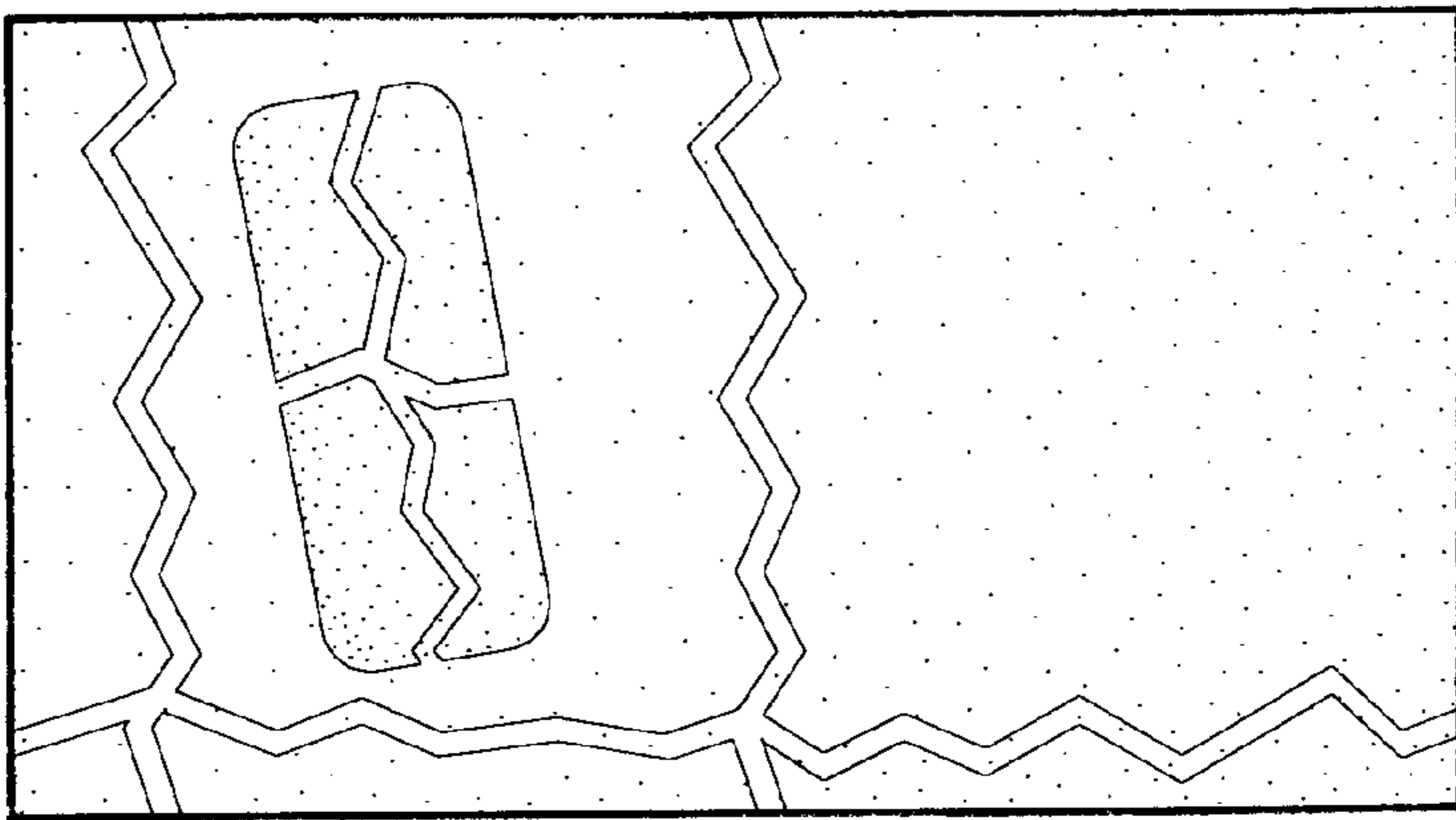
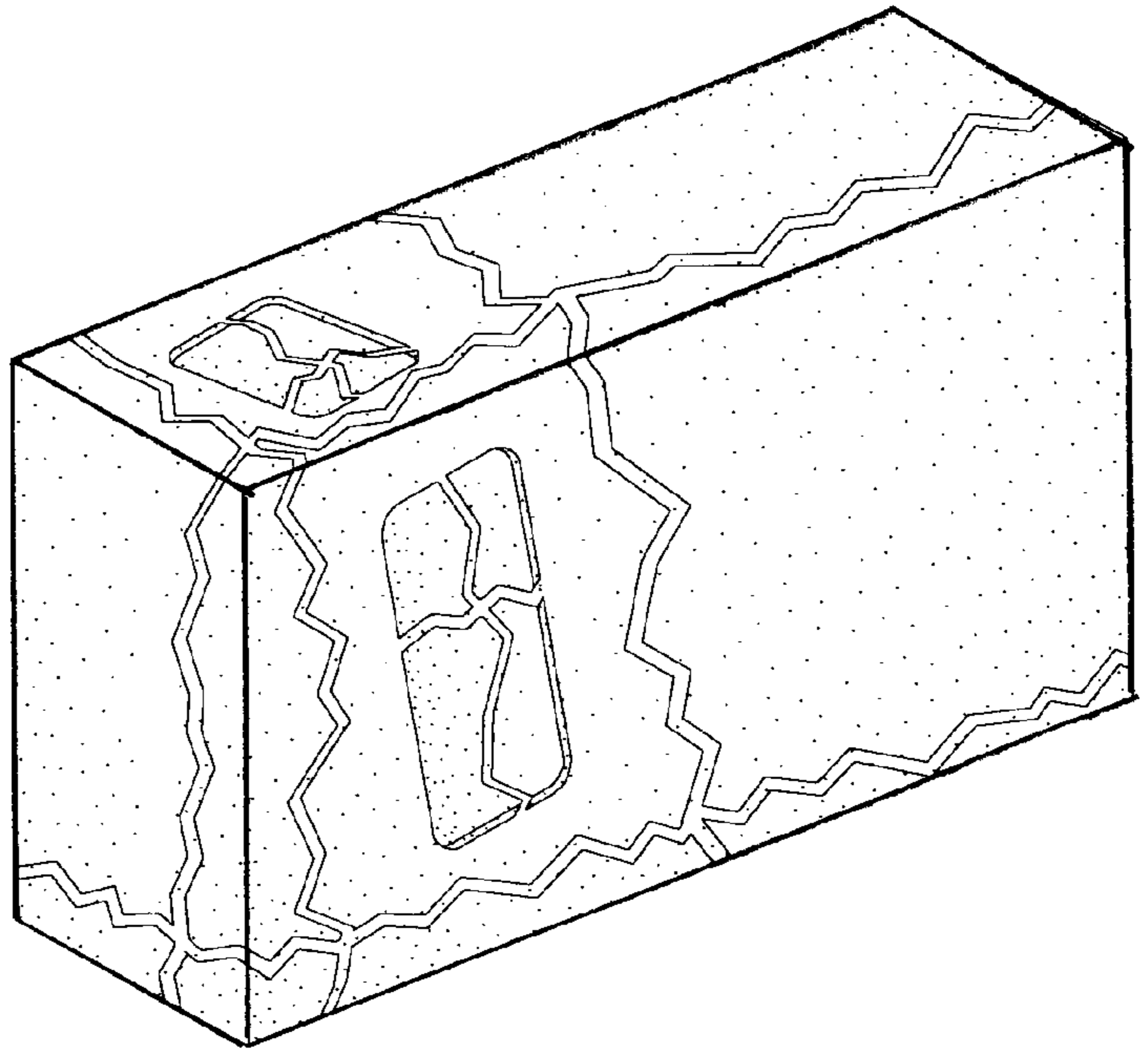


Fig. 8

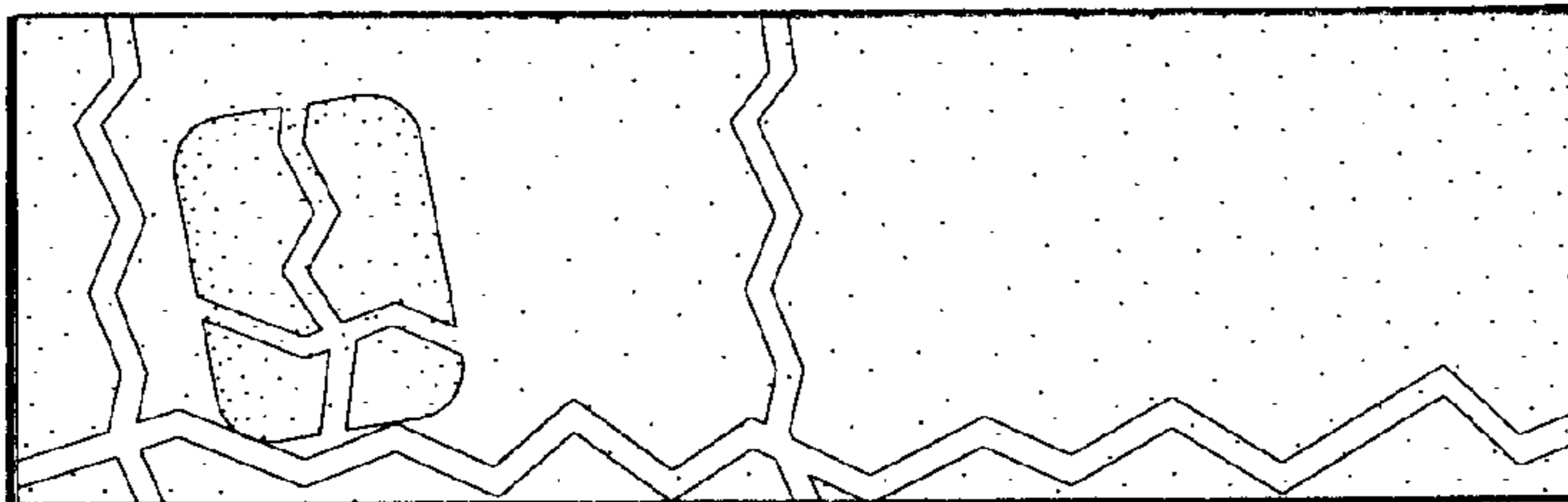


Fig. 9

Fig. 10

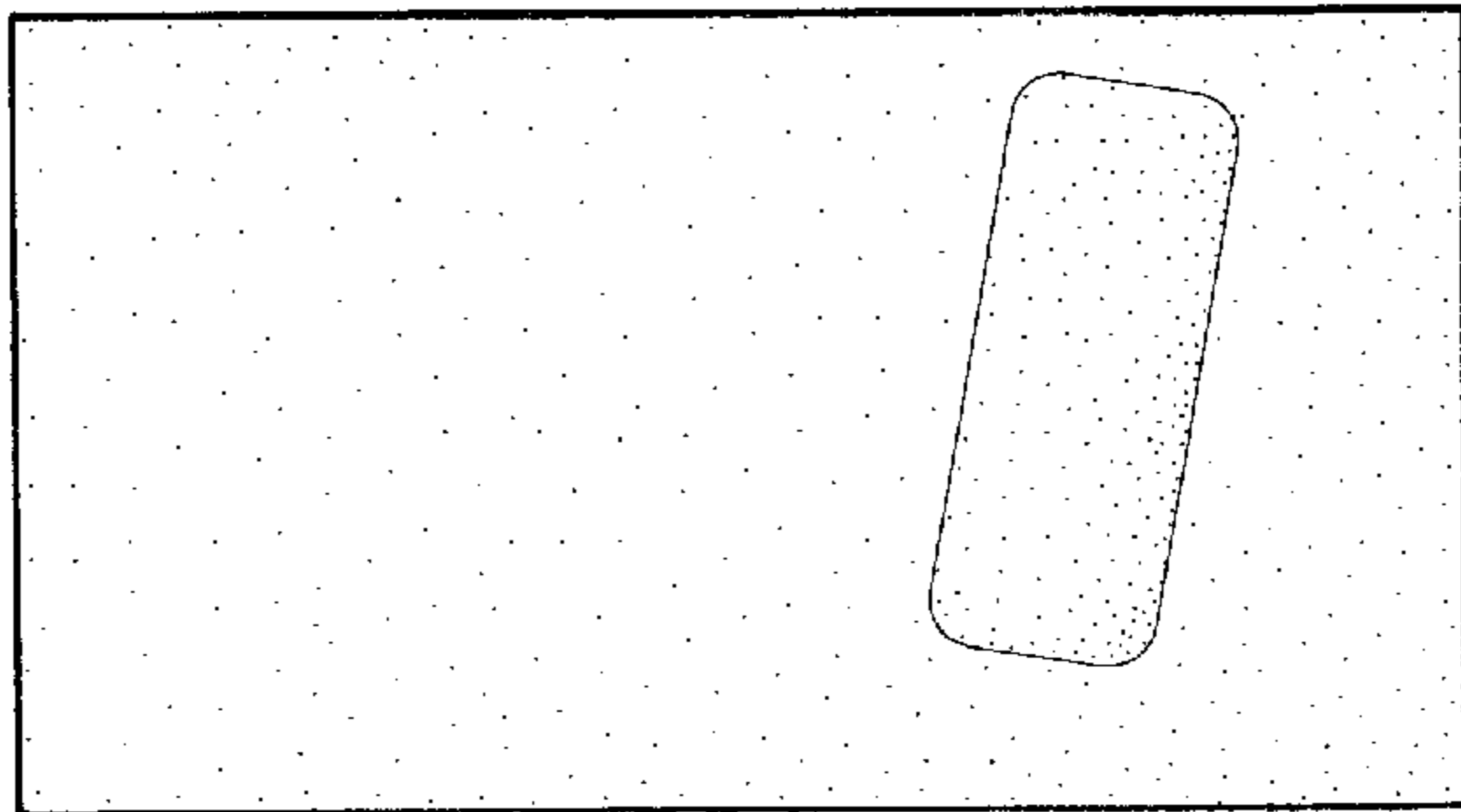
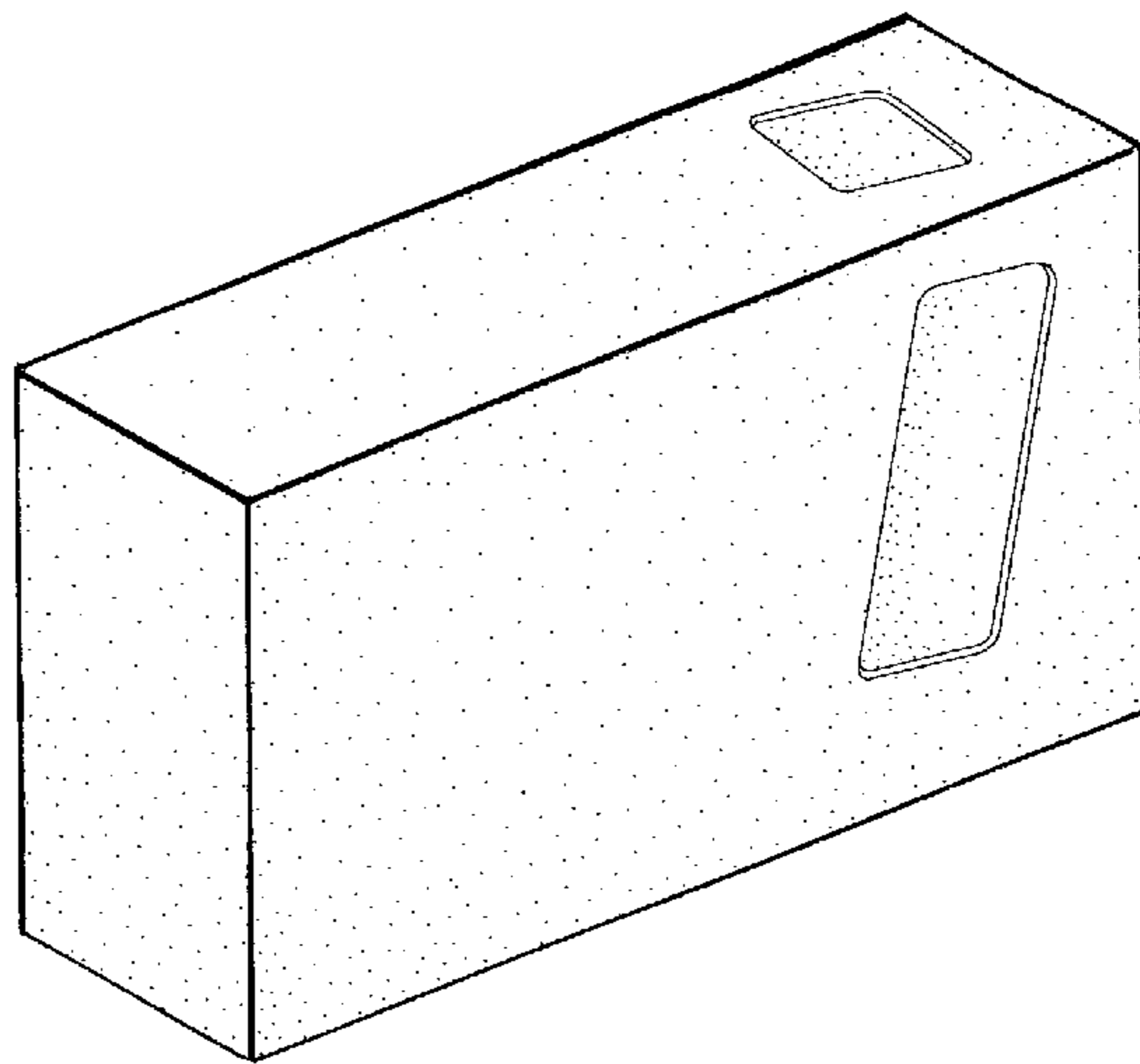


Fig. 11

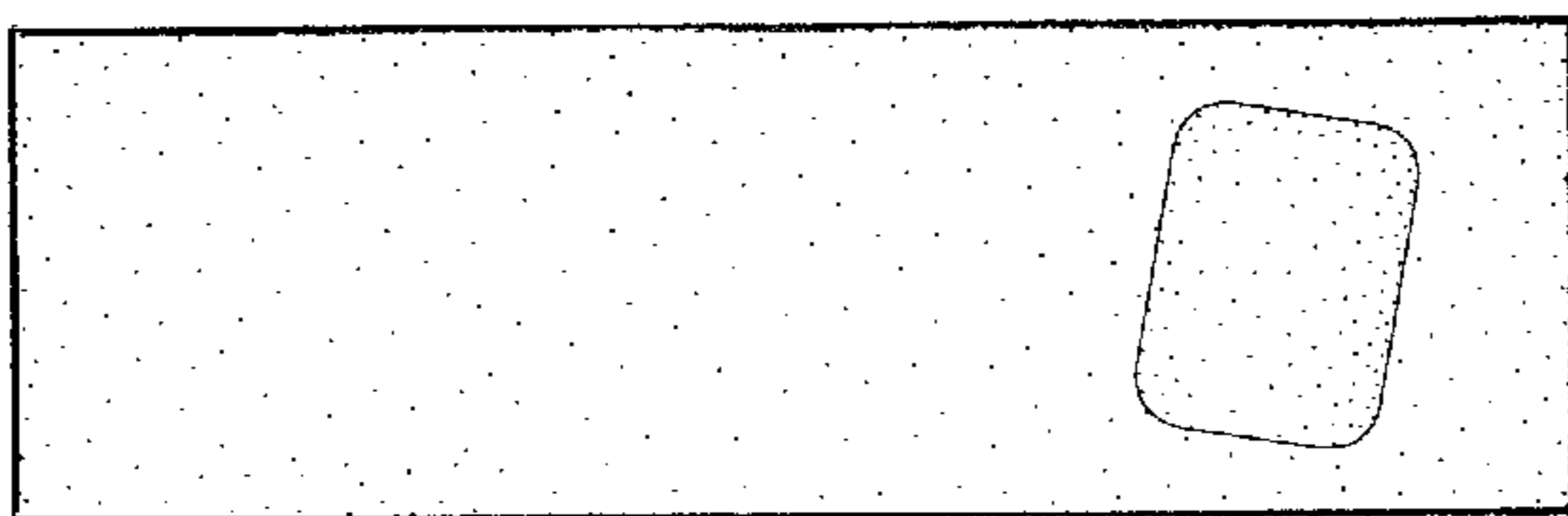


Fig. 12

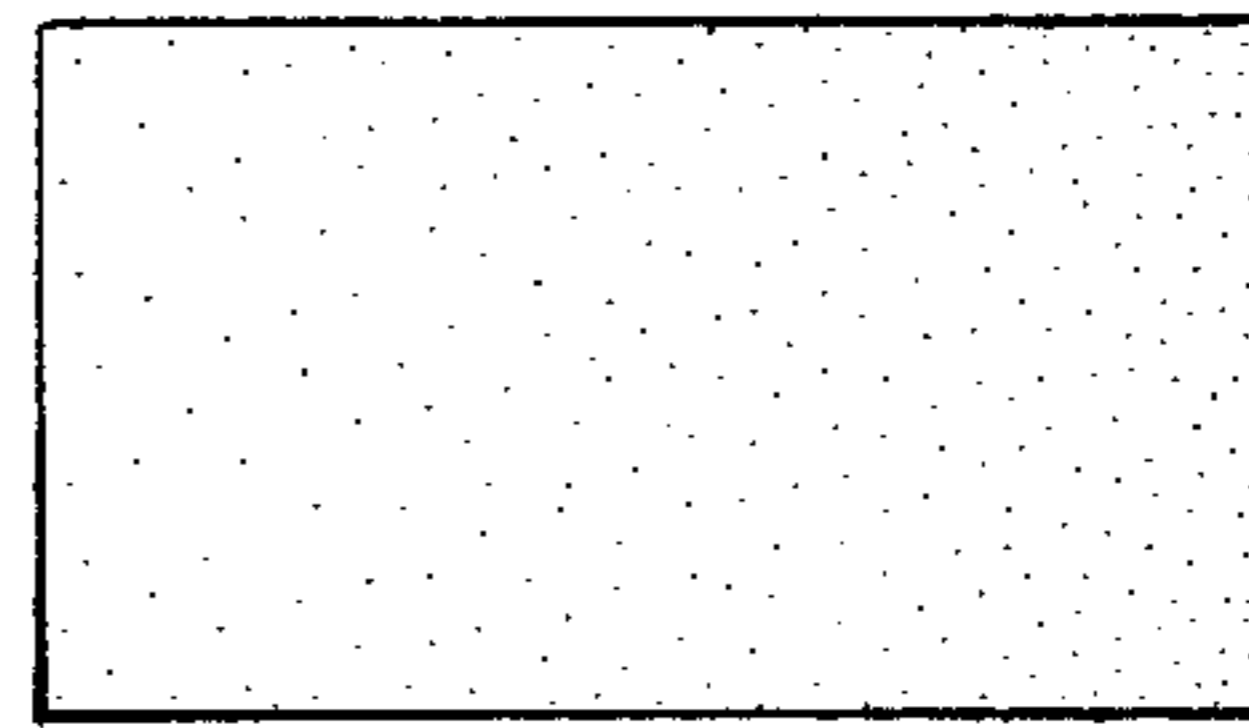


Fig. 13

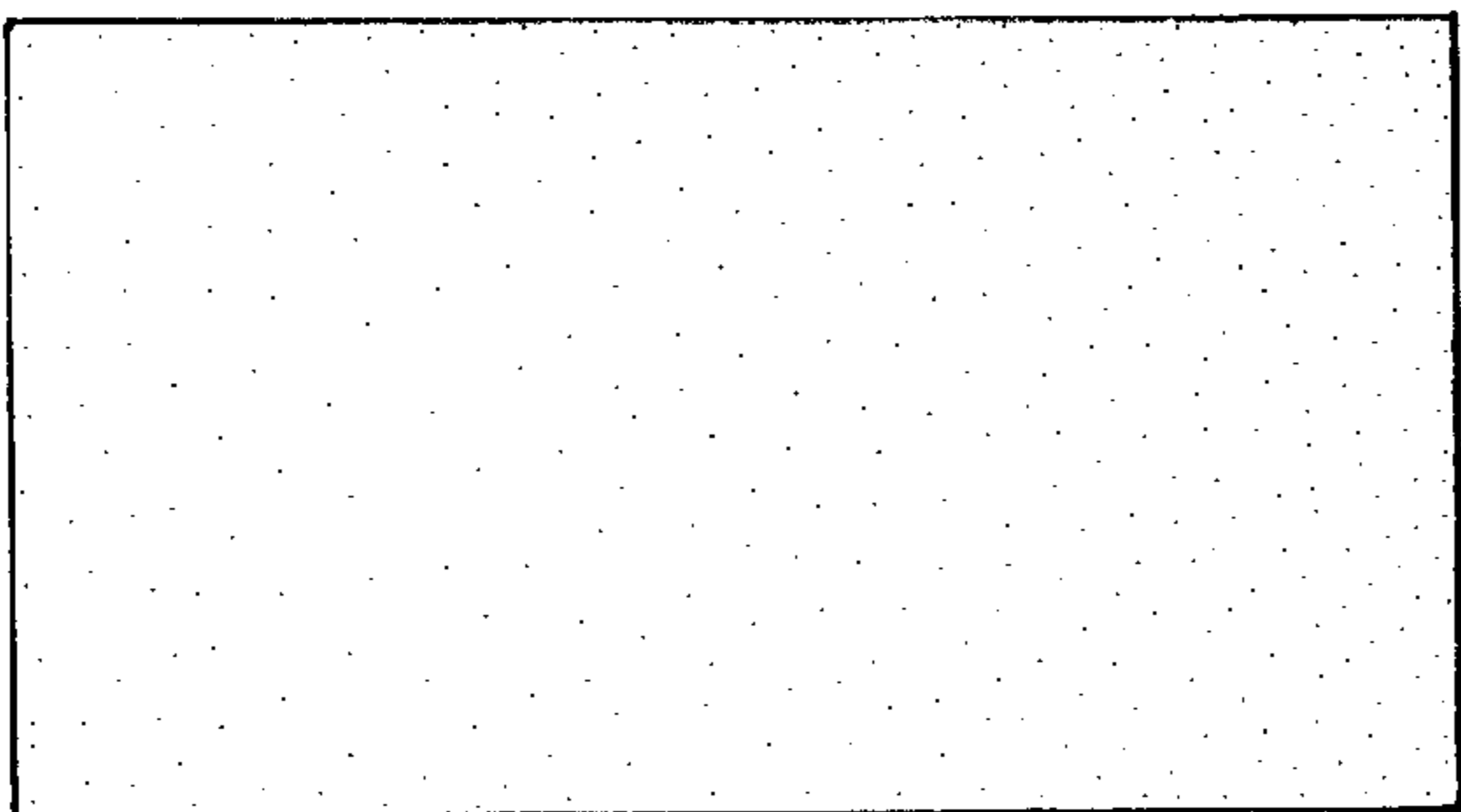


Fig. 14

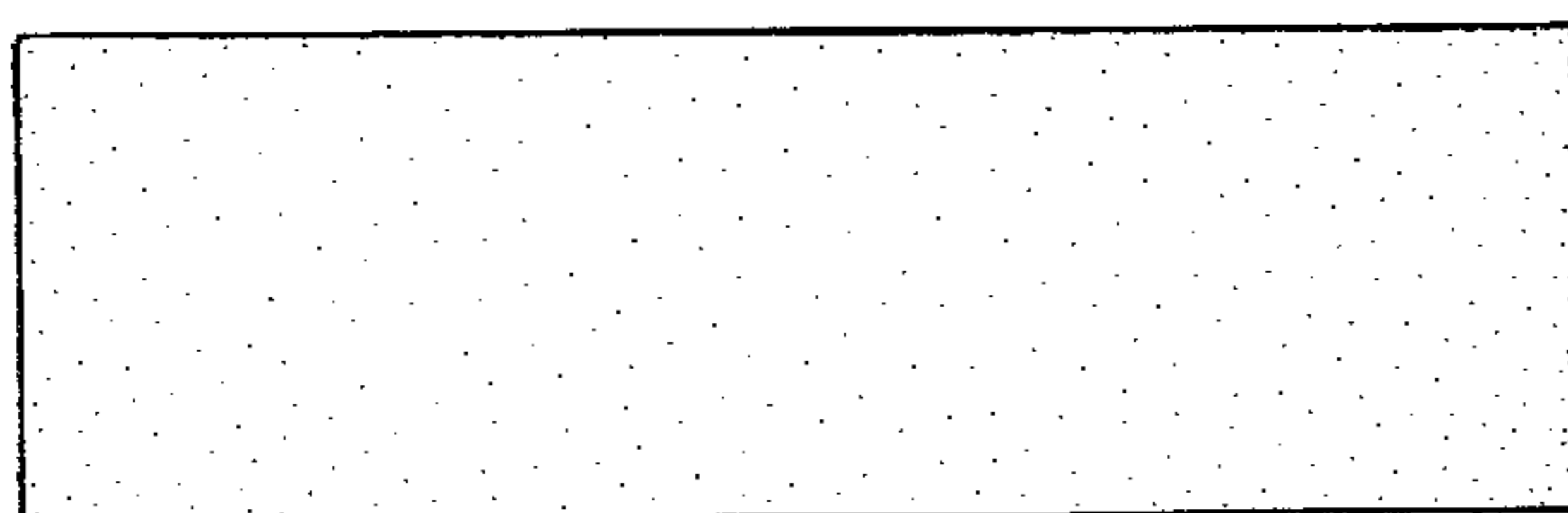


Fig. 15



Fig. 16

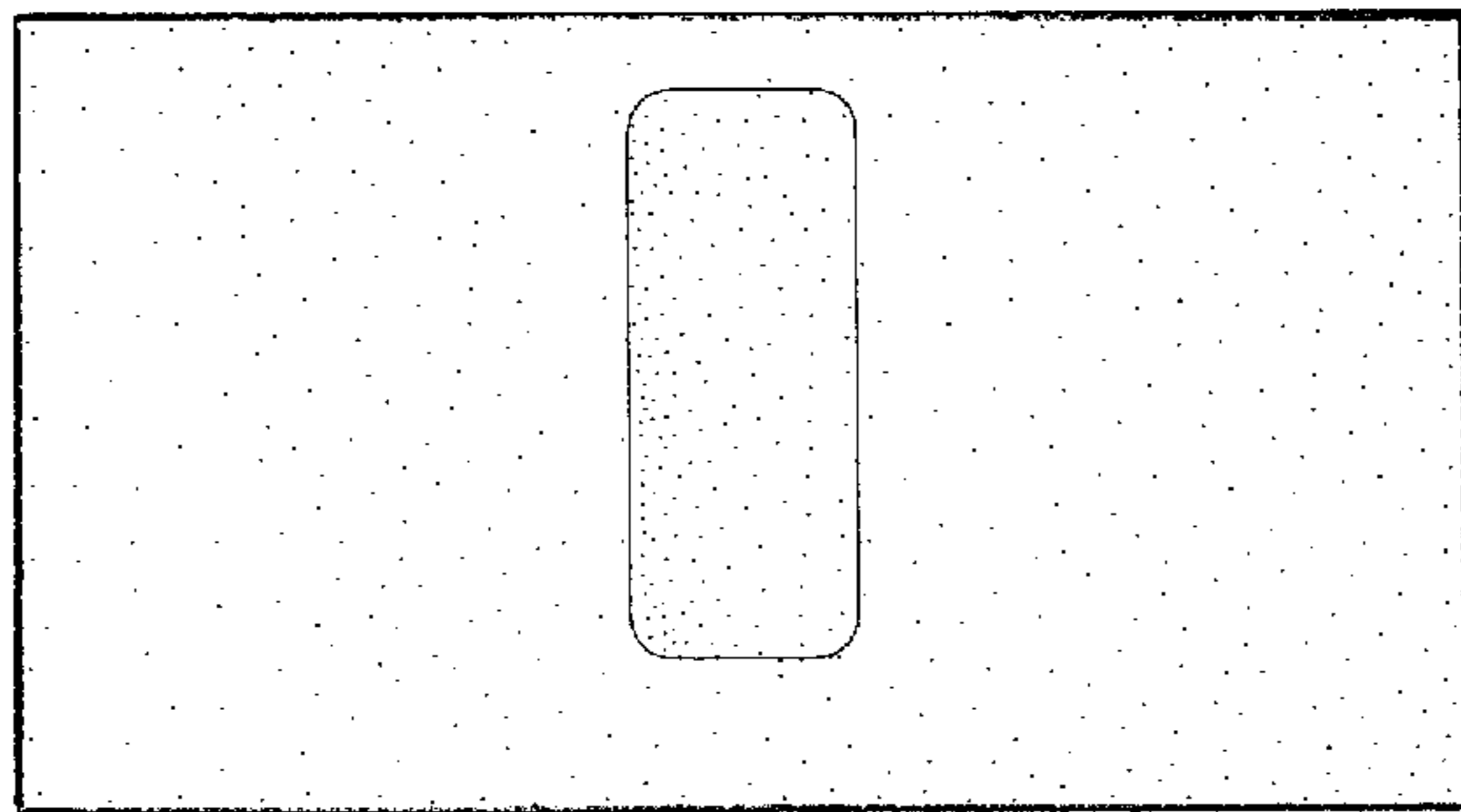
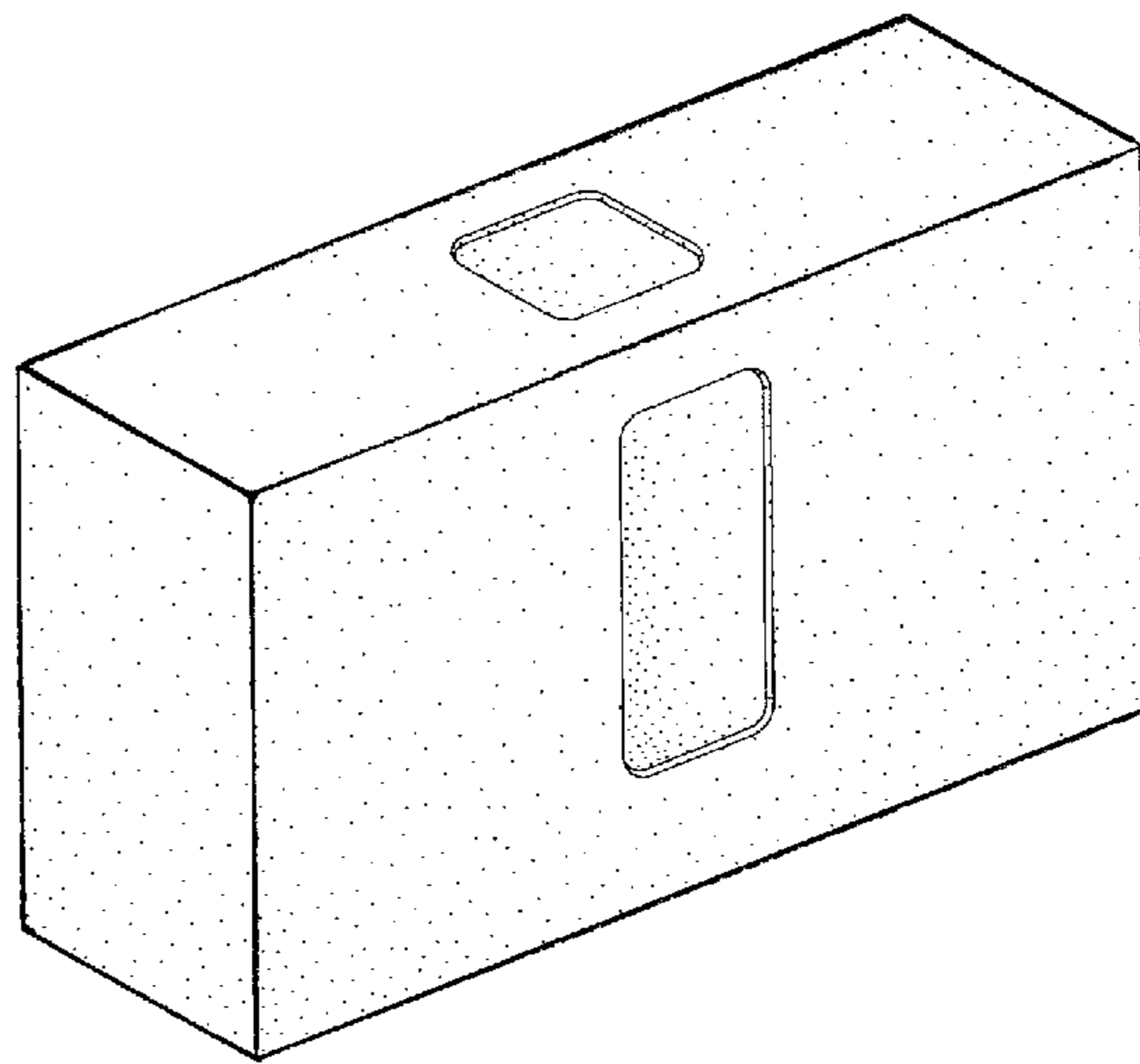


Fig. 17

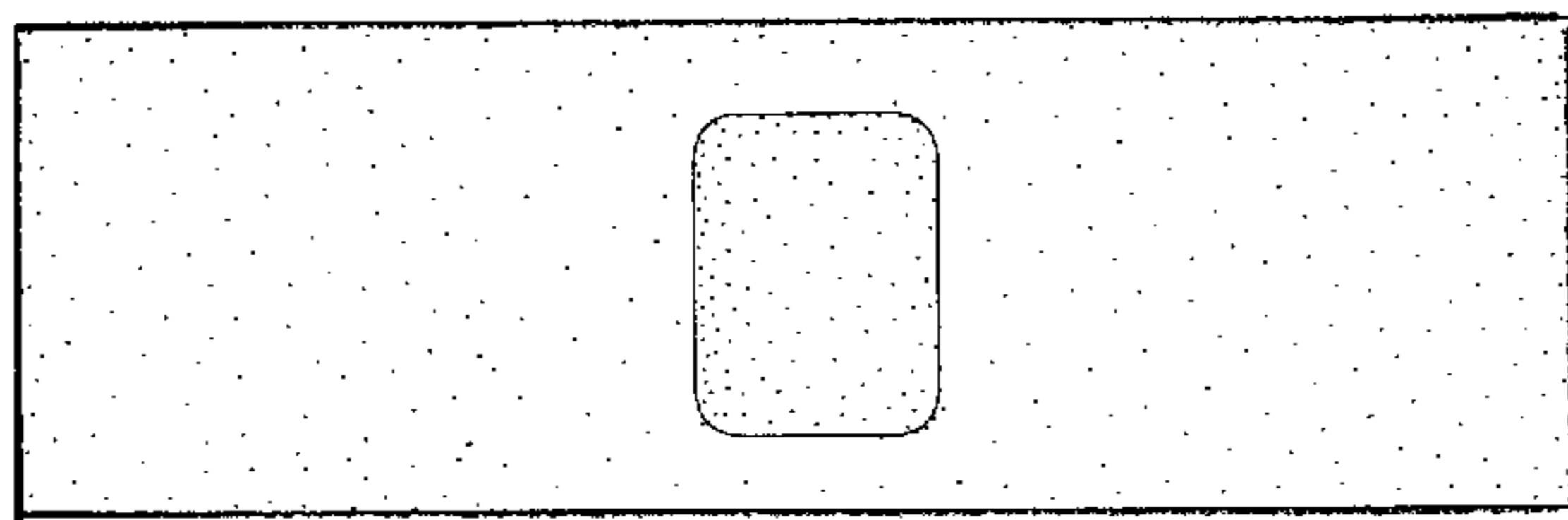


Fig. 18

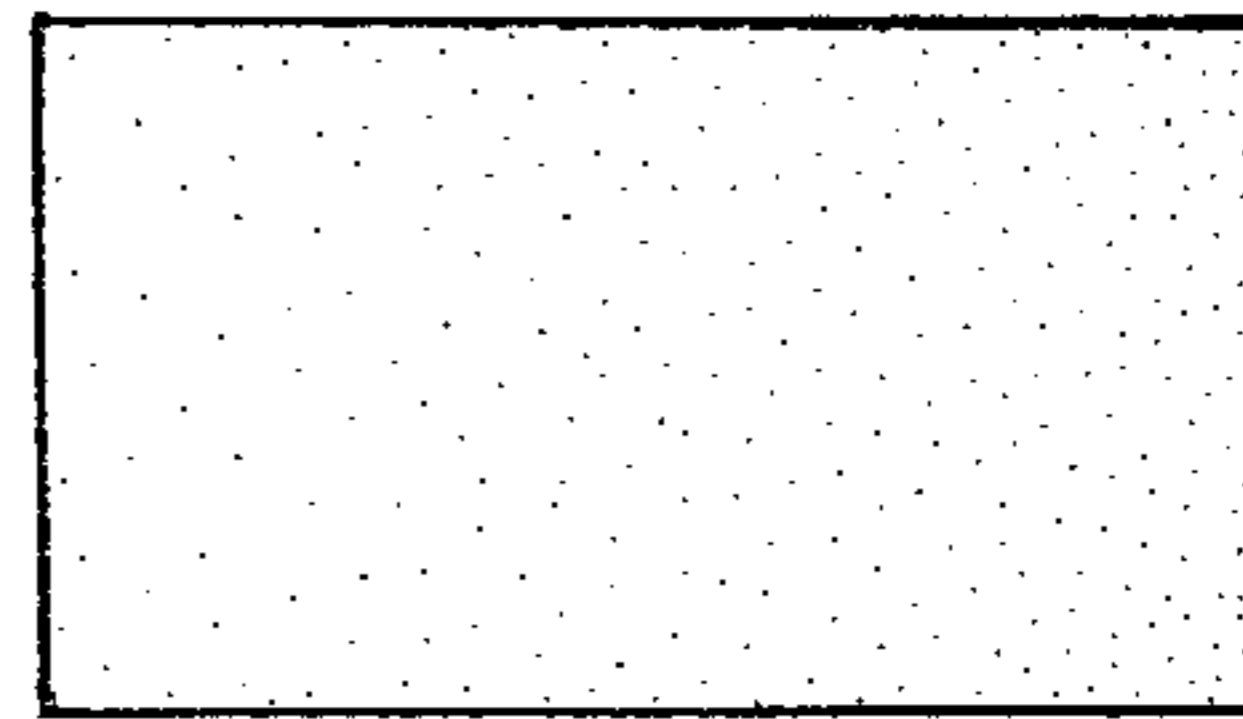


Fig. 19

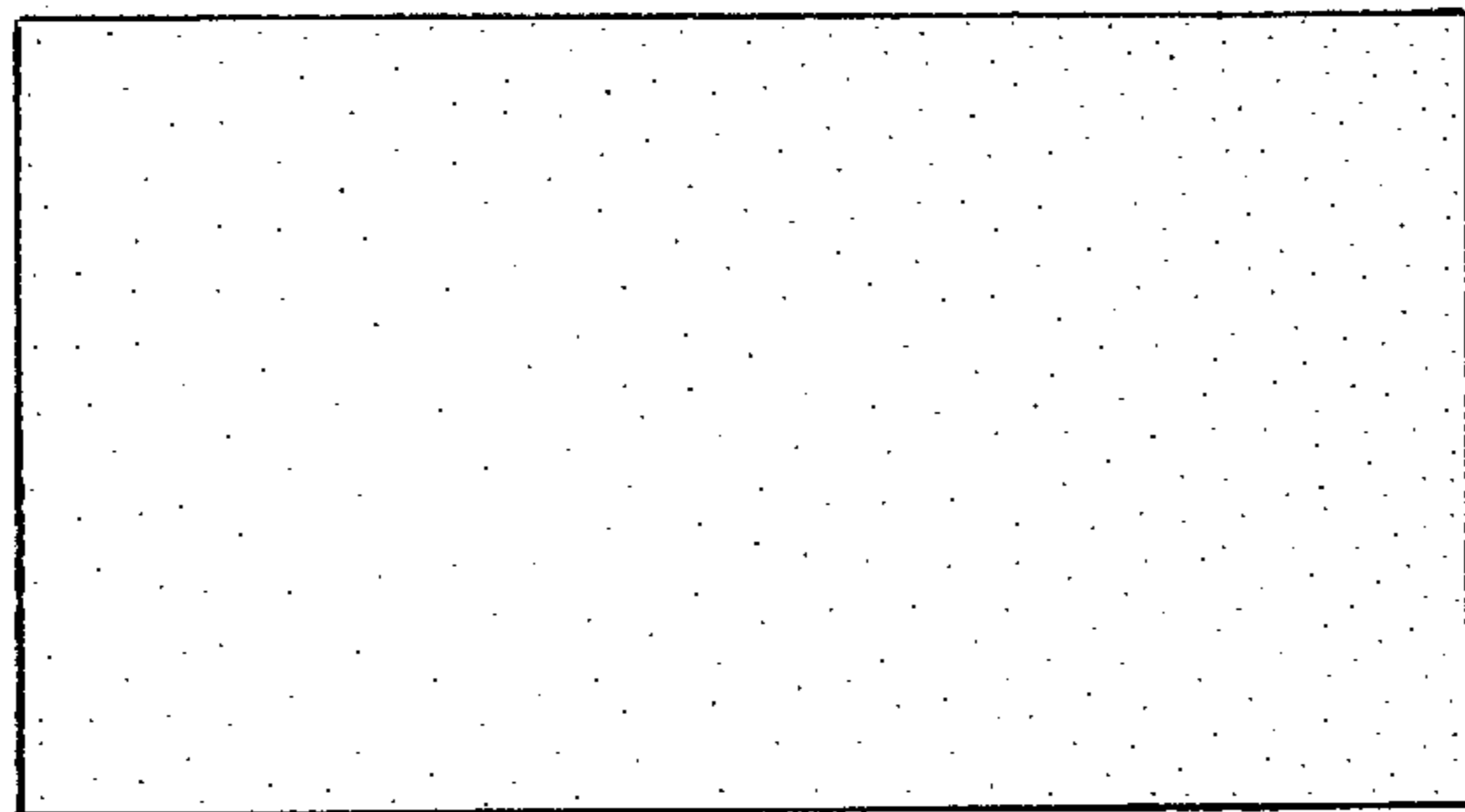


Fig. 20

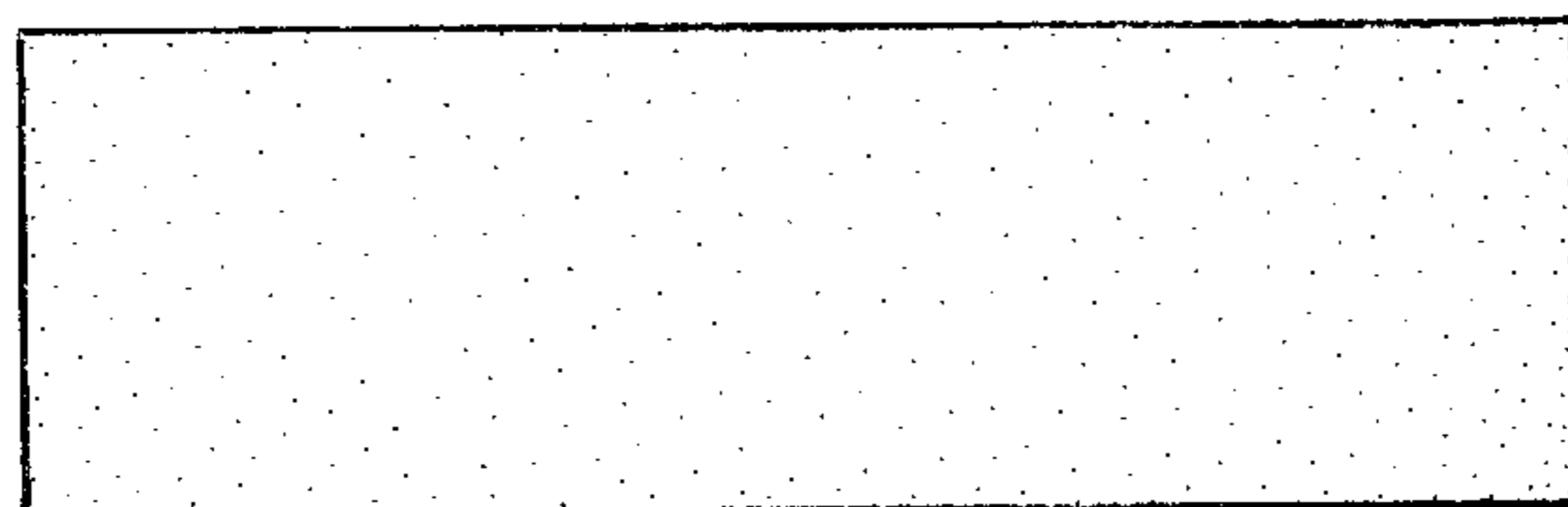


Fig. 21