



US00D446103S

(12) **United States Design Patent**
Olañeta

(10) **Patent No.:** **US D446,103 S**

(45) **Date of Patent:** **** Aug. 7, 2001**

(54) **CAP-CUTTER**

(75) **Inventor:** **Santiago Olañeta, Eibar (ES)**

(73) **Assignee:** **B. Olaneta y Juaristi, S.A., Eibar (ES)**

(**) **Term:** **14 Years**

(21) **Appl. No.:** **29/126,818**

(22) **Filed:** **Jul. 26, 2000**

(30) **Foreign Application Priority Data**

Mar. 1, 2000 (ES) 147745

(51) **LOC (7) Cl.** **08-03**

(52) **U.S. Cl.** **D8/98; D8/41**

(58) **Field of Search** D8/41, 98; 81/3.29,
81/3.07; 30/1.5, 2, 94, 101; 7/156

(56) **References Cited**

U.S. PATENT DOCUMENTS

D. 142,202	*	8/1945	Lanyon	D8/18
D. 297,201		8/1988	Allen	D7/99
D. 308,811	*	6/1990	Hochfeld et al.	D8/41
D. 384,256		9/1997	Dijkstra	D8/34
D. 397,922		9/1998	Gort-Barten	D8/41
D. 422,861	*	4/2000	Hollinger	D8/41
2,439,894		4/1948	Jahn et al.	30/2

2,566,653	*	9/1951	Callahan et al.	30/1.5
2,896,317	*	7/1959	Vaive	30/1.5
4,337,678		7/1982	Mumford	81/3.4
4,509,784		4/1985	Vollers	294/99.1
4,845,844		7/1989	Allen	30/1.5
5,653,023	*	8/1997	Andina	30/1.5
5,878,497		3/1999	Seemann et al.	30/1.5

* cited by examiner

Primary Examiner—Philip S. Hyder

(74) *Attorney, Agent, or Firm*—Nath & Associates PLLC;
Gary M. Nath; Marvin C. Berkowitz

(57) **CLAIM**

The ornamental design for a cap-cutter, as shown and described.

DESCRIPTION

FIG. 1 is a perspective top view of a cap-cutter showing my new design;

FIG. 2 is a perspective underneath view thereof;

FIG. 3 is a underneath view thereof;

FIG. 4 is a rear view thereof;

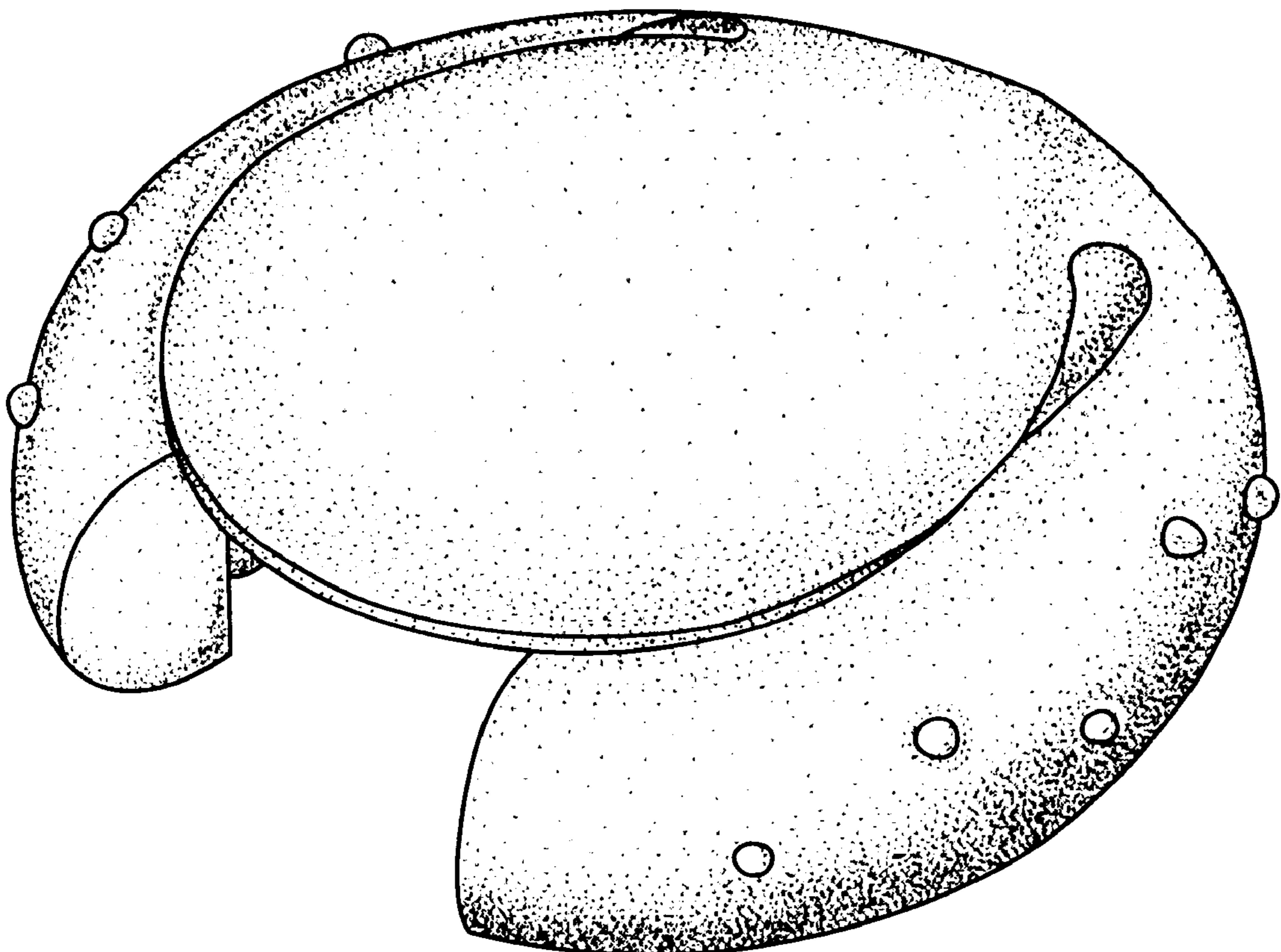
FIG. 5 is a right side view thereof;

FIG. 6 is a front view thereof;

FIG. 7 is a left side view thereof; and,

FIG. 8 is a top view thereof.

1 Claim, 5 Drawing Sheets



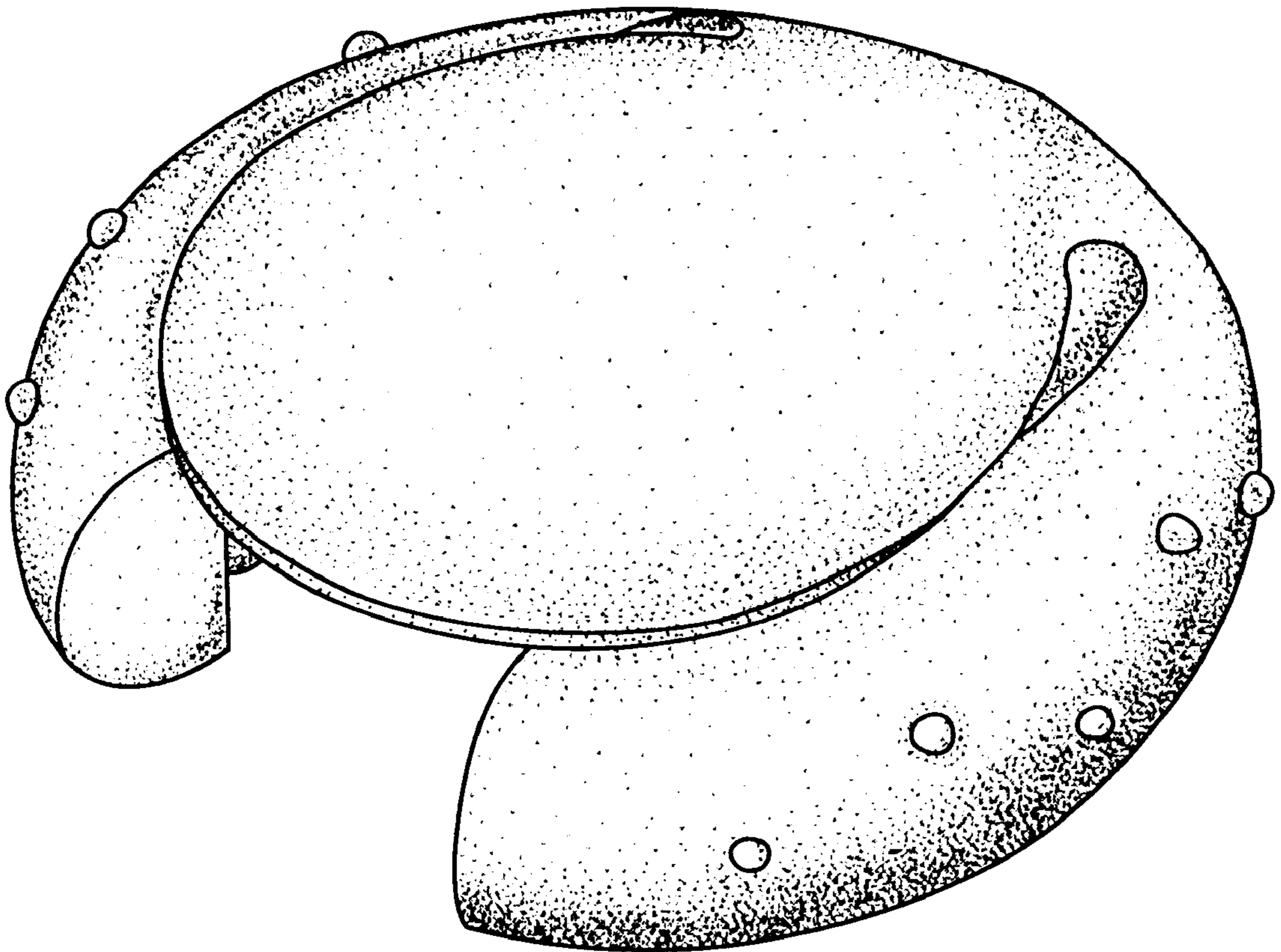


FIG. 1

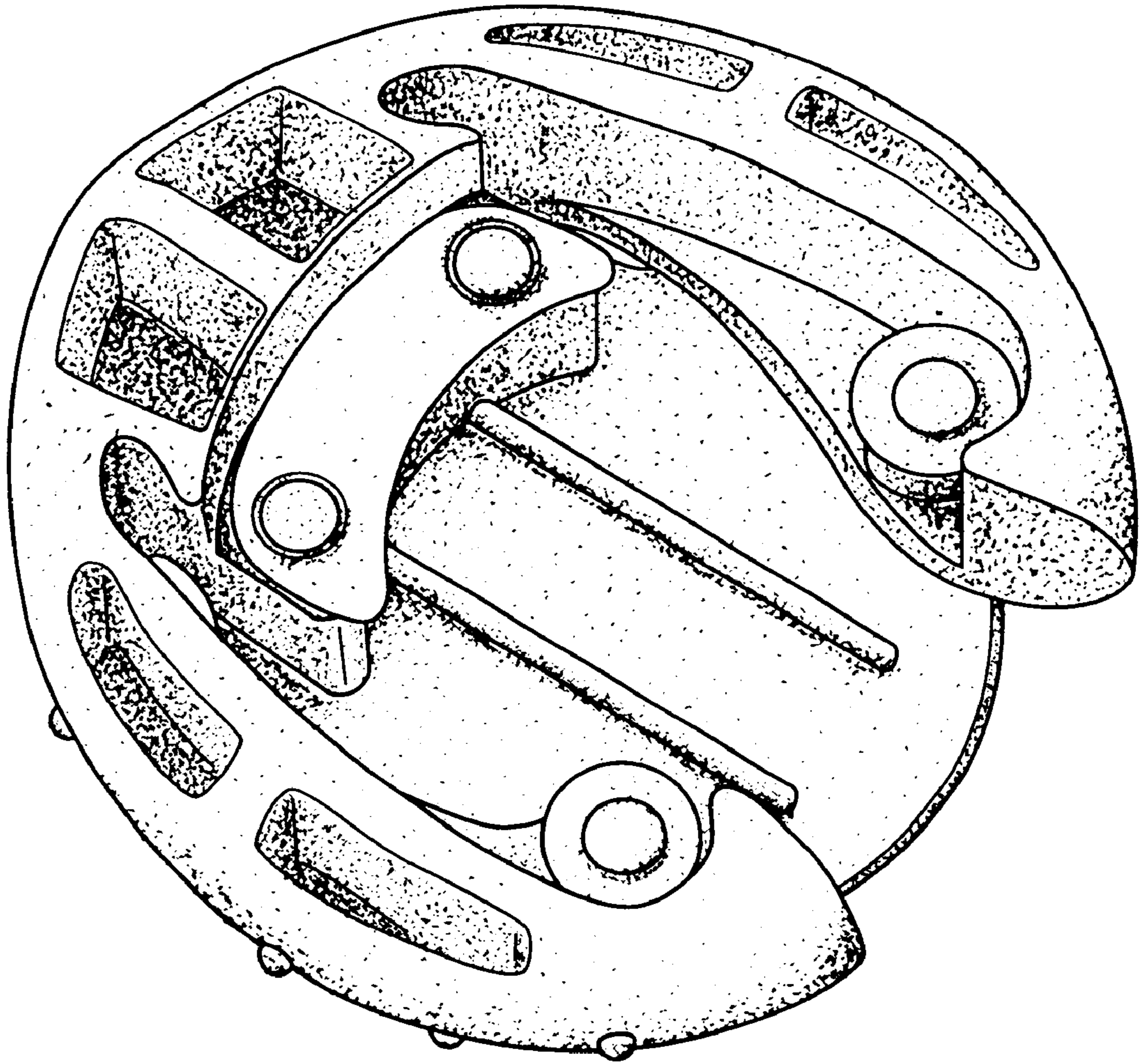


FIG. 2

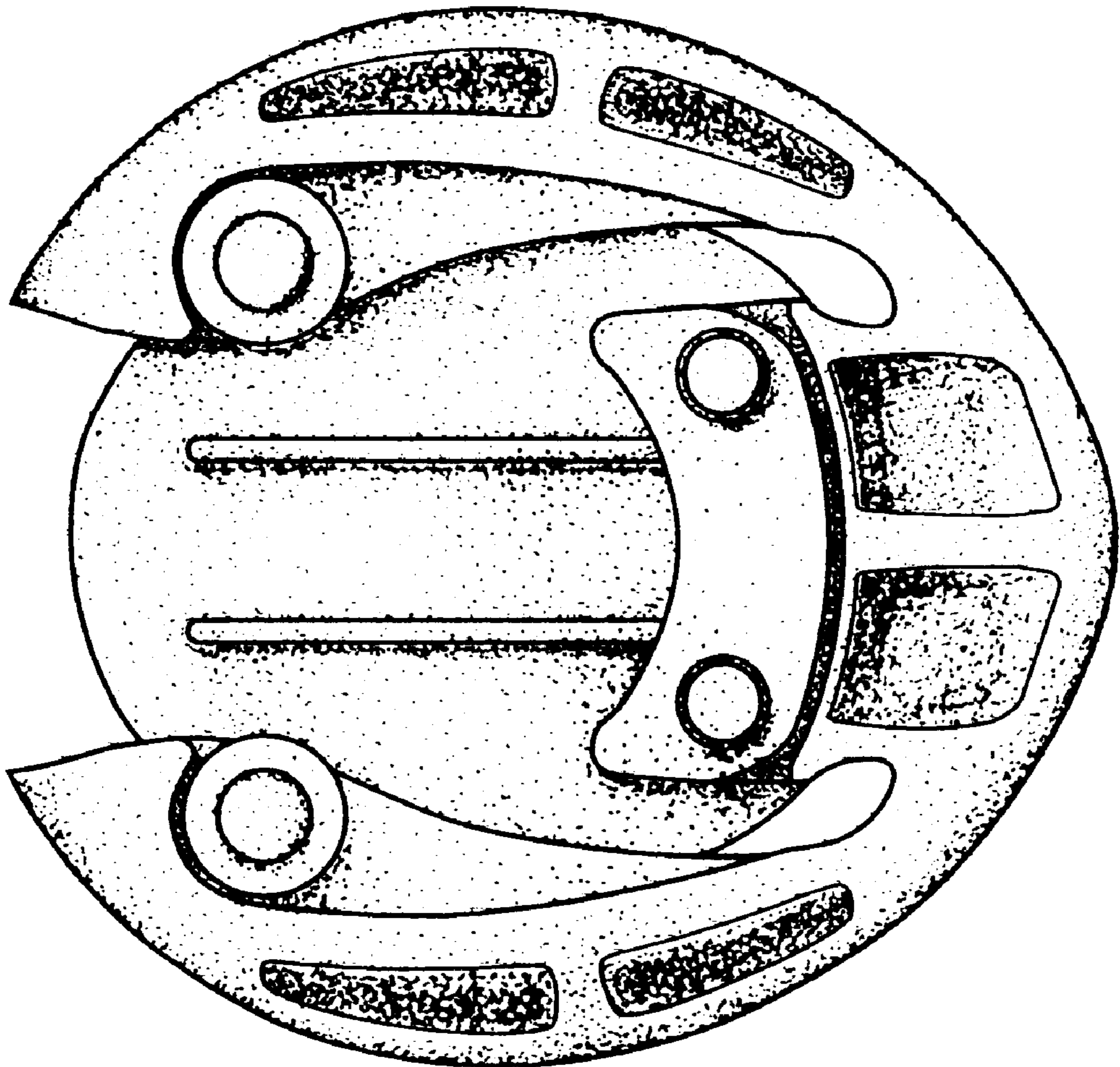


FIG. 3

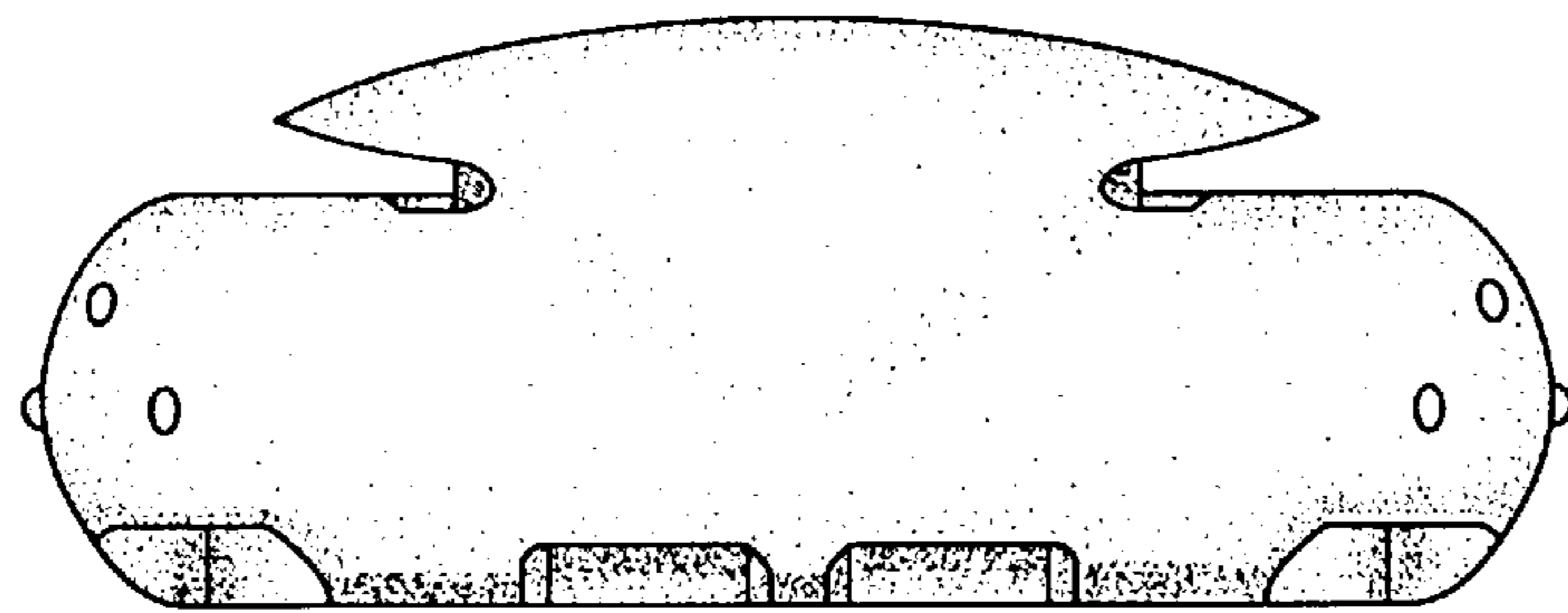


FIG. 4

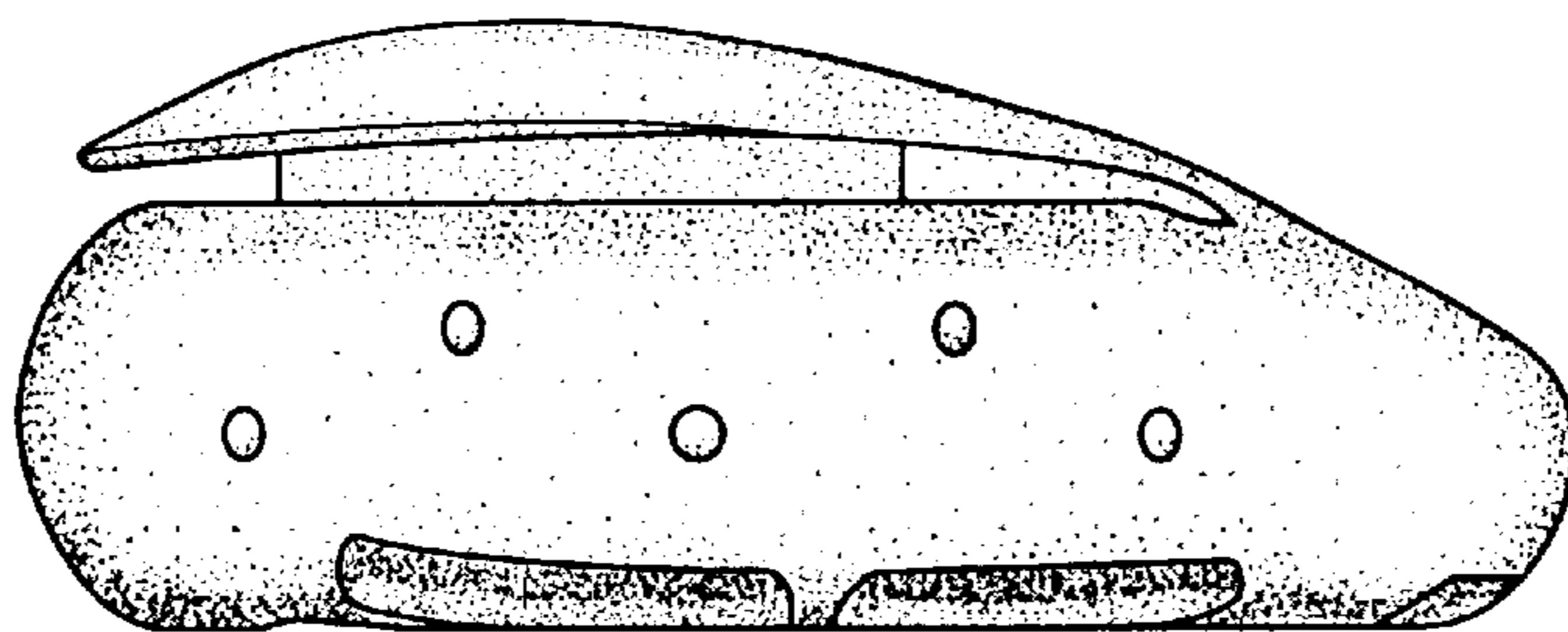


FIG. 5

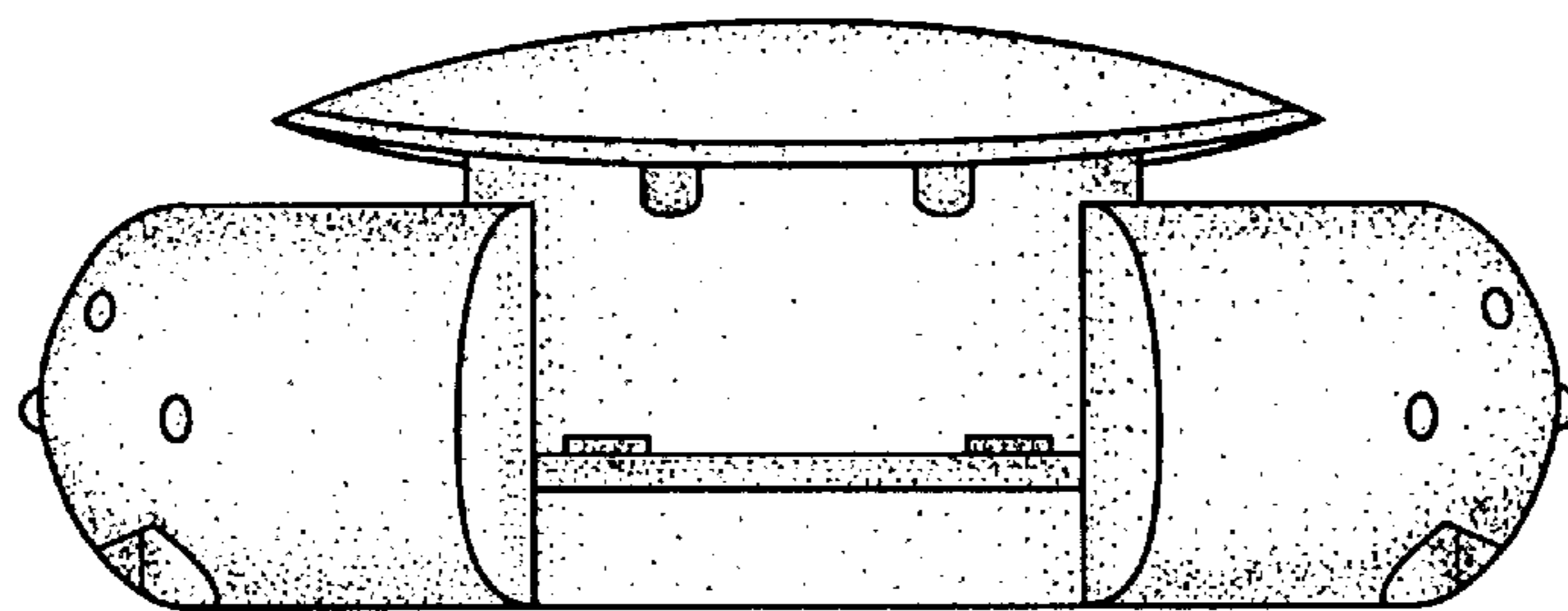


FIG. 6

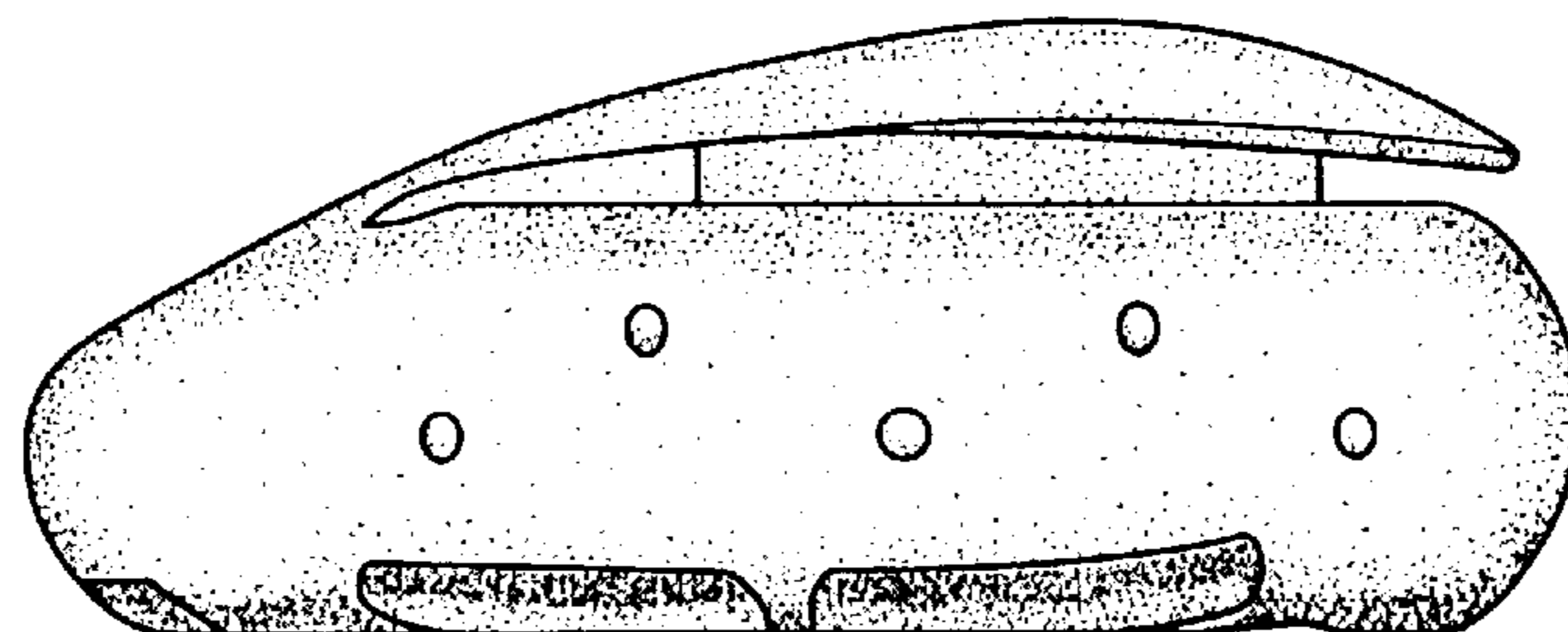


FIG. 7

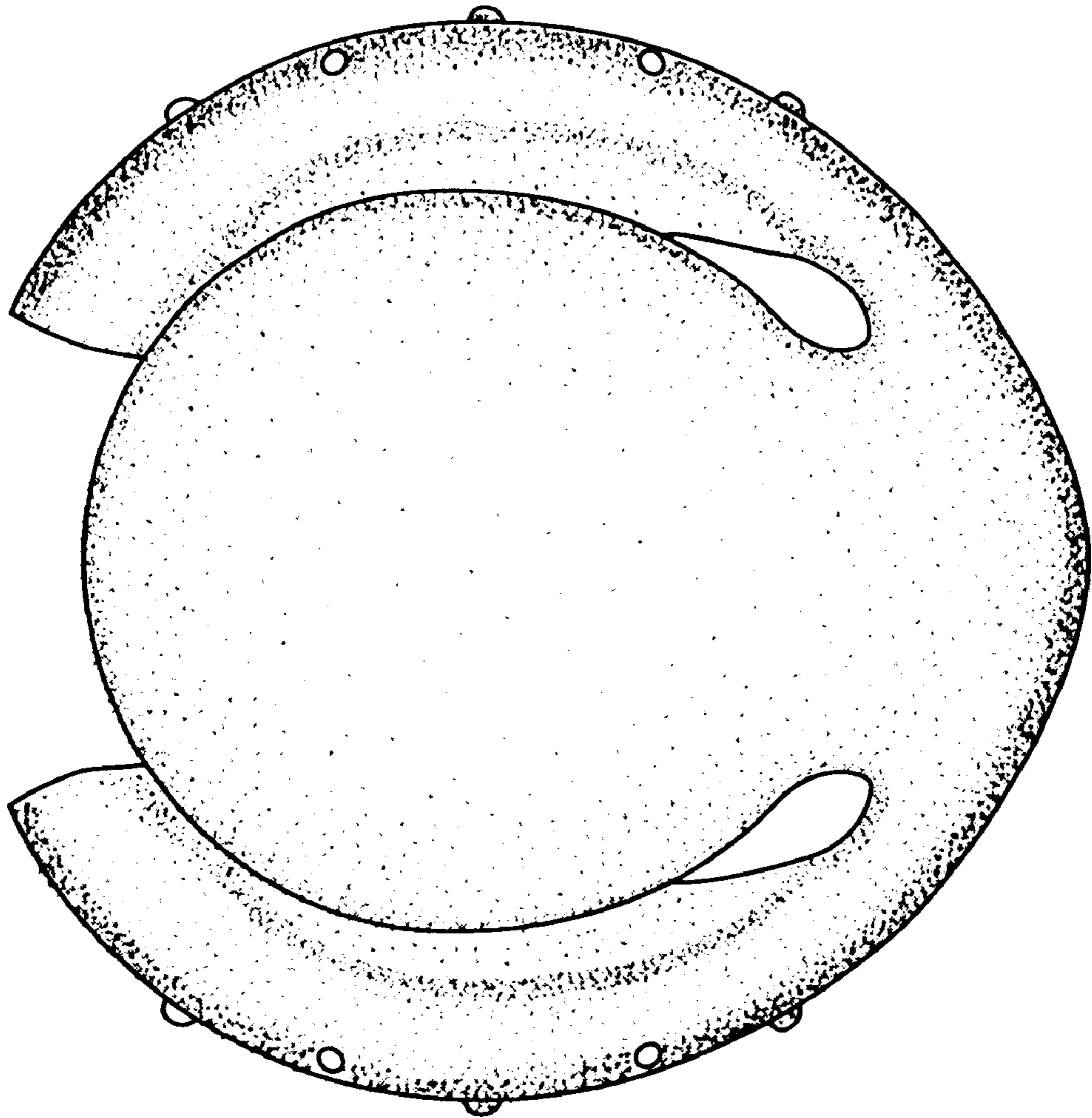


FIG. 8