



US00D446102S

(12) **United States Design Patent**  
**Chen**

(10) **Patent No.:** **US D446,102 S**

(45) **Date of Patent:** **\*\* Aug. 7, 2001**

(54) **HAMMER**

D. 431,988 \* 10/2000 Staton ..... D8/75

(76) Inventor: **John Chen**, No. 14, Alley 6, Lane 17,  
Sec. 3, Chung Yang Rd., Lung Ching  
Hsiang, Taichung Hsien (TW)

\* cited by examiner

*Primary Examiner*—Philip S. Hyder

(74) *Attorney, Agent, or Firm*—Bacon & Thomas, PLLC

(\*\*) Term: **14 Years**

(57) **CLAIM**

(21) Appl. No.: **29/127,499**

The ornamental design for a hammer, as shown and described.

(22) Filed: **Aug. 8, 2000**

**DESCRIPTION**

(51) **LOC (7) Cl.** ..... **08-02**

(52) **U.S. Cl.** ..... **D8/78; D8/75**

(58) **Field of Search** ..... D8/75, 76, 77,  
D8/78, 79, 80, 81, 88, 89, 14; 81/20, 21,  
22, 23, 24, 25, 26

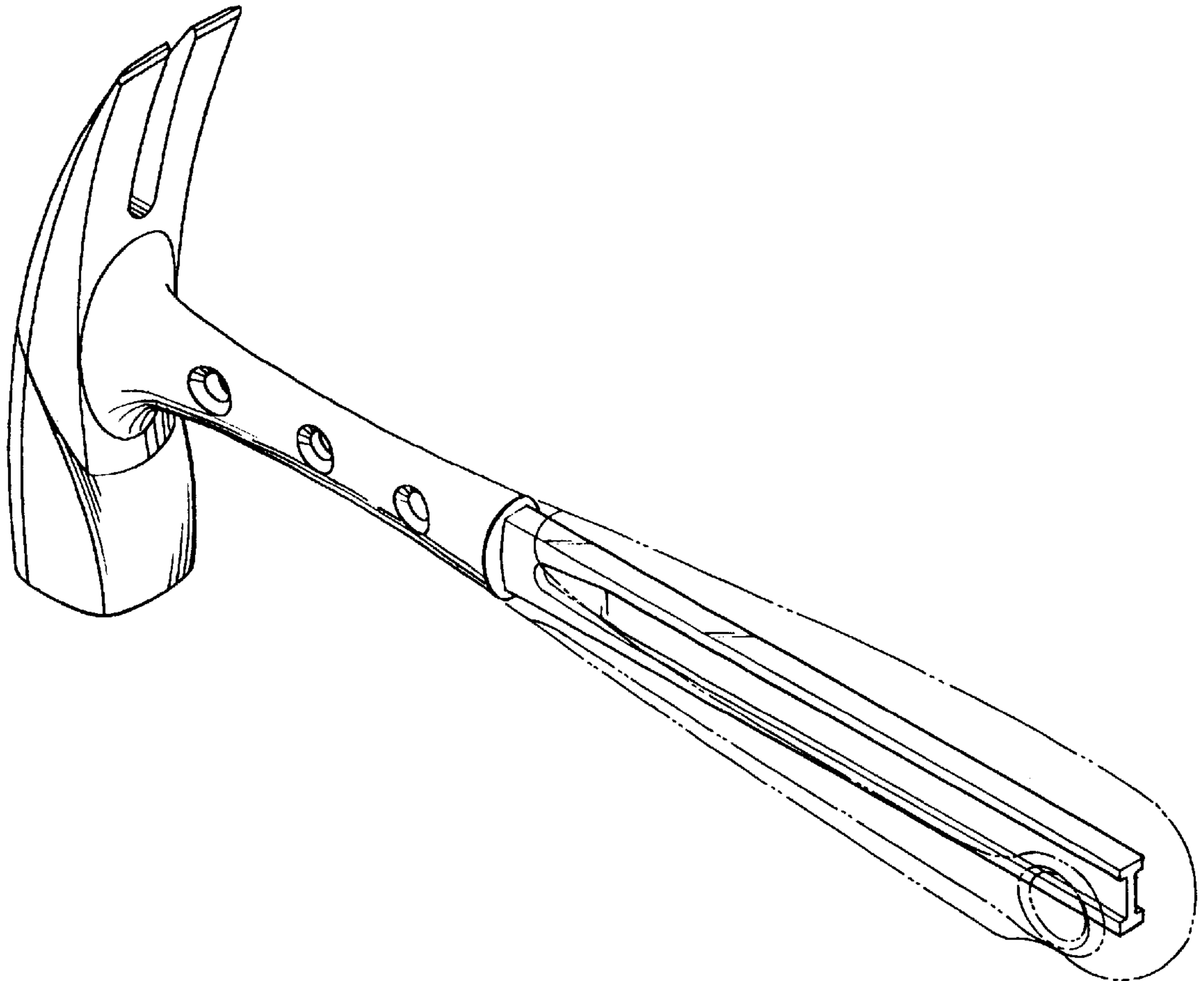
FIG. 1 is a right side perspective view of a hammer etc. showing my new design;  
FIG. 2 is a front view thereof;  
FIG. 3 is a rear view thereof;  
FIG. 4 is a left side view thereof;  
FIG. 5 is a right side view thereof;  
FIG. 6 is a top view thereof;  
FIG. 7 is a bottom view thereof; and,  
FIG. 8 is a front view thereof, wherein the broken line showing of the tool handle cover is for illustrative purposes only and forming no part of the claimed design.

(56) **References Cited**

**U.S. PATENT DOCUMENTS**

- D. 237,582 \* 11/1975 Mostyn ..... D8/75
- D. 267,469 \* 1/1983 Crowder ..... D8/75
- D. 420,881 \* 2/2000 Davis et al. .... D8/75
- D. 426,128 \* 6/2000 Lamond et al. .... D8/75
- D. 431,987 \* 10/2000 Staton ..... D8/75

**1 Claim, 5 Drawing Sheets**



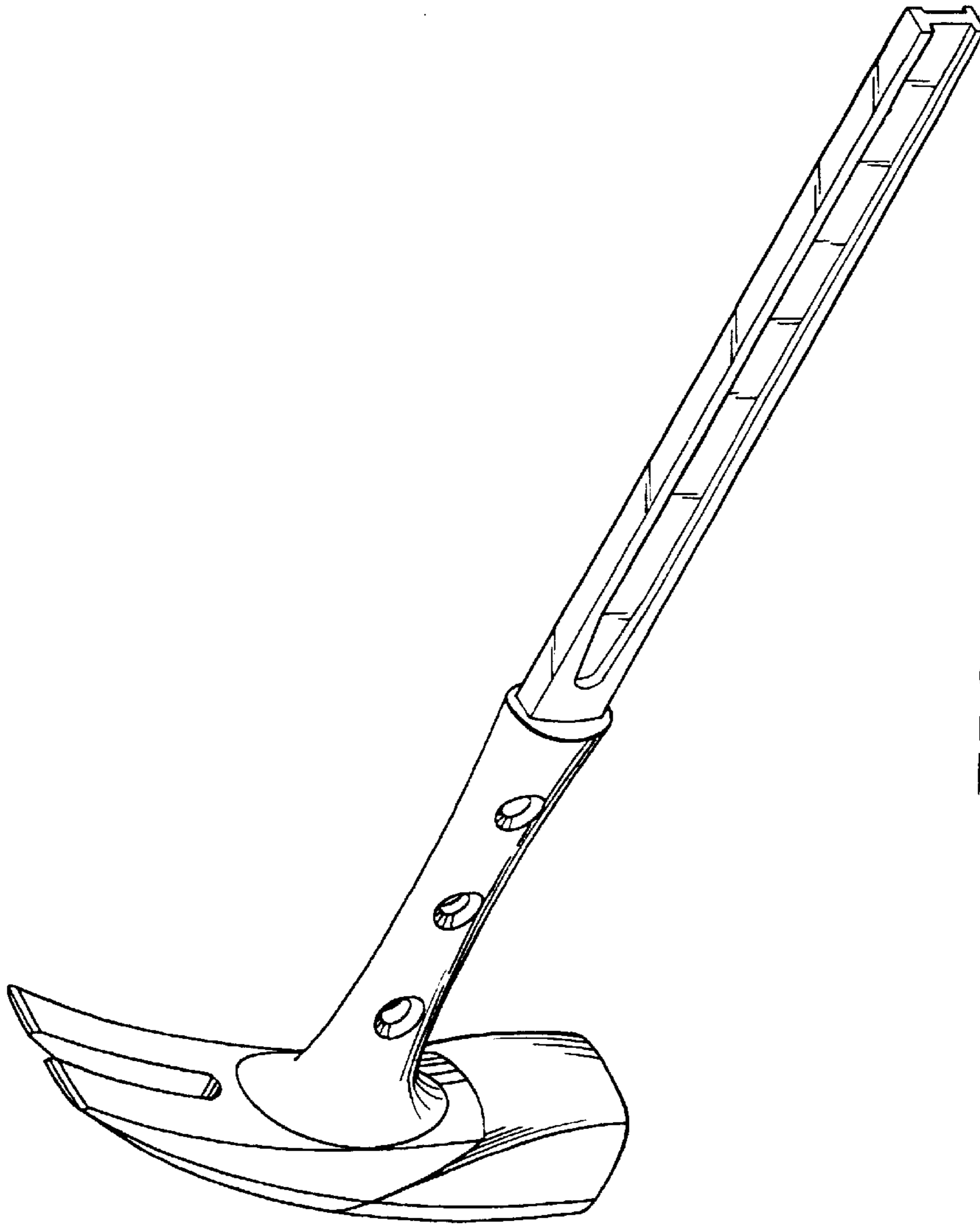


FIG. 1

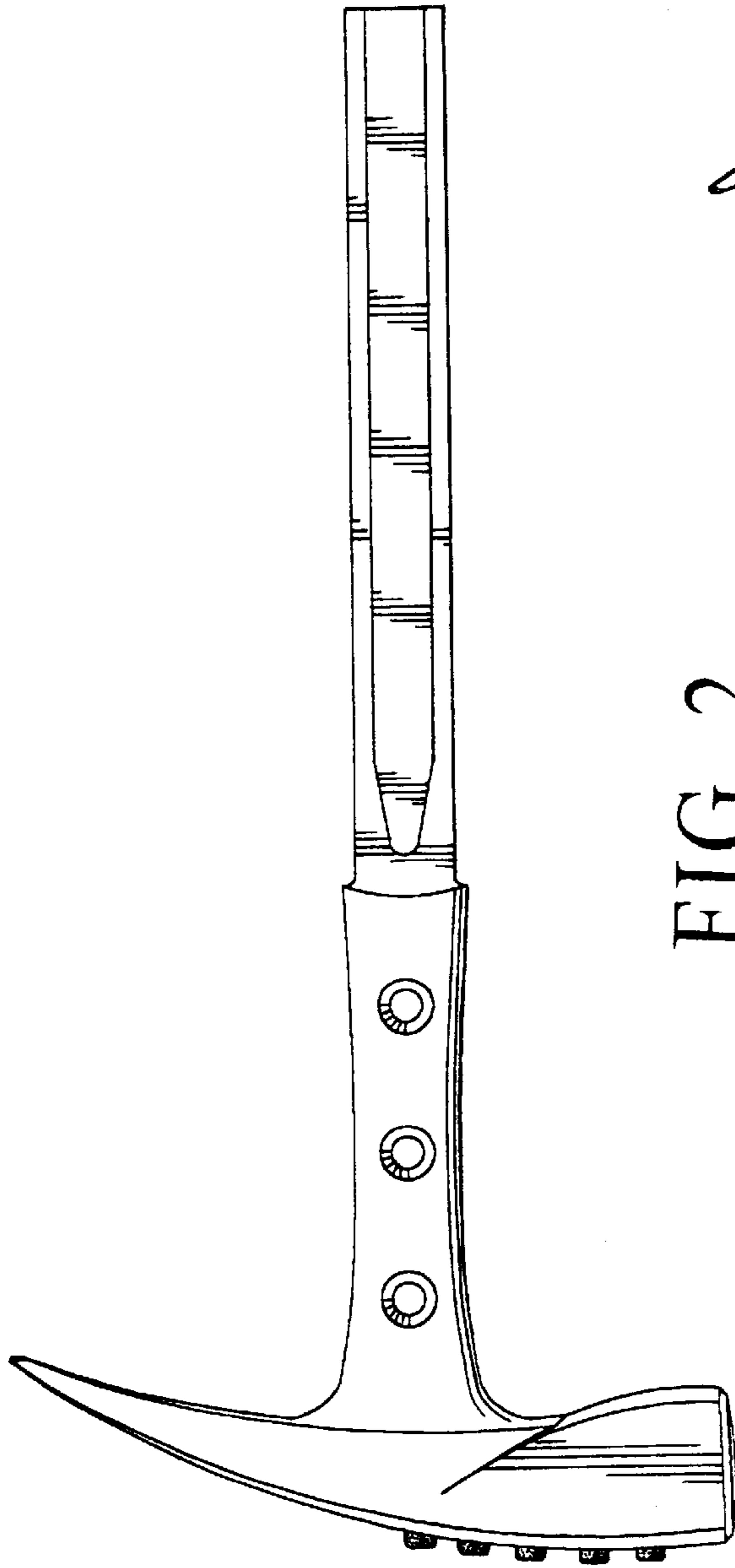


FIG. 2

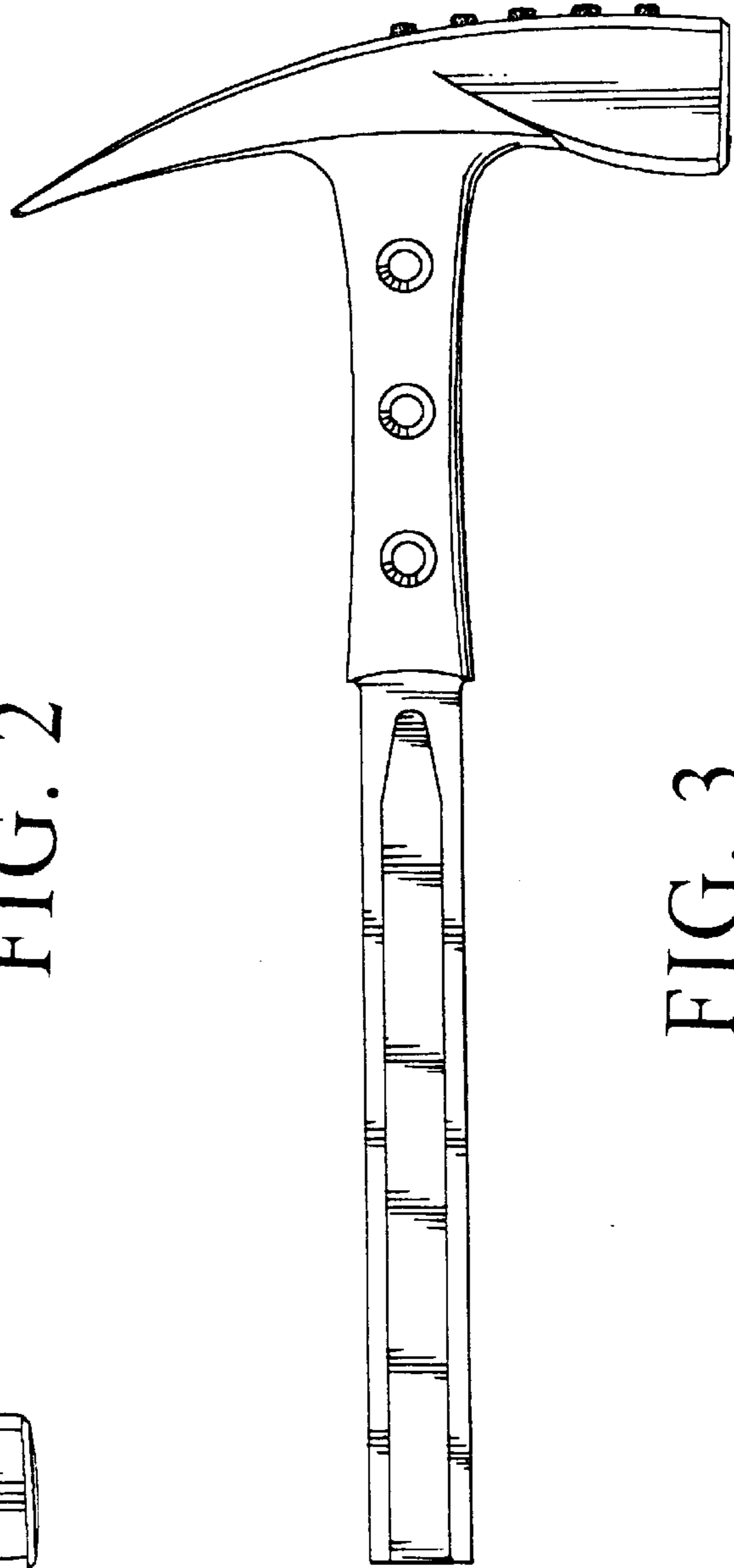


FIG. 3

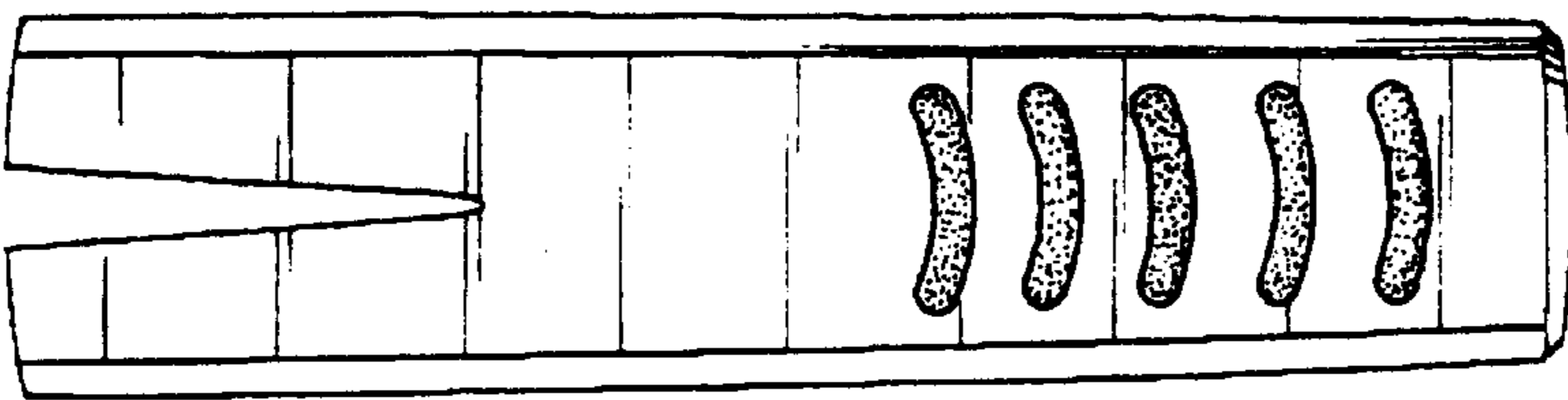


FIG. 4

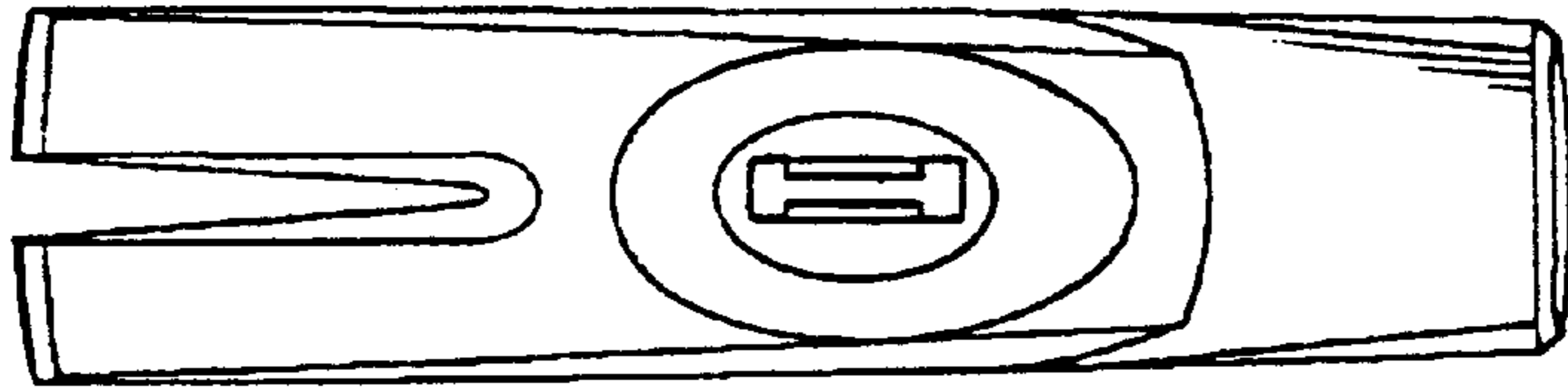


FIG. 5

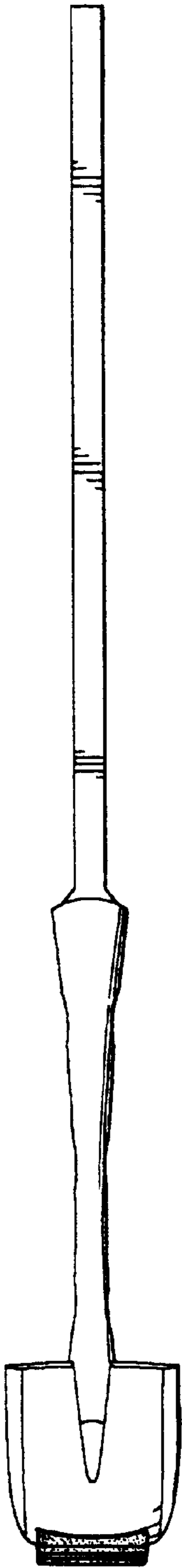


FIG. 6

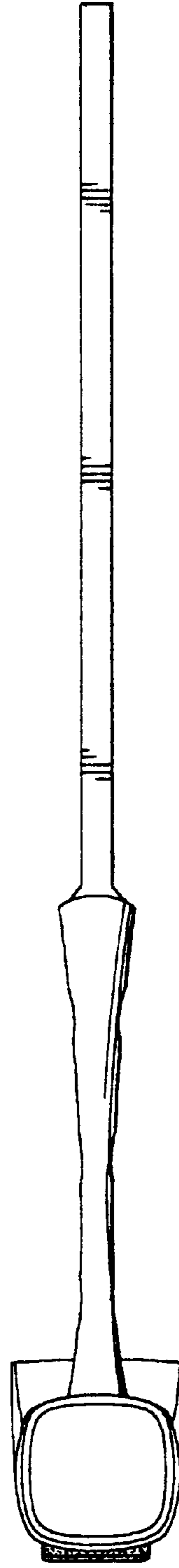


FIG. 7

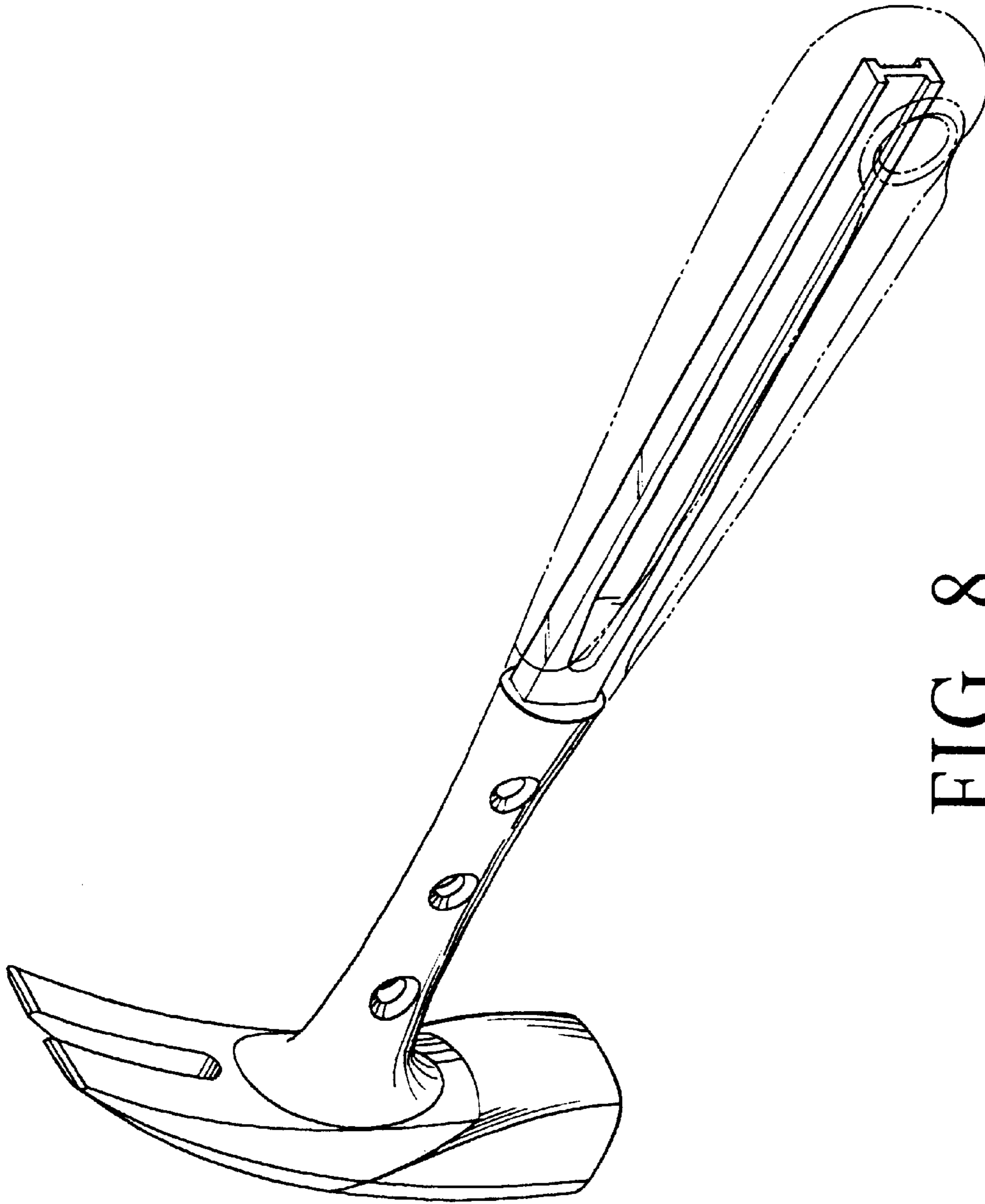


FIG. 8