



US00D446101S

(12) **United States Design Patent**
Cone

(10) **Patent No.:** **US D446,101 S**

(45) **Date of Patent:** **** Aug. 7, 2001**

(54) **ORIENTING AND DRIVING SYSTEM FOR ROOFING NAILS**

DESCRIPTION

(76) Inventor: **Michael P. Cone**, 3330 Old Spanish Trail, Houston, TX (US) 77021

(**) Term: **14 Years**

(21) Appl. No.: **29/114,359**

(22) Filed: **Nov. 22, 1999**

(51) **LOC (7) Cl.** **08-05**

(52) **U.S. Cl.** **D8/71**

(58) **Field of Search** D8/71, 75, 76, D8/77; 81/19, 20-24; 206/347, 338, 345, 346; 411/442, 443, 966

(56) **References Cited**

U.S. PATENT DOCUMENTS

D. 182,133	*	2/1958	MacMinn	D8/77
D. 302,932	*	8/1989	Chapin et al.	D8/75
D. 335,434	*	5/1993	Someya	D8/71
D. 342,432	*	12/1993	Sadoway	D8/71
2,518,059	*	8/1950	Pemmerl	81/19
3,294,303	*	12/1966	Anstett	411/442
4,575,971	*	3/1986	Keneson	D8/71
5,046,396	*	9/1991	Pfister	411/442
5,178,048	*	1/1993	Matechuk	81/24
5,244,088	*	9/1993	Musil	206/338
5,960,677	*	10/1999	Carmen	81/20

* cited by examiner

Primary Examiner—Raphael Barkai

(74) *Attorney, Agent, or Firm*—James L. Jackson; Mayor, Day, Caldwell & Keeton, LLP

(57) **CLAIM**

The ornamental design for an orienting and driving system for roofing nails, as shown and described.

FIG. 1 is an isometric illustration of the nail orienting device of the design;

FIG. 2 is a front elevational view of the nail orienting device of the design, the rear elevational view being a mirror image of the front elevational view;

FIG. 3 is a side elevational view of the nail orienting device of the design, the opposite side elevational view being a mirror image thereof;

FIG. 4 is a plan view of the design;

FIG. 5 is a bottom view of the design;

FIG. 6 is a side elevational view of the nail retrieving and driving implement of the design, the opposite side elevational view being a mirror image thereof;

FIG. 7 is a front elevational view of the nail retrieving and driving implement of the design;

FIG. 8 is a rear elevational view of the nail retrieving and driving implement of the design;

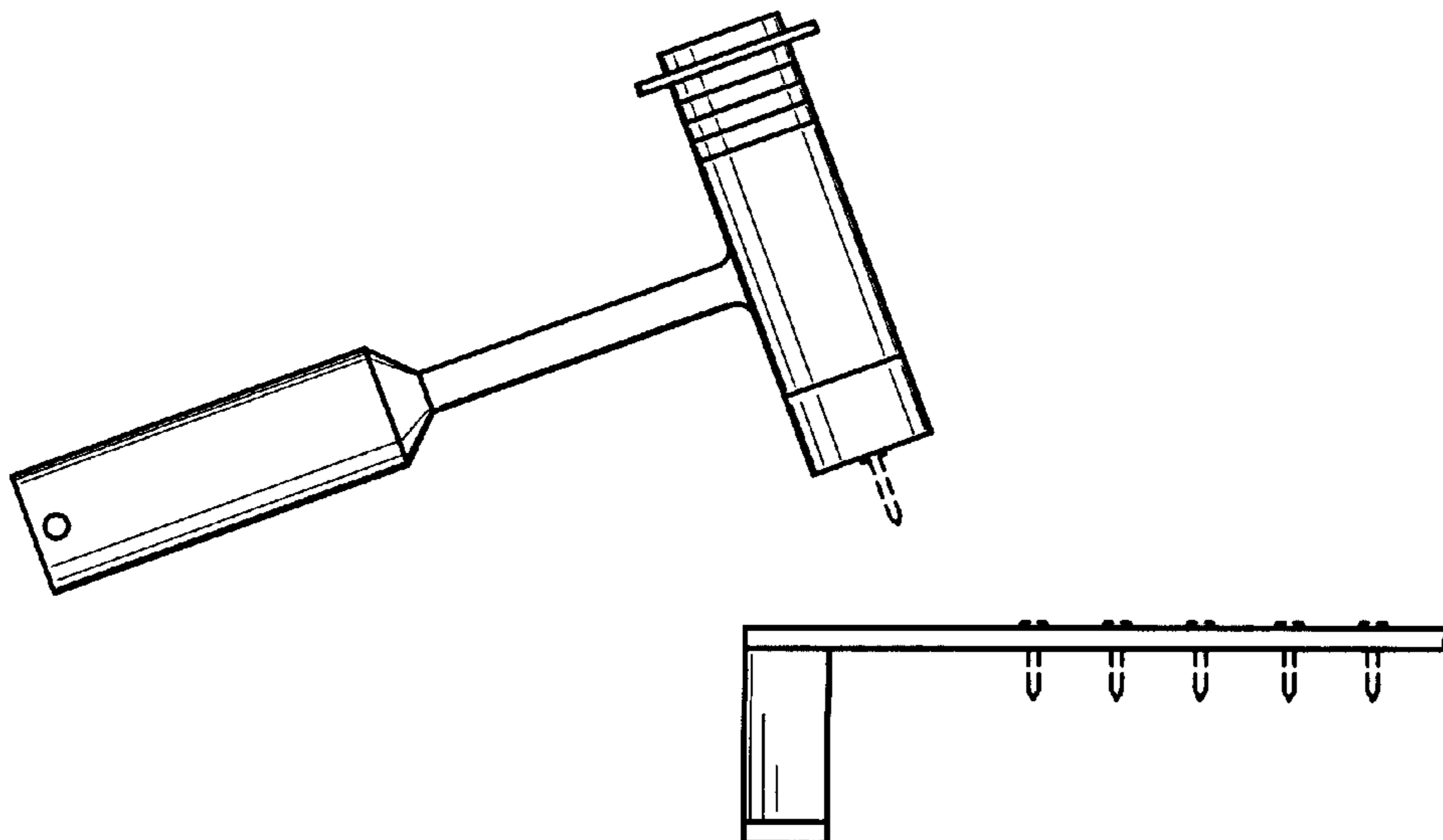
FIG. 9 is a top view of the nail retrieving and driving implement of the design;

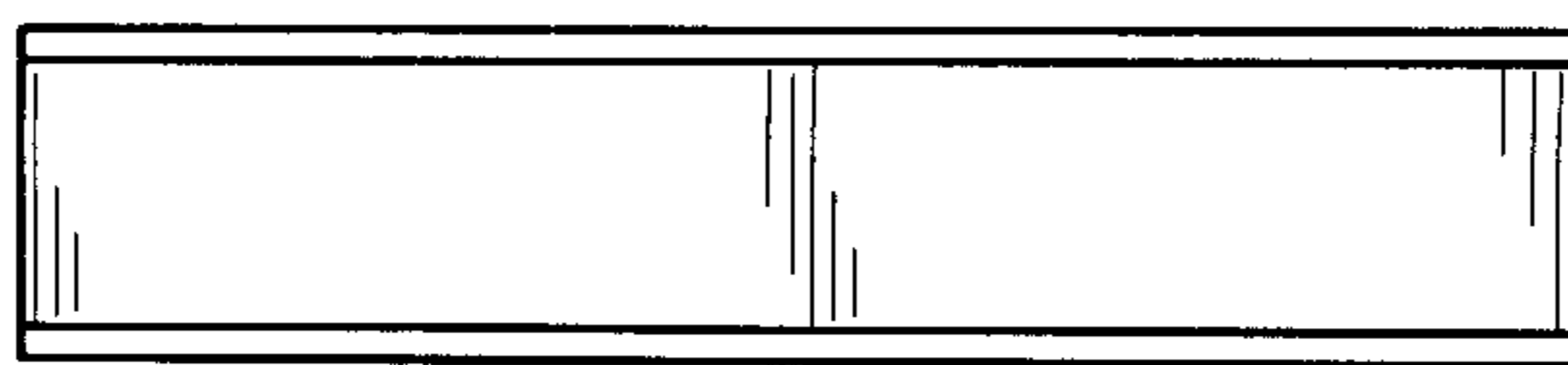
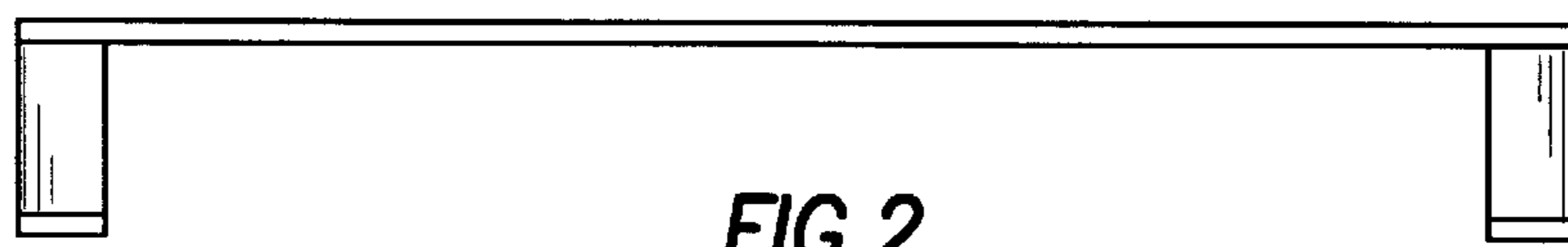
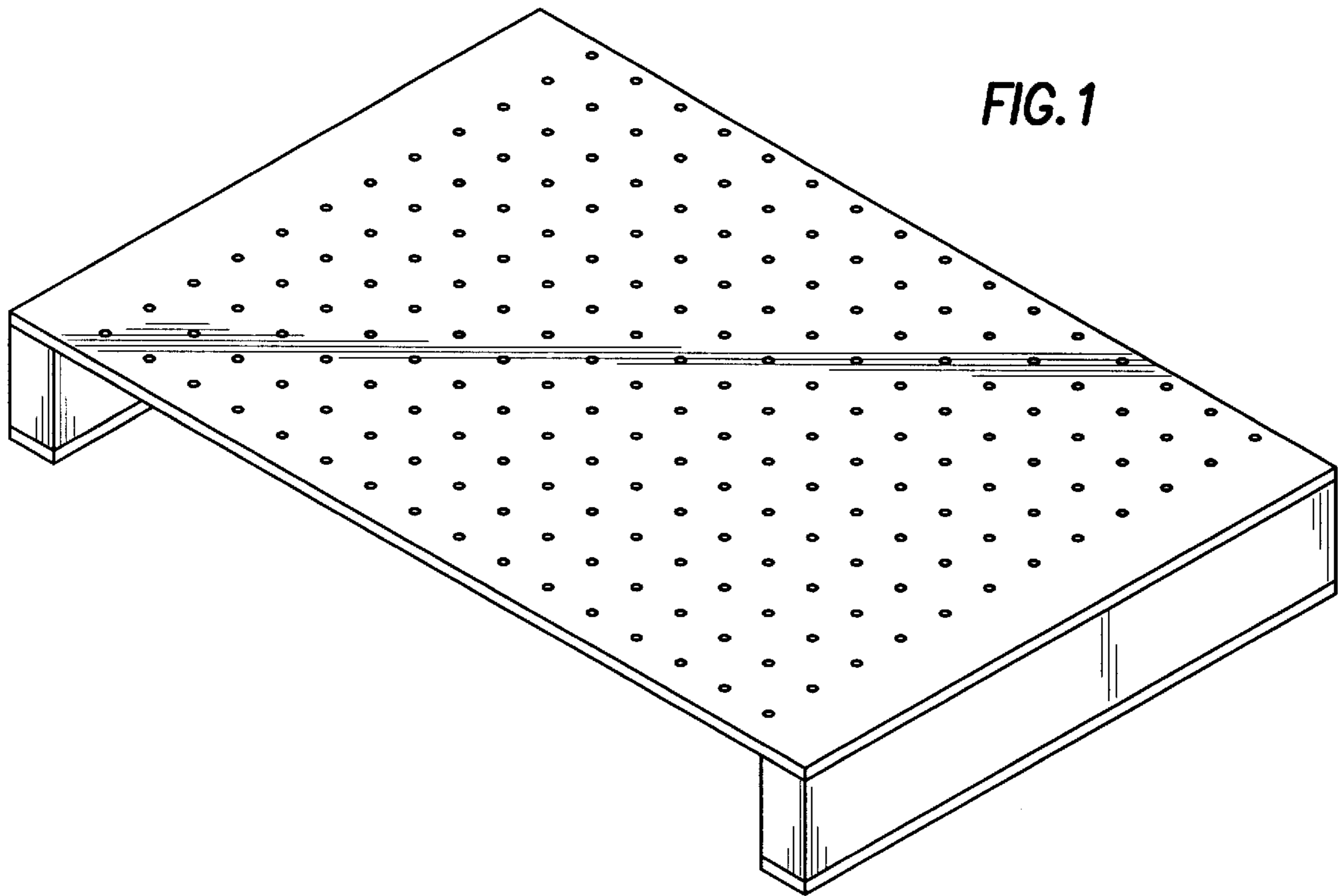
FIG. 10 is a bottom view of the nail retrieving and driving implement of the design; and,

FIG. 11 is an elevational view showing the nail retrieving and driving implement and a portion of the nail positioning and orienting device of the design and further showing a nail having been retrieved from the nail positioning and orienting device of the design by the nail retrieving and driving implement of the design.

The elements are shown separately in FIGS. 1-10 for ease of illustration and the broken lines shown in FIG. 11 are for illustrative purposes only and form no part of the claimed design.

1 Claim, 3 Drawing Sheets





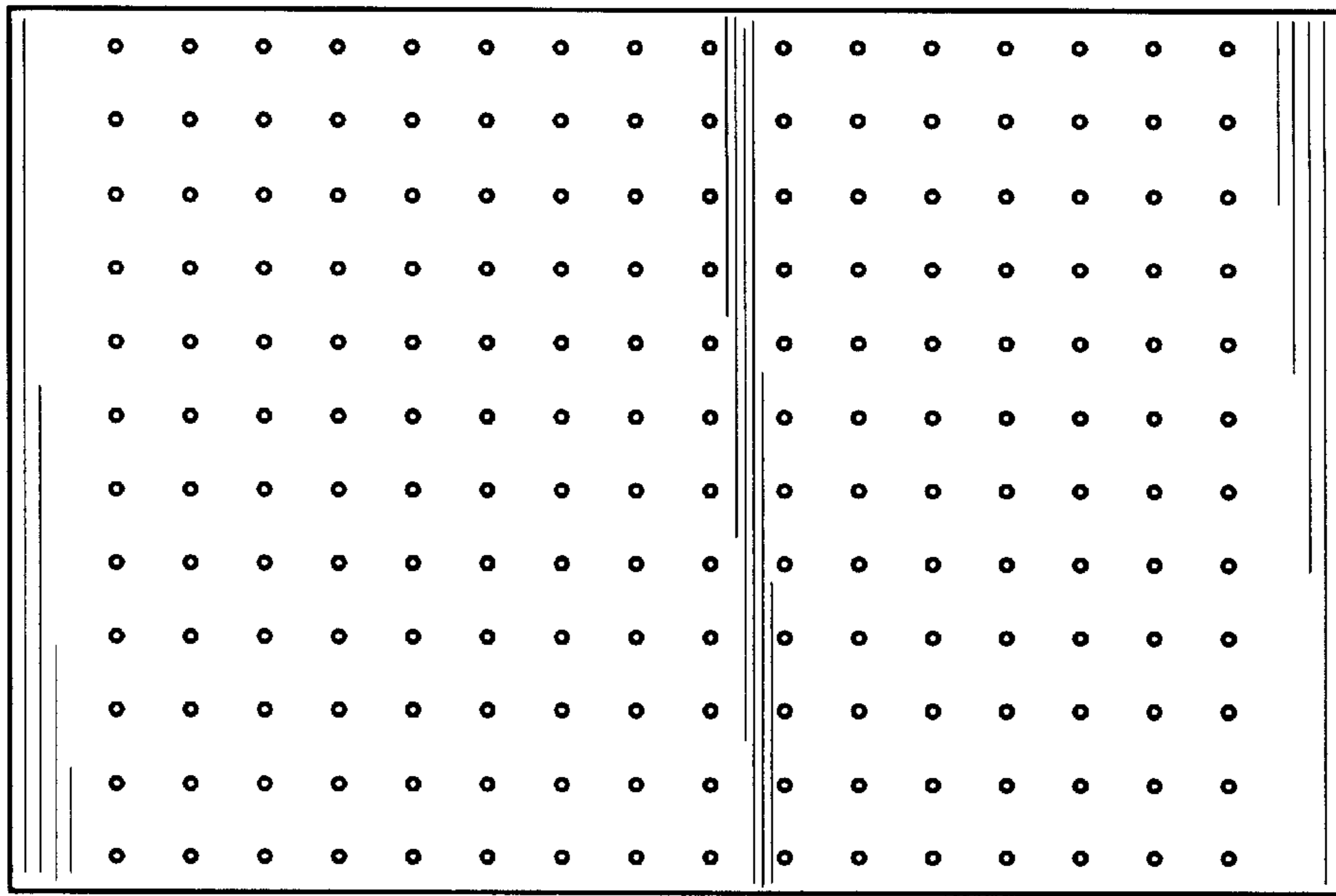


FIG. 4

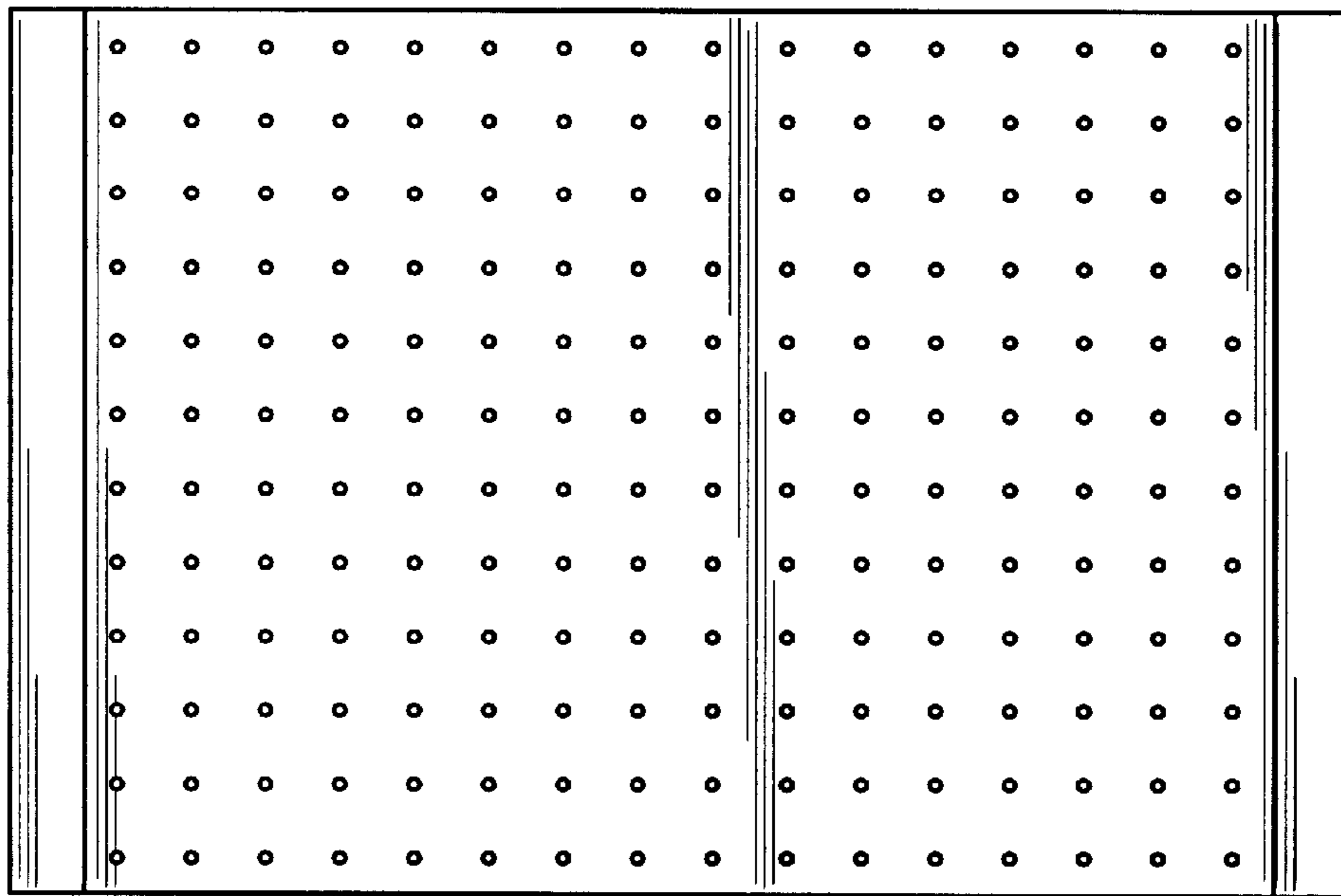


FIG. 5

FIG. 6

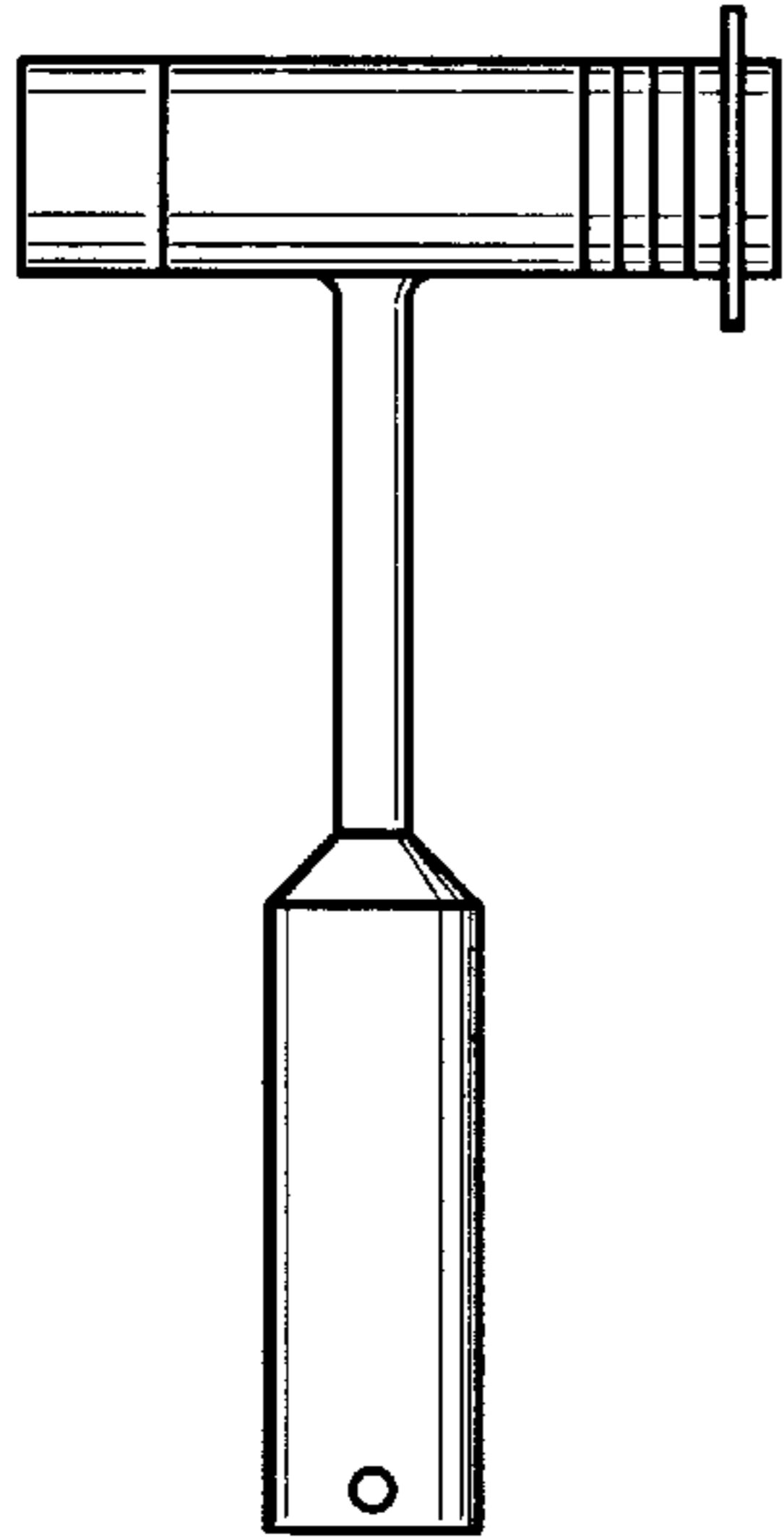


FIG. 7

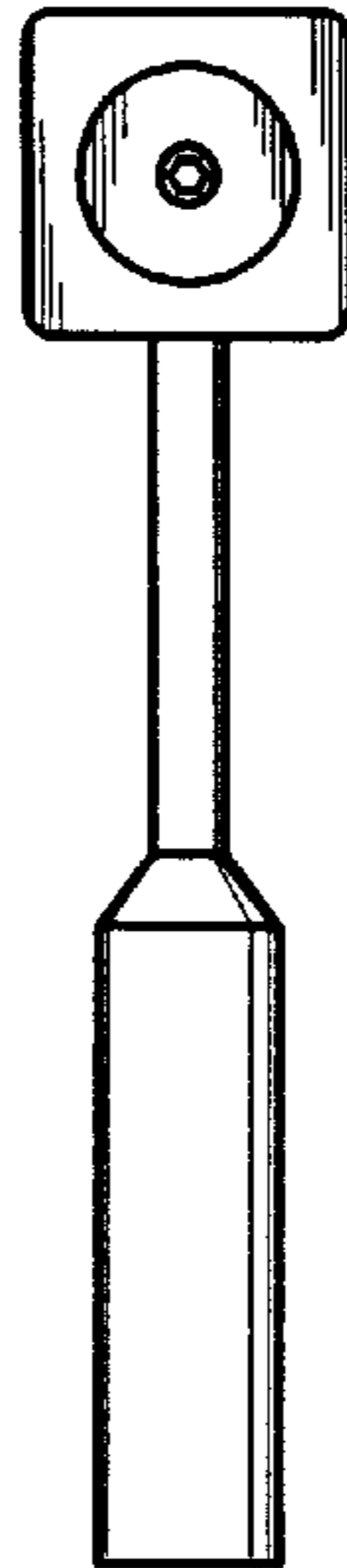


FIG. 8

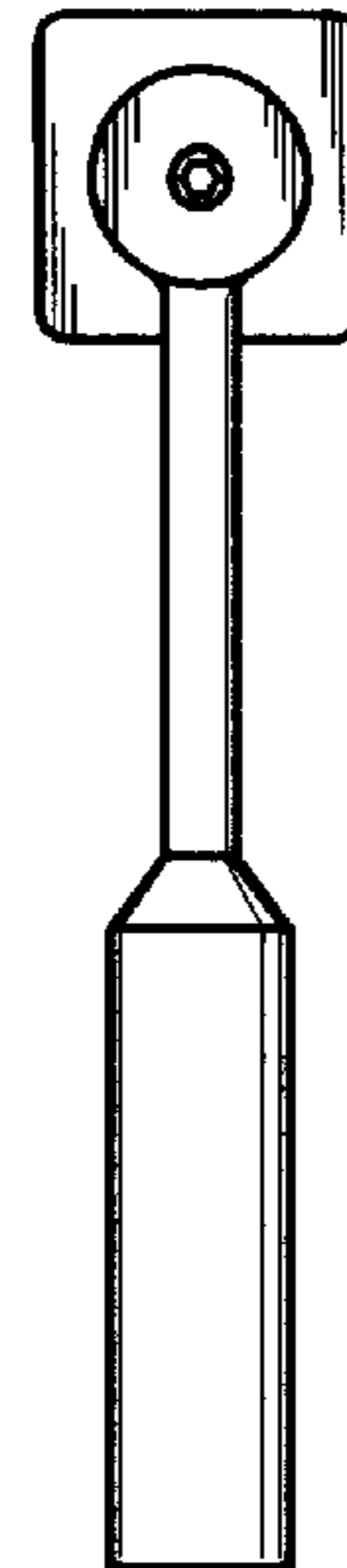


FIG. 9

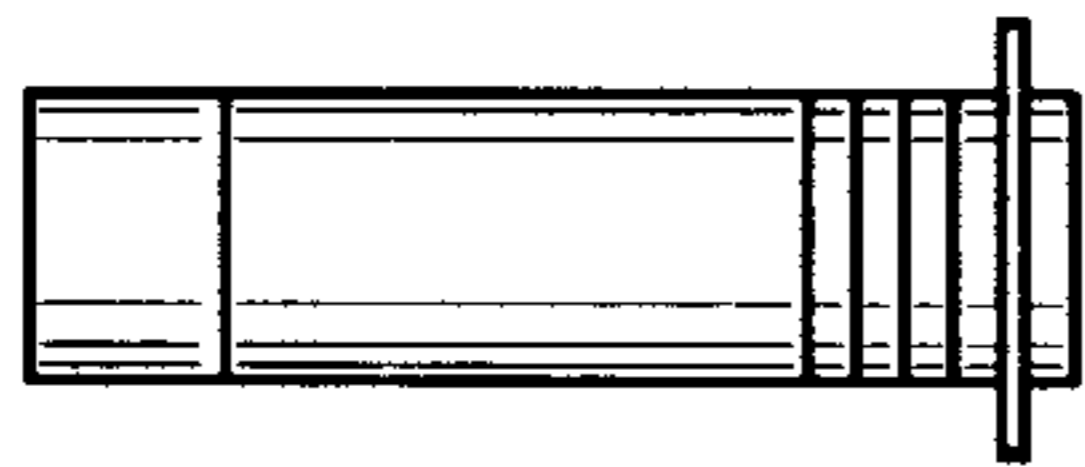


FIG. 10

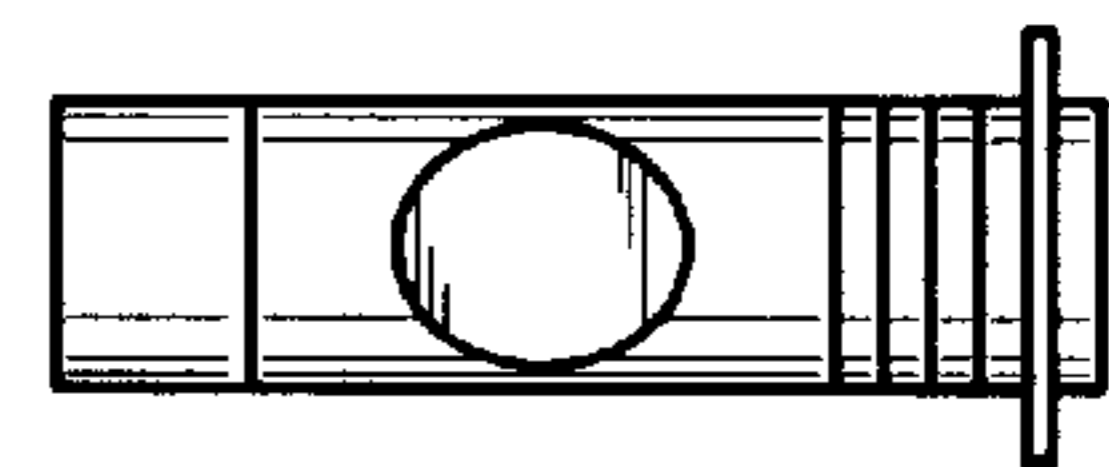


FIG. 11

