



US00D446100S

(12) **United States Design Patent**
Heun

(10) **Patent No.:** **US D446,100 S**

(45) **Date of Patent:** **** Aug. 7, 2001**

(54) **ELECTRIC TRIMMER**

(75) **Inventor:** **Ping Hay Heun, Aberdeen (HK)**

(73) **Assignee:** **Choon Nang Electrical Appliance Mfy., Ltd., Aberdeen (HK)**

(**) **Term:** **14 Years**

(21) **Appl. No.:** **29/134,529**

(22) **Filed:** **Dec. 26, 2000**

(30) **Foreign Application Priority Data**

Jun. 30, 2000 (GB) 2093907

(51) **LOC (7) Cl.** **08-01**

(52) **U.S. Cl.** **D8/61**

(58) **Field of Search** D8/61-70; 81/57.11, 81/469, 474, 54, 57.42; 173/170, 217, 169, 146, 213, 316; 408/239 R, 124; 15/3.53; 451/344, 357-359; 310/50

(56) **References Cited**

U.S. PATENT DOCUMENTS

- D. 310,470 * 9/1990 Tohdoh D8/62
- D. 322,206 * 12/1991 Fukuda et al. D8/64
- D. 343,560 * 1/1994 McCambridge D8/61
- D. 364,790 * 12/1995 Duennes D8/61
- D. 376,083 * 12/1996 Verdura et al. D8/61

- D. 380,658 * 7/1997 Bruno et al. D8/61
- D. 404,626 * 1/1999 Hall et al. D8/68
- D. 432,379 * 10/2000 Sun D8/70
- D. 433,905 * 11/2000 Cooper D8/61
- D. 437,757 * 2/2001 Thomson et al. D8/61
- D. 439,122 * 3/2001 Adler et al. D8/61
- 4,878,404 * 11/1989 Liao 81/54
- 6,126,370 * 10/2000 Wheeler et al. 408/239 R

* cited by examiner

Primary Examiner—Jeffrey Asch

(74) *Attorney, Agent, or Firm*—Leydig, Voit & Mayer, Ltd.

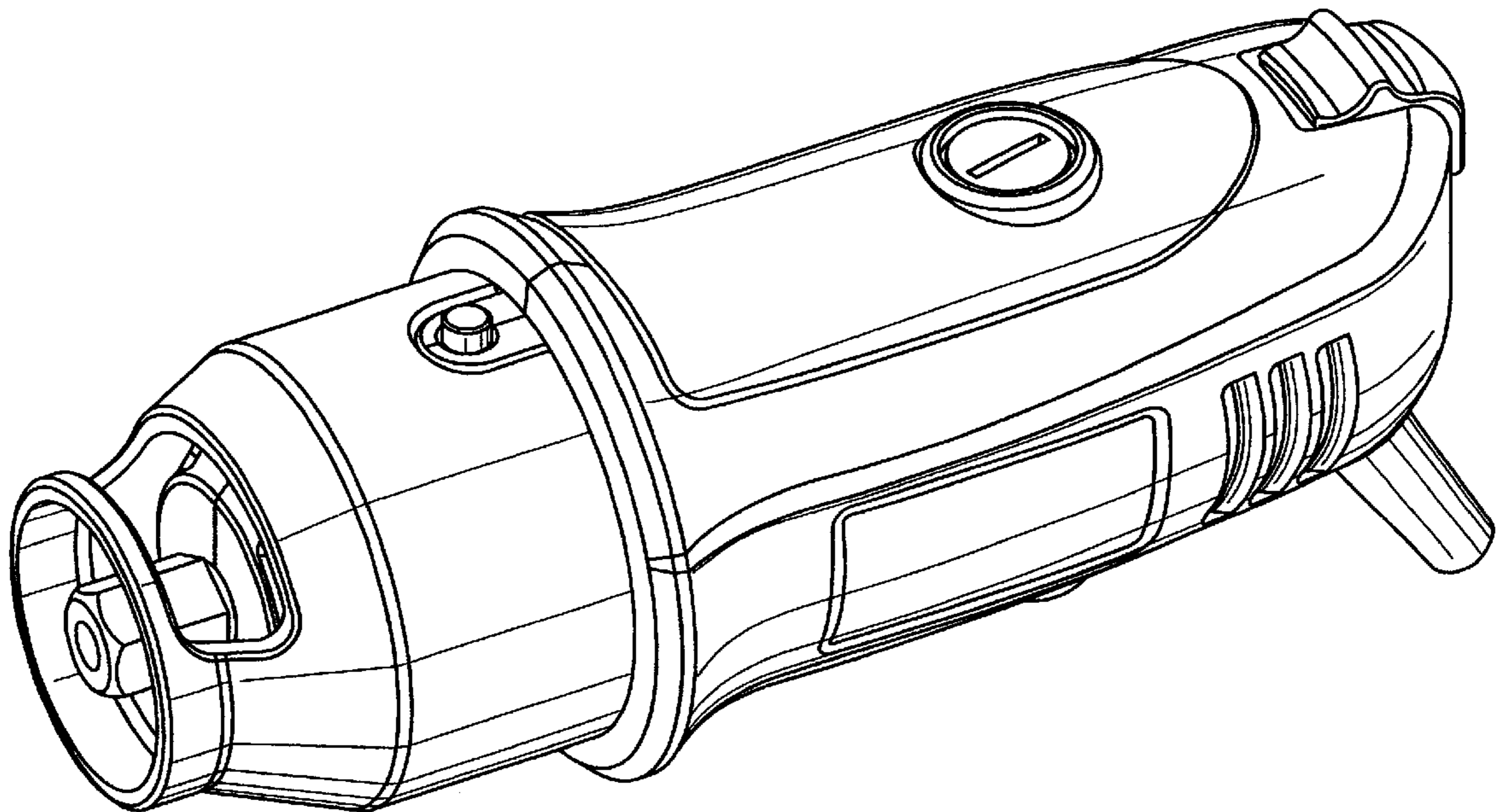
(57) **CLAIM**

The ornamental design for an electric trimmer, as shown and described.

DESCRIPTION

FIG. 1 is a front end, one side and top perspective view of an electric trimmer showing my new design;
 FIG. 2 is a rear end, one side and bottom perspective view thereof;
 FIG. 3 is an elevational view showing one side thereof;
 FIG. 4 is an elevational view showing opposite side thereof;
 FIG. 5 is a top plan view thereof;
 FIG. 6 is a bottom plan view thereof;
 FIG. 7 is a front end elevational view thereof; and,
 FIG. 8 is a rear end elevational view thereof.

1 Claim, 5 Drawing Sheets



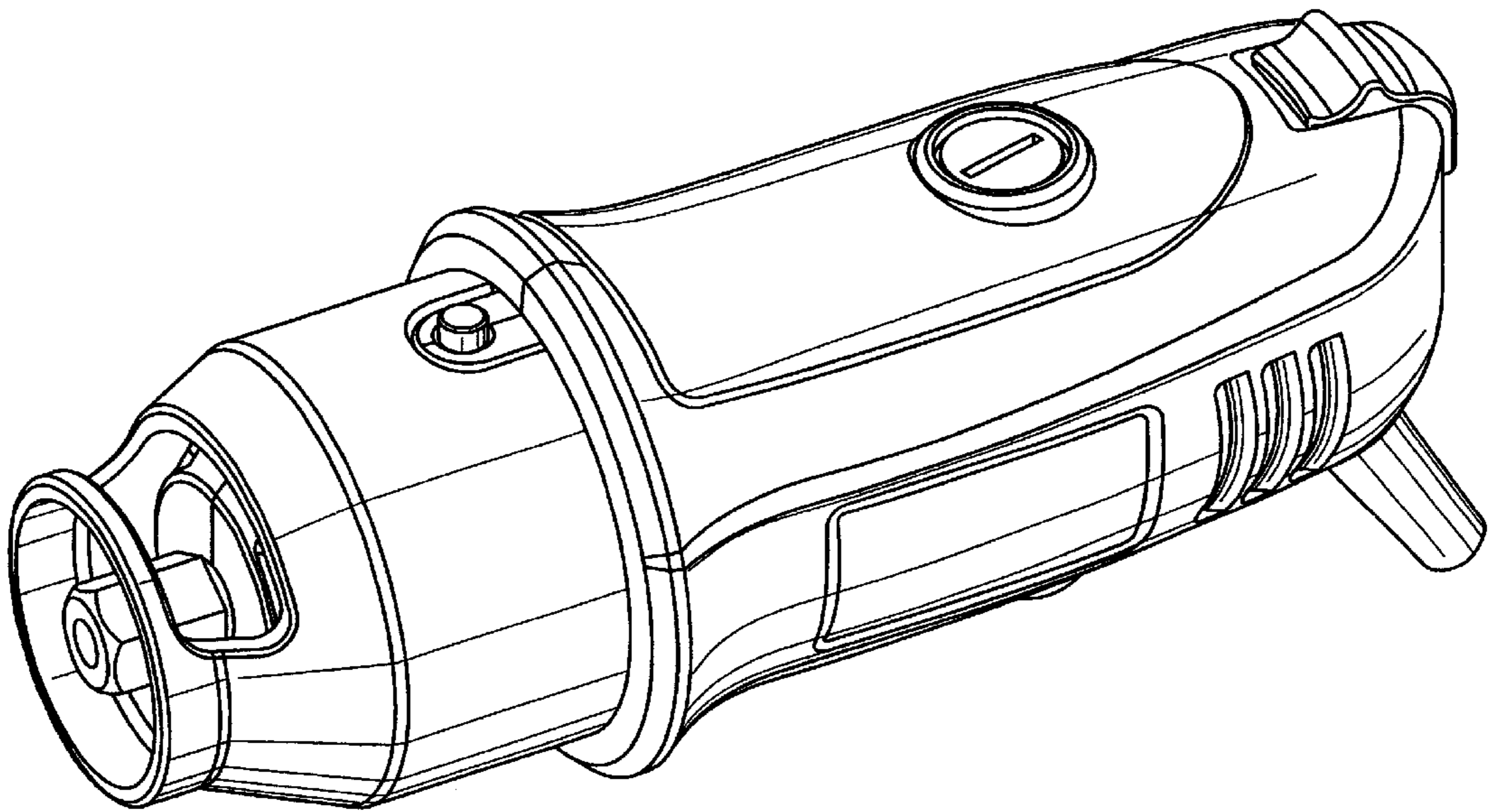


FIG. 1

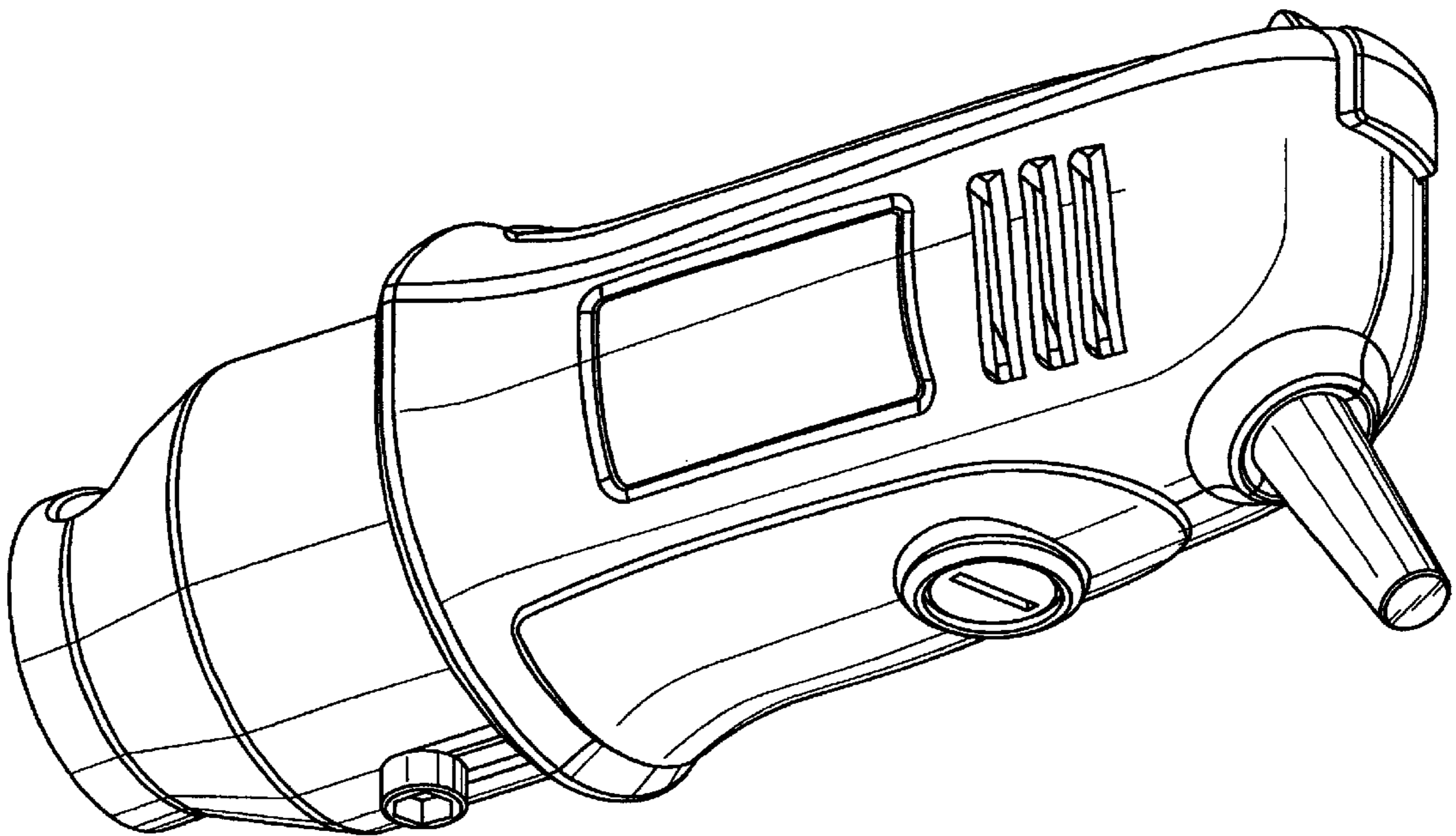


FIG. 2

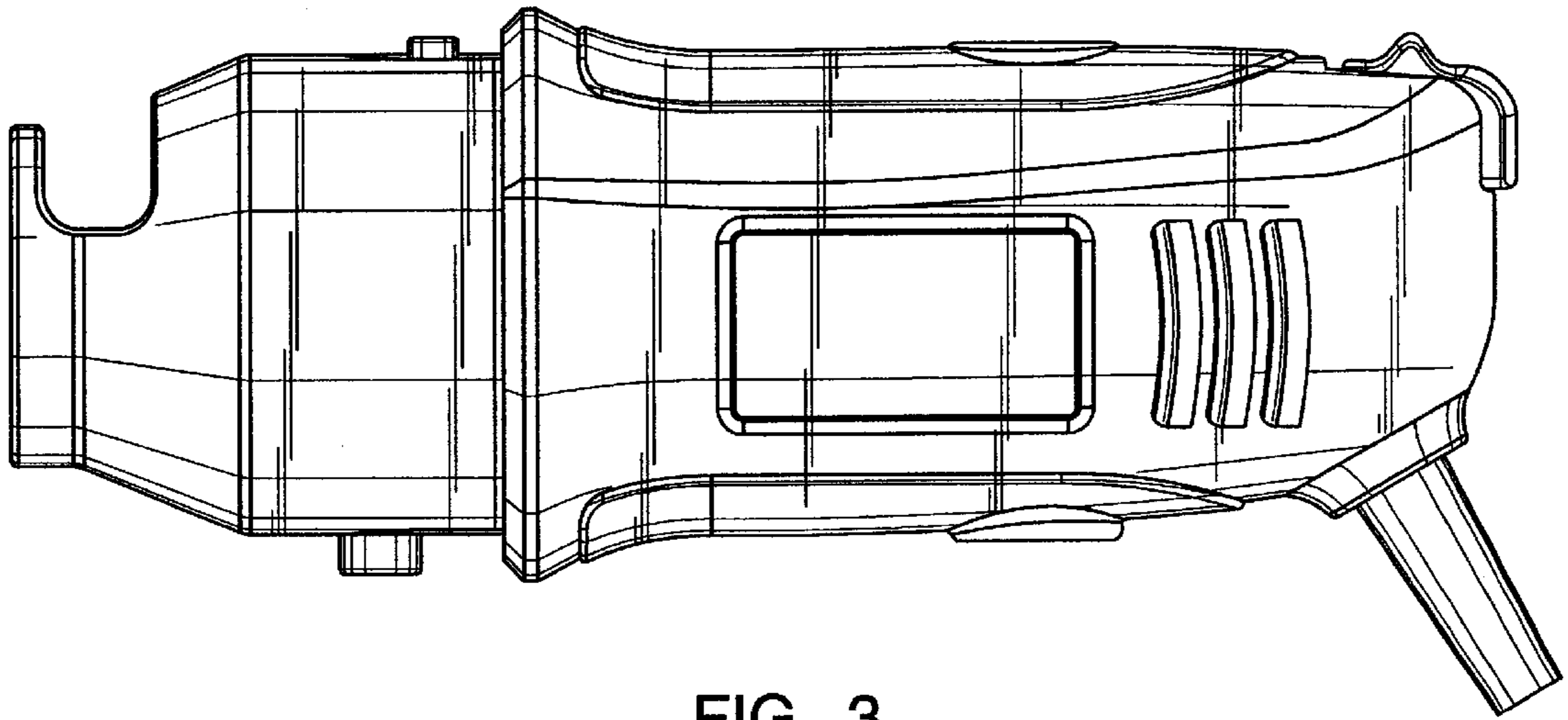


FIG. 3

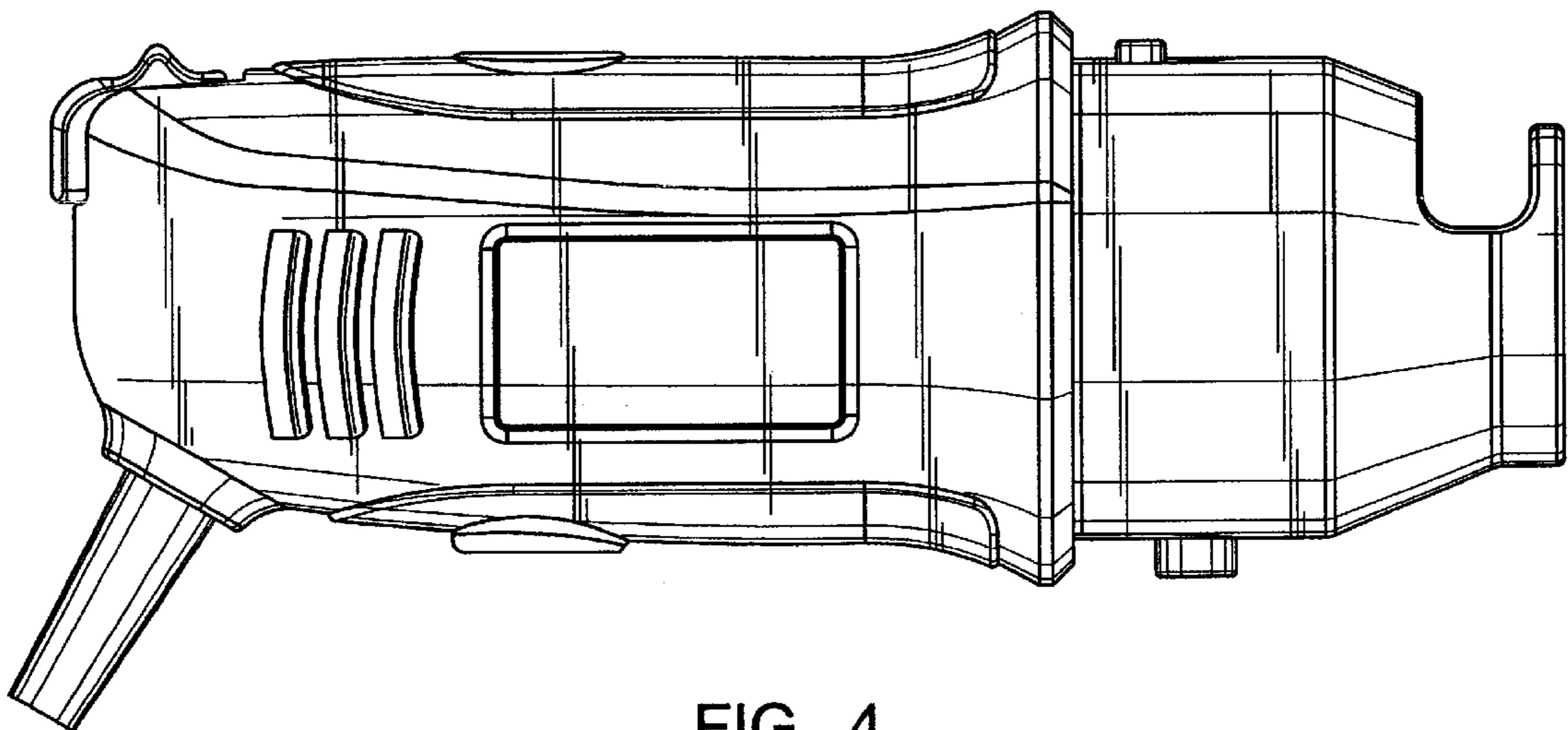


FIG. 4

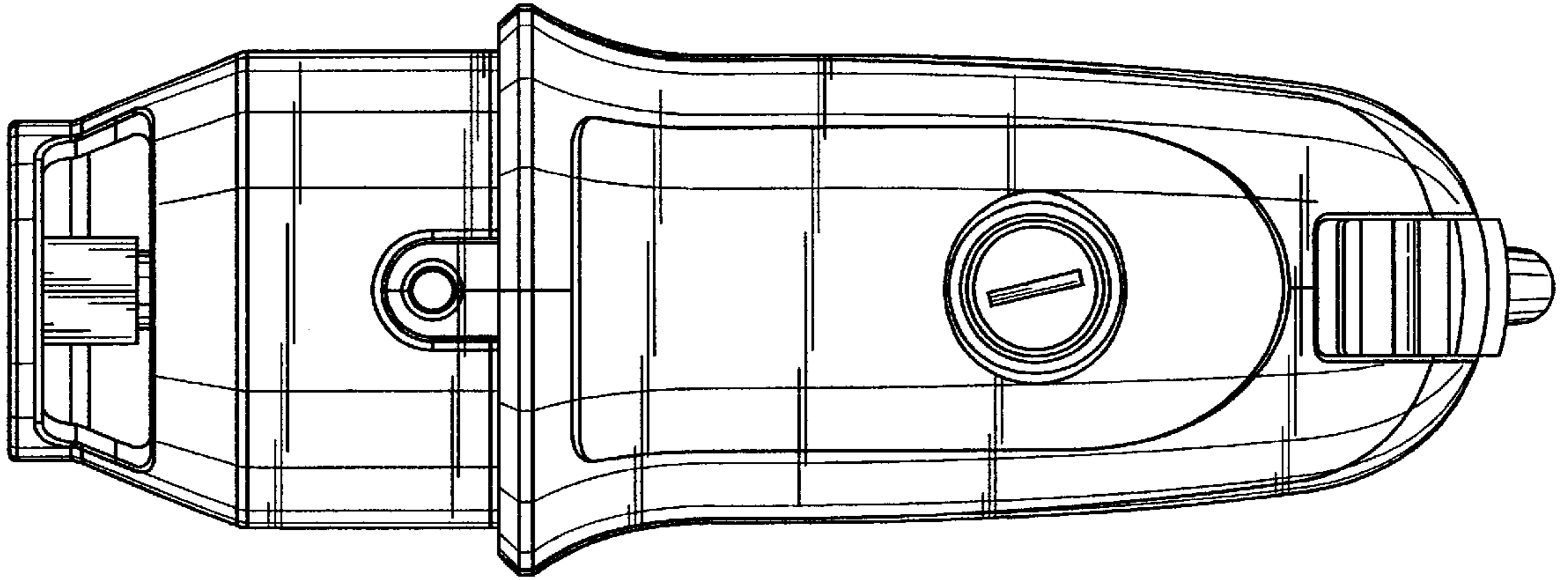


FIG. 5

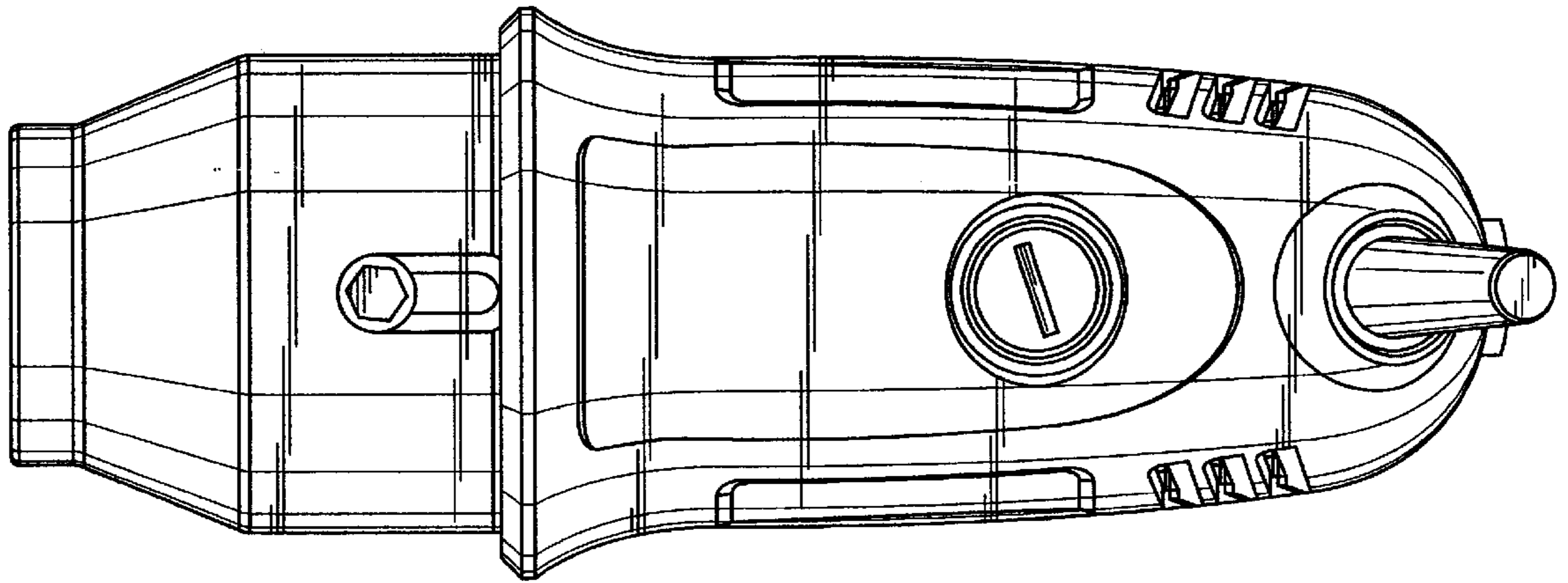


FIG. 6

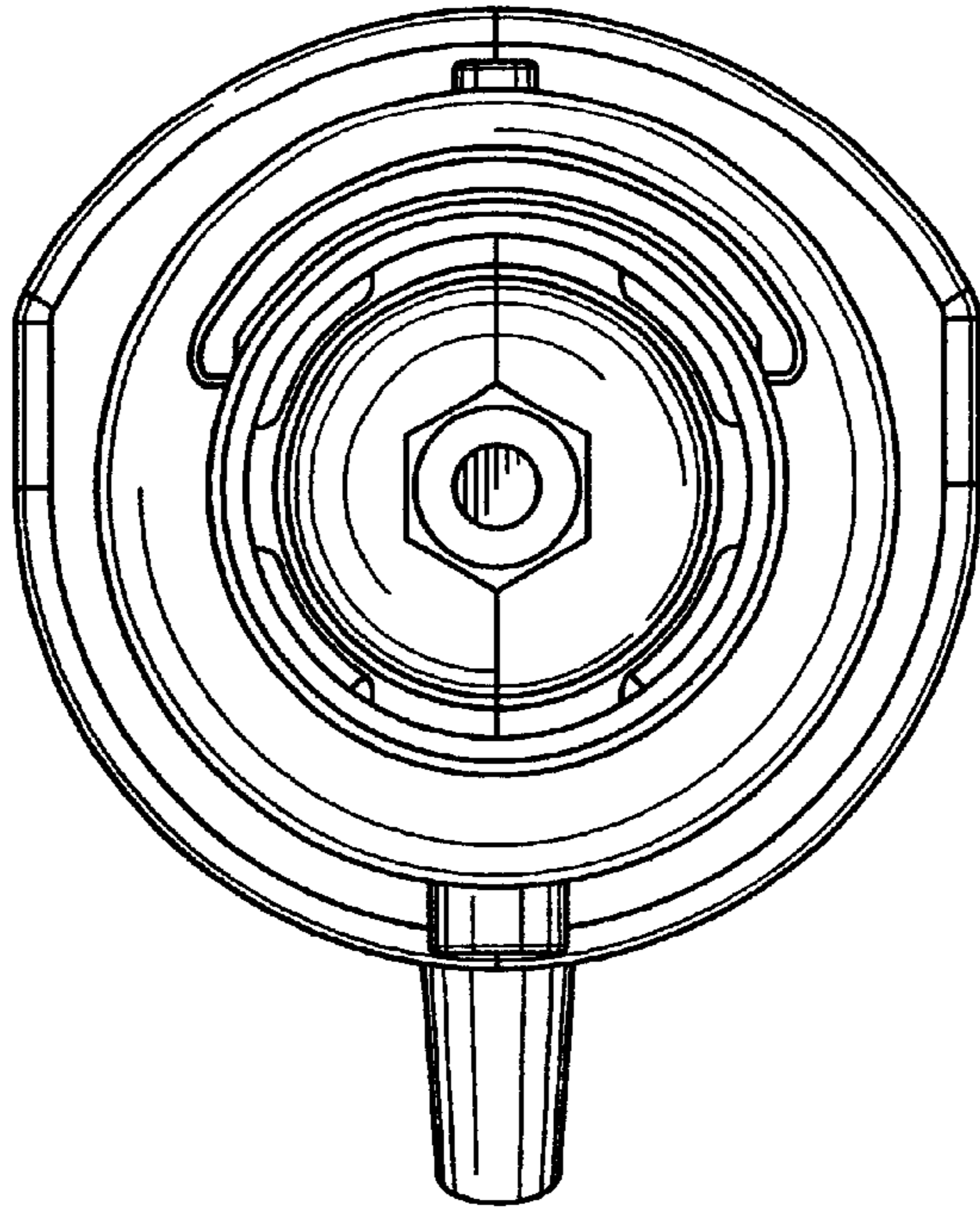


FIG. 7

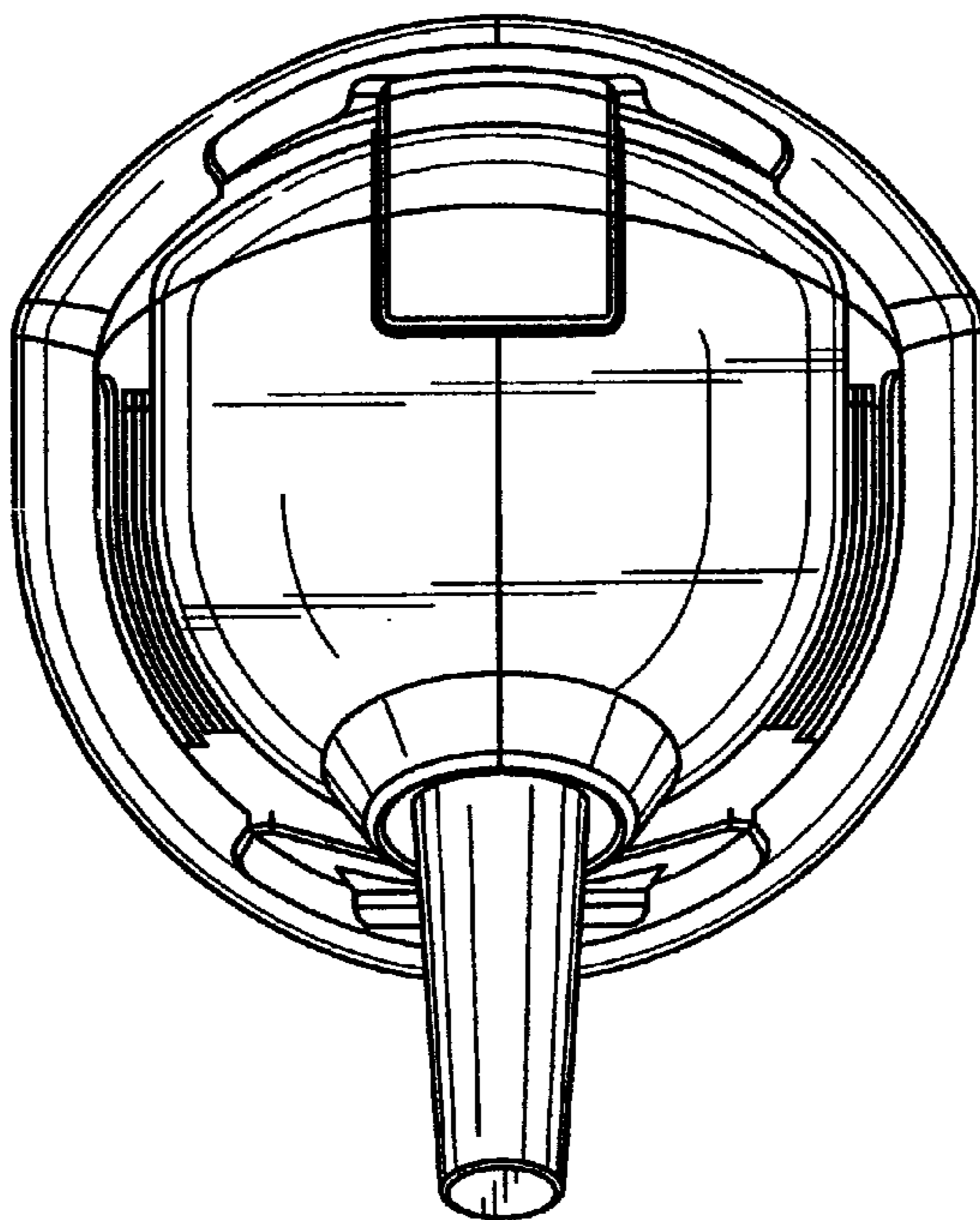


FIG. 8