



US00D446094S

(12) **United States Design Patent**
Ebert

(10) **Patent No.:** **US D446,094 S**

(45) **Date of Patent:** **** Aug. 7, 2001**

(54) **SNIP-CUT SHEARS**

D. 426,755 * 6/2000 Wu D8/5
6,189,219 * 2/2001 Mock 30/252

(75) Inventor: **Winfried Ebert**, Weibern (DE)

* cited by examiner

(73) Assignee: **Wolcraft GmbH**, Kempenich (DE)

Primary Examiner—Robin V. Taylor

(**) Term: **14 Years**

(74) *Attorney, Agent, or Firm*—Schiff Hardin & Waite

(21) Appl. No.: **29/128,681**

(57) **CLAIM**

(22) Filed: **Aug. 29, 2000**

The ornamental design for a snip-cut shears, as shown and described.

(30) **Foreign Application Priority Data**

DESCRIPTION

Mar. 6, 2000 (DE) 4 00 02 612

FIG. 1 is a front view of a snip-cut shears in accordance with the present invention;

(51) **LOC (7) Cl.** **08-01**

FIG. 2 is a side view taken from the left side of the snip-cut shears of FIG. 1;

(52) **U.S. Cl.** **D8/5**

FIG. 3 is a side view taken from the right side of the snip-cut shears of FIG. 1;

(58) **Field of Search** D8/1, 4, 5; 30/287,
30/252, 261, 262

FIG. 4 is an end view taken from the cutting end of the snip-cut shears of FIG. 1;

(56) **References Cited**

U.S. PATENT DOCUMENTS

- D. 336,412 * 6/1993 Wensley et al. D8/5
- D. 341,527 * 11/1993 Clivio D8/5
- D. 413,496 * 7/1999 Wu D8/5
- D. 420,555 * 2/2000 Chang D8/5

FIG. 5 is an end view taken from the handle end of the snip-cut shears of FIG. 1; and,

FIG. 6 is a plan view of the back side of the snip-cut shears of FIG. 1.

1 Claim, 2 Drawing Sheets

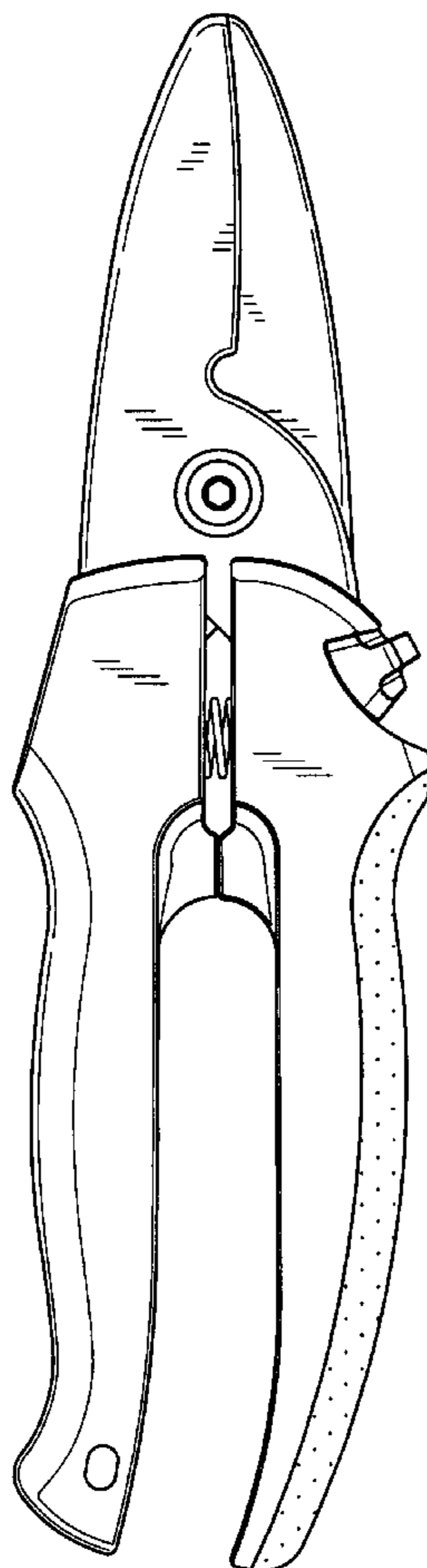


Fig. 5

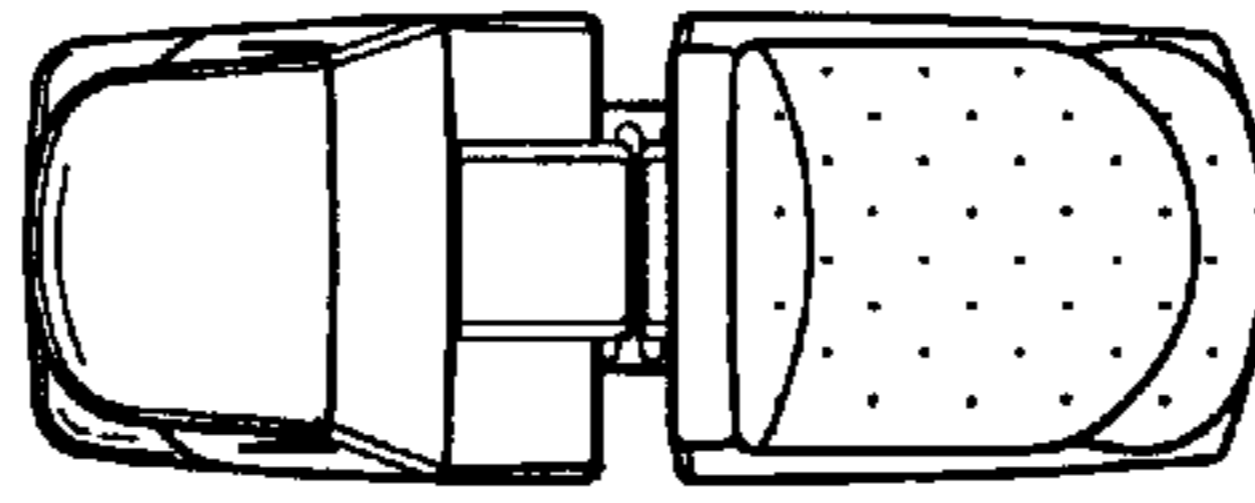


Fig. 3

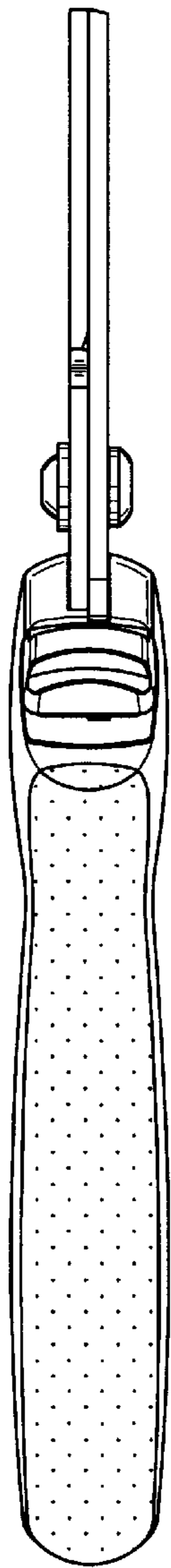


Fig. 1

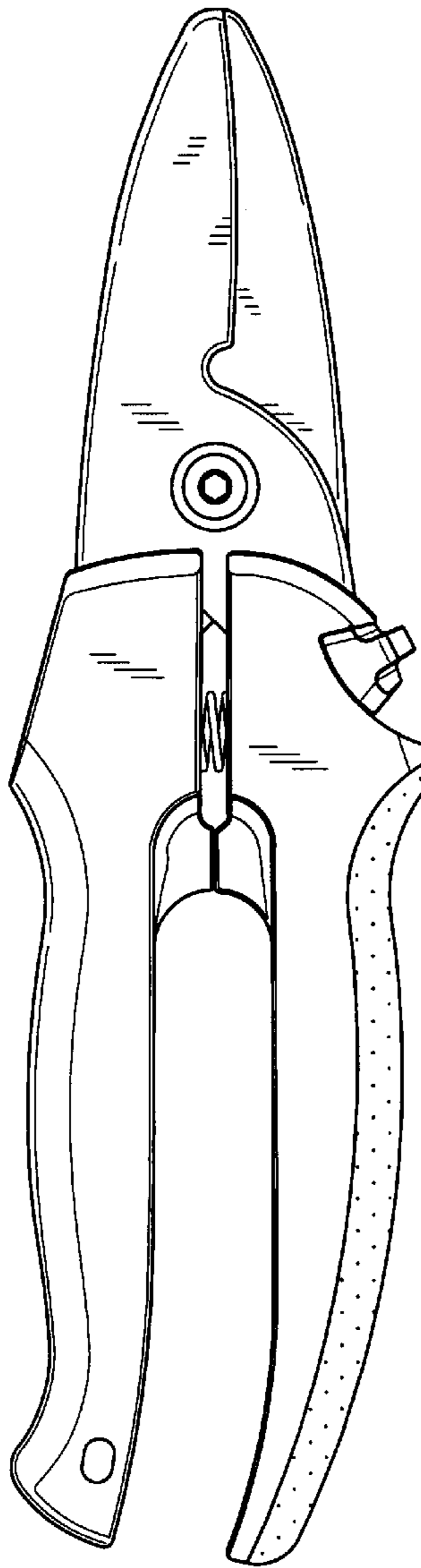


Fig. 2

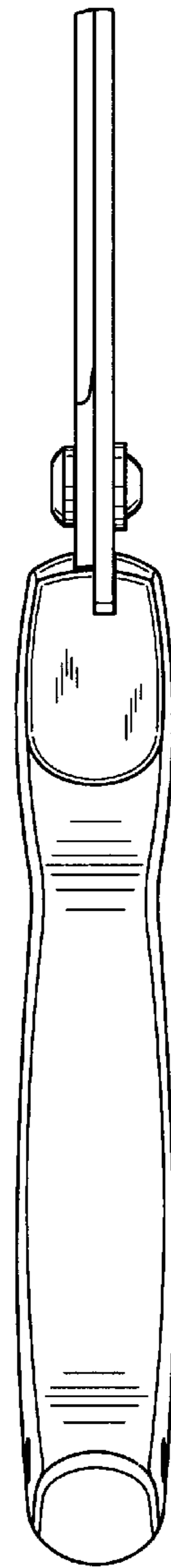
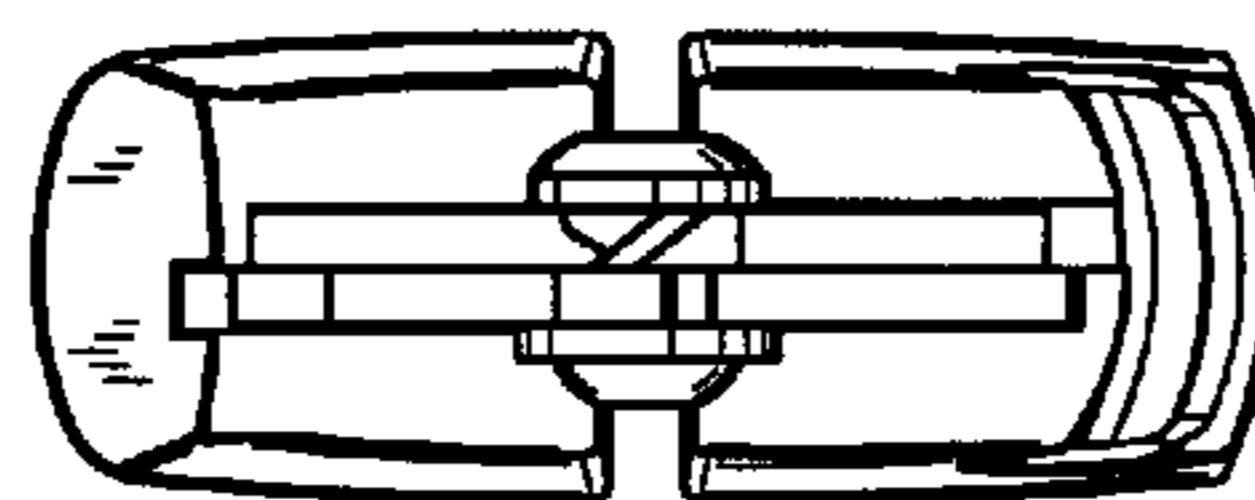


Fig. 4



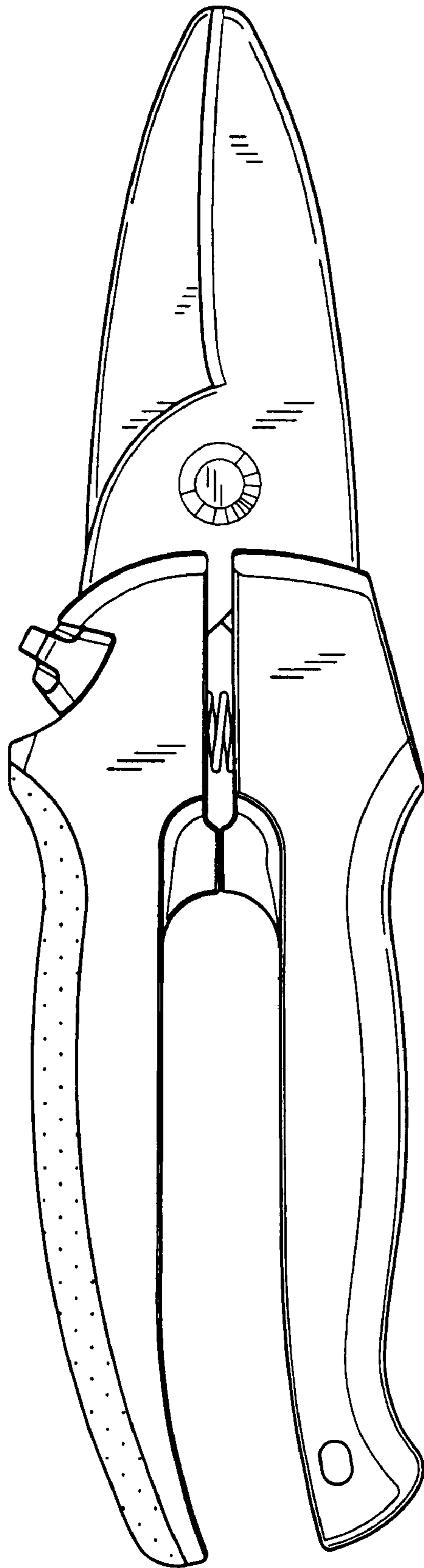


FIG. 6