



US00D446093S

(12) **United States Design Patent**  
**Moon**

(10) **Patent No.:** **US D446,093 S**

(45) **Date of Patent:** **\*\* Aug. 7, 2001**

(54) **PLATE CARRIER**

(76) **Inventor:** **John Moon**, 9774 Erin Way, Santee,  
CA (US) 92071

(\*\*) **Term:** **14 Years**

(21) **Appl. No.:** **29/130,588**

(22) **Filed:** **Oct. 4, 2000**

(51) **LOC (7) Cl.** ..... **07-99**

(52) **U.S. Cl.** ..... **D7/708**

(58) **Field of Search** ..... D7/501, 701, 707,  
D7/708; D6/455, 460, 474; 211/71.01, 74,  
41.2, 85.23, 129.1, 205; 294/143, 161;  
248/159, 165, 188.4

(56) **References Cited**

**U.S. PATENT DOCUMENTS**

D. 170,763	11/1953	Meepos .
D. 178,029	6/1956	Warren .
300,755	6/1884	Benedict .
593,889	11/1897	Horn .
953,007	3/1910	Haller .
1,167,934	1/1916	Róth .
2,507,951	6/1950	Barnes .

3,146,906	9/1964	Swett .	
3,782,296	*	1/1974	Moretini ..... 211/128.1
5,178,286		1/1993	Allison, III .
5,251,399	*	10/1993	Rasmussen ..... 211/88.03
5,746,334		5/1998	Brandenberg .
5,894,944		4/1999	Swift .

\* cited by examiner

*Primary Examiner*—Terry A. Wallace

(74) *Attorney, Agent, or Firm*—Eric Karich

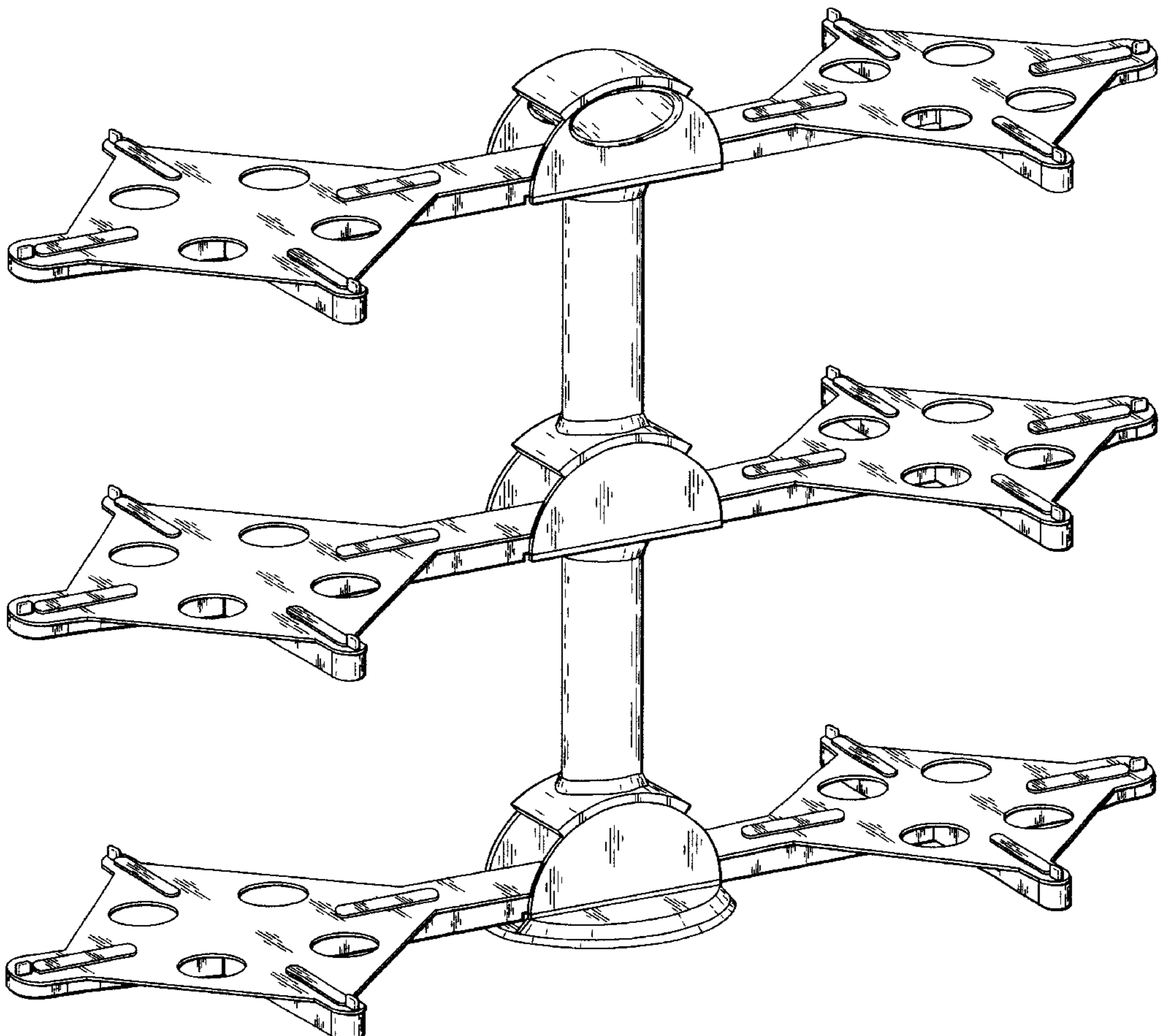
(57) **CLAIM**

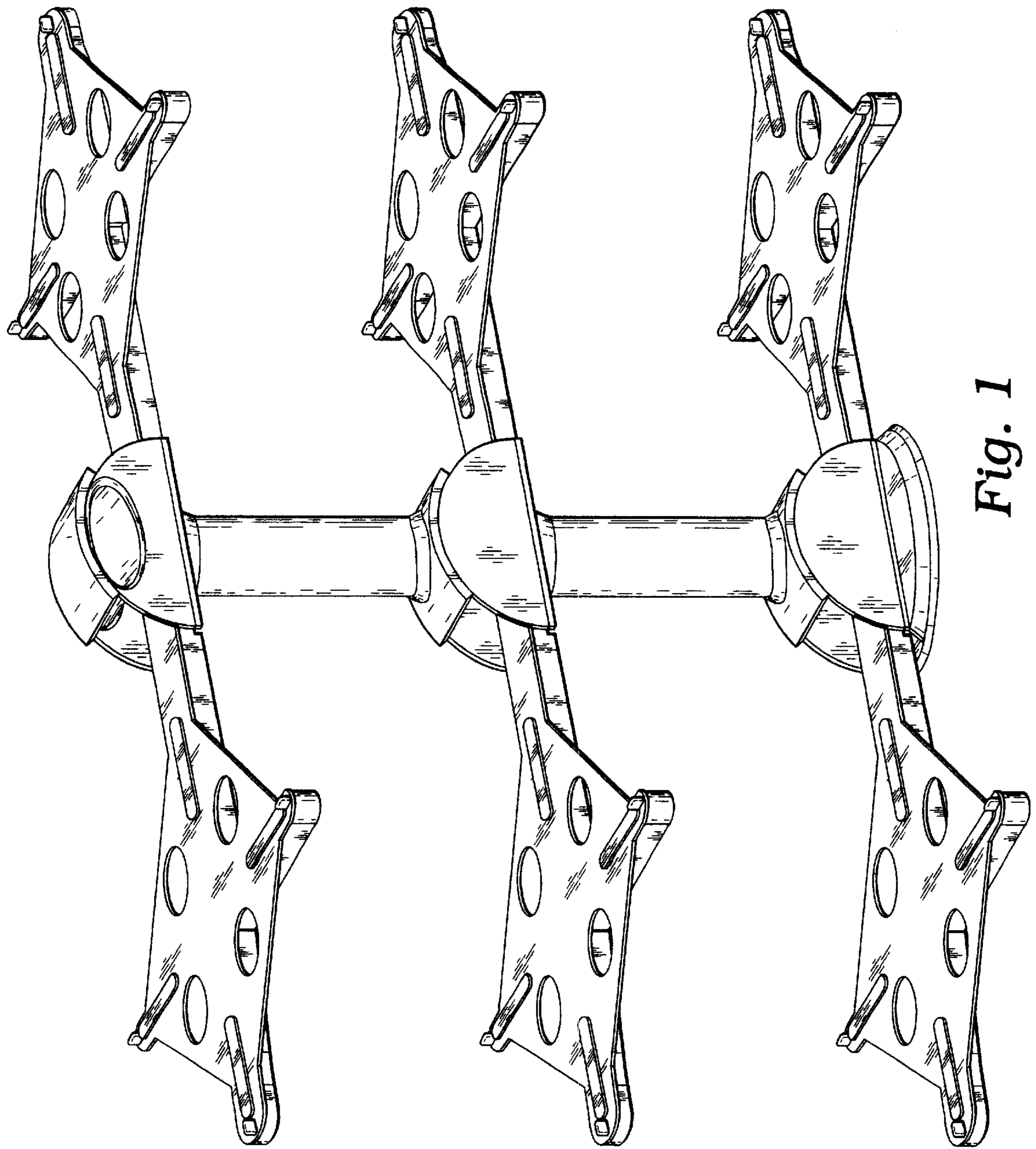
The ornamental design for a plate carrier, as shown and described.

**DESCRIPTION**

FIG. 1 is a perspective view of a plate carrier, showing my new design;  
FIG. 2 is a front elevational view thereof, the rear elevational view being a mirror image thereof;  
FIG. 3 is a top view thereof;  
FIG. 4 is a bottom view thereof; and,  
FIG. 5 is a left side elevational view thereof, the right side elevation view being a mirror image thereof.

**1 Claim, 4 Drawing Sheets**





*Fig. 1*

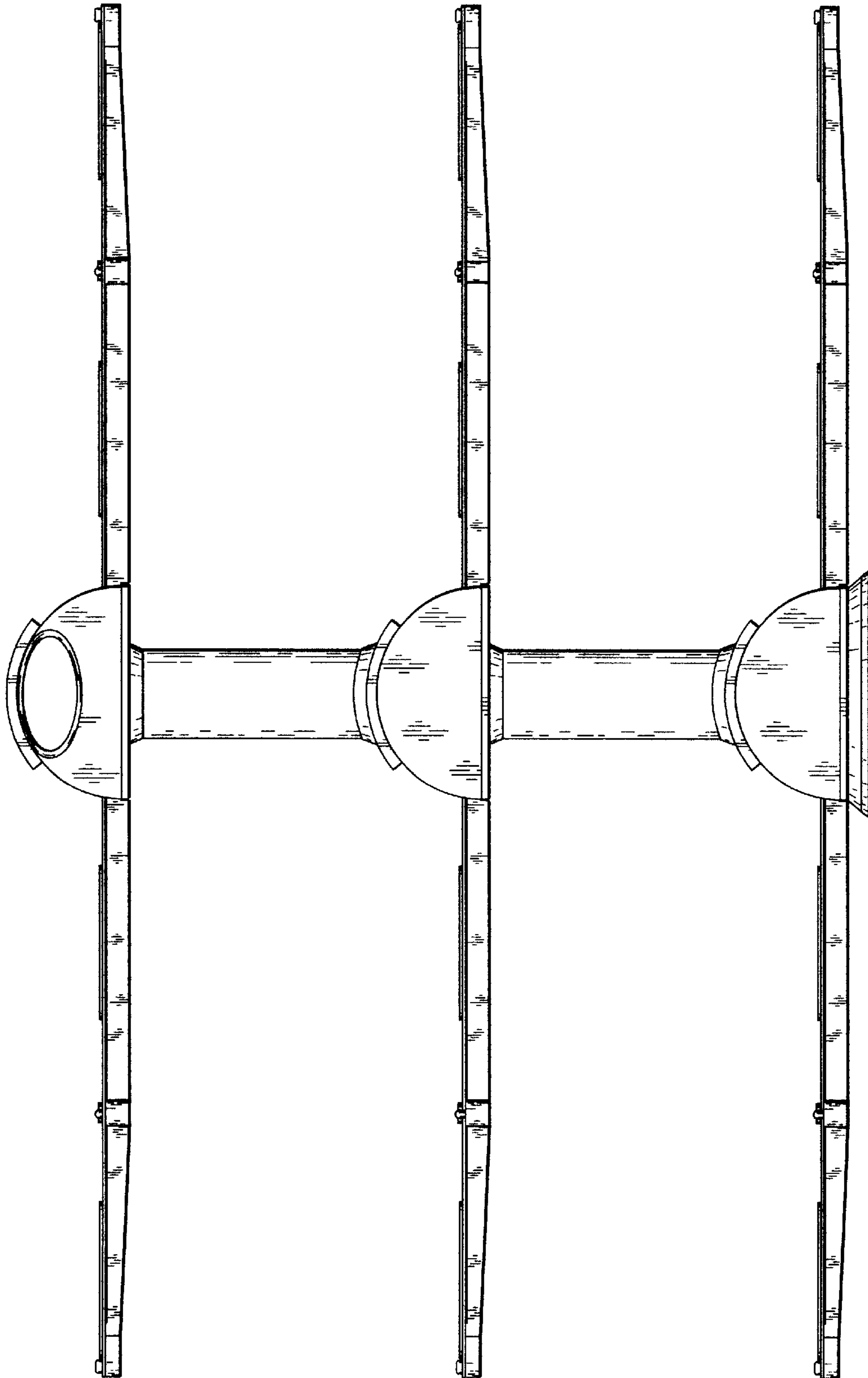
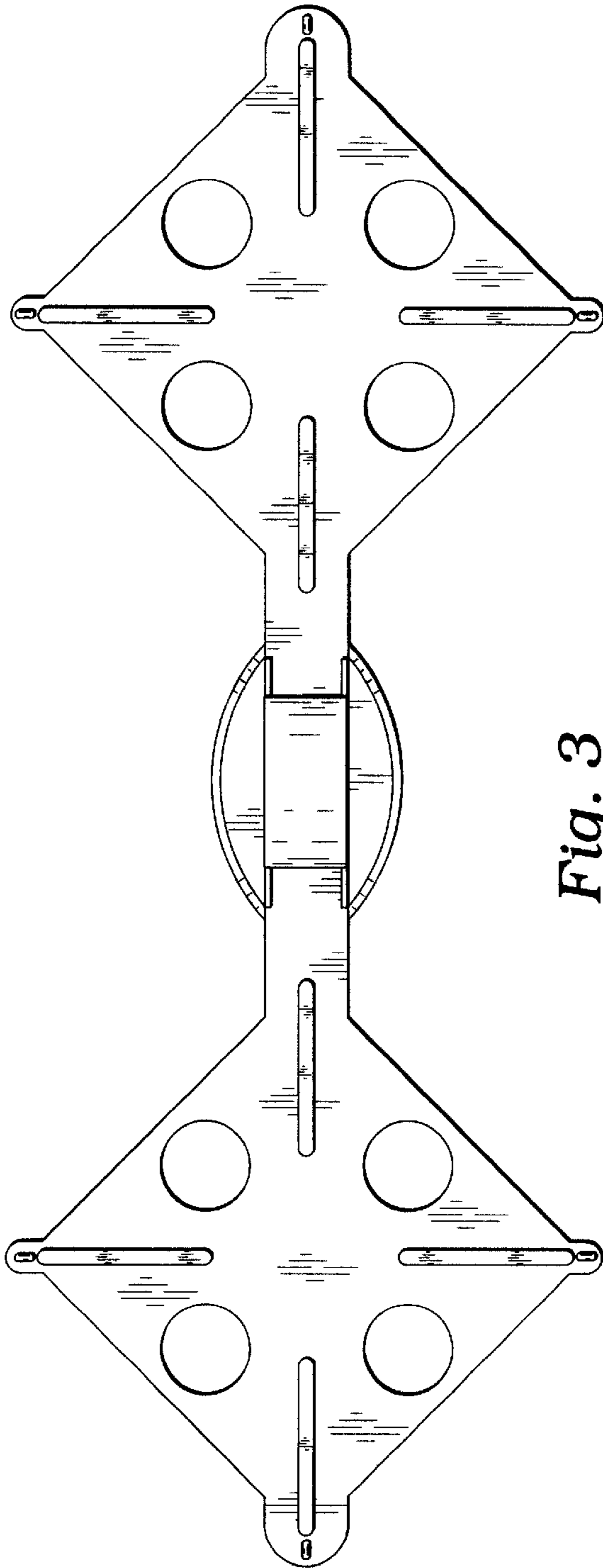
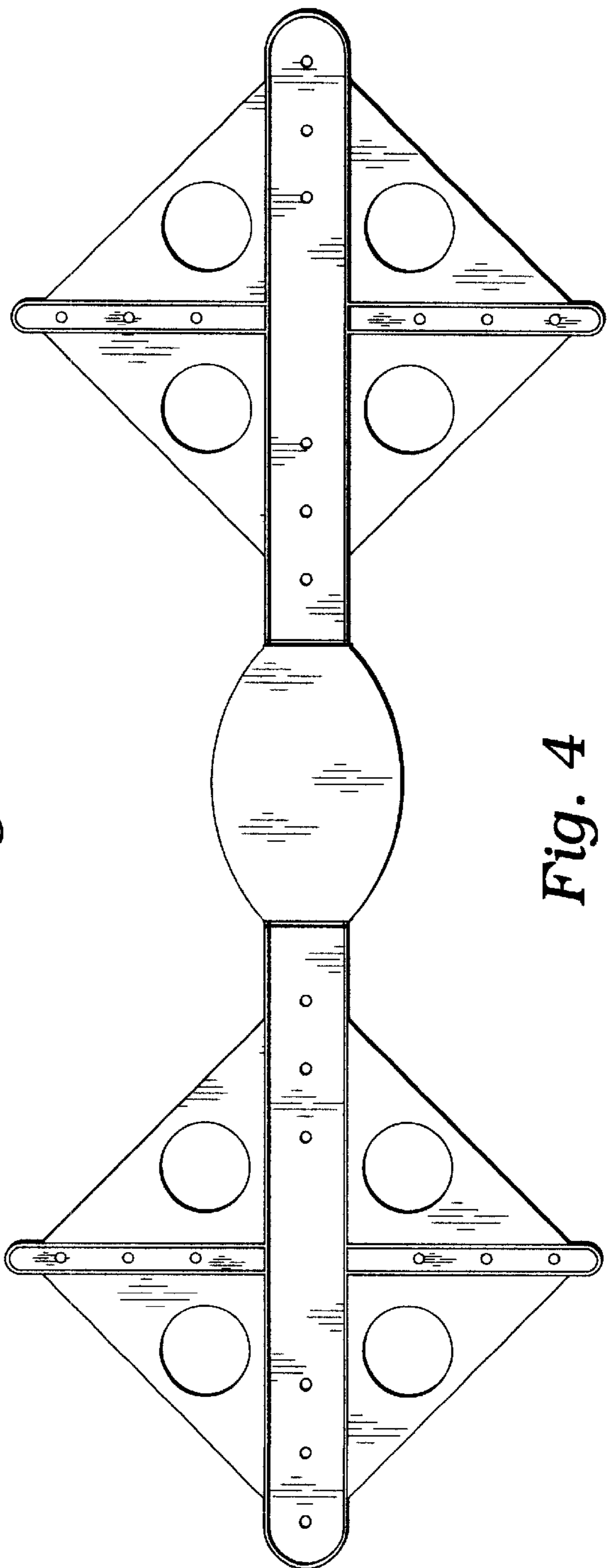


Fig. 2

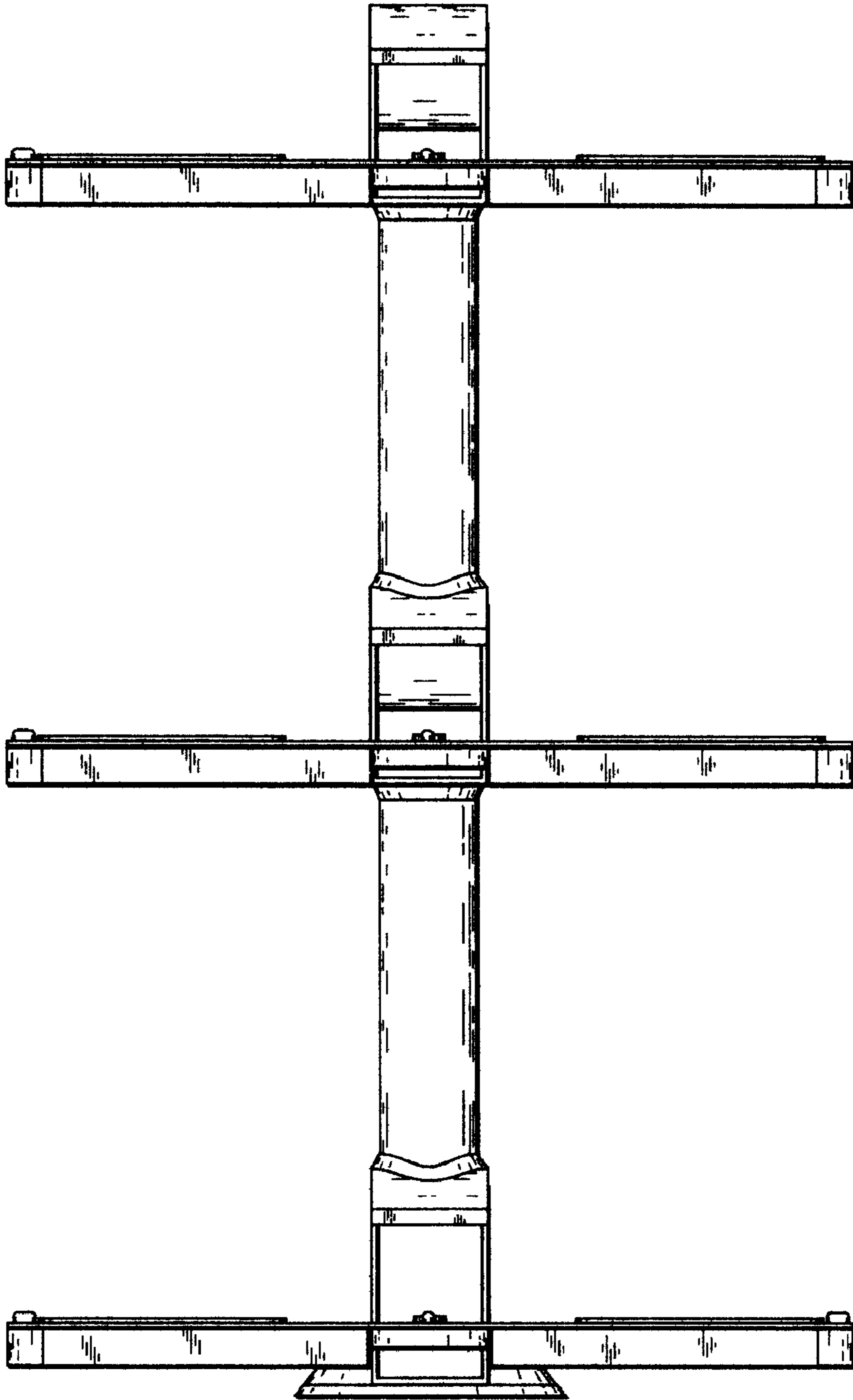


*Fig. 3*



*Fig. 4*





*Fig. 5*