



US00D446081S

(12) **United States Design Patent**  
**Schulein**

(10) **Patent No.:** **US D446,081 S**

(45) **Date of Patent:** **\*\* Aug. 7, 2001**

(54) **CONTAINER**

(75) Inventor: **Rolf Gunter Schulein**, Singhofen (DE)

(73) Assignee: **Leifheit AG**, Nassau (DE)

(\*\*) Term: **14 Years**

(21) Appl. No.: **29/126,600**

(22) Filed: **Jul. 19, 2000**

(30) **Foreign Application Priority Data**

Jan. 19, 2000 (DE) ..... 400 00 326

(51) **LOC (7) Cl.** ..... **07-01**

(52) **U.S. Cl.** ..... **D7/543**

(58) **Field of Search** ..... D7/543, 300, 312,  
D7/316-318, 321, 322; 222/158, 364, 168

(56) **References Cited**

**U.S. PATENT DOCUMENTS**

- D. 252,604 \* 8/1979 Harris ..... D7/300
- D. 395,784 \* 7/1998 Michael ..... D7/318
- D. 419,028 \* 1/2000 Mork et al. .... D7/321
- D. 433,866 \* 11/2000 Cautereels et al. .... D7/319

\* cited by examiner

*Primary Examiner*—Antoine Duval Davis

(74) *Attorney, Agent, or Firm*—Frishauf, Holtz, Goodman, Langer & Chick, P.C.

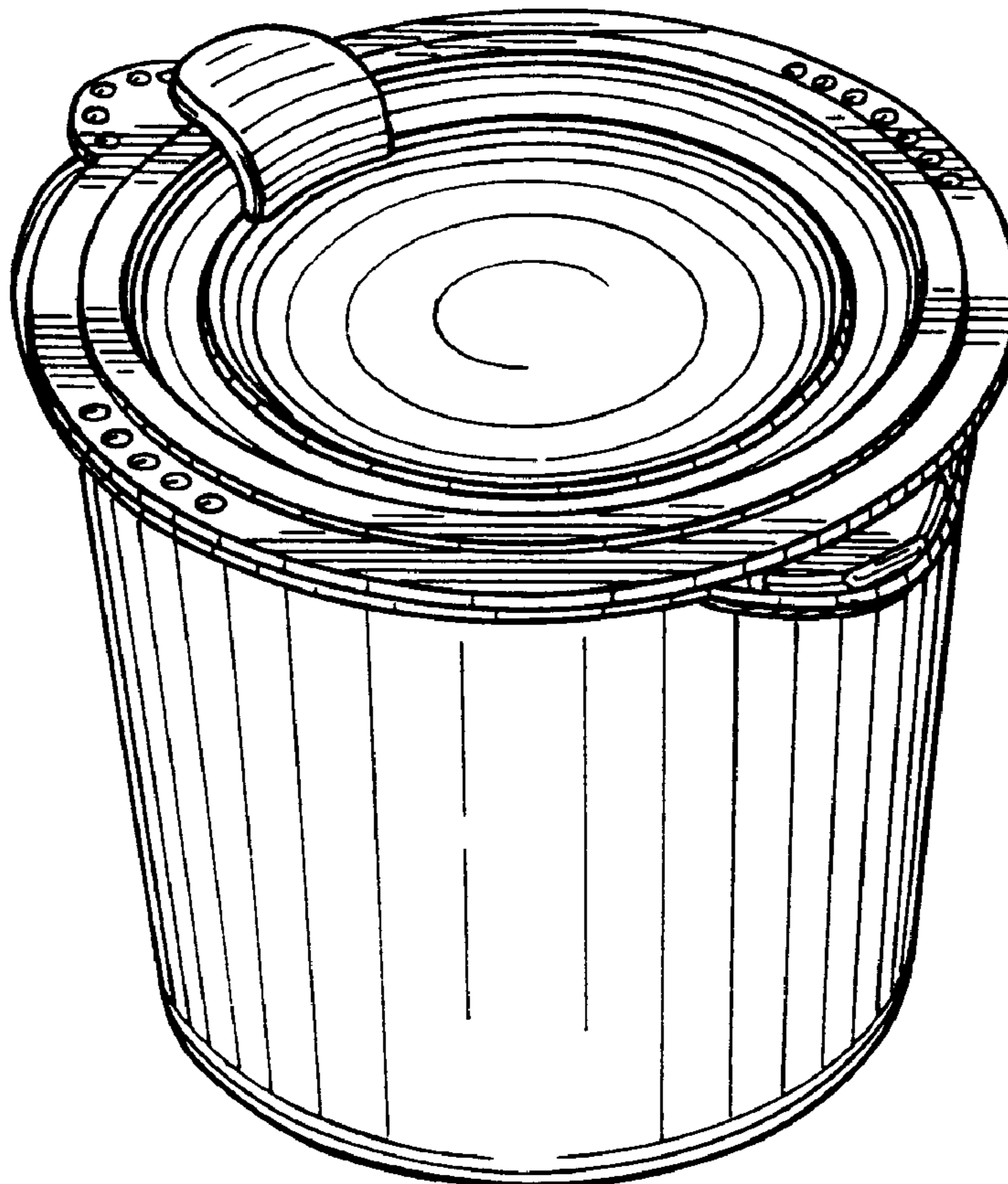
(57) **CLAIM**

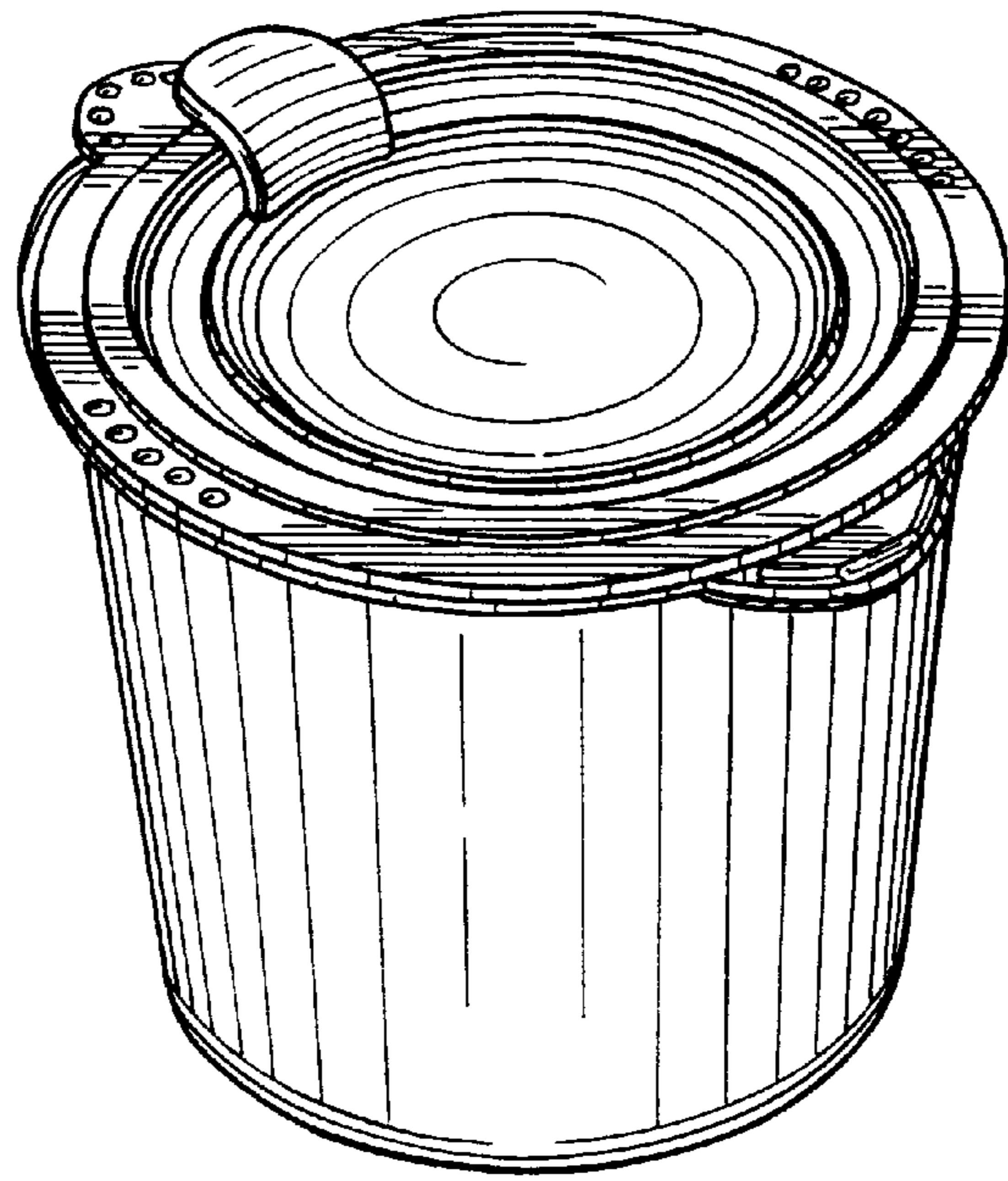
The ornamental design for a container, as shown and described.

**DESCRIPTION**

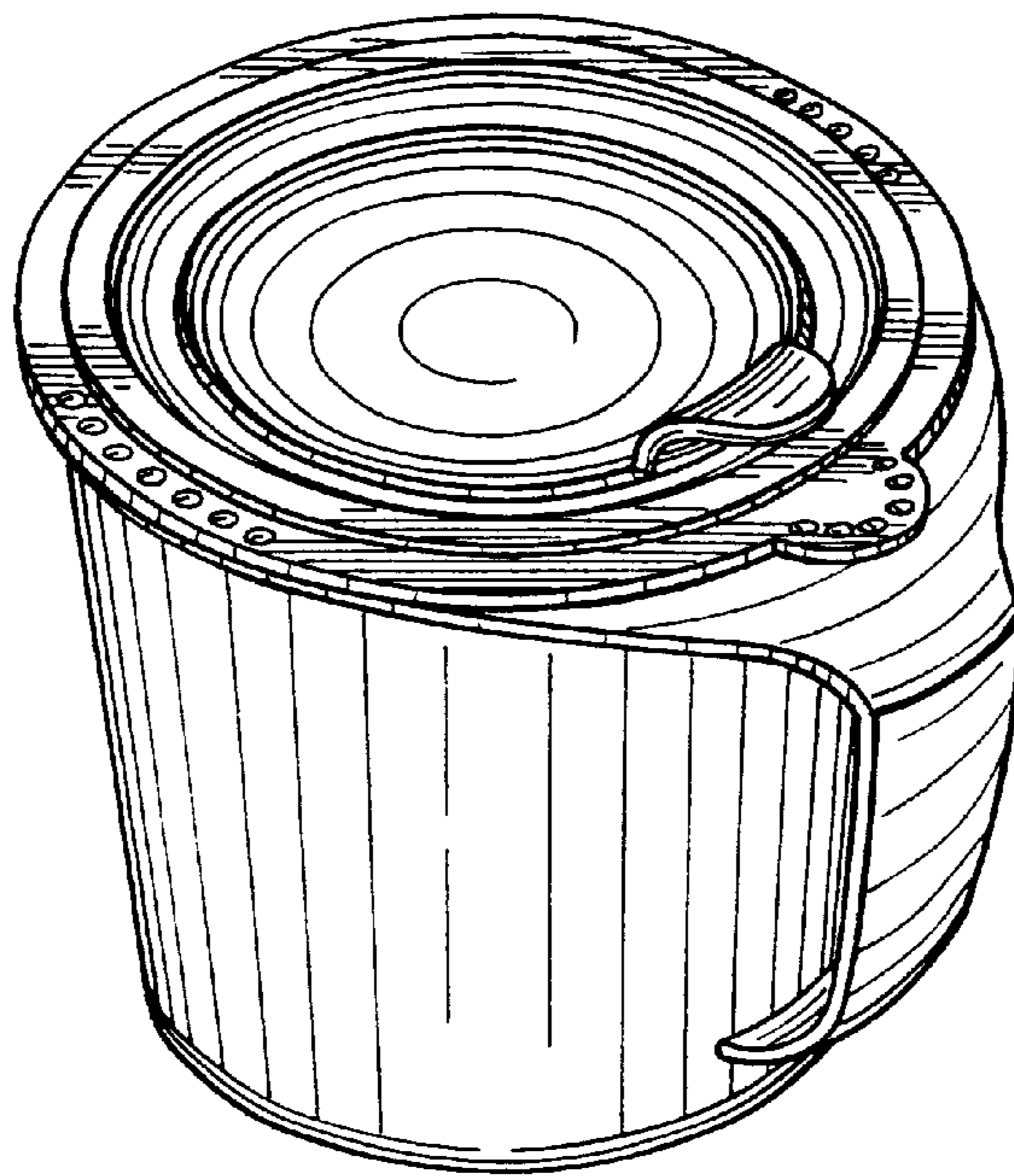
FIG. 1 is a top, front, left side perspective view of a container showing my new design;  
 FIG. 2 is a top, rear, right side perspective view thereof;  
 FIG. 3 is a front elevational view thereof;  
 FIG. 4 is a right side elevational view, the left side being a mirror image thereof;  
 FIG. 5 is a rear elevational view thereof;  
 FIG. 6 is a top plan view thereof;  
 FIG. 7 is a bottom plan view thereof;  
 FIG. 8 is a top, front, left side perspective view of a second embodiment thereof;  
 FIG. 9 is a top, rear, right side perspective view thereof;  
 FIG. 10 is a front elevational view thereof;  
 FIG. 11 is a right side elevational view, the left side being a mirror image thereof;  
 FIG. 12 is a rear elevational view thereof;  
 FIG. 13 is a top plan view thereof; and,  
 FIG. 14 is a bottom plan view.

**1 Claim, 6 Drawing Sheets**

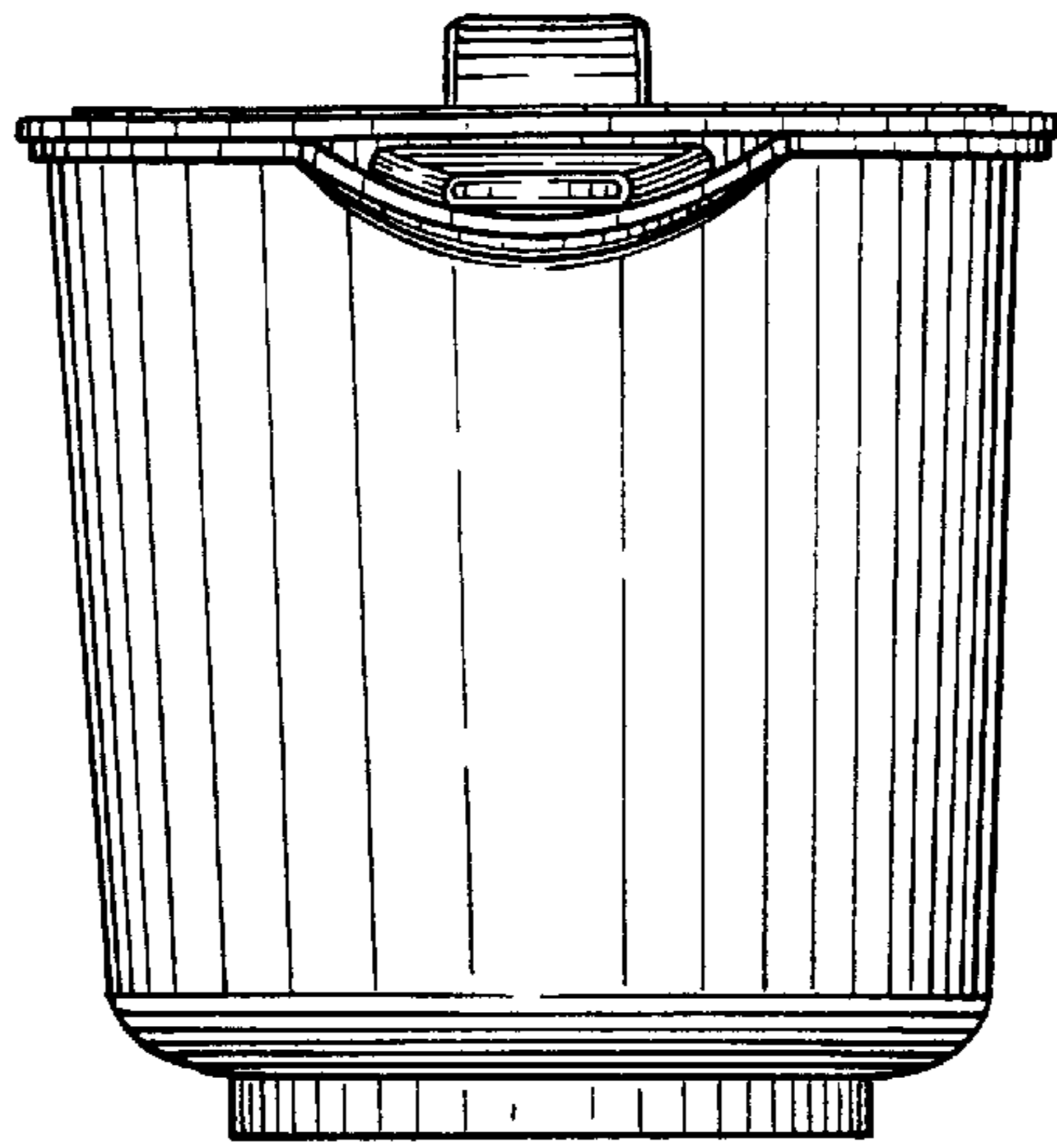




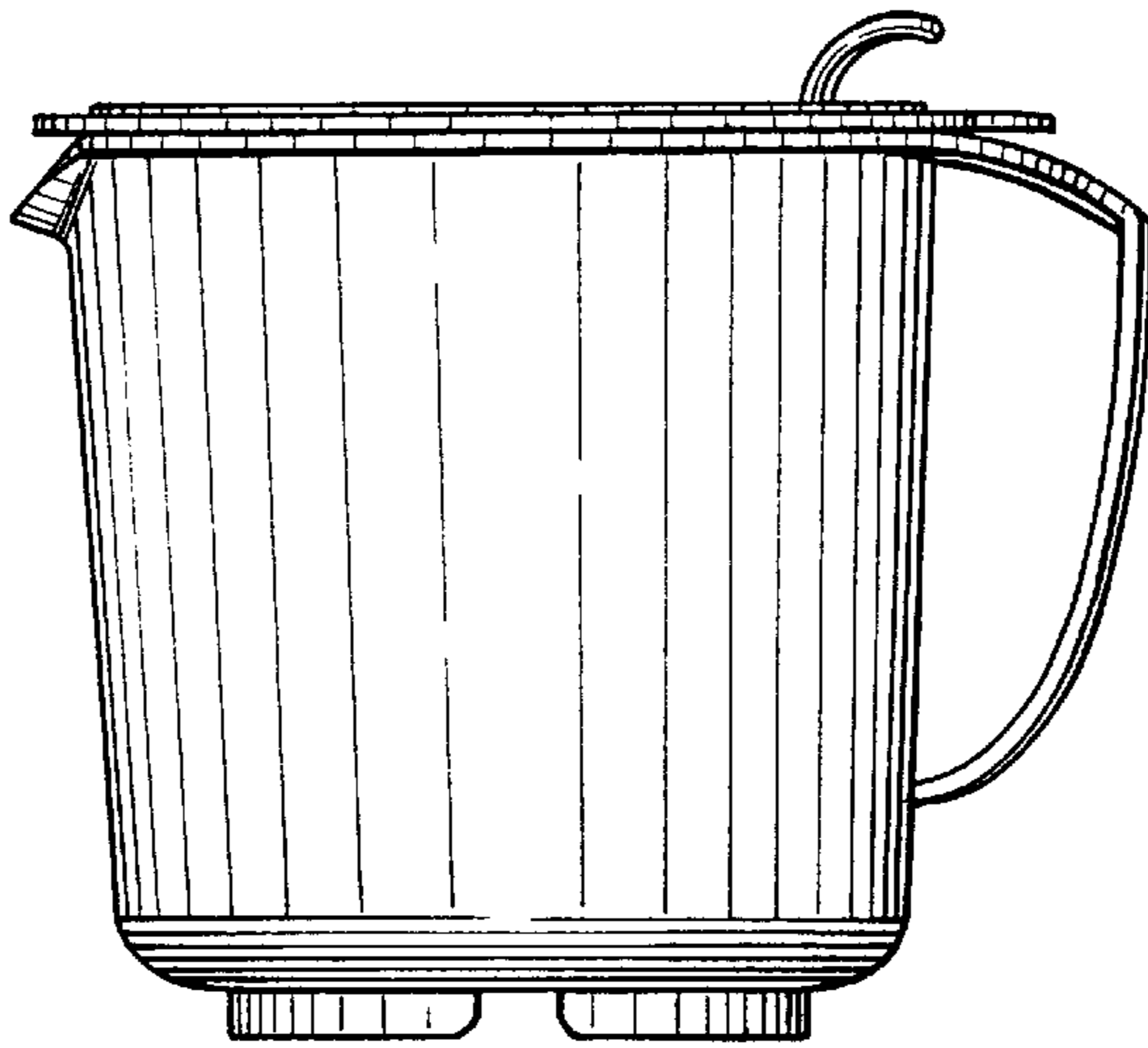
*Fig. 1*



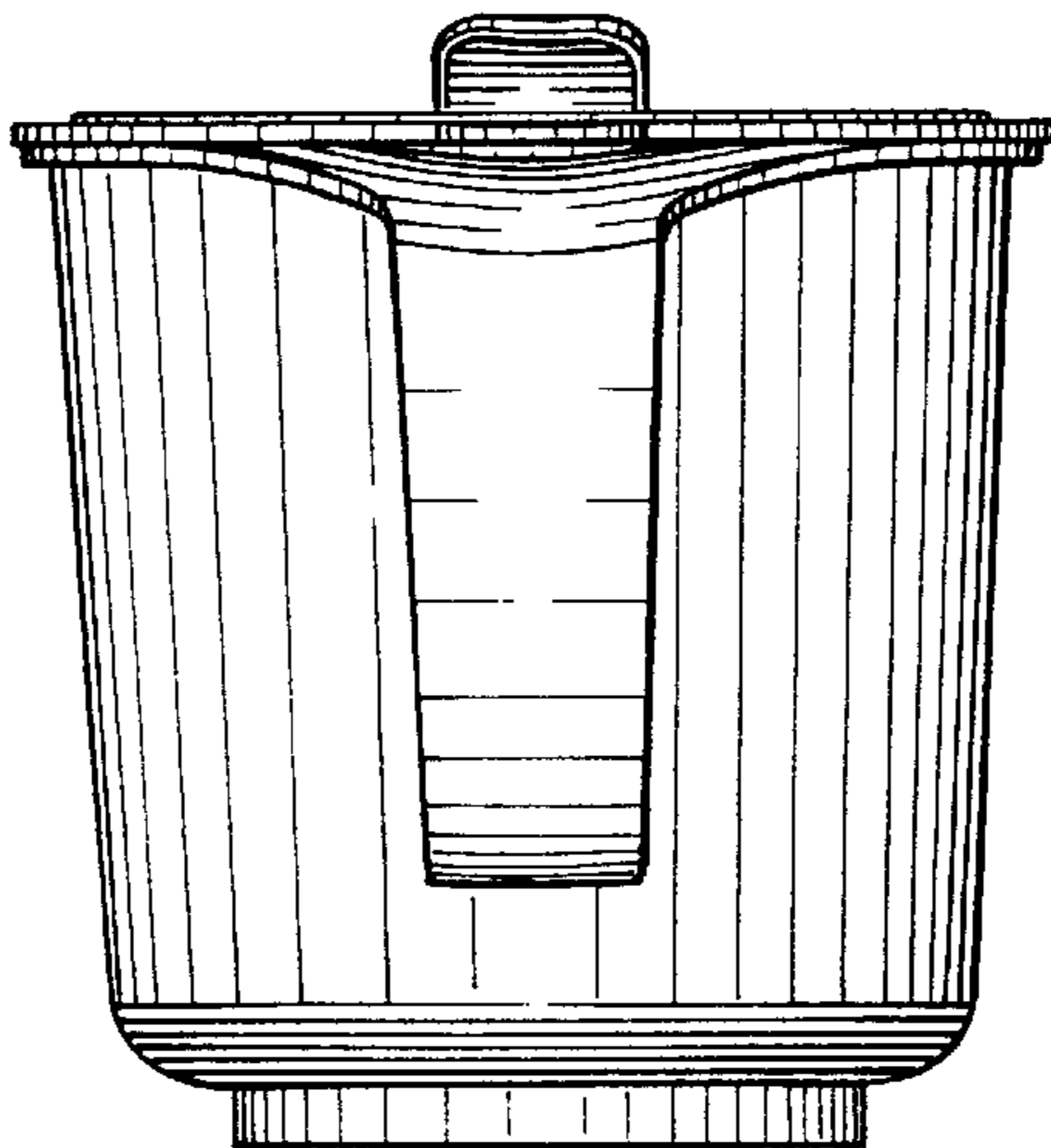
*Fig. 2*



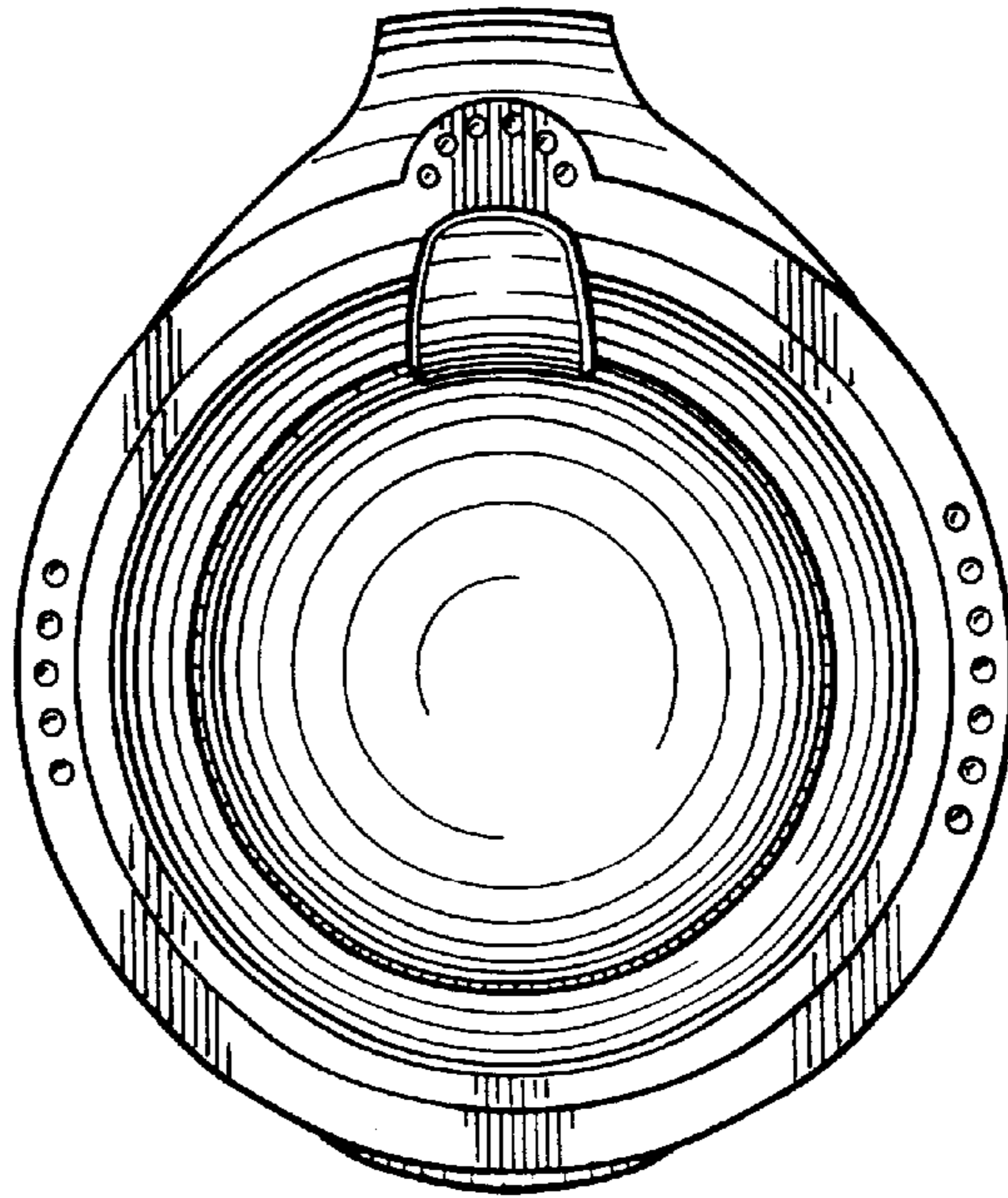
*Fig. 3*



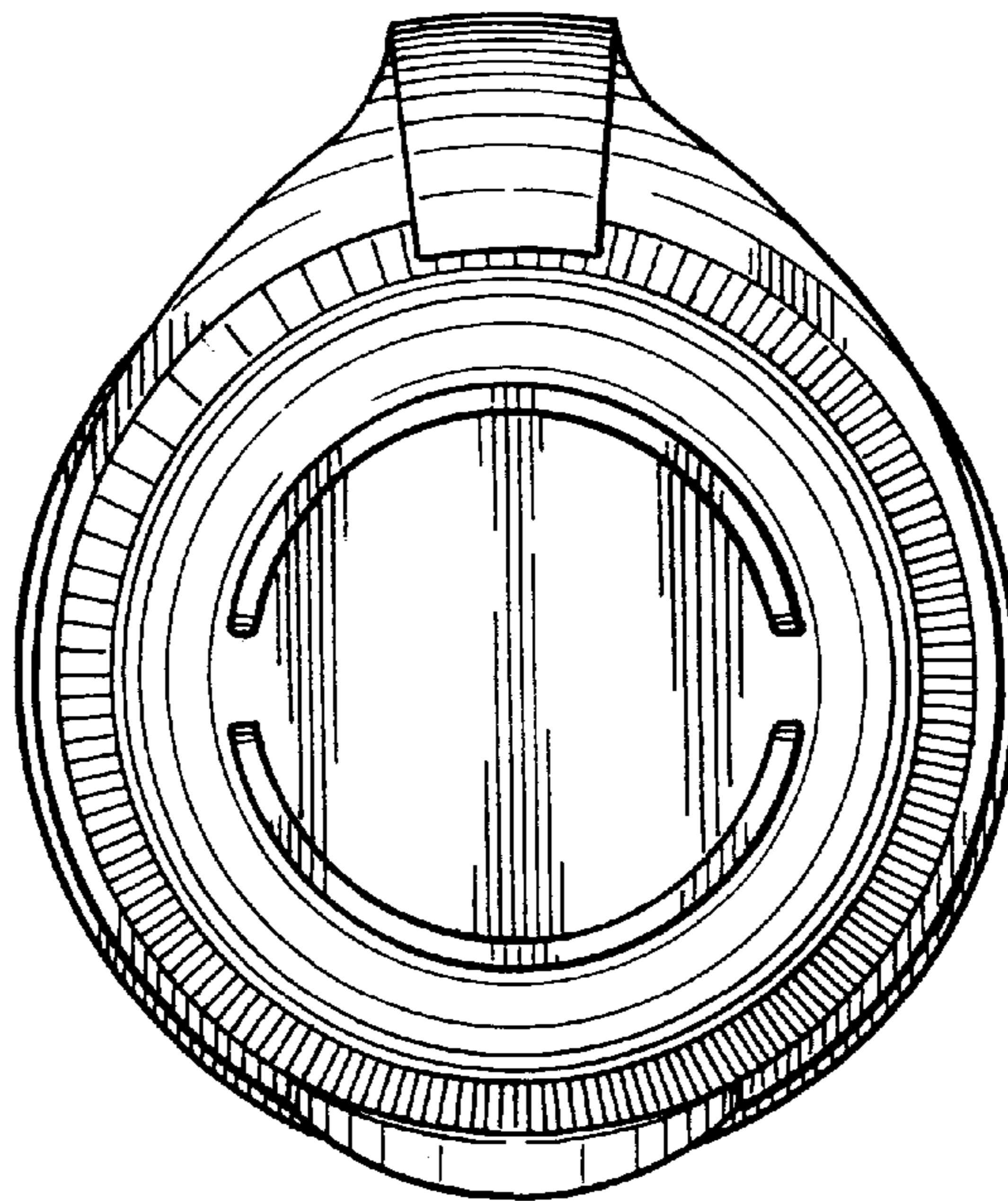
*Fig. 4*



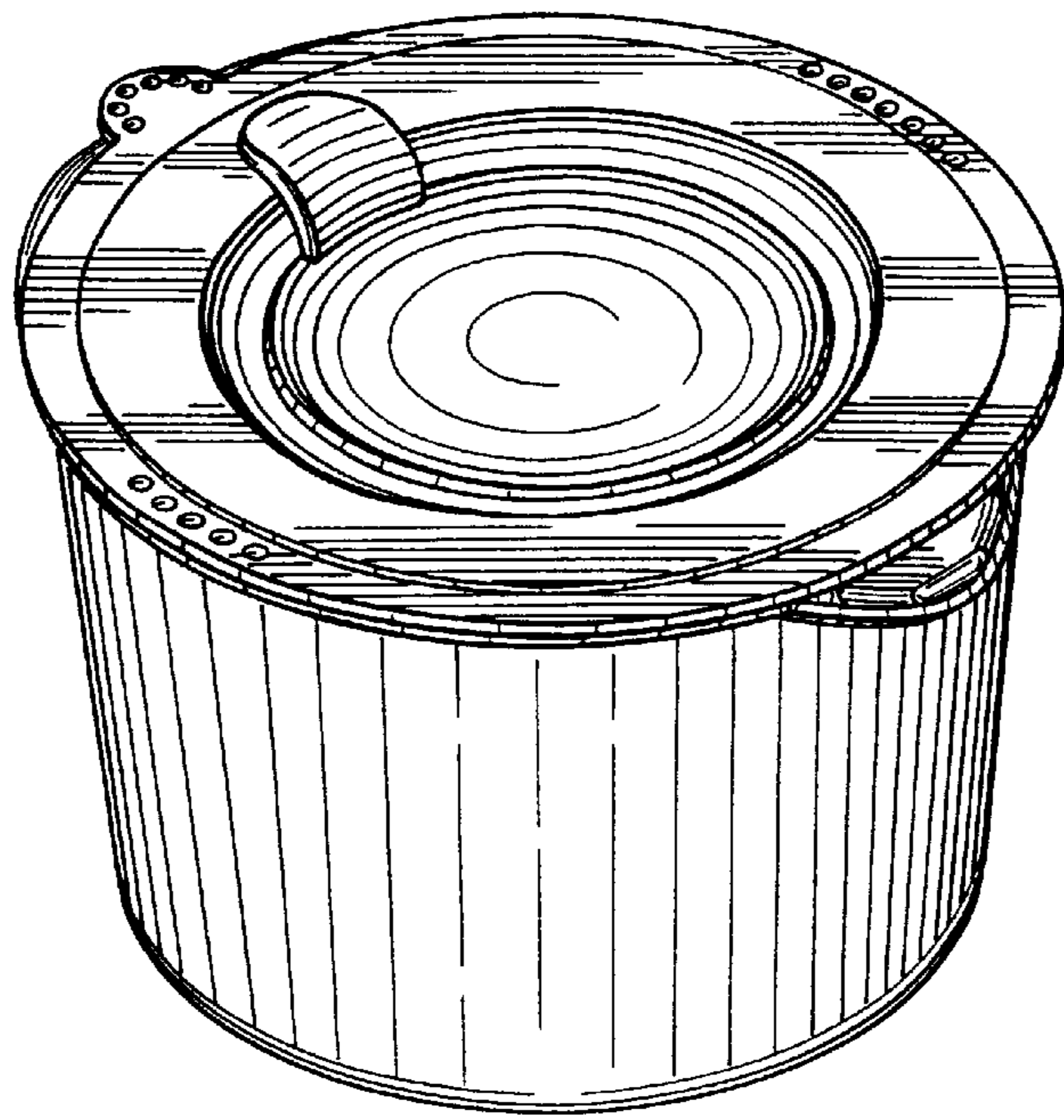
*Fig. 5*



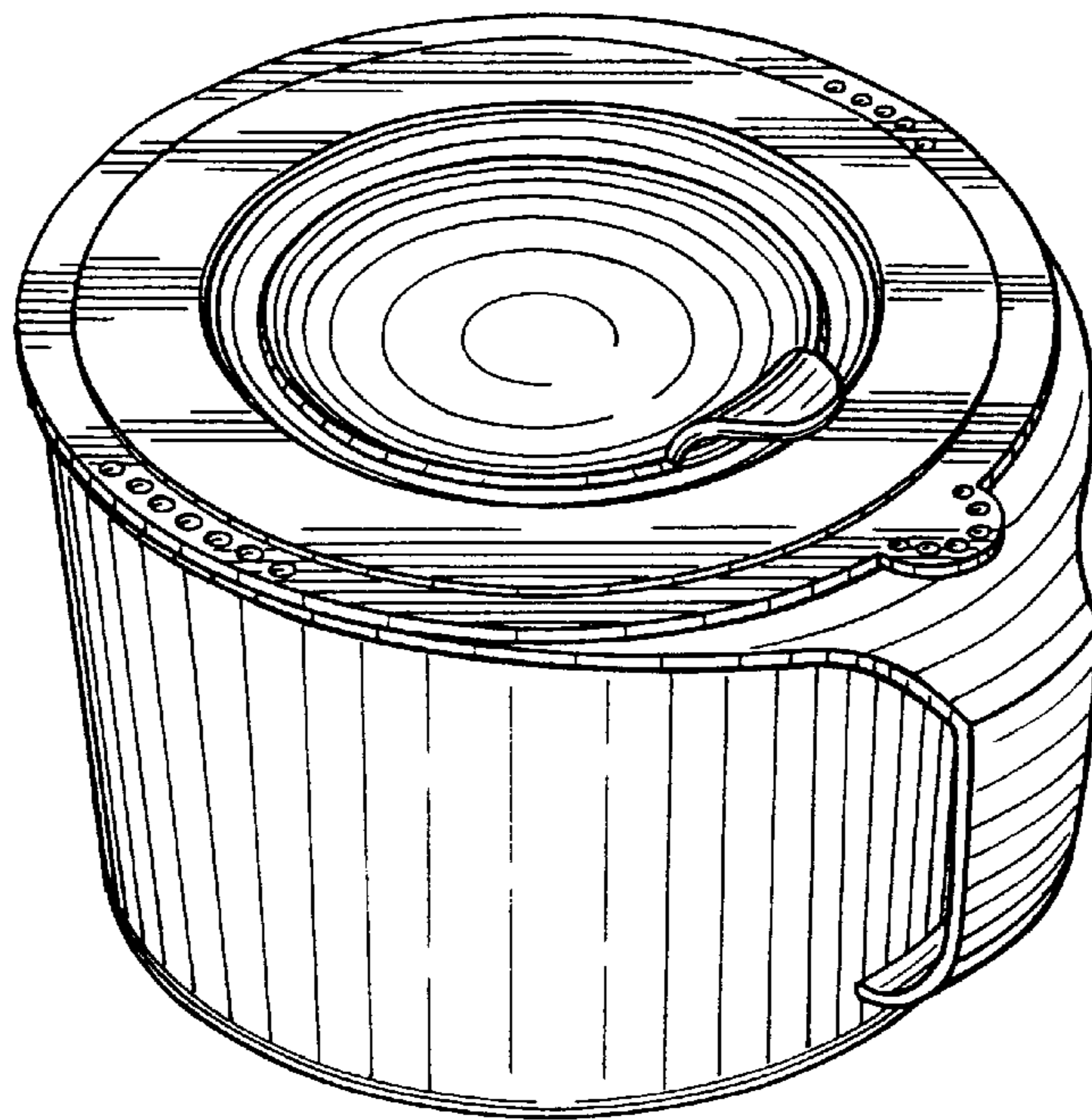
*Fig. 6*



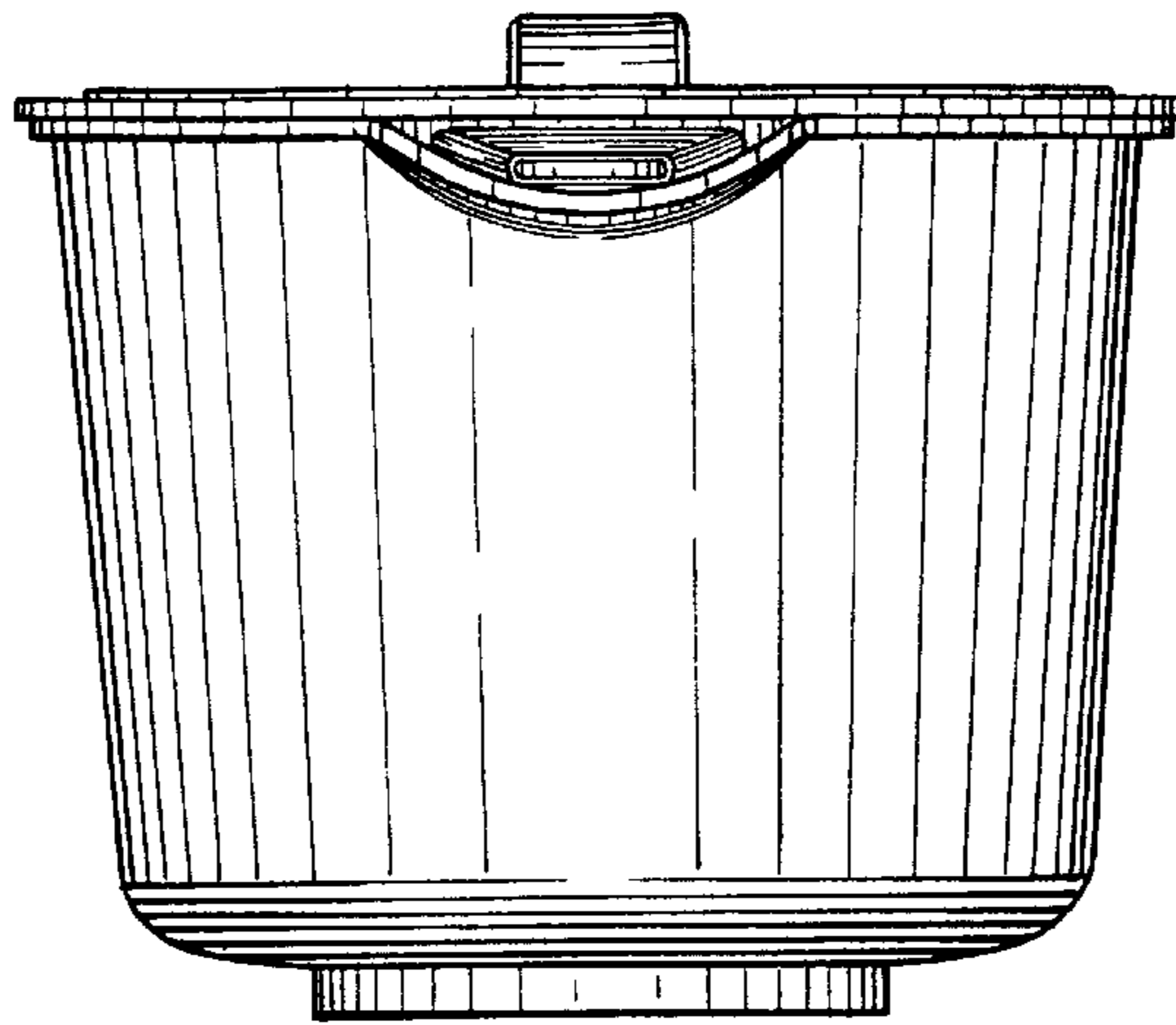
*Fig. 7*



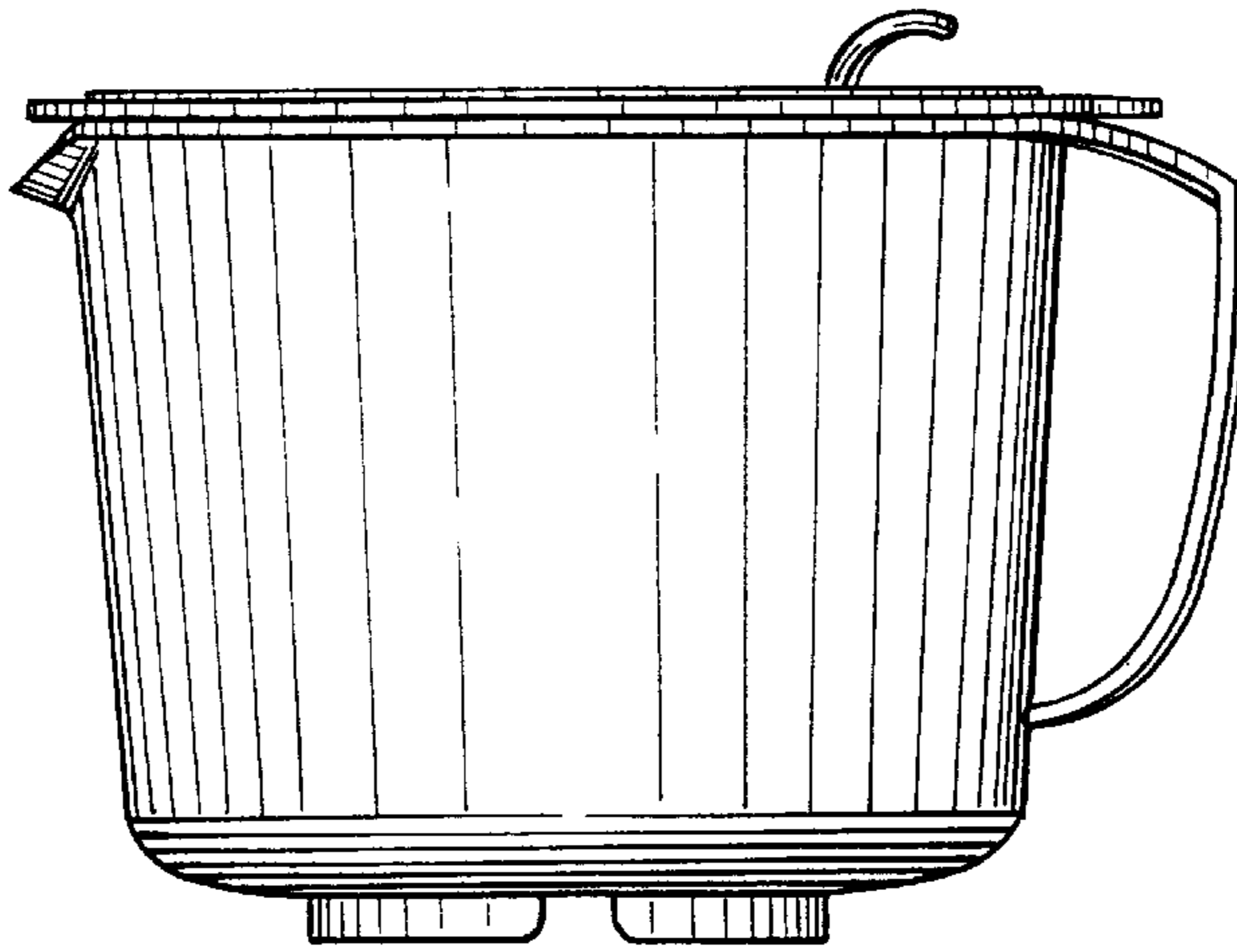
*Fig. 8*



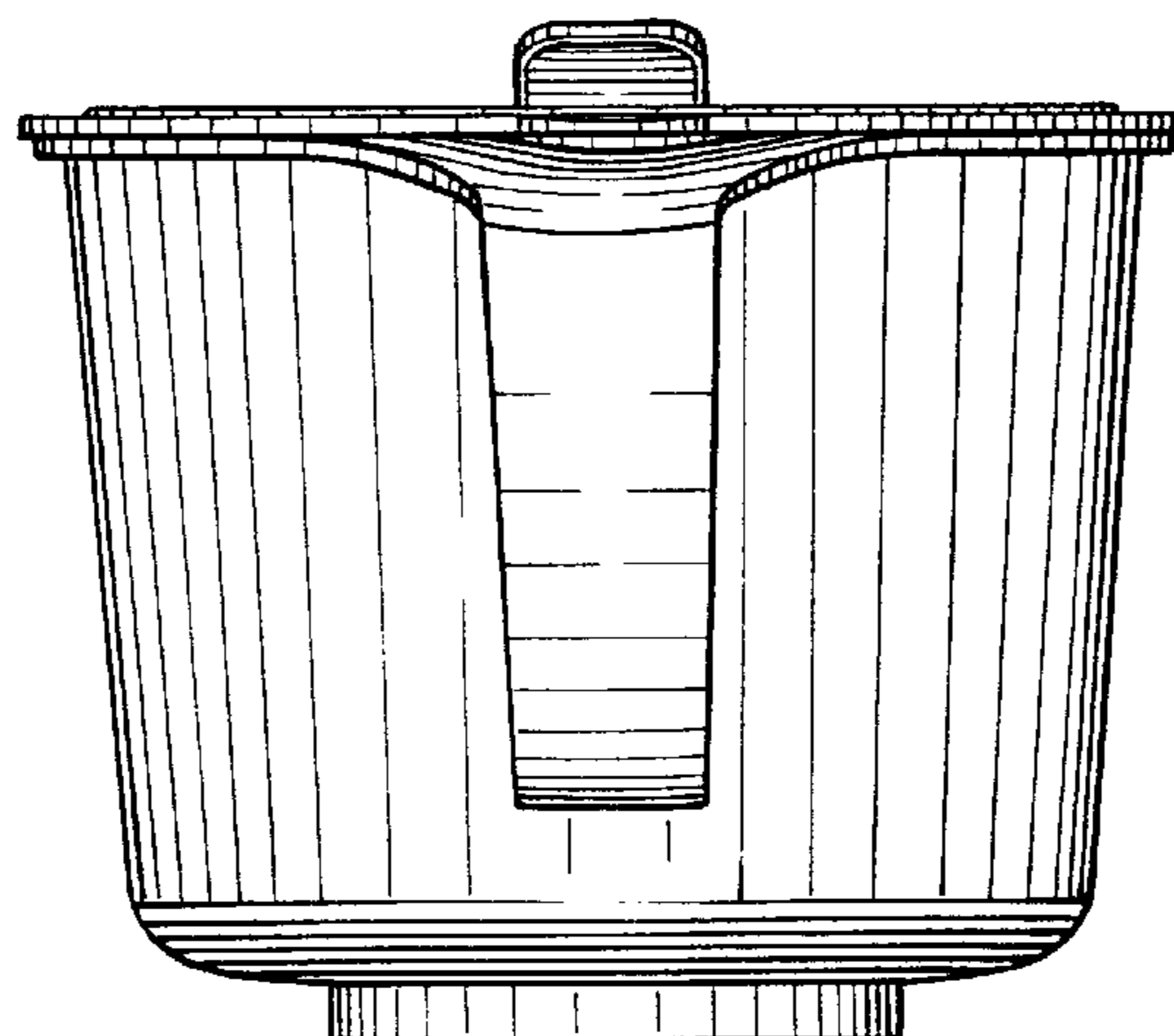
*Fig. 9*



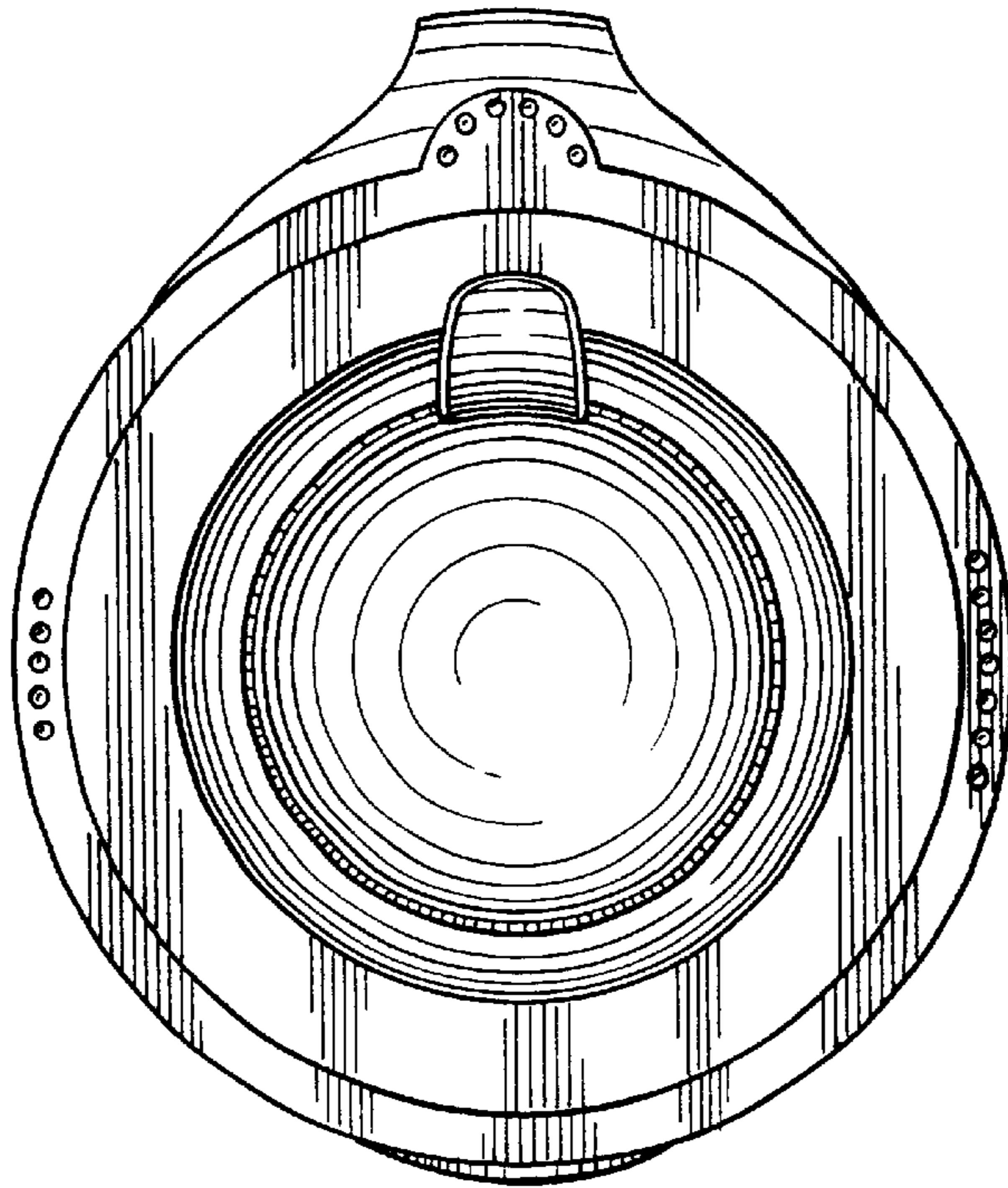
*Fig. 10*



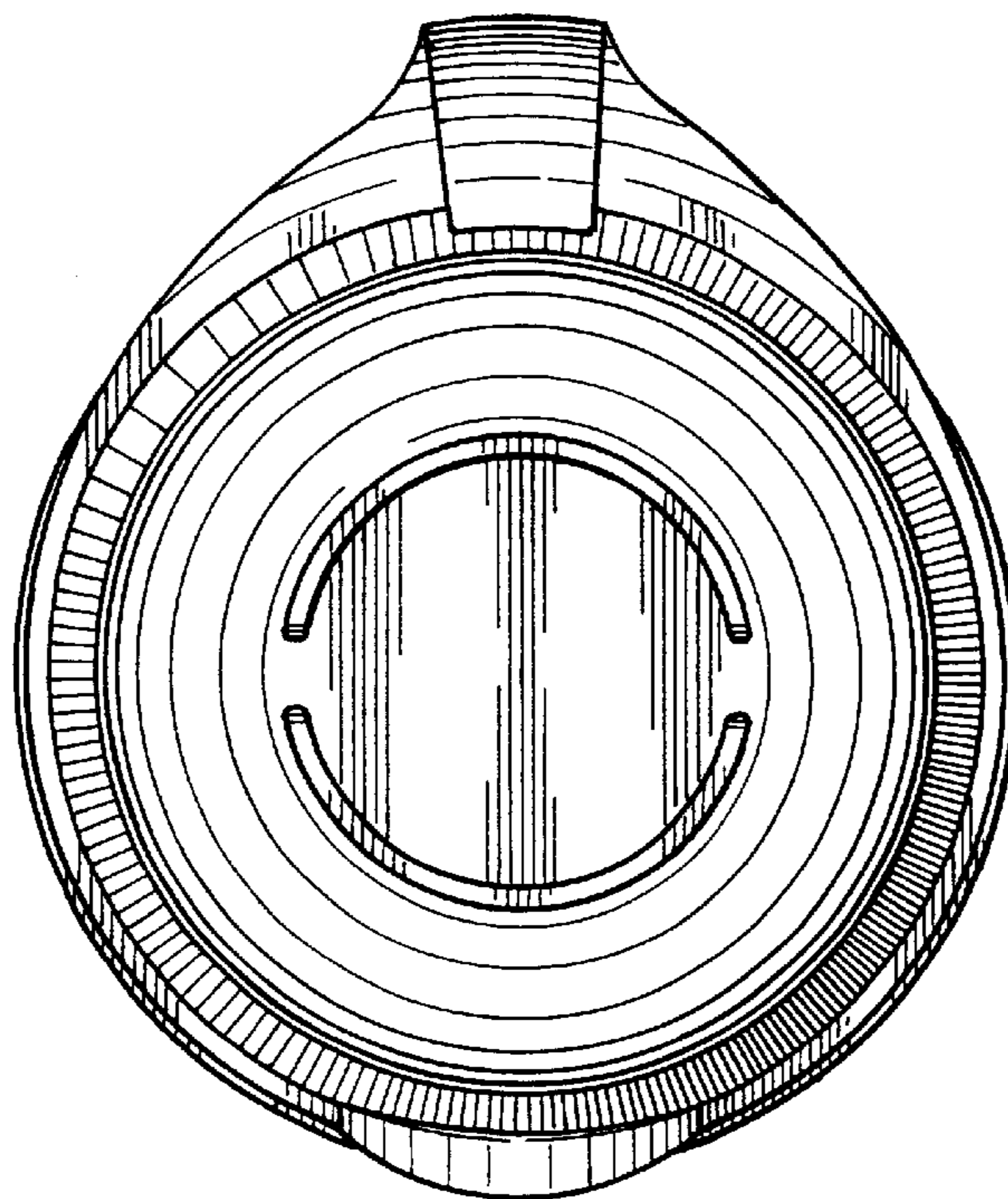
*Fig. 11*



*Fig. 12*



*Fig. 13*



*Fig. 14*