



US00D446074S

(12) **United States Design Patent**  
**Barker**

(10) **Patent No.:** **US D446,074 S**

(45) **Date of Patent:** **\*\* Aug. 7, 2001**

(54) **SANDWICH TOASTER**

(75) Inventor: **Mario J. Barker**, Balmain (AU)

(73) Assignee: **Breville Pty Ltd** (AU)

(\*\*) Term: **14 Years**

(21) Appl. No.: **29/129,099**

(22) Filed: **Sep. 7, 2000**

(30) **Foreign Application Priority Data**

Mar. 8, 2000 (AU) ..... 717/00

(51) **LOC (7) Cl.** ..... **07-02**

(52) **U.S. Cl.** ..... **D7/352**

(58) **Field of Search** ..... D7/323, 337, 350,  
D7/352, 353, 362; 99/372-379; 219/524,  
525

(56) **References Cited**

**U.S. PATENT DOCUMENTS**

D. 342,417	12/1993	McClellan	.....	D7/352
D. 367,993	3/1996	McClellan	.....	D7/352
D. 405,312	2/1999	Hoare	.....	D7/352
D. 407,598	* 4/1999	Deni et al.	.....	D7/352
D. 413,760	* 9/1999	Tsai et al.	.....	D7/352
D. 424,365	* 5/2000	To	.....	D7/352
D. 430,453	* 9/2000	Lin	.....	D7/352

**FOREIGN PATENT DOCUMENTS**

132149 11/1997 (AU).

**OTHER PUBLICATIONS**

Sunbeam Product Brochure for "EasyClean" sandwich makers and grills model Nos. GR6200 and GR6400 (one page, undated).

Drawing from commonly owned application for "Sandwich Toaster" design with May 5, 1999 priority date.

\* cited by examiner

*Primary Examiner*—Caron D. Veynar

(74) *Attorney, Agent, or Firm*—Dority & Manning

(57) **CLAIM**

The ornamental design for a sandwich toaster, as shown and described.

**DESCRIPTION**

FIG. 1 is a generally front and left side perspective view of an embodiment of the design of the present invention;

FIG. 2 is a front elevational view of the subject embodiment of FIG. 1;

FIG. 3 is a right side elevational view of the subject embodiment of FIG. 1;

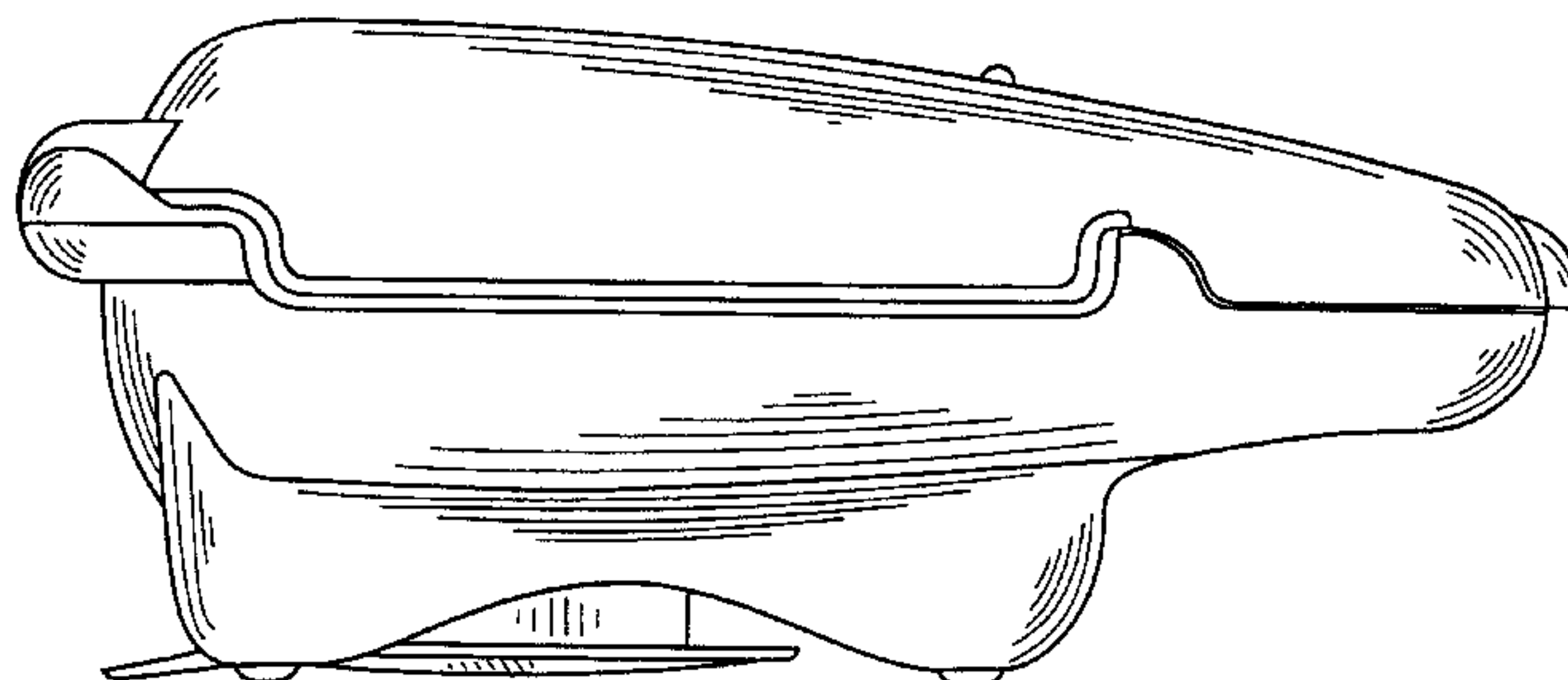
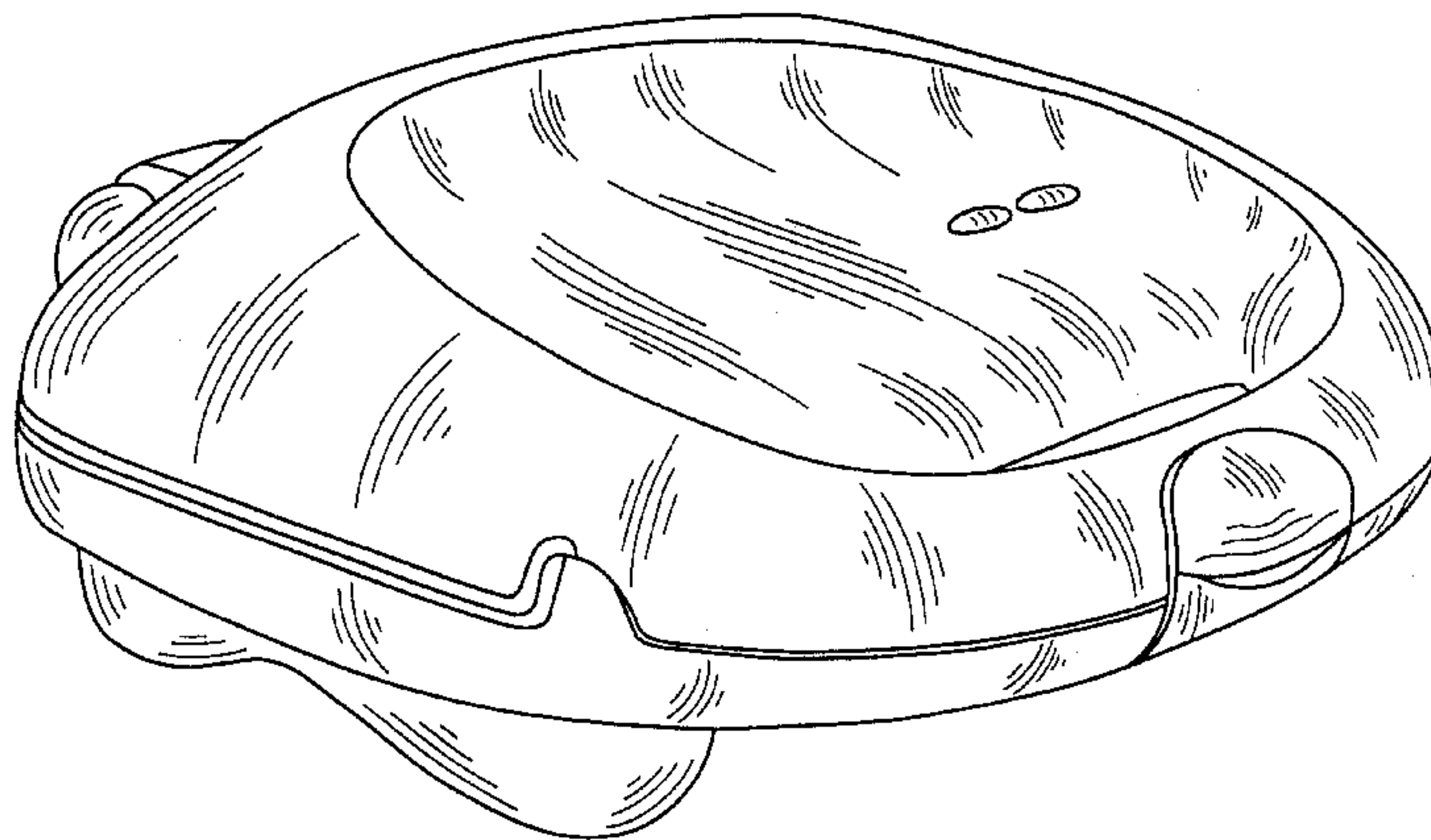
FIG. 4 is a left side elevational view of the subject embodiment of FIG. 1;

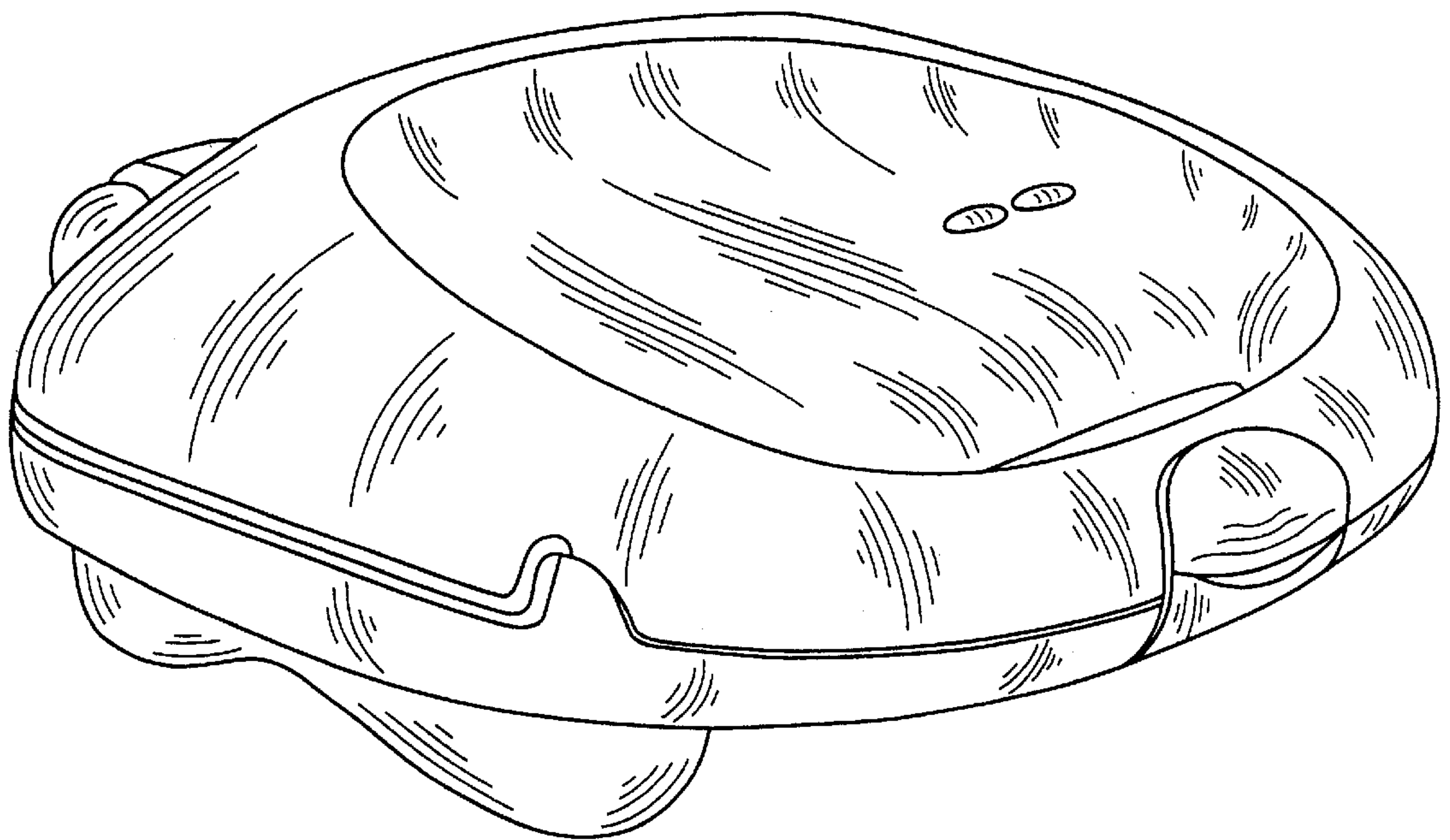
FIG. 5 is a back elevational view of the subject embodiment of FIG. 1;

FIG. 6 is a top elevational view of the subject embodiment of FIG. 1; and,

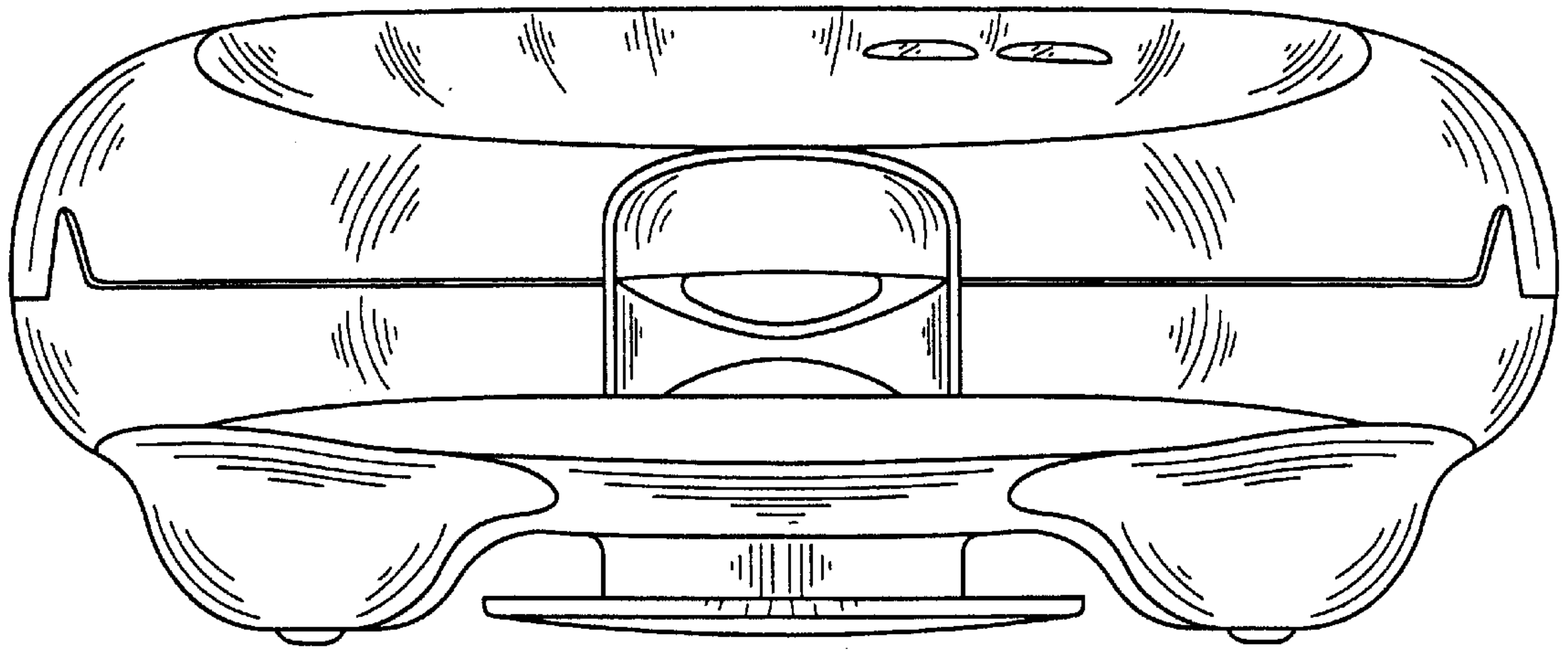
FIG. 7 is a bottom elevational view of the subject embodiment of FIG. 1.

**1 Claim, 5 Drawing Sheets**

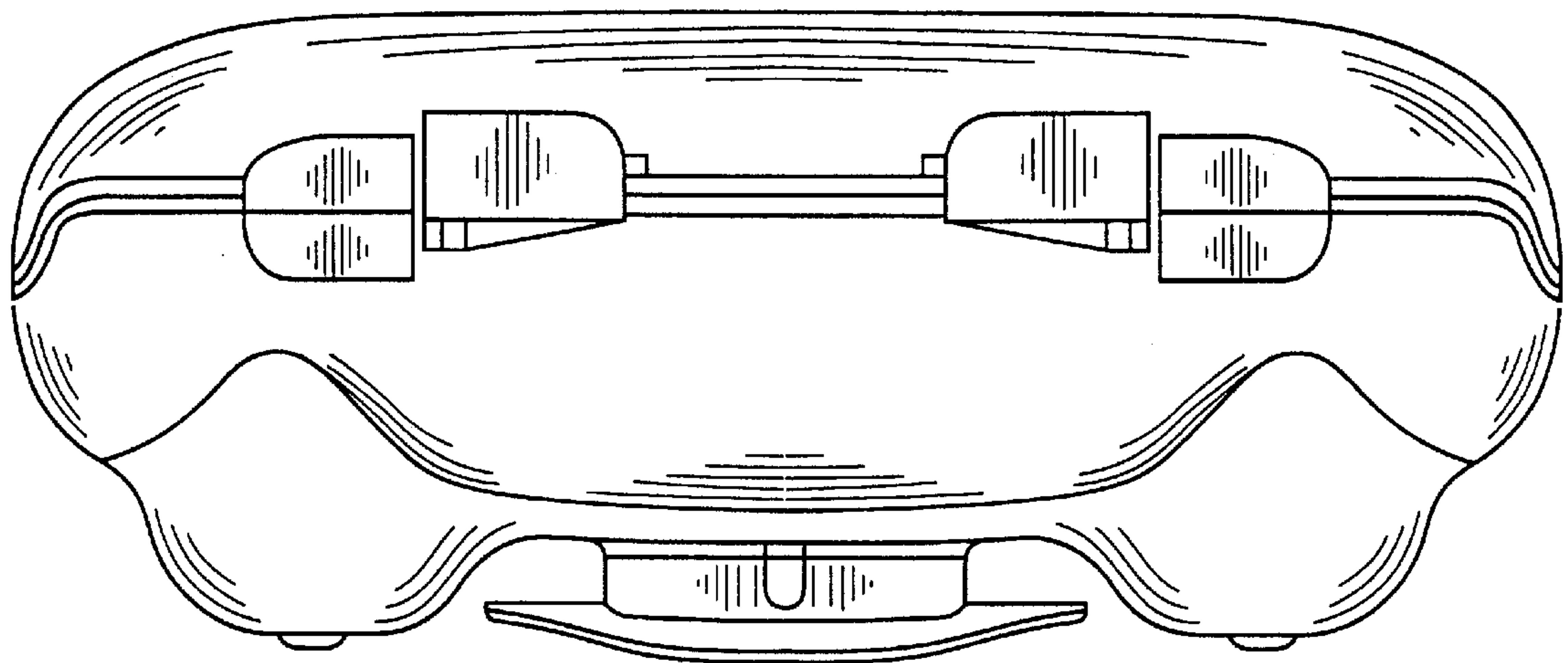




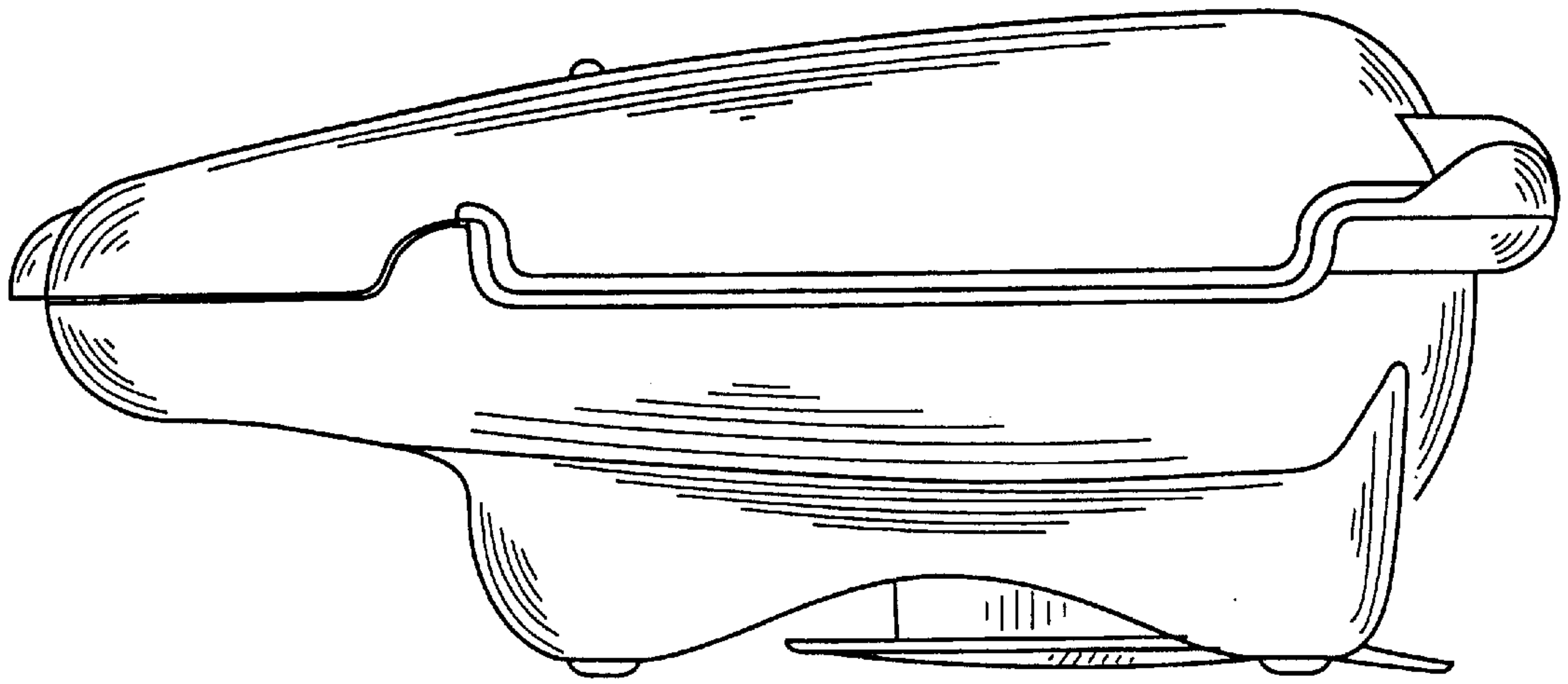
**FIG. 1**



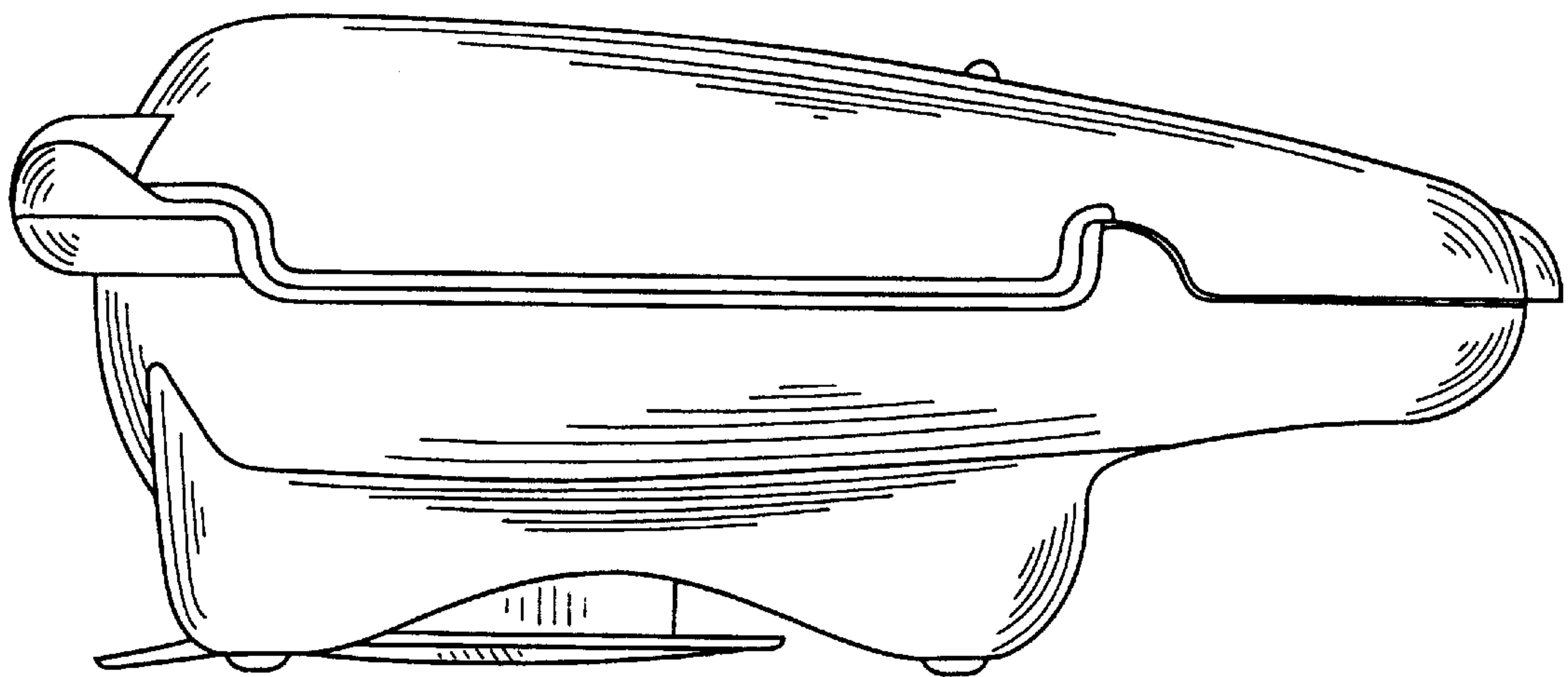
**FIG. 2**



**FIG. 5**

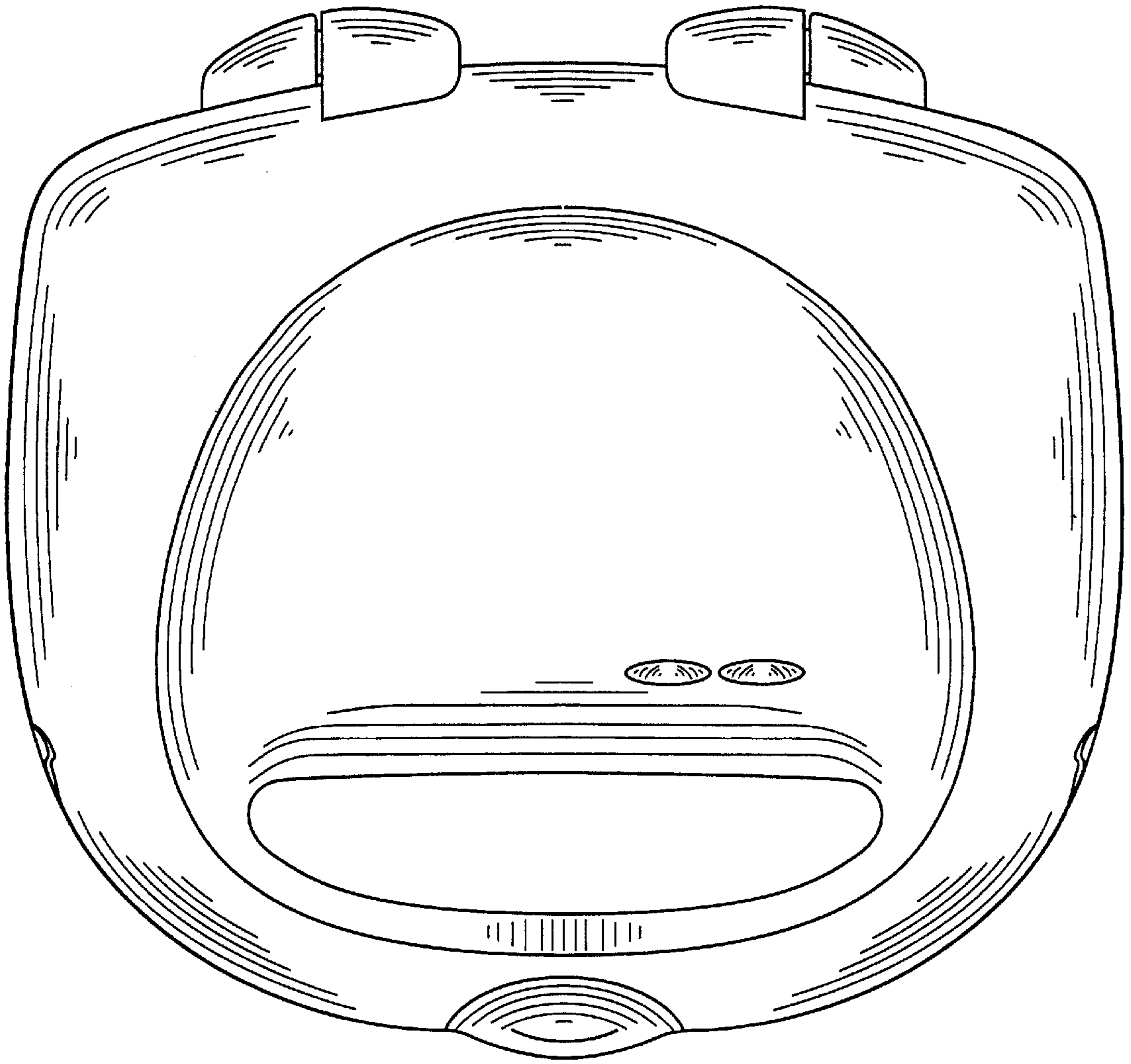


**FIG. 3**

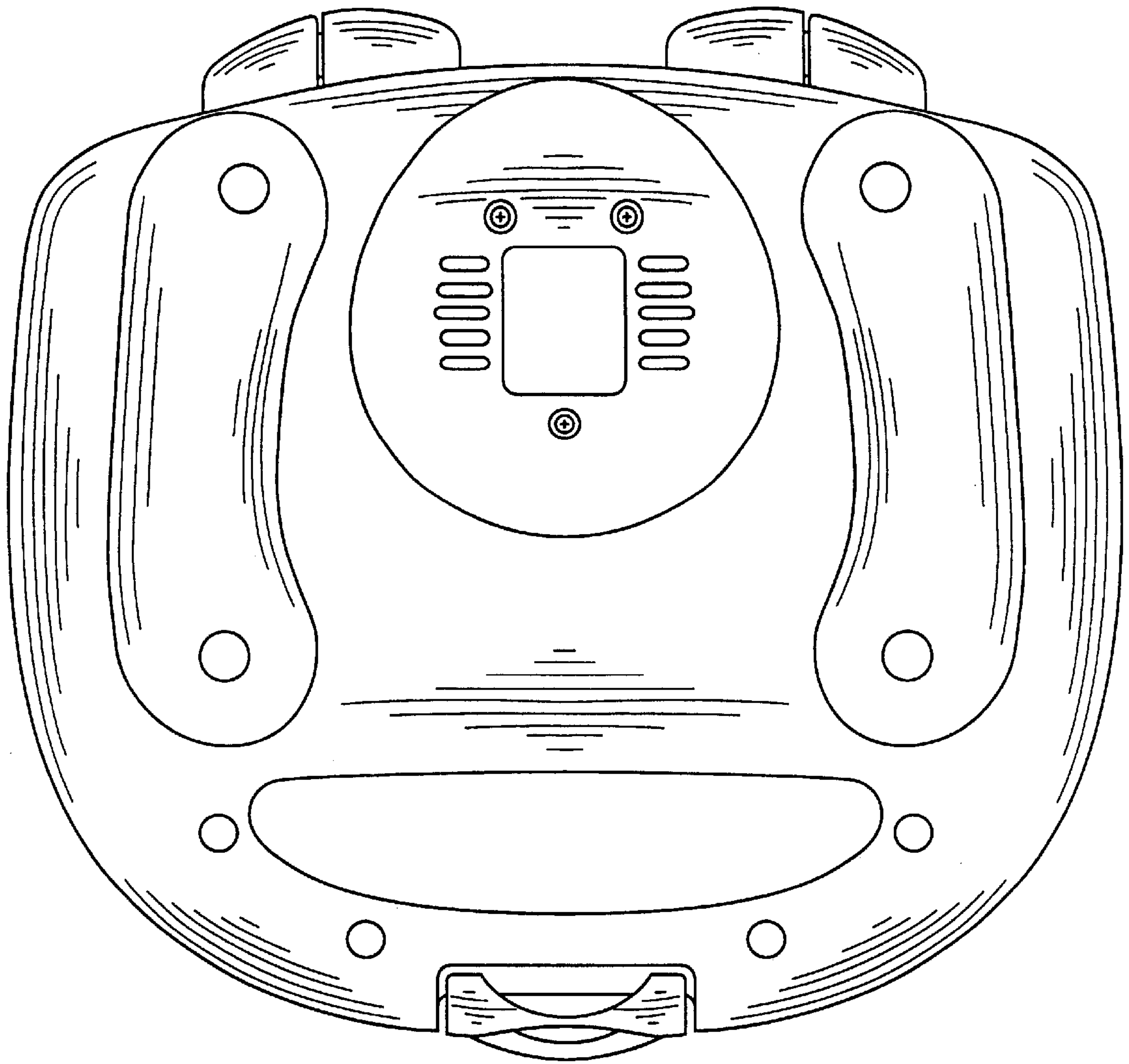


**FIG. 4**





**FIG. 6**



**FIG. 7**