



US00D446071S

(12) **United States Design Patent**
Hawkins et al.

(10) **Patent No.:** **US D446,071 S**

(45) **Date of Patent:** **** Aug. 7, 2001**

(54) **SUPPORT PAD**

(75) Inventors: **Steven Douglas Hawkins**, Midlothian;
Robert Junior Rose, Chesterfield, both
of VA (US)

(73) Assignee: **Carpenter Co.**, Richmond, VA (US)

(**) Term: **14 Years**

(21) Appl. No.: **29/127,984**

(22) Filed: **Aug. 16, 2000**

(51) **LOC (7) Cl.** **06-09**

(52) **U.S. Cl.** **D6/596**

(58) **Field of Search** D6/595, 596, 601,
D6/604; 5/630, 631, 633, 636, 637, 652-654,
655.3, 655.9, 901, 731, 930, 907

(56) **References Cited**

U.S. PATENT DOCUMENTS

D. 311,108	*	10/1990	Farley	D6/596
D. 339,018	*	9/1993	Main	D6/596
D. 421,358	*	3/2000	Henson	D6/596
D. 433,861	*	11/2000	Rose et al.	D6/596

* cited by examiner

Primary Examiner—Janice E. Seeger

(74) *Attorney, Agent, or Firm*—Smith Gambrell & Russell,
LLP.

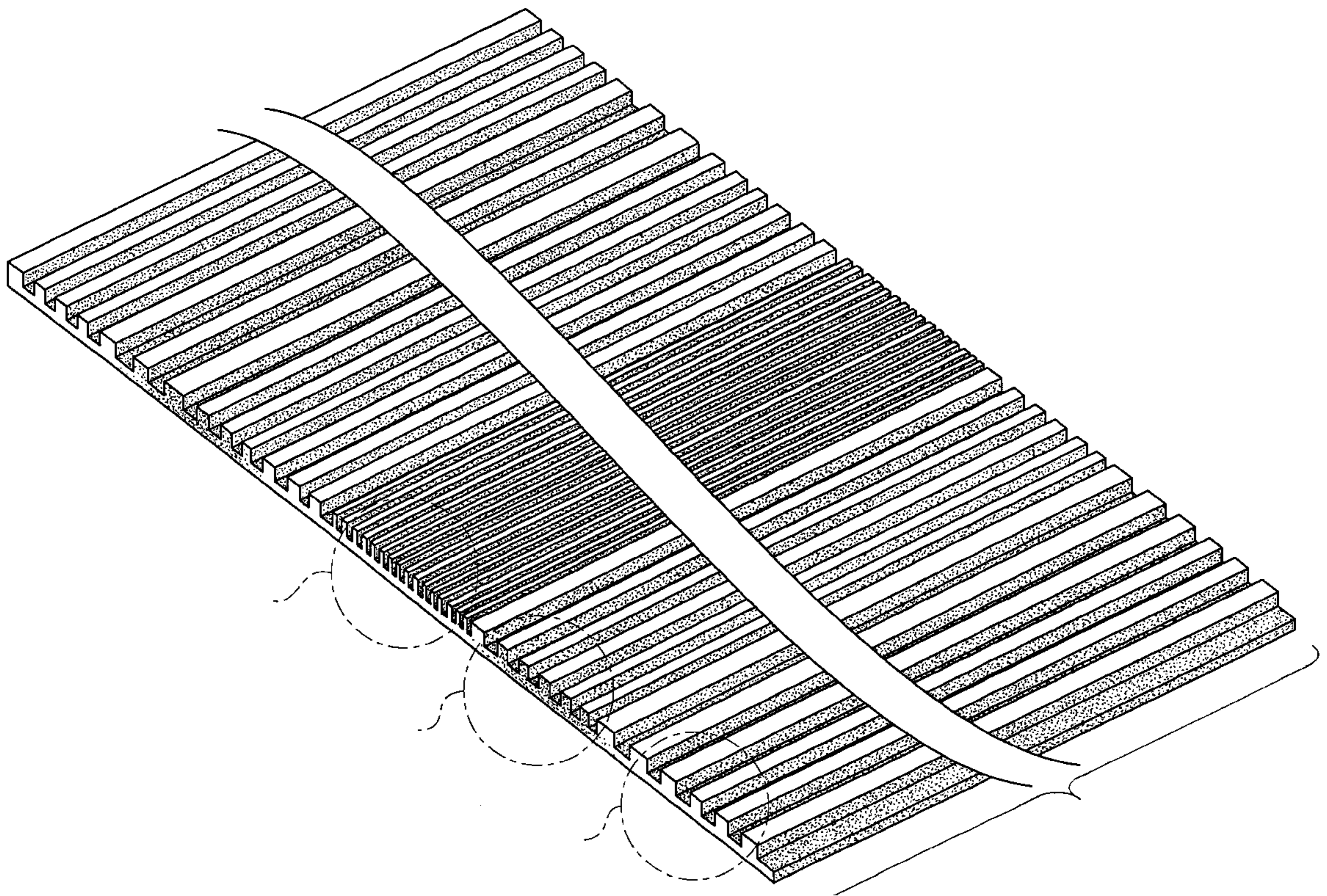
(57) **CLAIM**

The ornamental design for a support pad, as shown and described.

DESCRIPTION

FIG. 1 is a top perspective view of a support pad of the present invention with a widthwise break-away to illustrate an indeterminate width feature of the present invention, with standard mattress sizes being representative;
 FIG. 2 shows a top planar view thereof;
 FIG. 3 is a side elevational view, the opposite end being a mirror image thereof;
 FIG. 4 is a bottom plan view thereof;
 FIG. 5 is a left end view thereof;
 FIG. 6 is a right end view thereof;
 FIG. 7 is an enlarged view of the area designated by numeral 7 in FIG. 1;
 FIG. 8 is an enlarged view of the area designated by numeral 8 in FIG. 1; and,
 FIG. 9 is an enlarged view of the area designated by numeral 9 in FIG. 1.

1 Claim, 4 Drawing Sheets



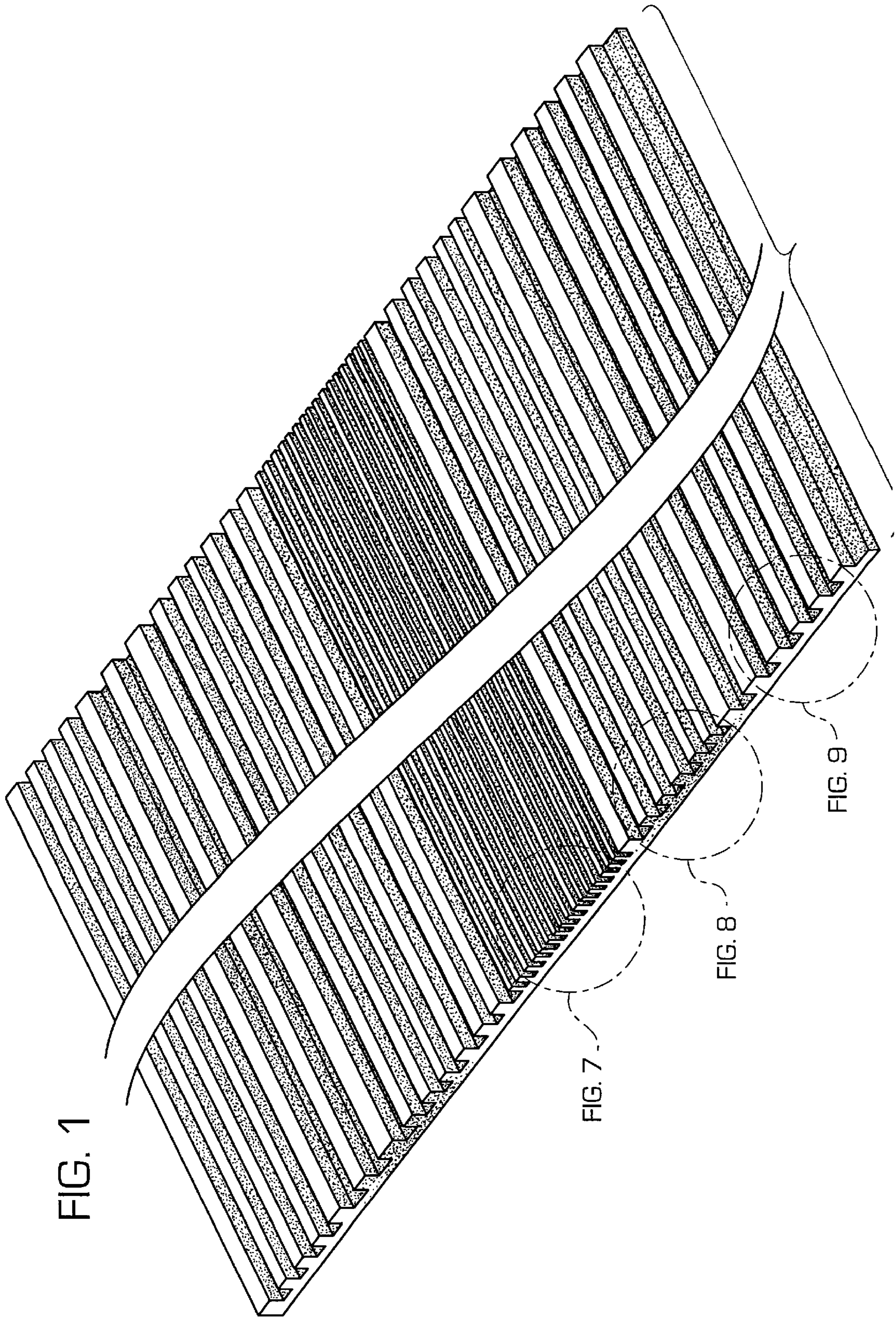
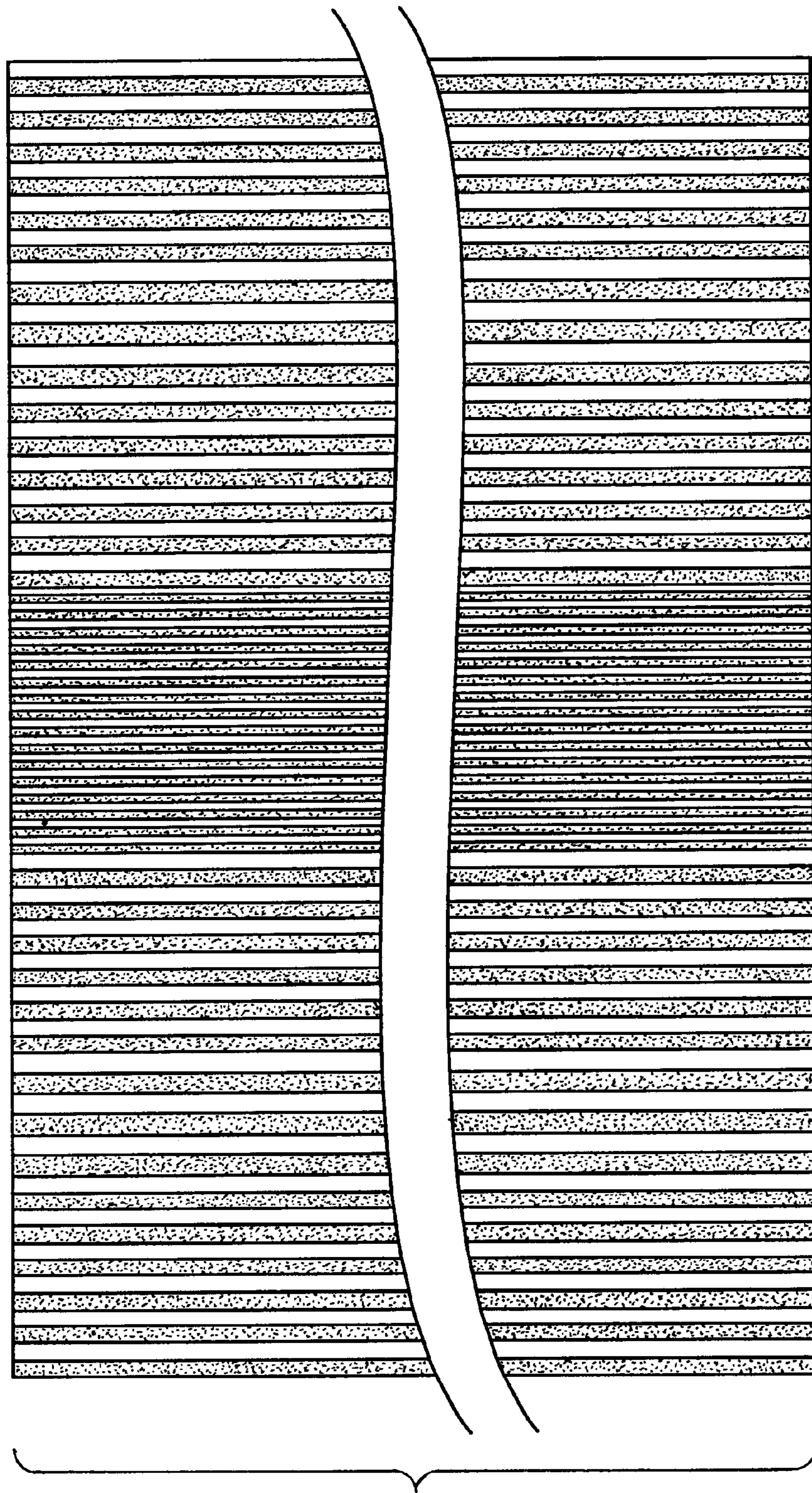


FIG. 2



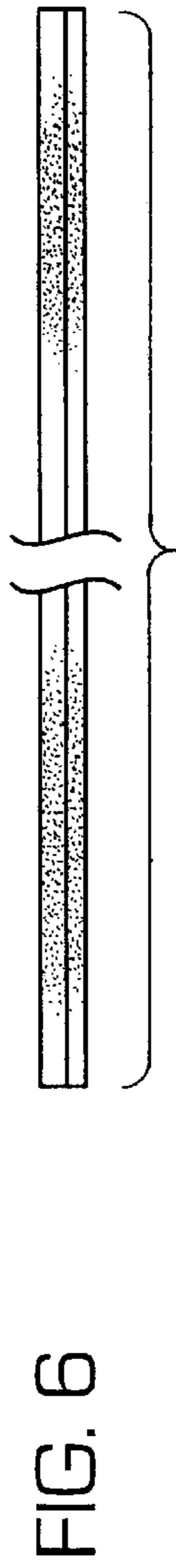
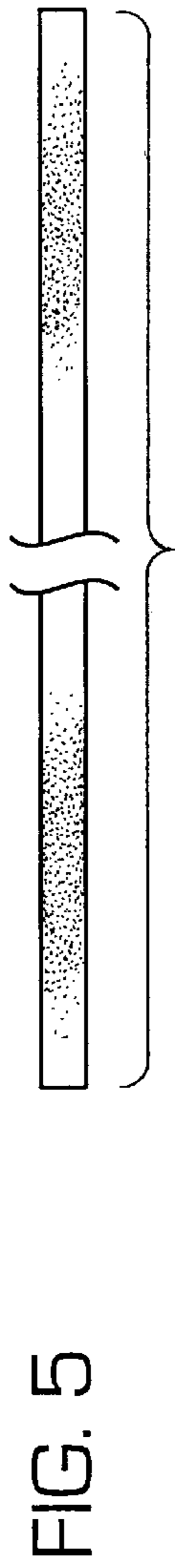


FIG. 7

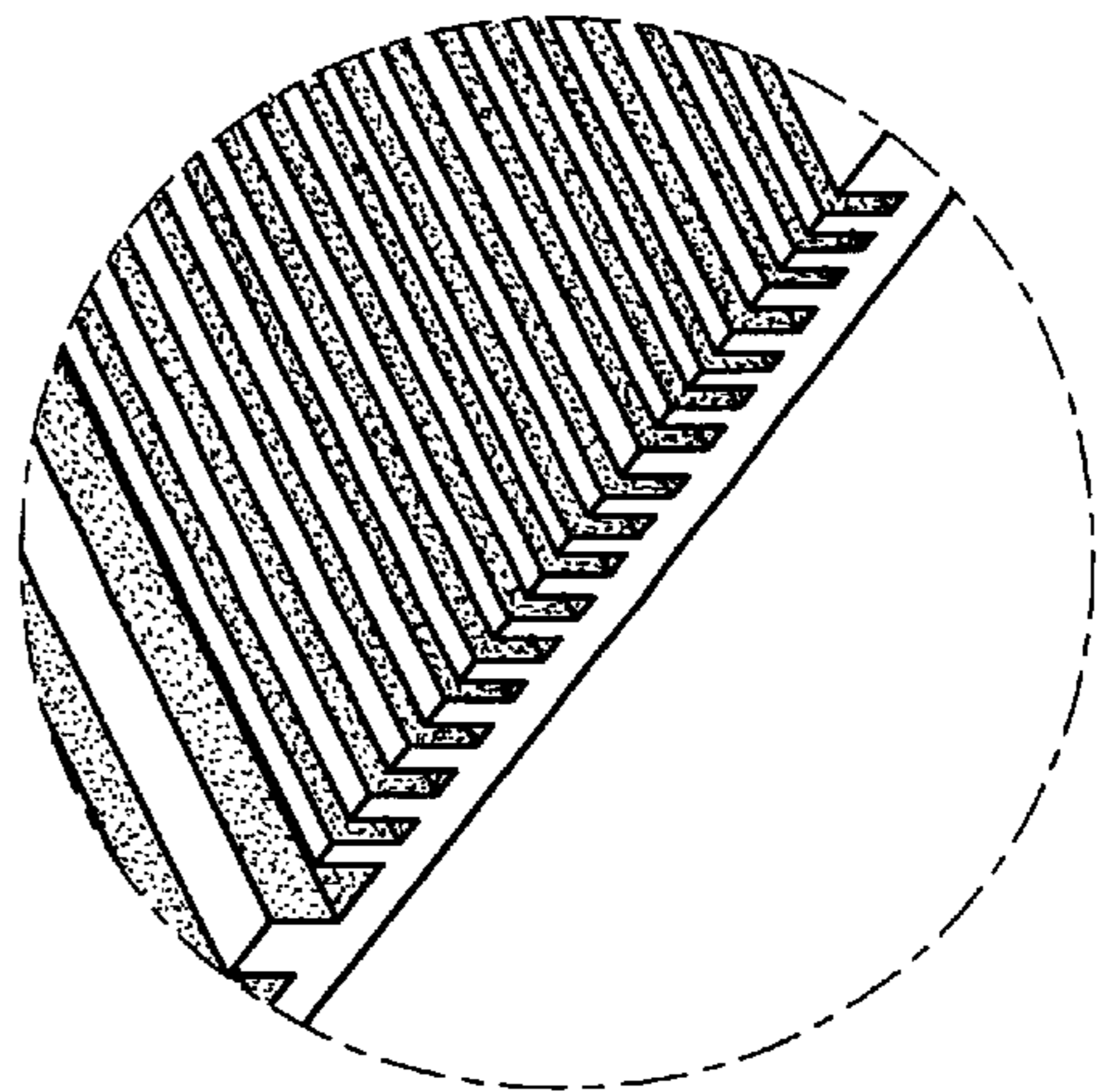


FIG. 8

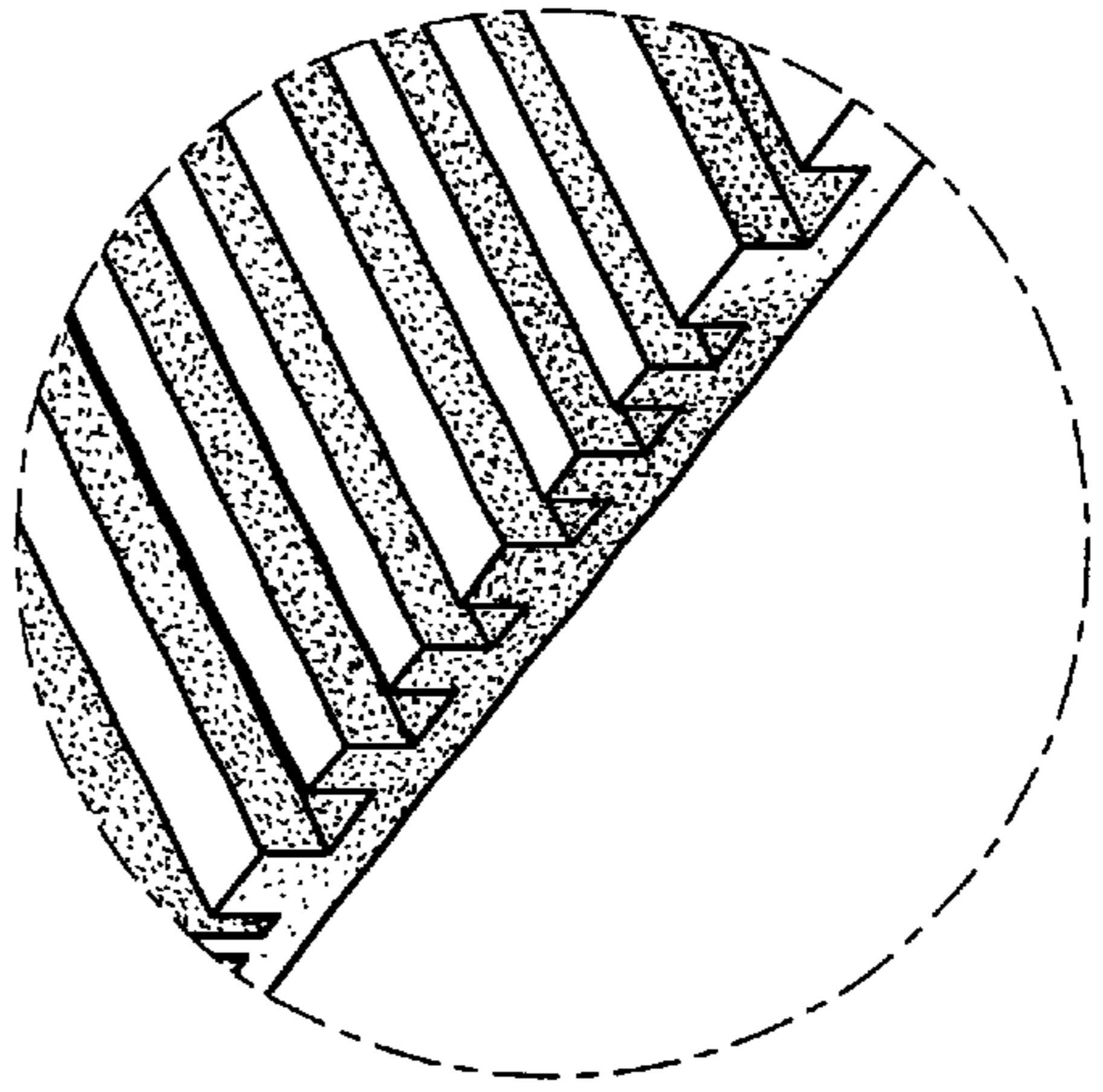


FIG. 9

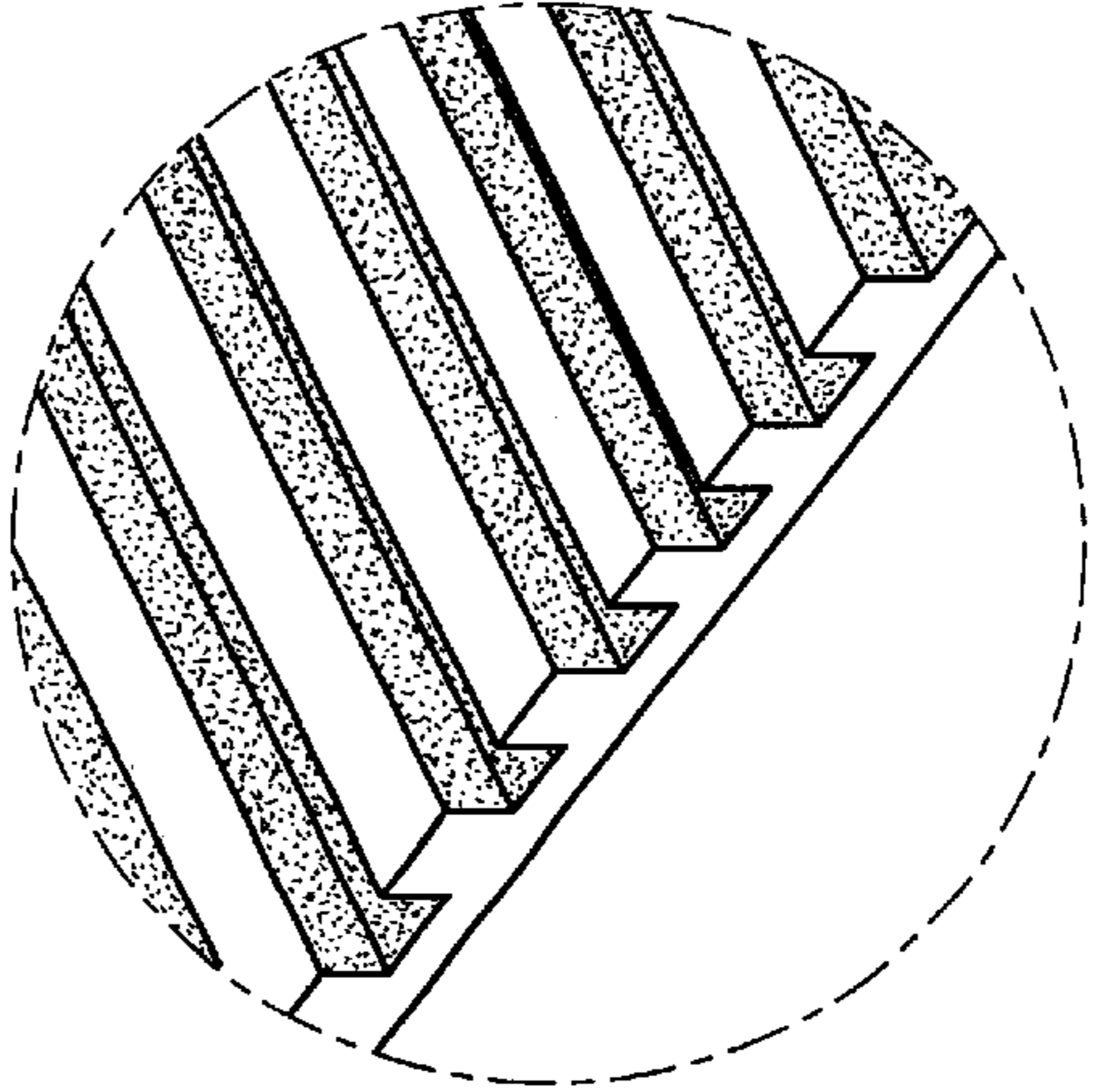


FIG. 4

