



US00D446070S

(12) **United States Design Patent**  
**Judkins**

(10) **Patent No.:** **US D446,070 S**

(45) **Date of Patent:** **\*\* Aug. 7, 2001**

(54) **DOUBLE LAYER SHADE WITH FABRIC ROMAN SHADE**

(76) Inventor: **Ren Judkins**, 46 Newgate Rd.,  
Pittsburgh, PA (US) 15202

(\*\*) Term: **14 Years**

(21) Appl. No.: **29/121,882**

(22) Filed: **Apr. 14, 2000**

(51) **LOC (7) Cl.** ..... **06-10**

(52) **U.S. Cl.** ..... **D6/575**

(58) **Field of Search** ..... D6/575; 160/84 R,  
160/84.04, 236

(56) **References Cited**

**U.S. PATENT DOCUMENTS**

D. 260,838	*	9/1981	Kato	.....	D6/575
D. 277,061	*	1/1985	Picoy	.....	D6/575
D. 348,371		7/1994	Judkins	.....	D6/577
5,205,334		4/1993	Judkins	.....	160/84.1
5,566,735		10/1996	Jelic	.....	160/84.04

\* cited by examiner

*Primary Examiner*—Mitchell Siegel

(74) *Attorney, Agent, or Firm*—Buchanan Ingersoll, P.C.

(57) **CLAIM**

The ornamental design for a double layer shade with fabric roman shade, as shown and described.

**DESCRIPTION**

FIG. 1 is a front perspective view of a double layer shade with fabric roman shade showing my design in a fully lowered, closed position.

FIG. 2 is a right end view of the double layer shade as shown in FIG. 1.

FIG. 3 is a front view similar to FIG. 1 showing the double layer shade in a fully raised, open position.

FIG. 4 is a right end view of the double layer shade as shown in FIG. 3.

FIG. 5 is a left end view of the double layer shade as shown in FIG. 3.

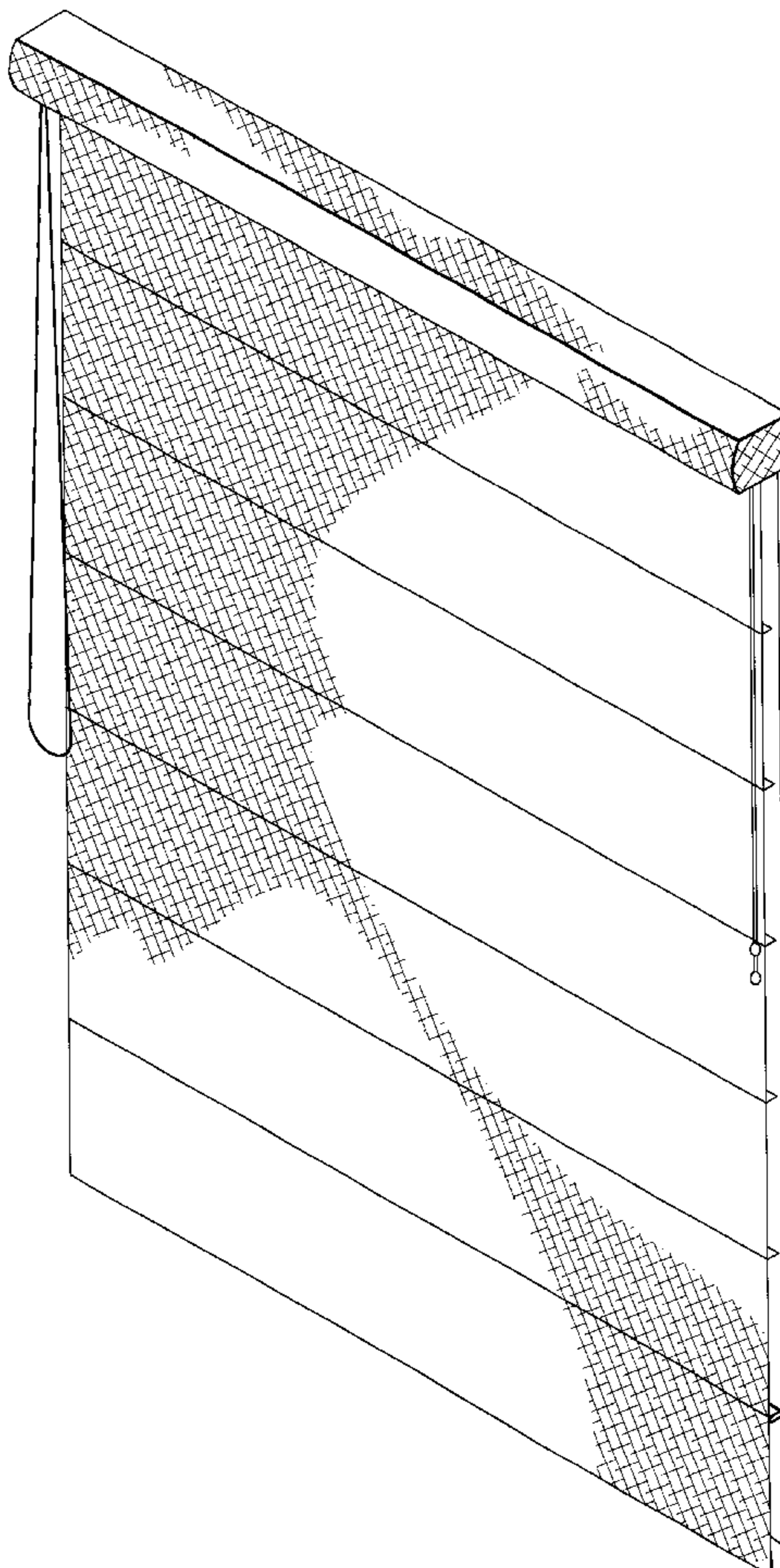
FIG. 6 is a top view thereof.

FIG. 7 is a bottom view thereof; and,

FIG. 8 is a rear view of the double layer shade as shown in FIG. 1.

FIGS. 1 through 7 are shaded to indicate fabric. The fabric pattern forms no part of the claimed design.

**1 Claim, 4 Drawing Sheets**



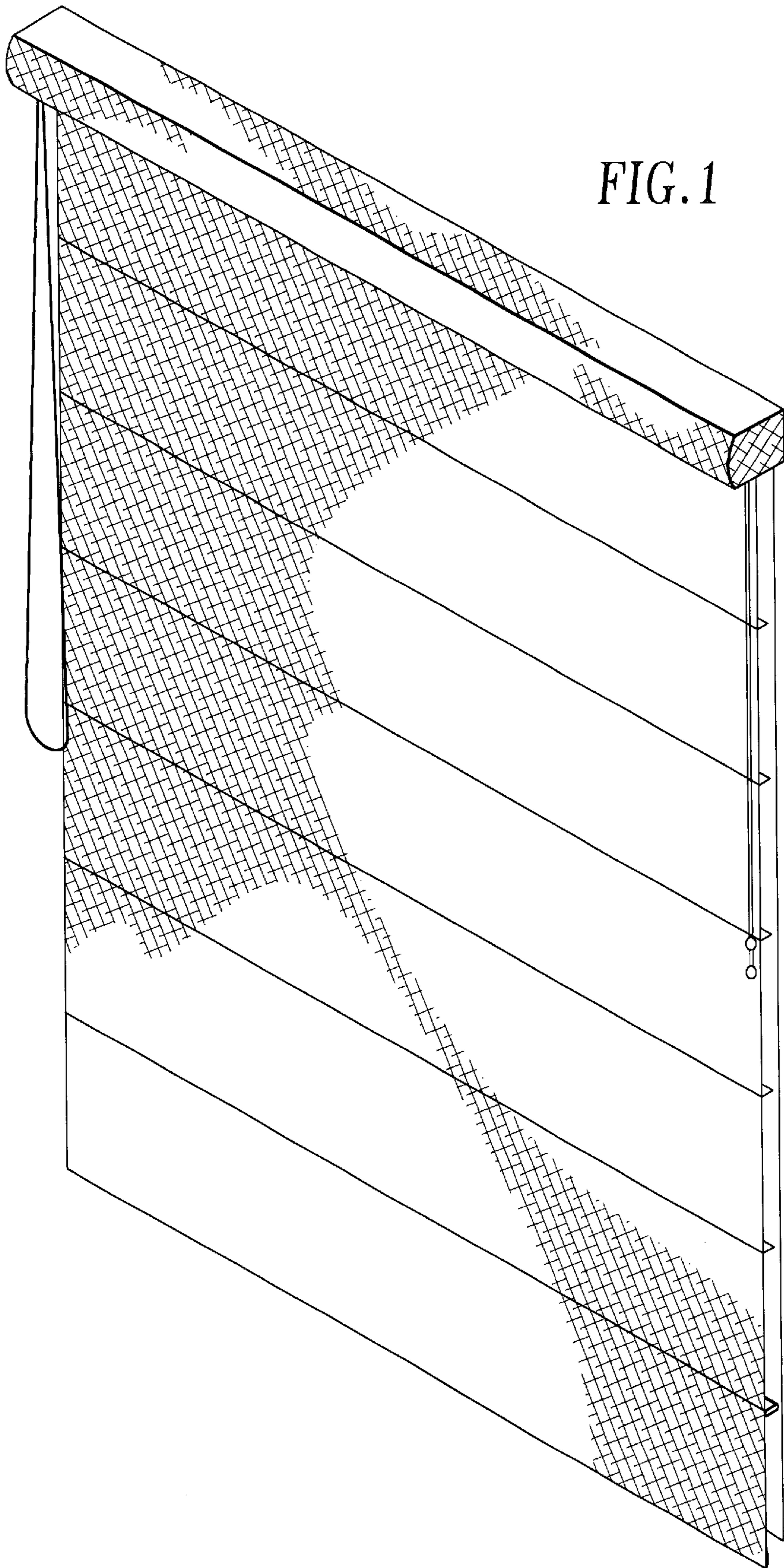
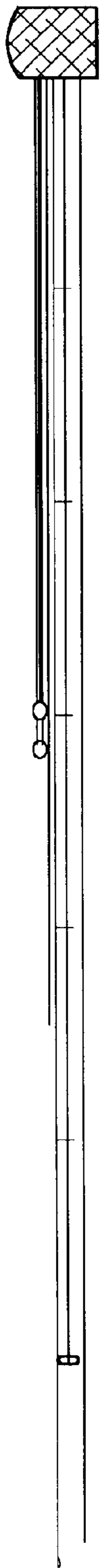
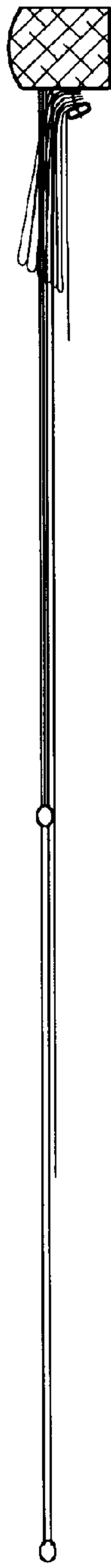


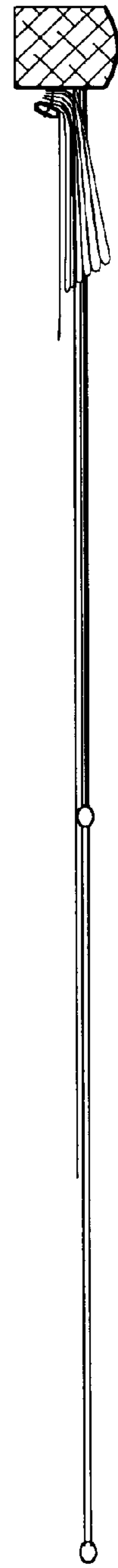
FIG. 1



*FIG. 2*

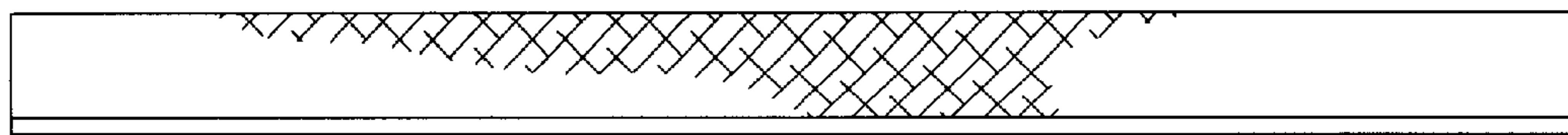


*FIG. 4*

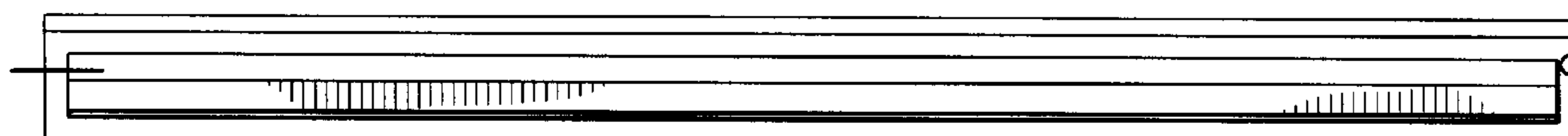
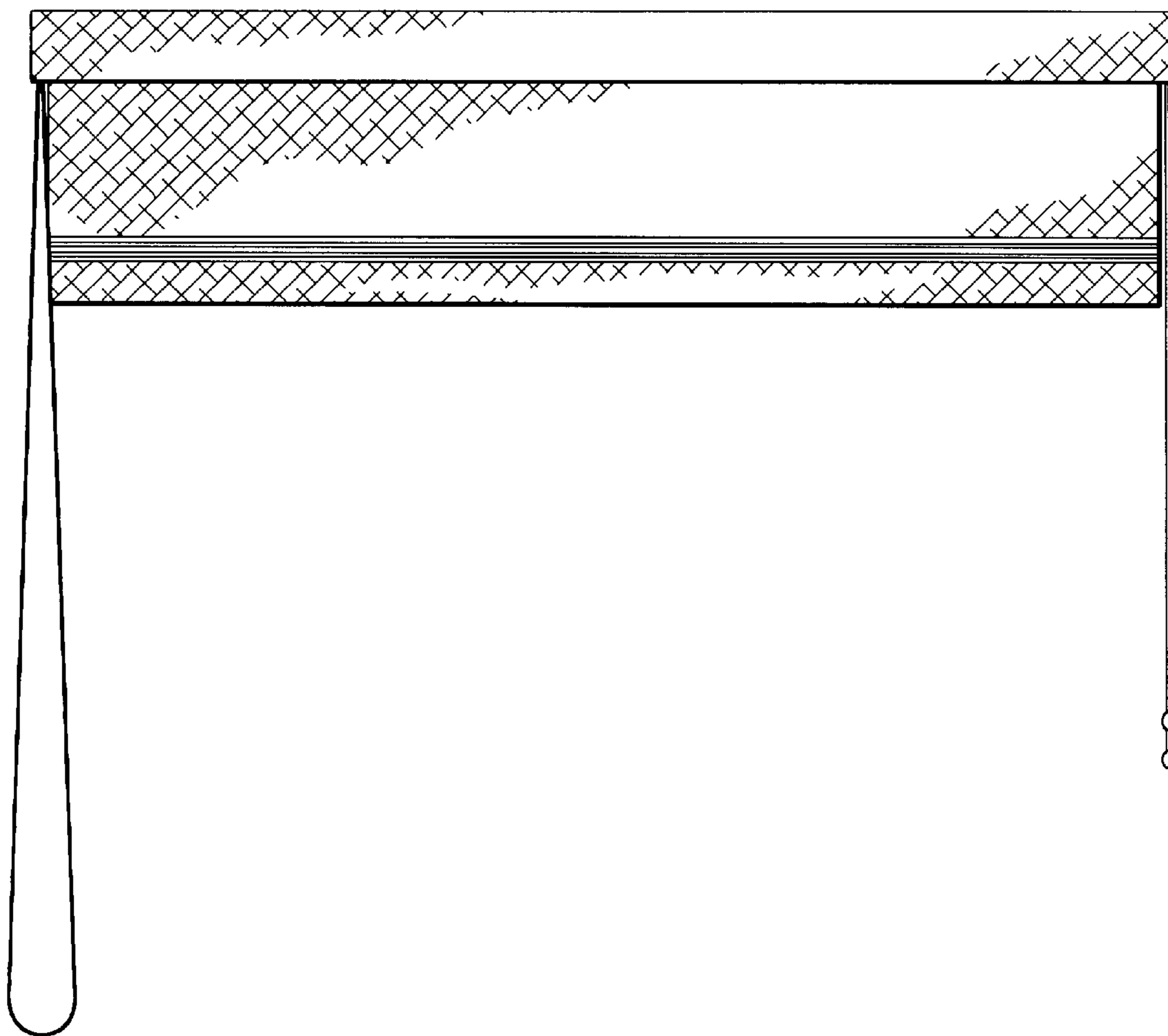


*FIG. 5*

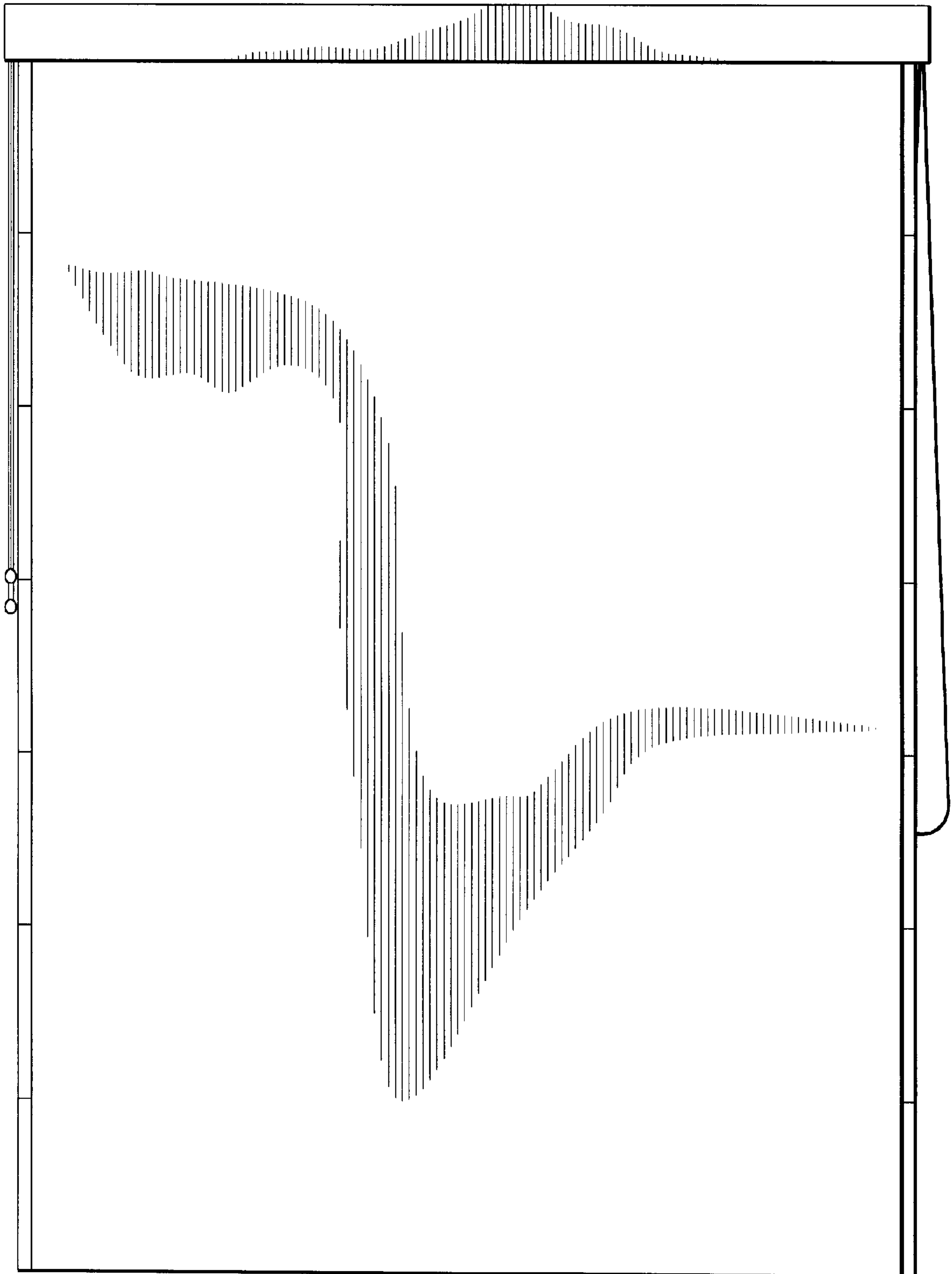
*FIG. 6*



*FIG. 3*



*FIG. 7*



*FIG. 8*