



US00D446069S

(12) **United States Design Patent**
Moore

(10) **Patent No.:** **US D446,069 S**

(45) **Date of Patent:** **** Aug. 7, 2001**

(54) **TOWEL BAR**

(75) **Inventor:** **Glenn David Moore**, Newfoundland,
NJ (US)

(73) **Assignee:** **Melard Manufacturing Corp.**, Passaic,
NJ (US)

(*) **Notice:** This patent is subject to a terminal disclaimer.

(**) **Term:** **14 Years**

(21) **Appl. No.:** **29/122,683**

(22) **Filed:** **May 2, 2000**

(51) **LOC (7) Cl.** **06-04**

(52) **U.S. Cl.** **D6/549**

(58) **Field of Search** D6/518-523, 546-550,
D6/524; 248/309.1, 315; 211/13.1, 16, 86.01,
87.01, 88.04, 123; 242/570, 590, 595, 598

(56) **References Cited**

U.S. PATENT DOCUMENTS

D. 167,892 * 10/1952 Hallward D6/549

D. 334,315 * 3/1993 Bengtson D6/524
D. 361,006 * 8/1995 Sharpe D6/524
D. 369,931 * 5/1996 Shames et al. D6/524
D. 377,570 * 1/1997 Sharpe D6/524
D. 394,970 * 6/1998 Ho D6/549

* cited by examiner

Primary Examiner—Brian N. Vinson

(74) *Attorney, Agent, or Firm*—Edgar A. Zarins; Lloyd D. Doigan

(57) **CLAIM**

The ornamental design for a towel bar, as shown and described.

DESCRIPTION

FIG. 1 is a front elevational view of a towel bar showing my new design;

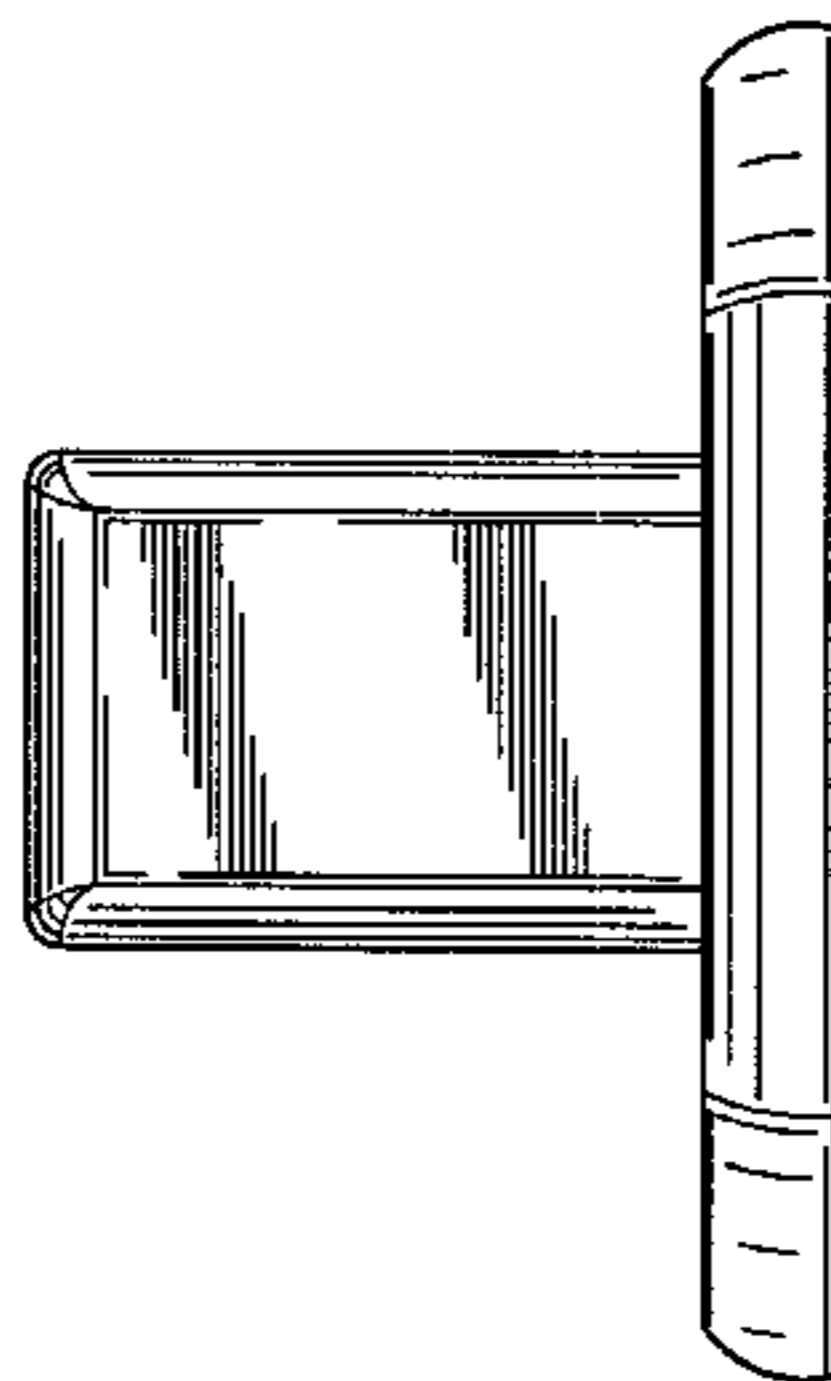
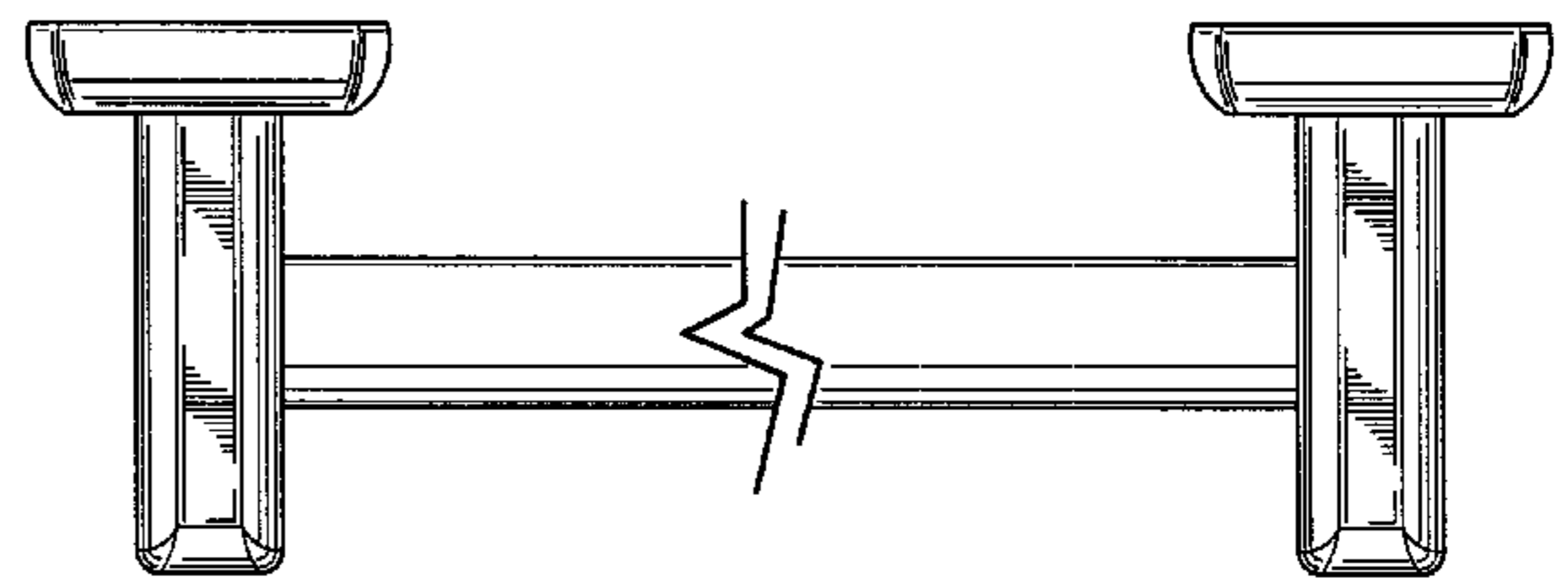
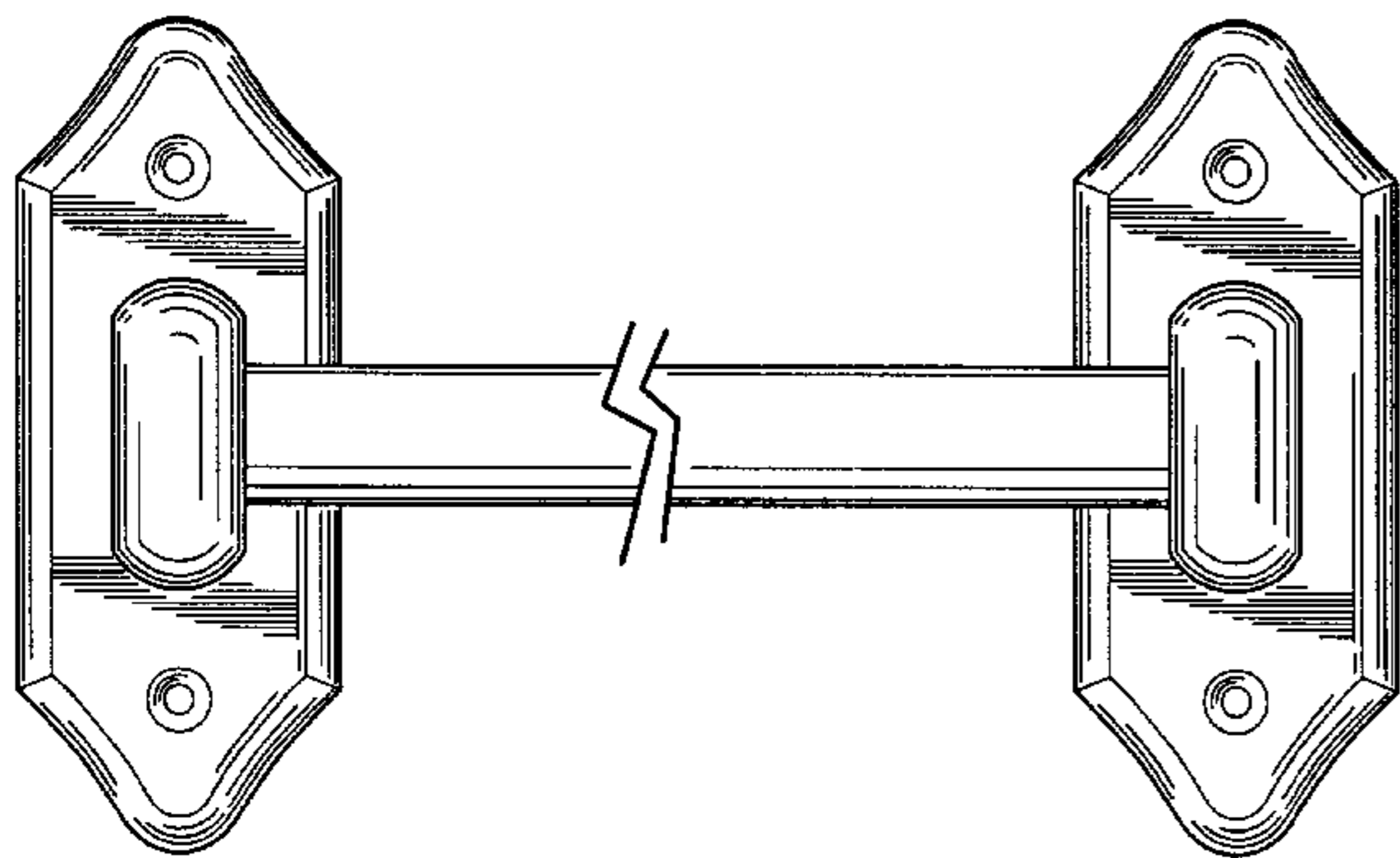
FIG. 2 is a top plan view thereof;

FIG. 3 is a left side view thereof, the opposite side being a mirror image of the side shown; and,

FIG. 4 is a rear elevational view thereof.

The horizontal bar element is shown broken-away in the views to indicate indeterminate length.

1 Claim, 2 Drawing Sheets



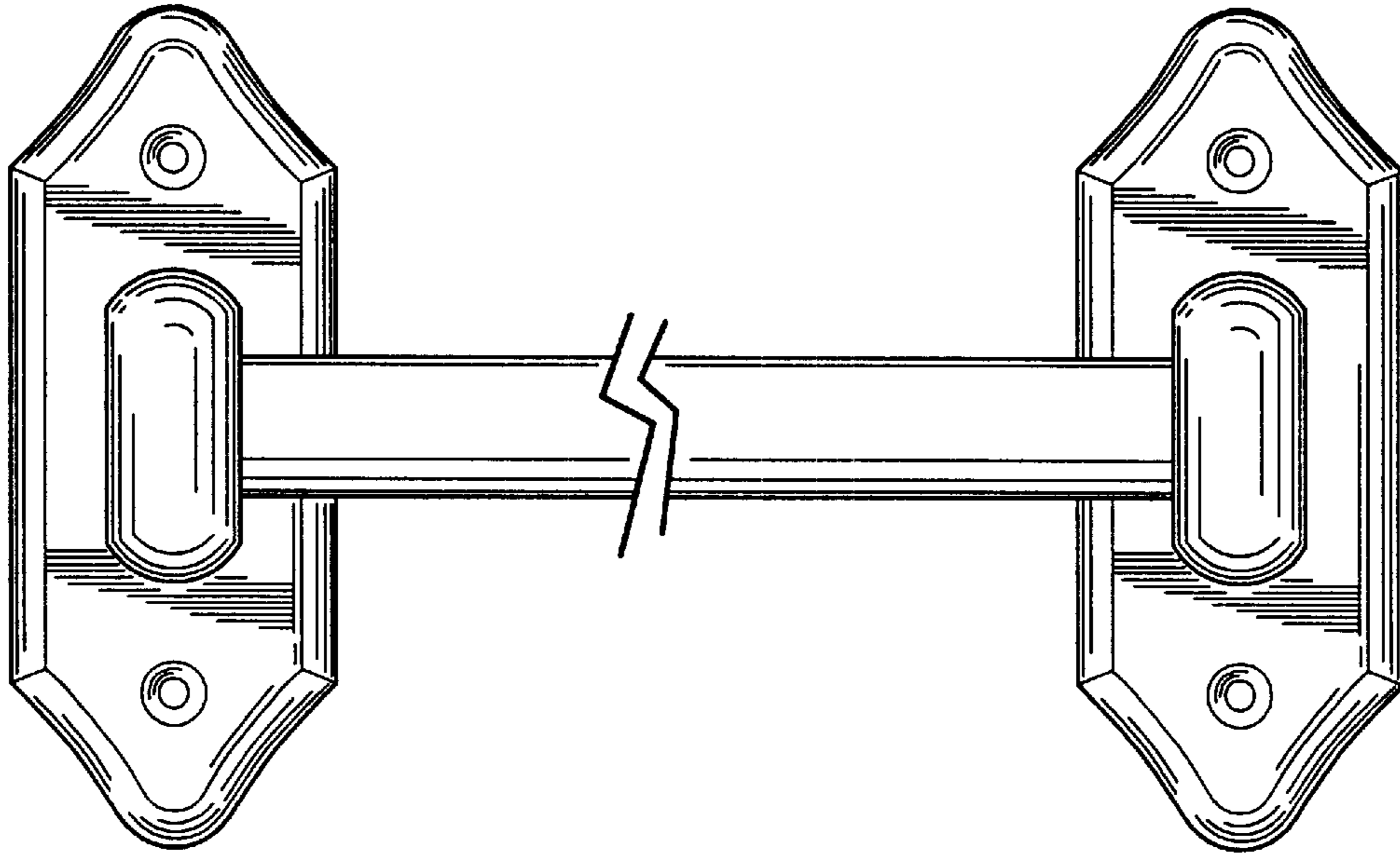


Figure - 1

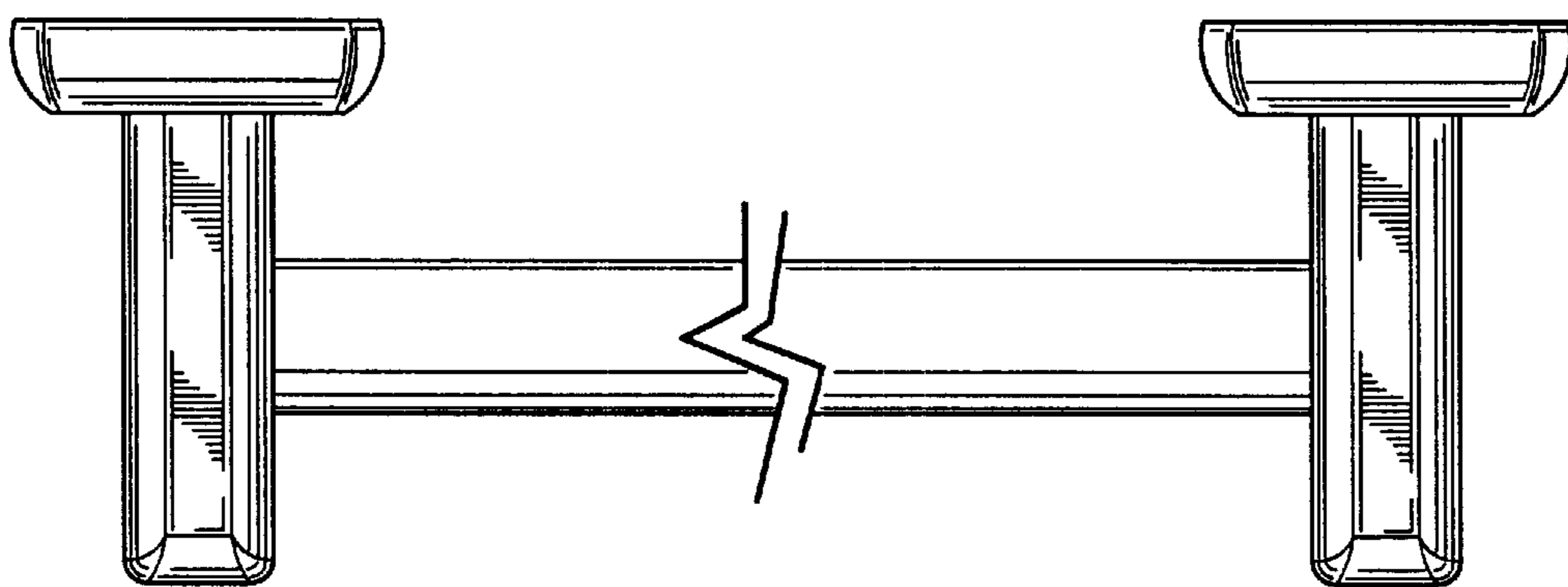


Figure - 2

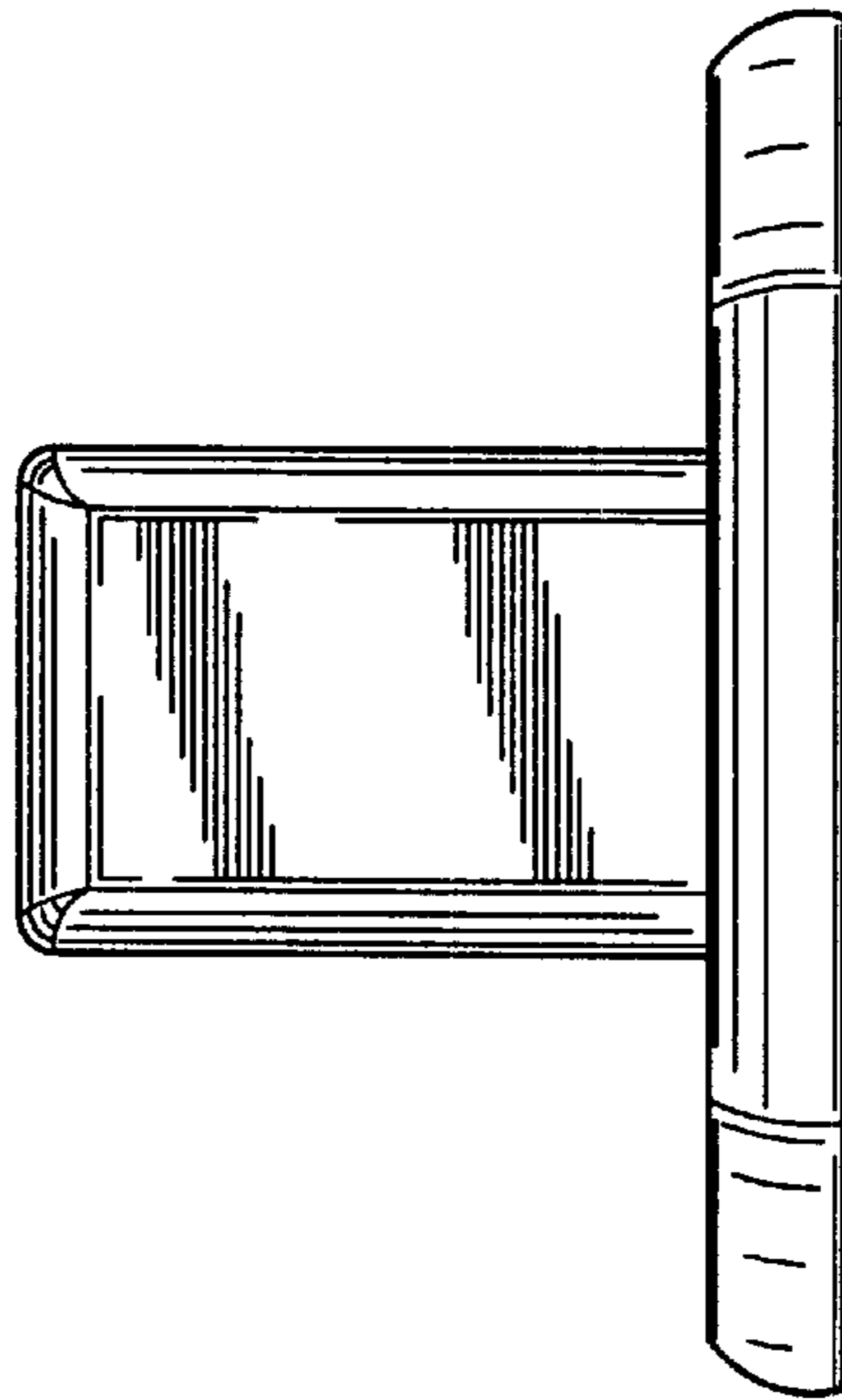


Figure - 3

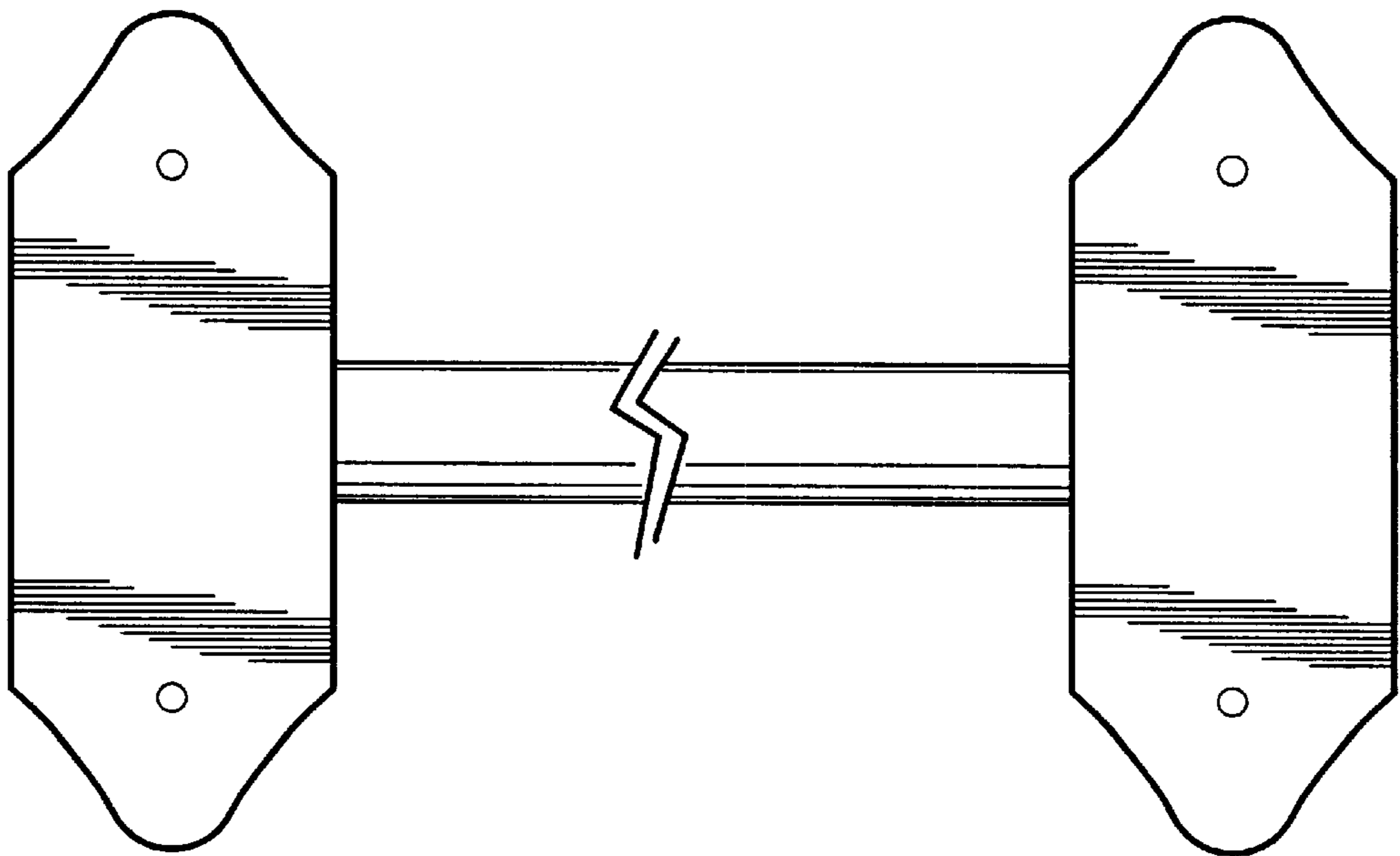


Figure - 4