



US00D446063S

(12) **United States Design Patent**
Quinn

(10) **Patent No.:** **US D446,063 S**

(45) **Date of Patent:** **** Aug. 7, 2001**

(54) **LARGE CENTRAL BIN DRAWER ORGANIZER**

(76) **Inventor:** **Forrest Quinn**, 25 Via Lucca #J-436,
Irvine, CA (US) 92612

(**) **Term:** **14 Years**

(21) **Appl. No.:** **29/121,511**

(22) **Filed:** **Apr. 5, 2000**

(51) **LOC (7) Cl.** **06-06**

(52) **U.S. Cl.** **D6/510**

(58) **Field of Search** D6/491, 510, 511;
D7/553.2, 637-641, 701, 708; 211/126.1,
133.6, 183, 70.7; D19/75, 77; 206/557,
561, 562; 312/348.3, 348.4

(56) **References Cited**

U.S. PATENT DOCUMENTS

D. 132,963	*	4/1942	Salomon	D6/510
D. 199,580	*	11/1964	Boyd	D7/553.2
D. 224,730	*	9/1972	Propst et al.	D6/510
D. 235,956	*	7/1975	Noneman et al.	D6/510
D. 256,809	*	9/1980	Evanson	D19/75
D. 278,254	*	4/1985	Evanson	D19/75
D. 301,590	*	6/1989	Foran et al.	D19/77
D. 332,553	*	1/1993	Giugiaro	D7/637
D. 349,815	*	8/1994	Wolff	D6/510 X
D. 378,533	*	3/1997	Wolff	D6/510 X

D. 397,274	*	8/1998	Hise	D7/637
D. 402,130	*	12/1998	Wolff	D6/511 X
D. 402,855	*	12/1998	Zapata	D7/637
D. 421,554	*	3/2000	Govrik et al.	D7/637
5,242,223	*	9/1993	Koves	312/348.3
5,265,735	*	11/1993	Hassel et al.	211/126.1 X

* cited by examiner

Primary Examiner—Cathron C. Brooks

(74) *Attorney, Agent, or Firm*—Gene Scott-Patent Law & Venture Group

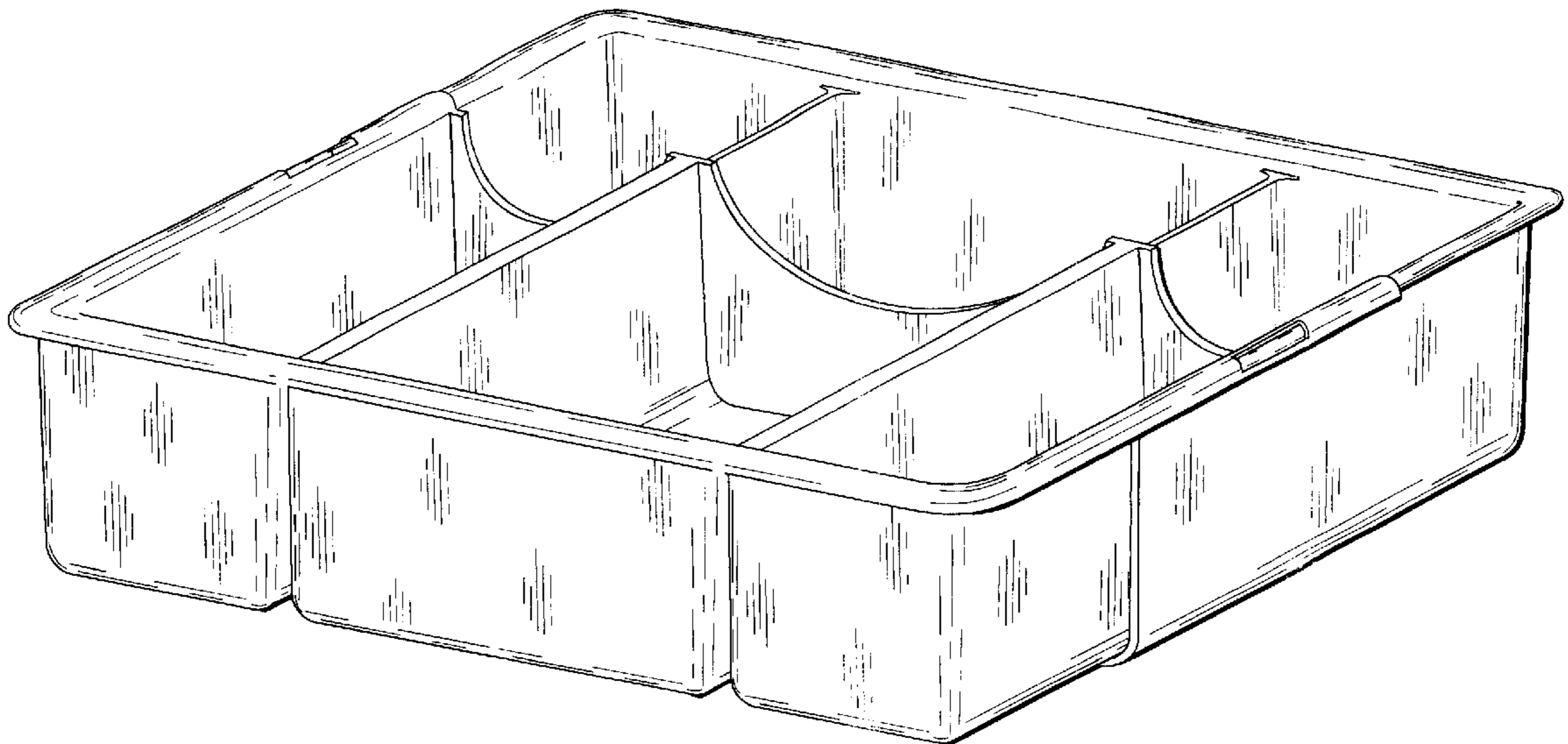
(57) **CLAIM**

The ornamental design for a large central bin drawer organizer, as shown and described.

DESCRIPTION

FIG. 1 is a perspective view of a large central bin drawer organizer, showing my new design;
 FIG. 2 is an interior elevational view of one half thereof;
 FIG. 3 is an interior elevational view of a second half thereof;
 FIG. 4 is a top plan view thereof;
 FIG. 5 is a bottom plan view thereof;
 FIG. 6 is a front elevational view thereof;
 FIG. 7 is a rear elevational view thereof; and,
 FIG. 8 is a left side elevational view thereof, the right side elevational view being a mirror image of the left side.

1 Claim, 3 Drawing Sheets



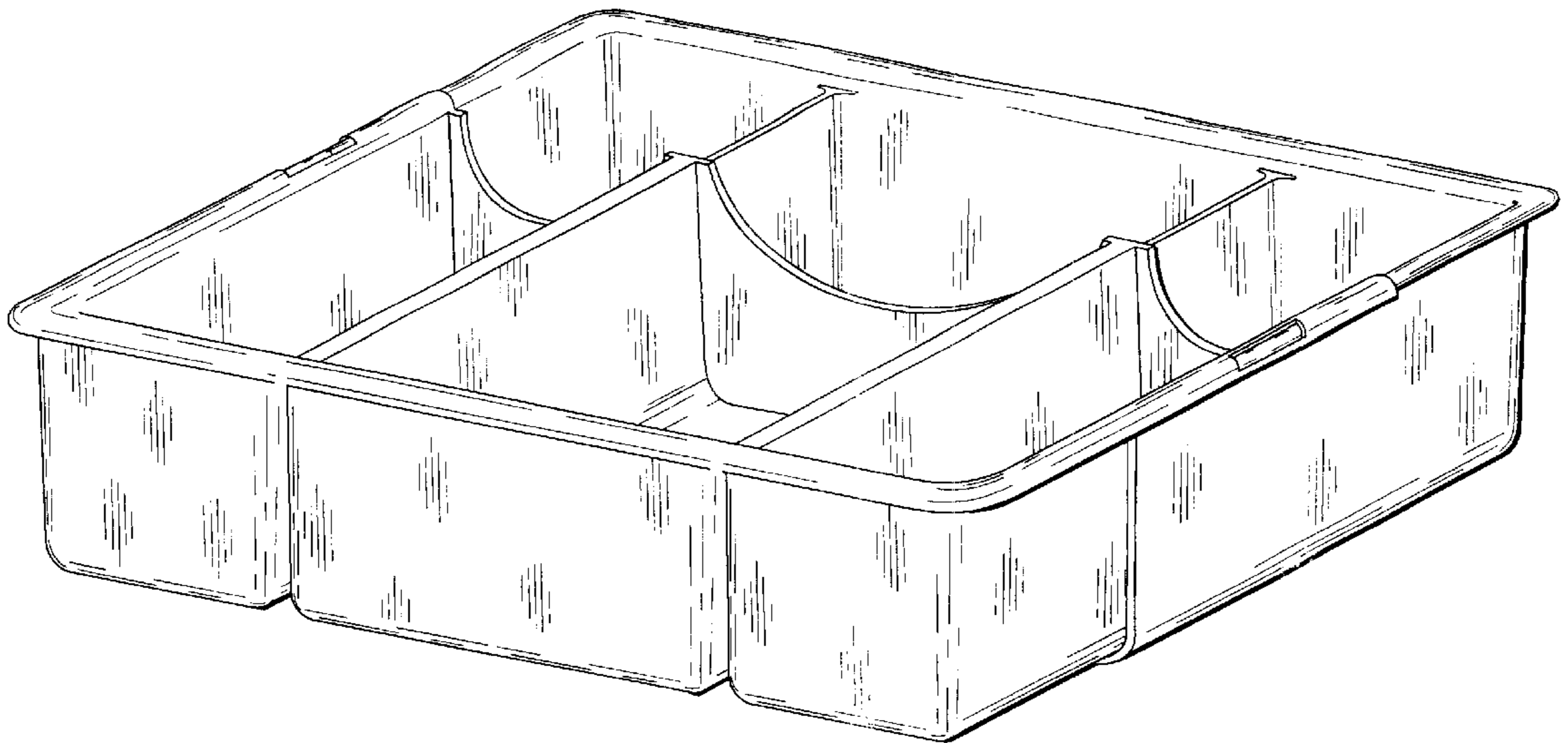


Fig. 1

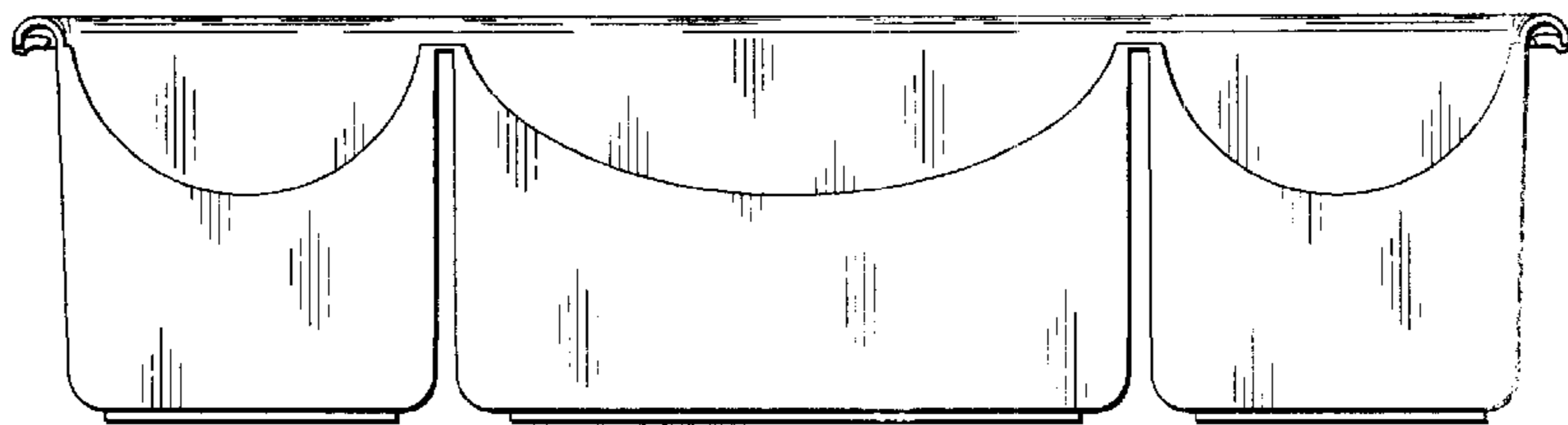


Fig. 2

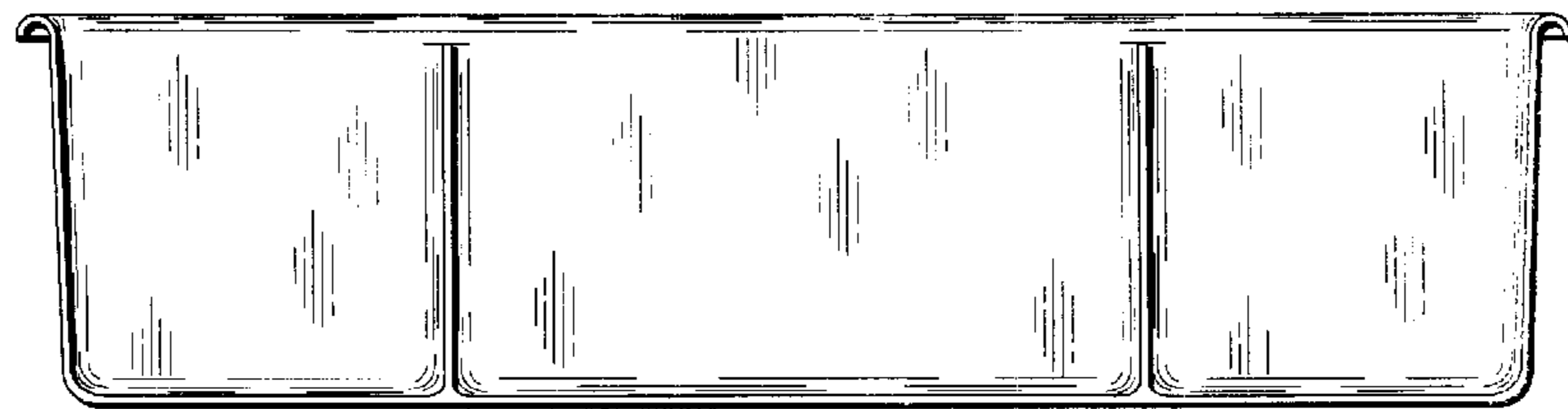


Fig. 3

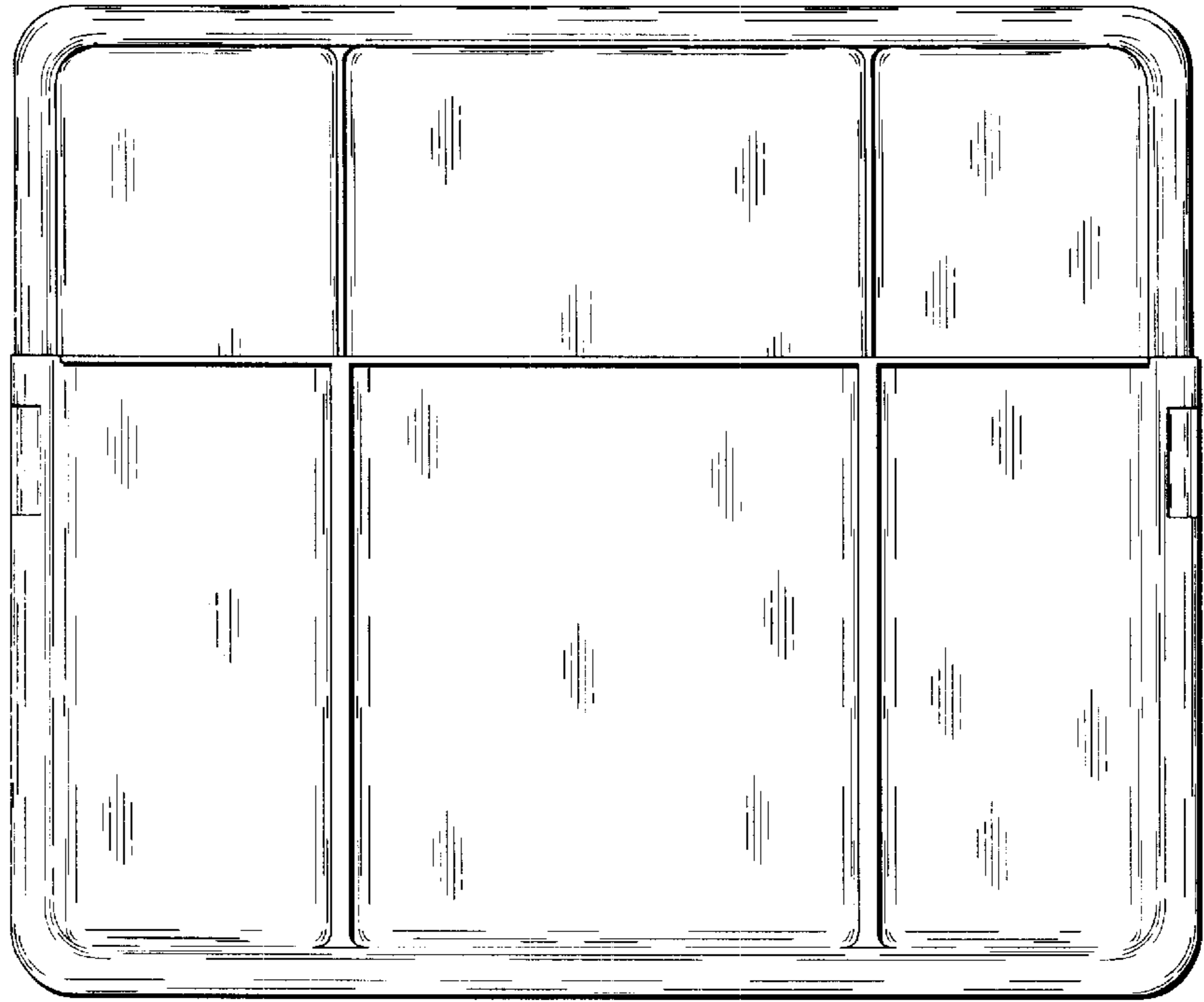


Fig. 4

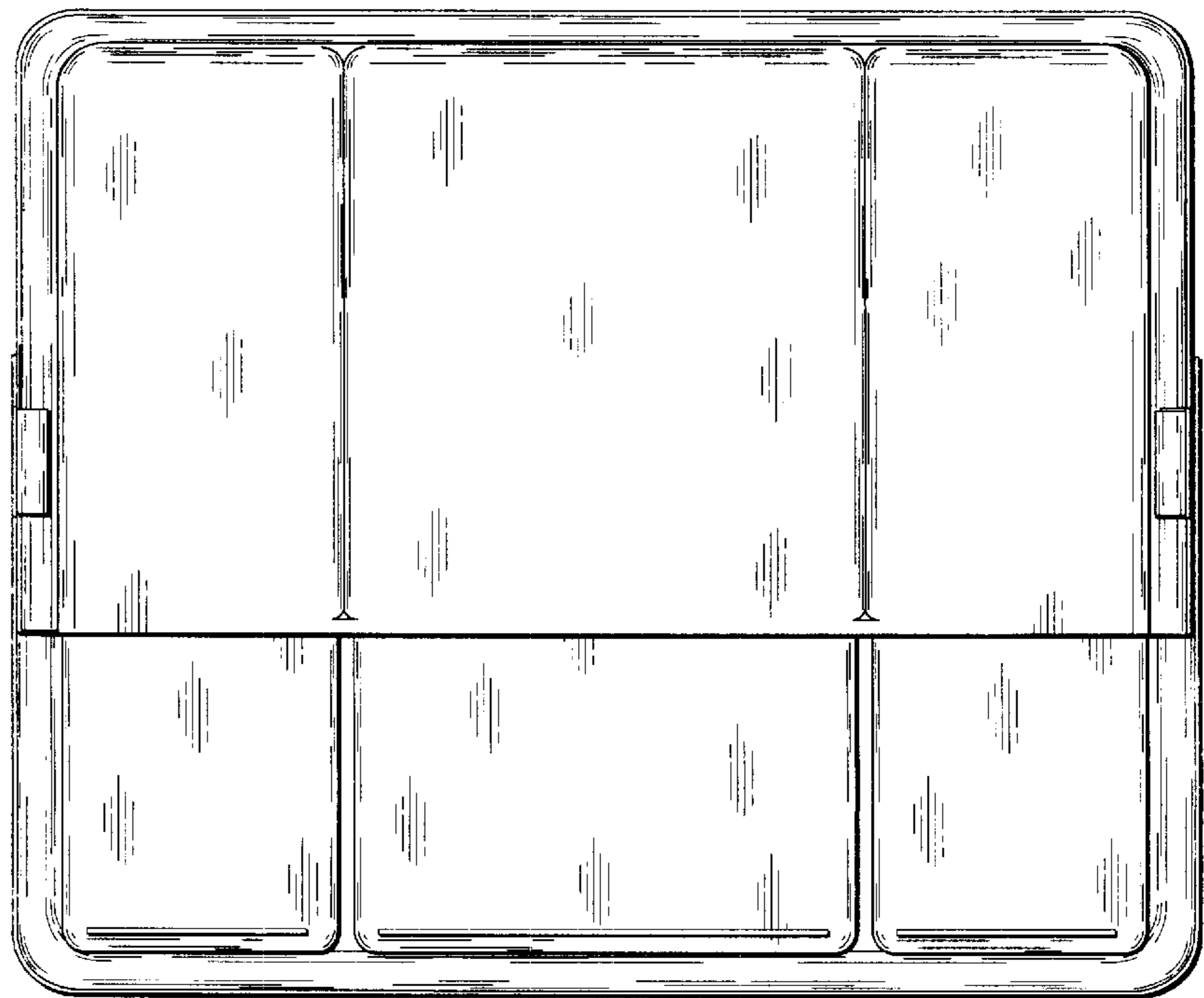


Fig. 5

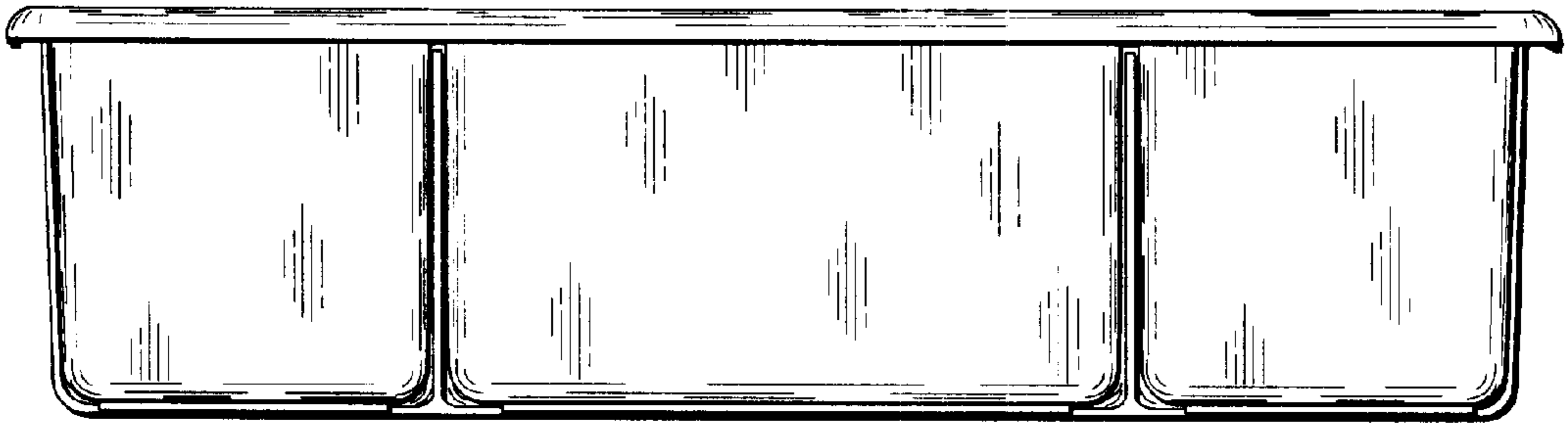


Fig. 6

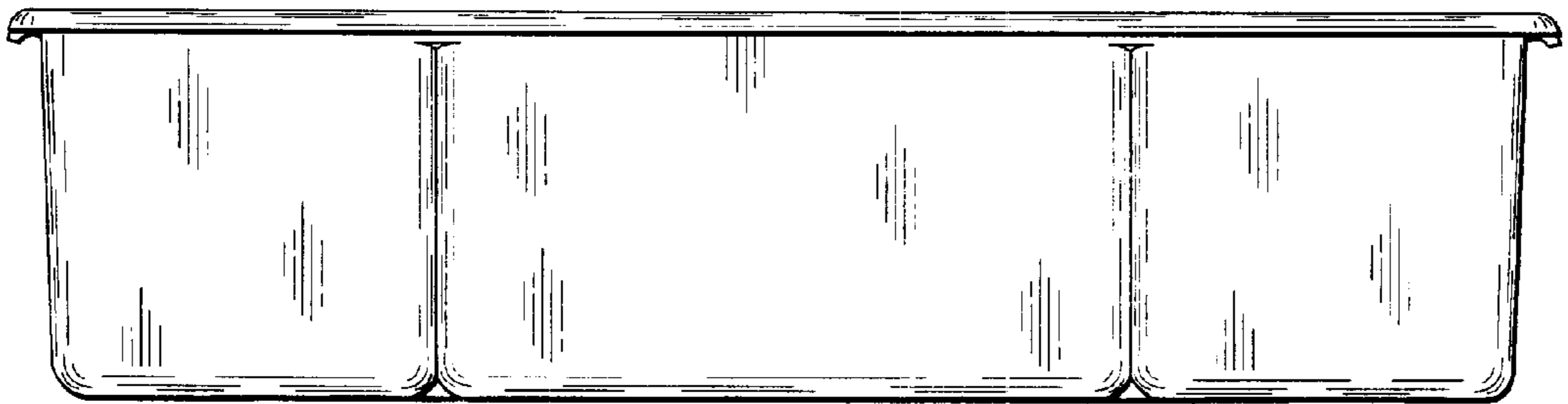


Fig. 7

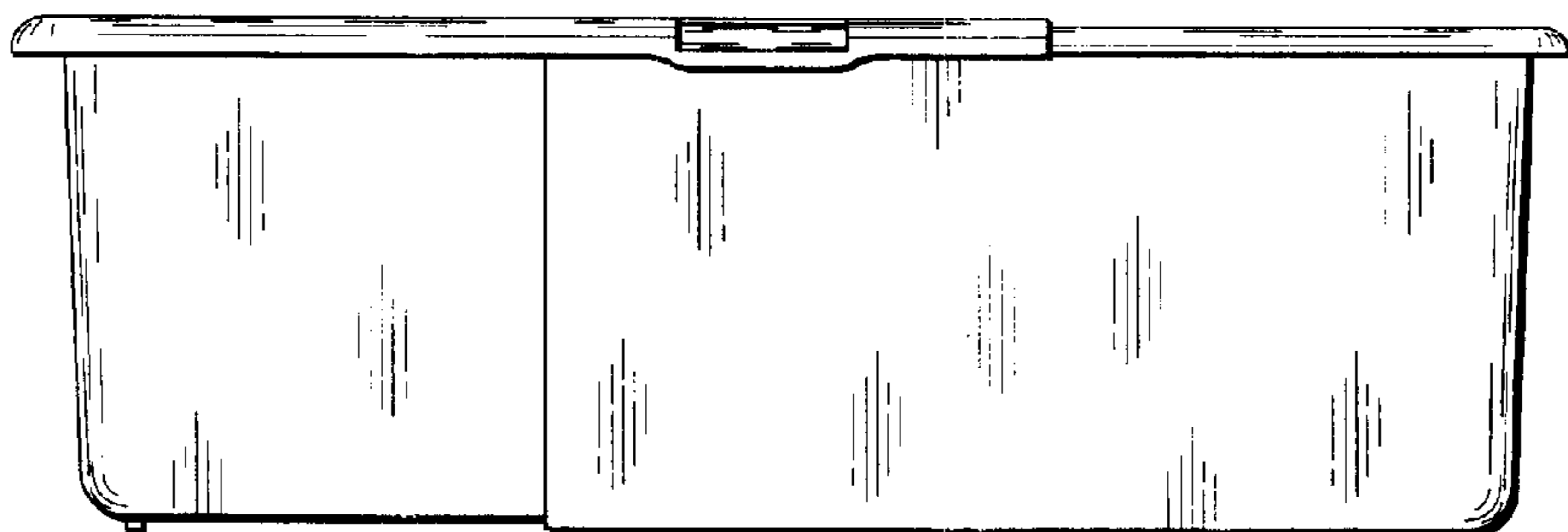


Fig. 8