



US00D446062S

(12) **United States Design Patent**
Su

(10) **Patent No.:** **US D446,062 S**

(45) **Date of Patent:** **** Aug. 7, 2001**

(54) **ARMREST**

(76) **Inventor:** **Tung-Hua Su**, No. 16, Alley 23, Lane 900, Min Sheng St., Kuei Jen, Tainan Hsien (TW)

(**) **Term:** **14 Years**

(21) **Appl. No.:** **29/130,642**

(22) **Filed:** **Oct. 6, 2000**

(51) **LOC (7) Cl.** **06-06**

(52) **U.S. Cl.** **D6/501; D6/366**

(58) **Field of Search** D6/334, 364, 365, D6/366, 367, 379, 500, 501, 502; 297/411.2, 411.27

(56) **References Cited**

U.S. PATENT DOCUMENTS

- D. 393,755 * 4/1998 Nemeth, Jr. D6/366
- D. 407,911 * 4/1999 Bräuning D6/366
- D. 410,808 * 6/1999 Baumann et al. D6/500

- D. 417,349 * 12/1999 Donati D6/501
- D. 420,224 * 2/2000 Olson D6/366
- D. 437,701 * 2/2001 Bellini et al. D6/366

* cited by examiner

Primary Examiner—Gary D. Watson

(74) *Attorney, Agent, or Firm*—Charles E. Baxley

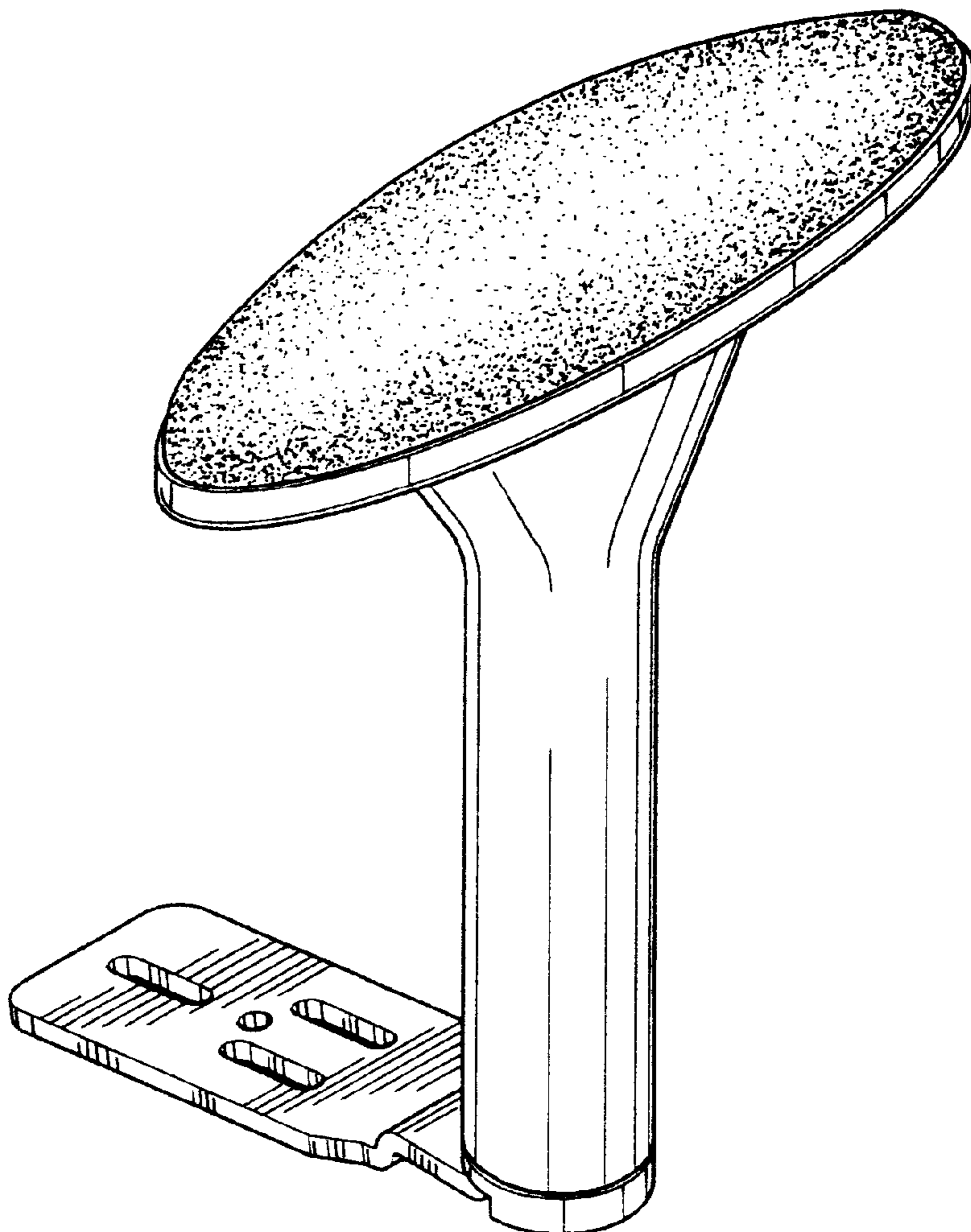
(57) **CLAIM**

The ornamental design for armrest, as shown.

DESCRIPTION

FIG. 1 is a perspective view of armrest showing my new design;
 FIG. 2 is a front elevation view thereof;
 FIG. 3 is a rear elevation view thereof;
 FIG. 4 is a left side elevation view thereof;
 FIG. 5 is a right side elevation view thereof;
 FIG. 6 is a top plan view thereof; and,
 FIG. 7 is a bottom plan view thereof.

1 Claim, 4 Drawing Sheets



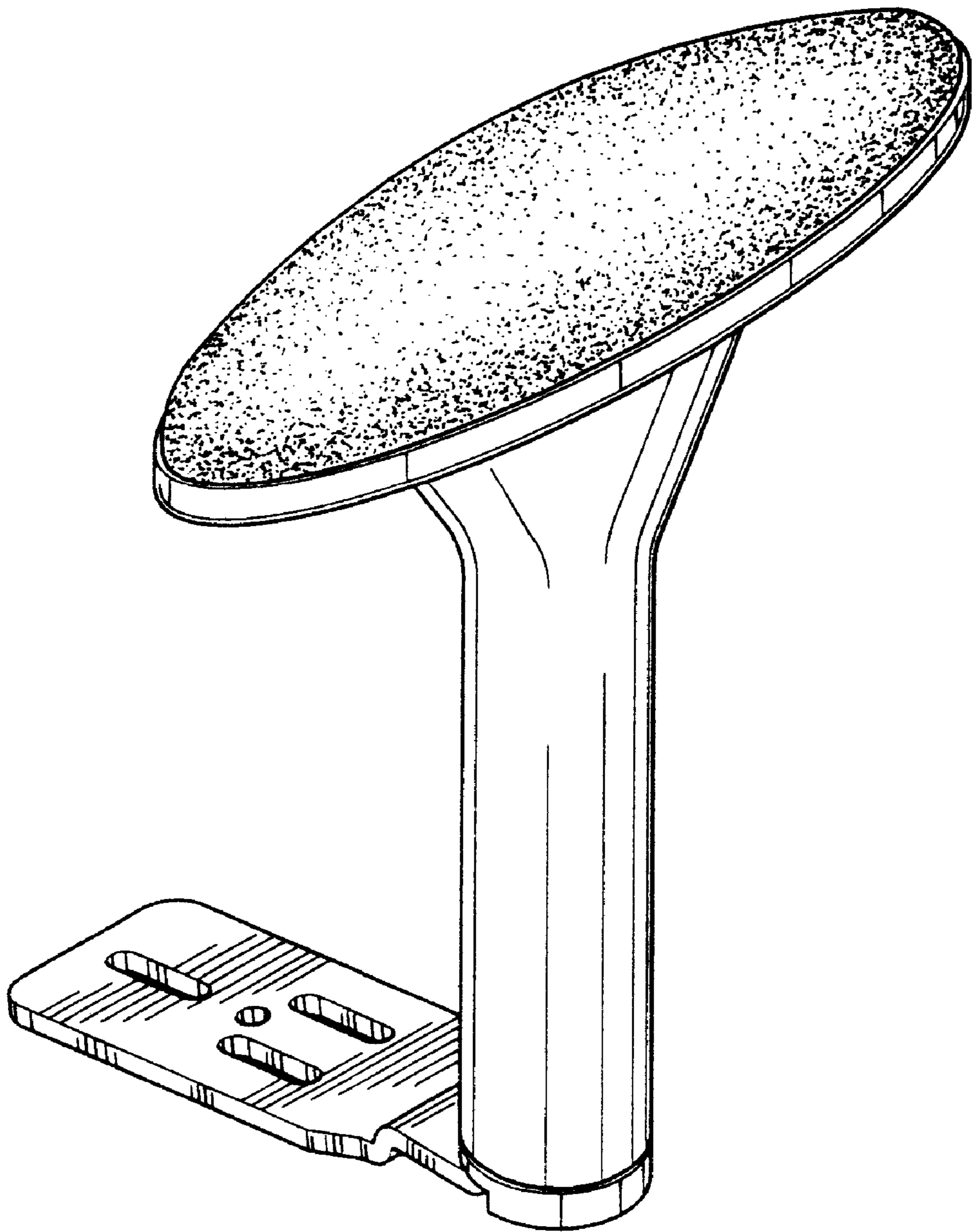


FIG. 1

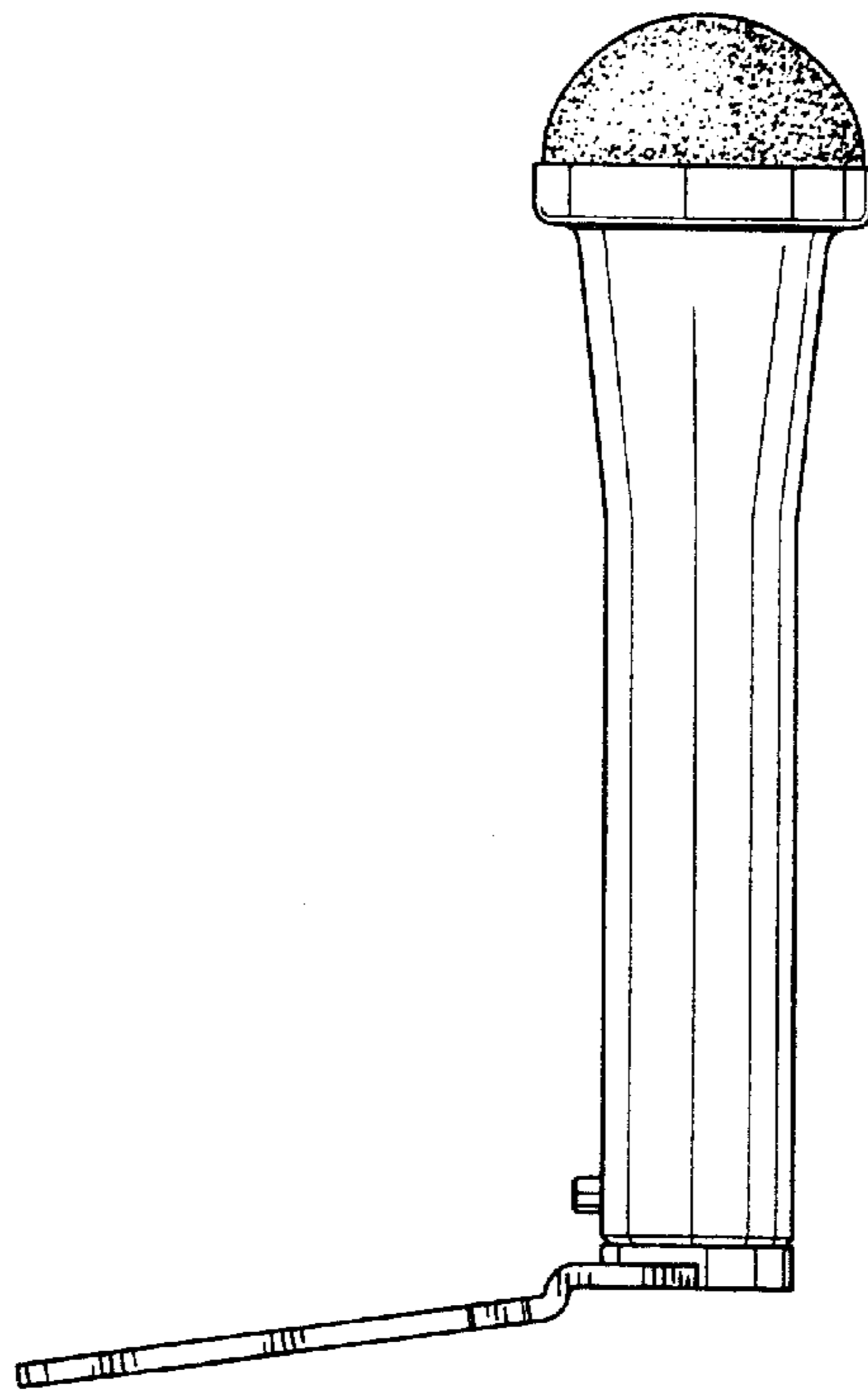


FIG. 2

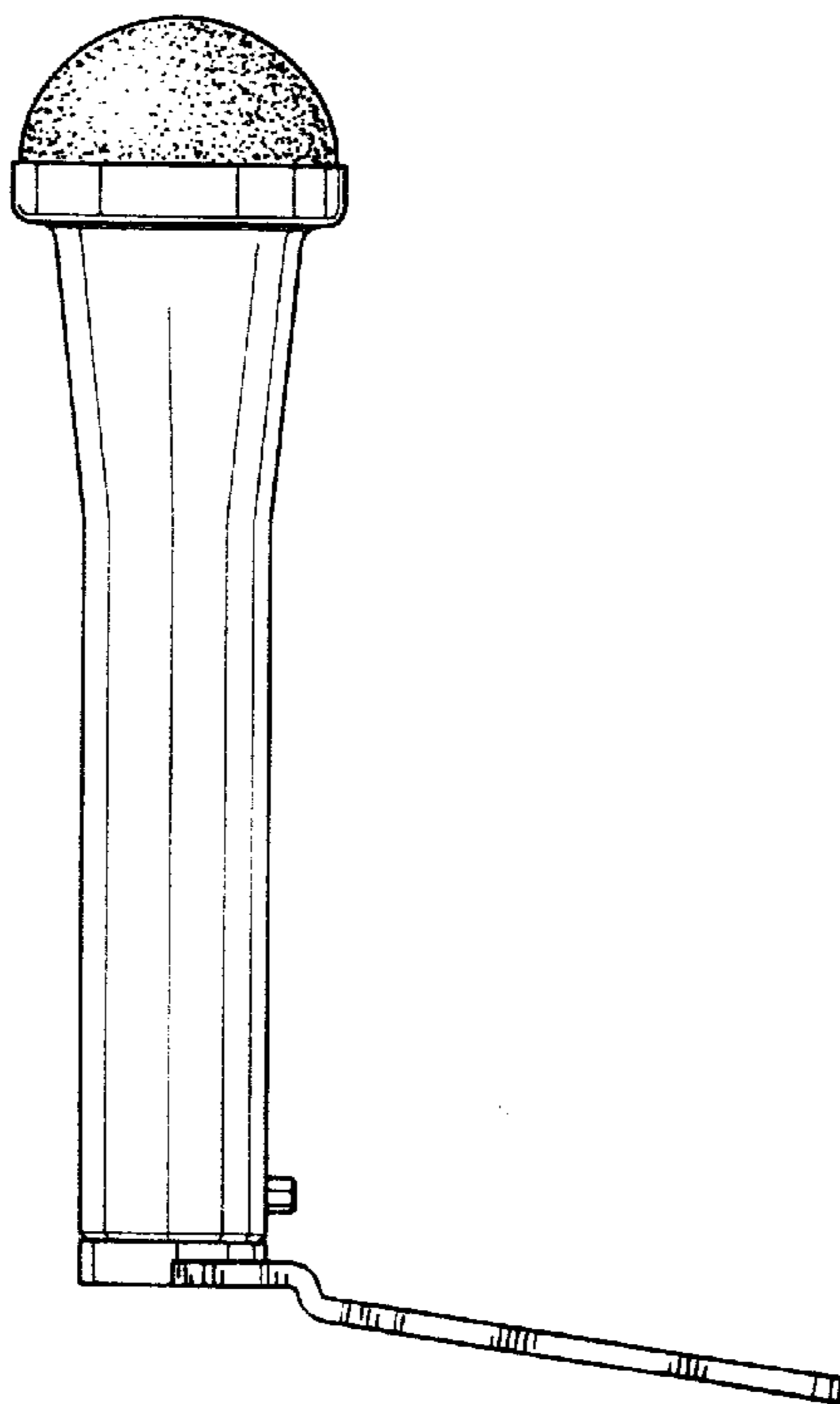


FIG. 3

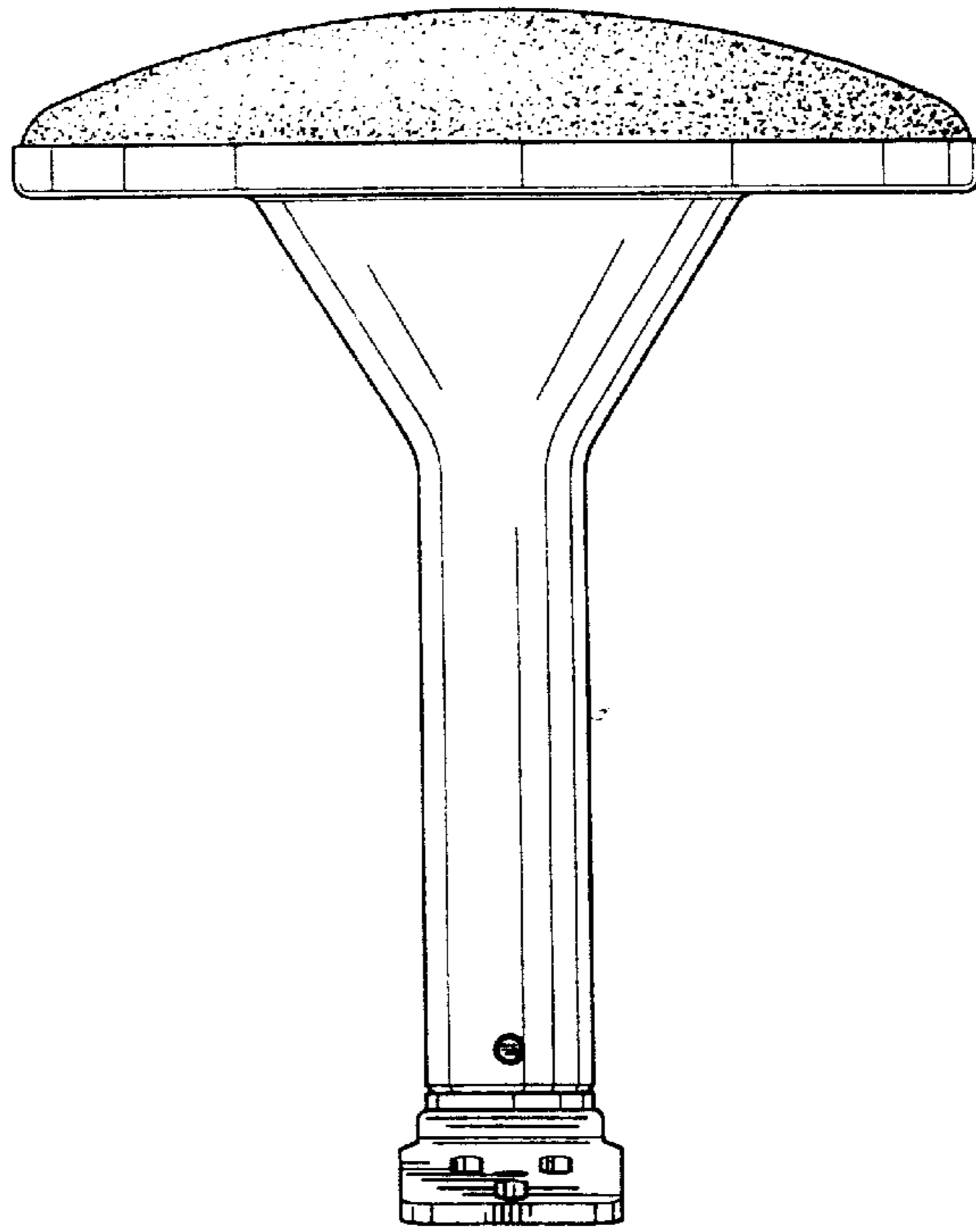


FIG. 4

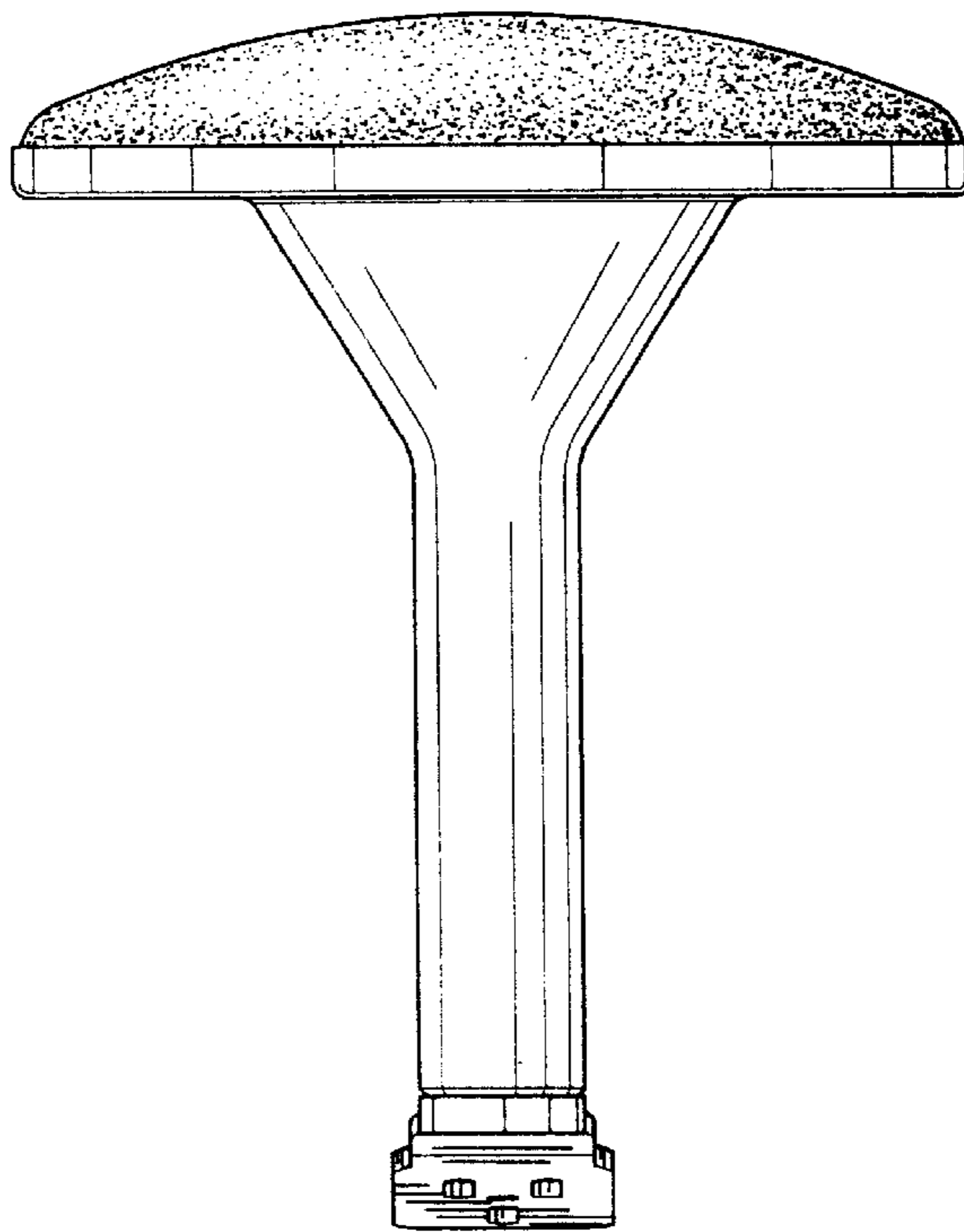


FIG. 5

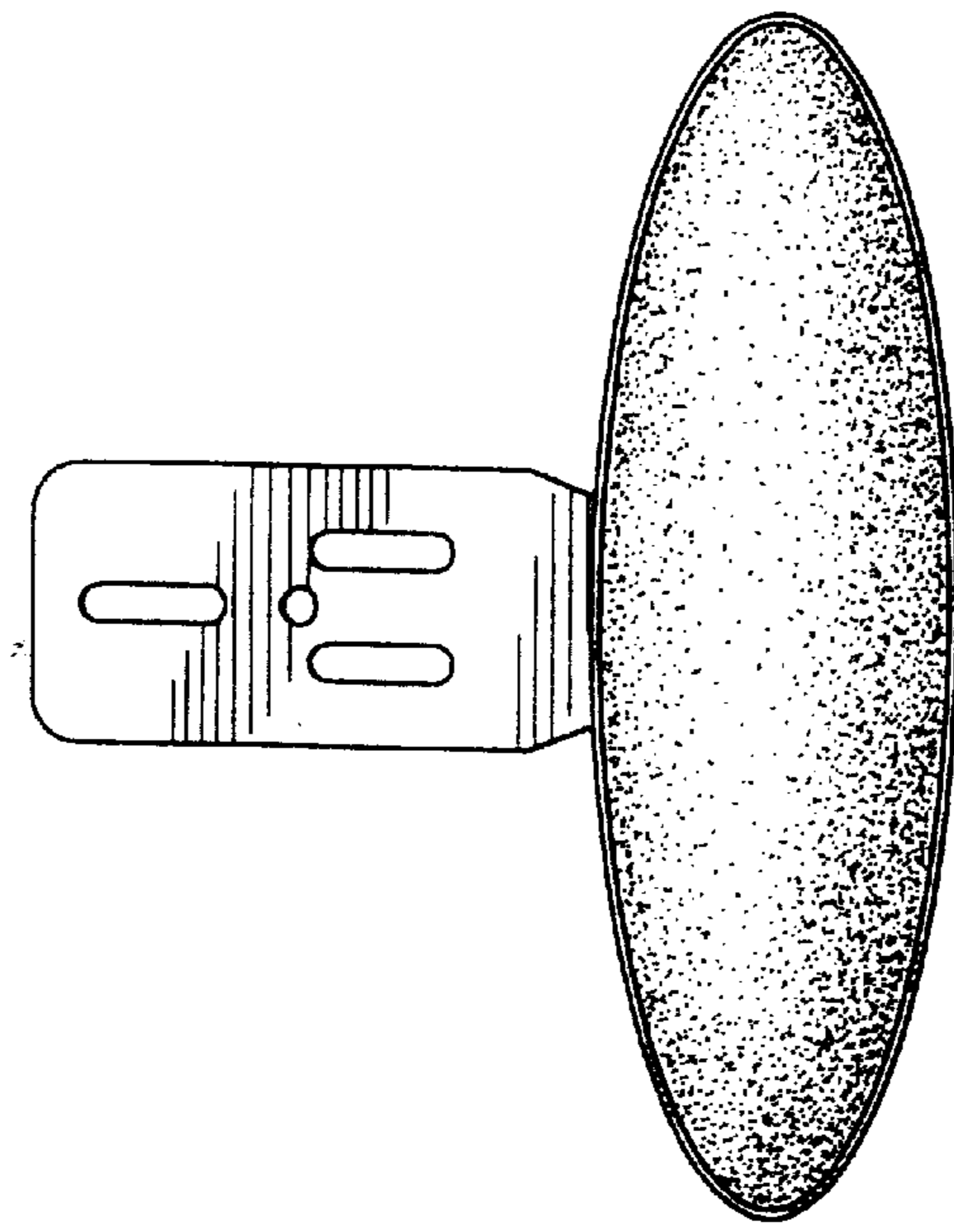


FIG. 6

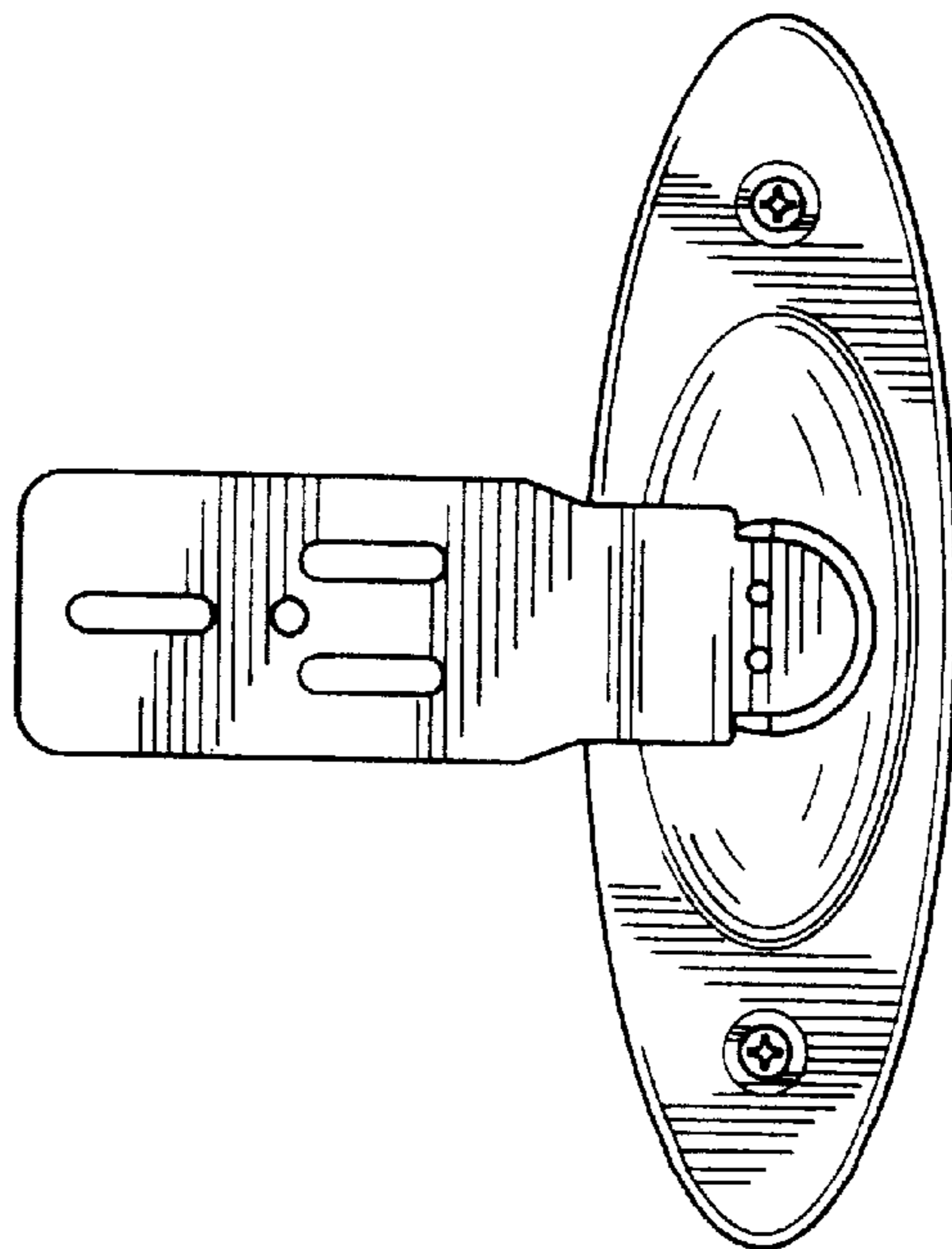


FIG. 7