



US00D446060S

(12) **United States Design Patent**  
**Skalka**

(10) **Patent No.:** **US D446,060 S**

(45) **Date of Patent:** **\*\* Aug. 7, 2001**

(54) **MODULAR CHAIR COMPONENT**

(75) **Inventor:** **Gerald P. Skalka, Potomac, MD (US)**

(73) **Assignee:** **Victor Stanley, Inc., Dunkirk, MD (US)**

(\*\*) **Term:** **14 Years**

(21) **Appl. No.:** **29/133,004**

(22) **Filed:** **Nov. 21, 2000**

**Related U.S. Application Data**

(62) Division of application No. 29/099,046, filed on Jan. 12, 1999, now Pat. No. Des. 438,035.

(51) **LOC (7) Cl.** ..... **06-06**

(52) **U.S. Cl.** ..... **D6/500**

(58) **Field of Search** ..... D6/334, 366, 368, D6/369, 370, 374, 376, 379, 380, 381, 500-502; 297/232, 452.1, 452.46, 452.63

(56) **References Cited**

**U.S. PATENT DOCUMENTS**

D. 224,634 \* 8/1972 Kohl et al. .... D6/358

D. 381,536	*	7/1997	Kane	.....	D6/500
D. 383,627	*	9/1997	Kane	.....	D6/500
D. 385,442	*	10/1997	Kane	.....	D6/500
D. 386,333	*	11/1997	Kane	.....	D6/500
D. 407,570	*	4/1999	Frauenberger	.....	D6/368
5,083,838	*	1/1992	Maxwell, Jr.	.....	297/323

\* cited by examiner

*Primary Examiner*—Doris V. Coles

*Assistant Examiner*—Mimosa De

(74) *Attorney, Agent, or Firm*—Jacobson Holman PLLC

(57) **CLAIM**

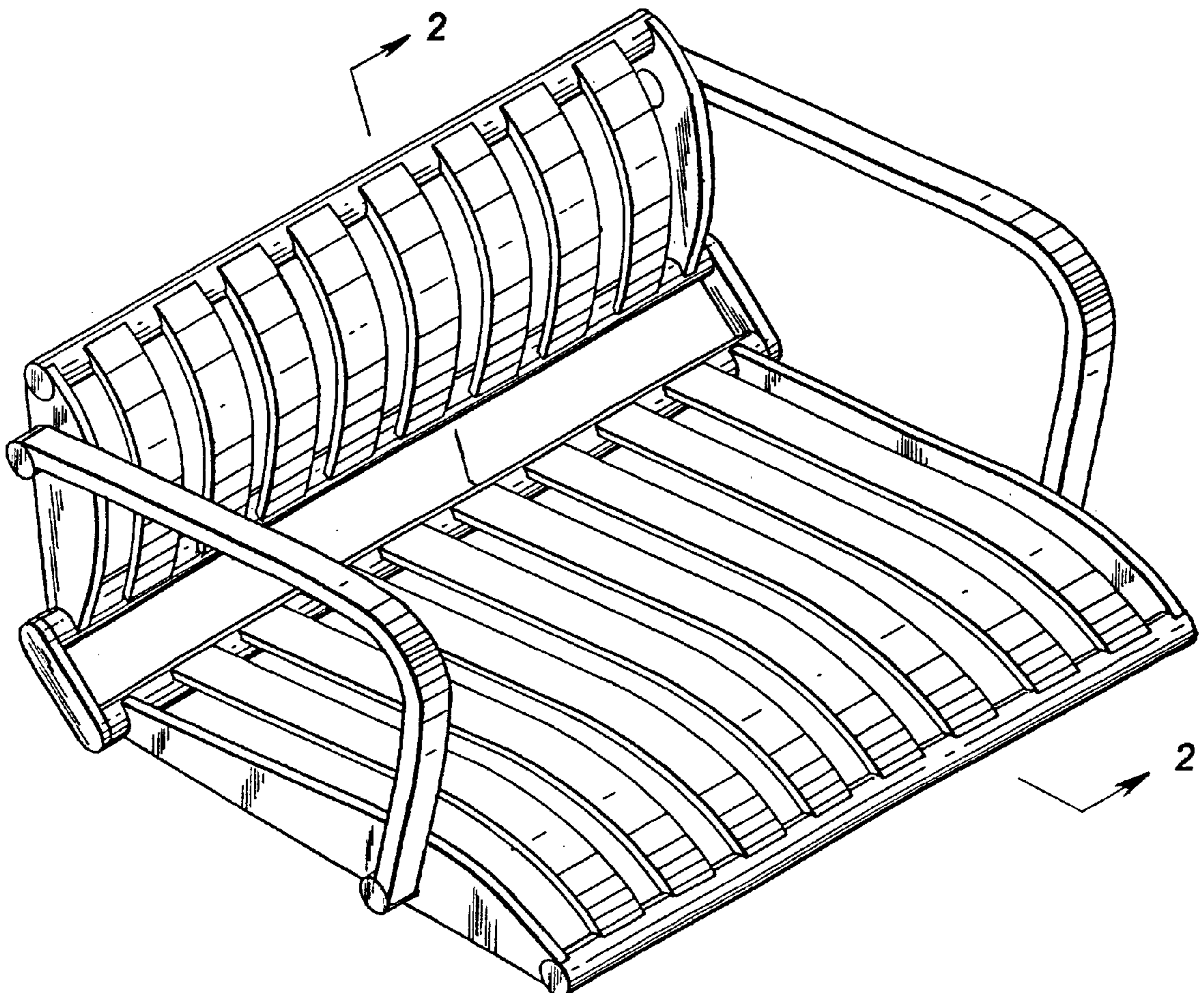
The ornamental design for a modular chair component, as shown.

**DESCRIPTION**

FIG. 1 is a perspective view of a modular chair component showing my new design; and,

FIG. 2 is a cross-sectional view of the modular chair component of FIG. 1, taken along line 2—2 of FIG. 1.

**1 Claim, 1 Drawing Sheet**



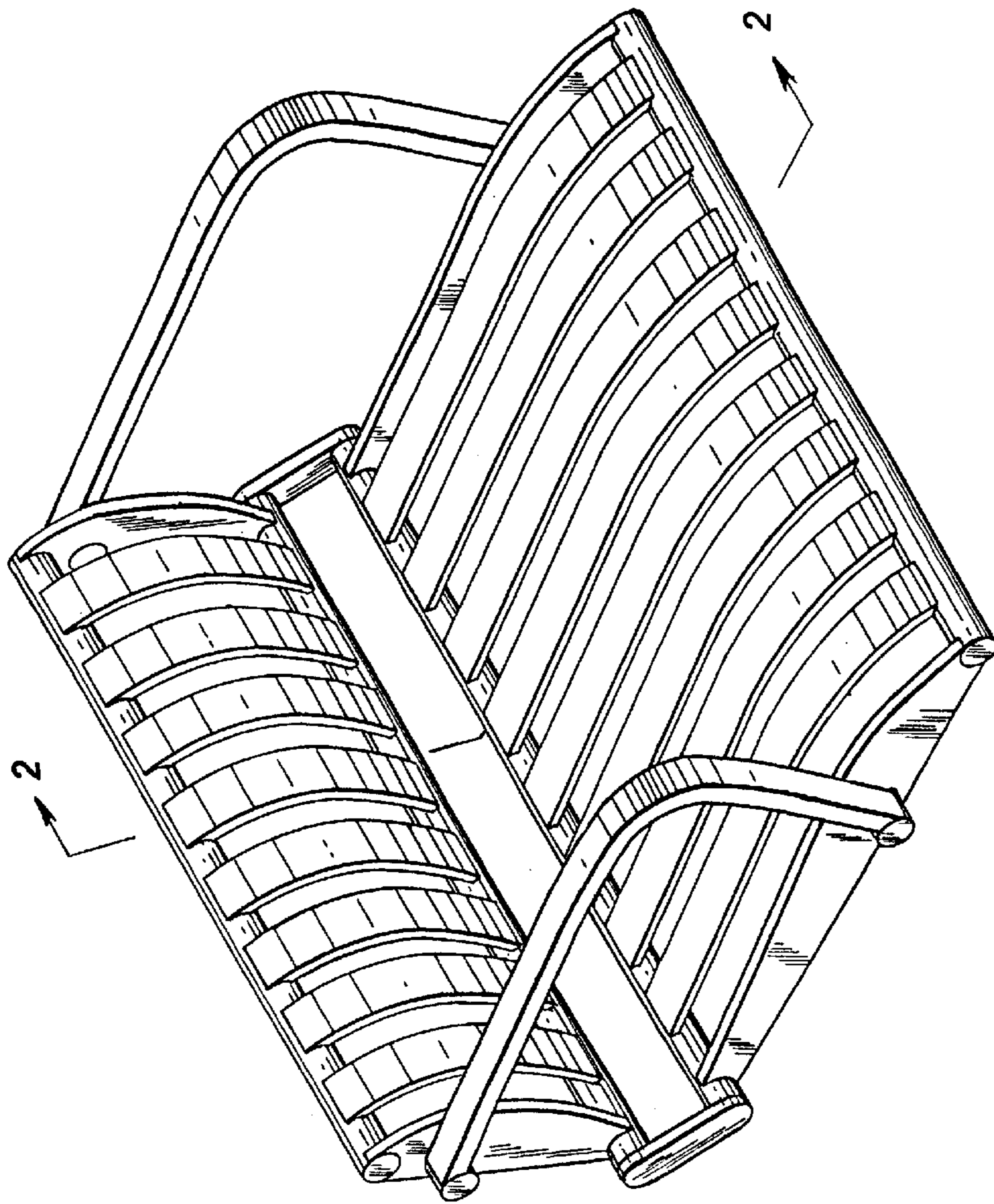


FIG. 1

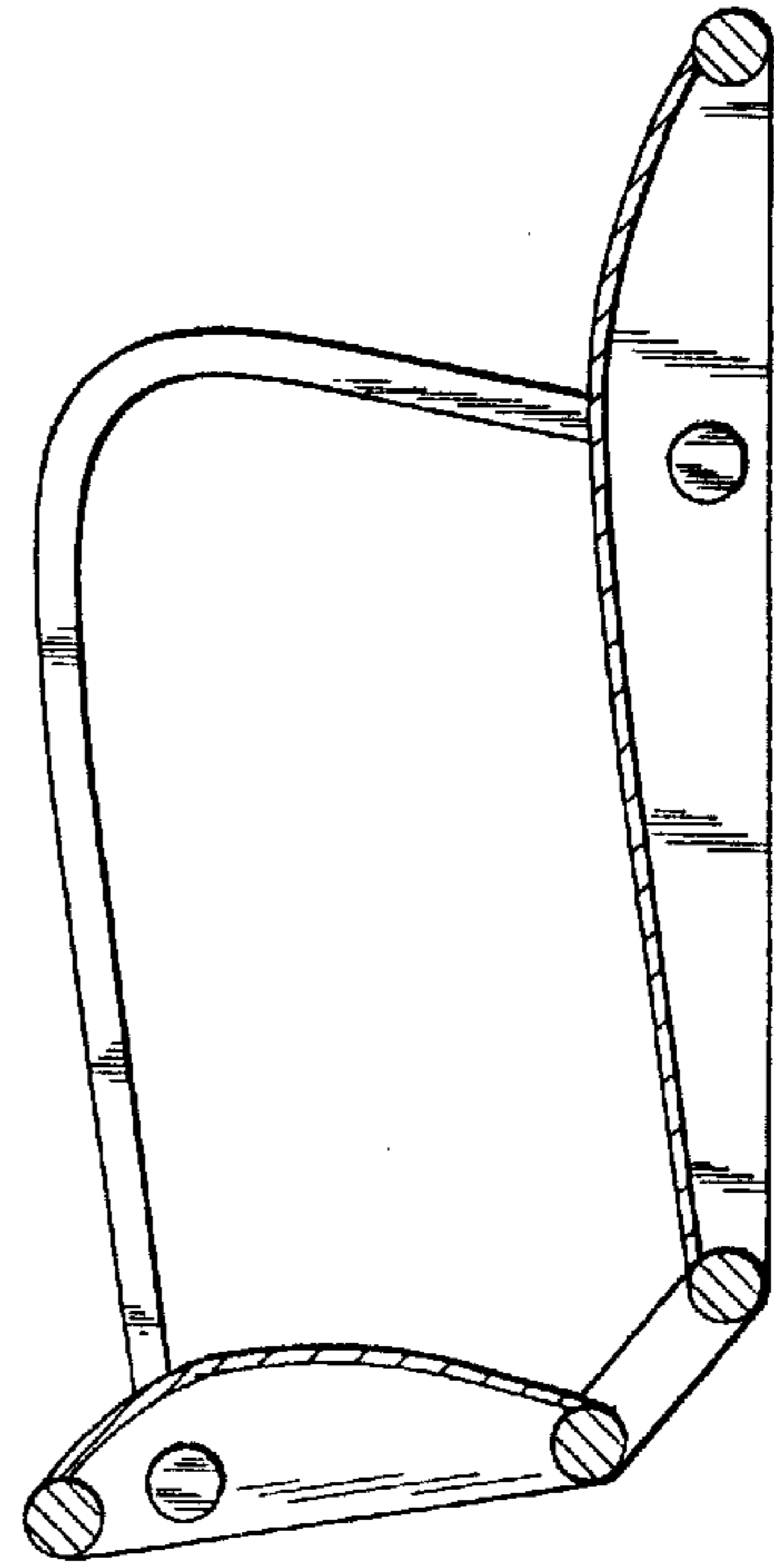


FIG. 2