



US00D446058S

(12) **United States Design Patent**
Skalka

(10) **Patent No.:** **US D446,058 S**

(45) **Date of Patent:** **** Aug. 7, 2001**

(54) **MODULAR CHAIR COMPONENT**

(75) **Inventor:** **Gerald P. Skalka, Potomac, MD (US)**

(73) **Assignee:** **Victor Stanley, Inc., Dunkirk, MD (US)**

(**) **Term:** **14 Years**

(21) **Appl. No.:** **29/133,002**

(22) **Filed:** **Nov. 21, 2000**

Related U.S. Application Data

(62) Division of application No. 29/099,046, filed on Jan. 12, 1999, now Pat. No. Des. 438,035.

(51) **LOC (7) Cl.** **06-06**

(52) **U.S. Cl.** **D6/500**

(58) **Field of Search** D6/334, 366, 368, D6/369, 370, 374, 376, 379, 380, 381, 500-502; 297/232, 452.1, 452.46, 452.63

(56) **References Cited**

U.S. PATENT DOCUMENTS

- D. 381,536 * 7/1997 Kane D6/500
- D. 383,627 * 9/1997 Kane D6/500

- D. 385,442 * 10/1997 Kane D6/500
- D. 386,333 * 11/1997 Kane D6/500
- D. 407,570 * 4/1999 Frauenberger D6/368
- 5,083,838 * 1/1992 Maxwell, Jr. 297/323

* cited by examiner

Primary Examiner—Doris V. Coles

Assistant Examiner—Mimosa De

(74) *Attorney, Agent, or Firm*—Jacobson Holman PLLC

(57) **CLAIM**

The ornamental design for a modular chair component, as shown.

DESCRIPTION

FIG. 1 is a perspective view of a modular chair component showing a first embodiment of my new design.

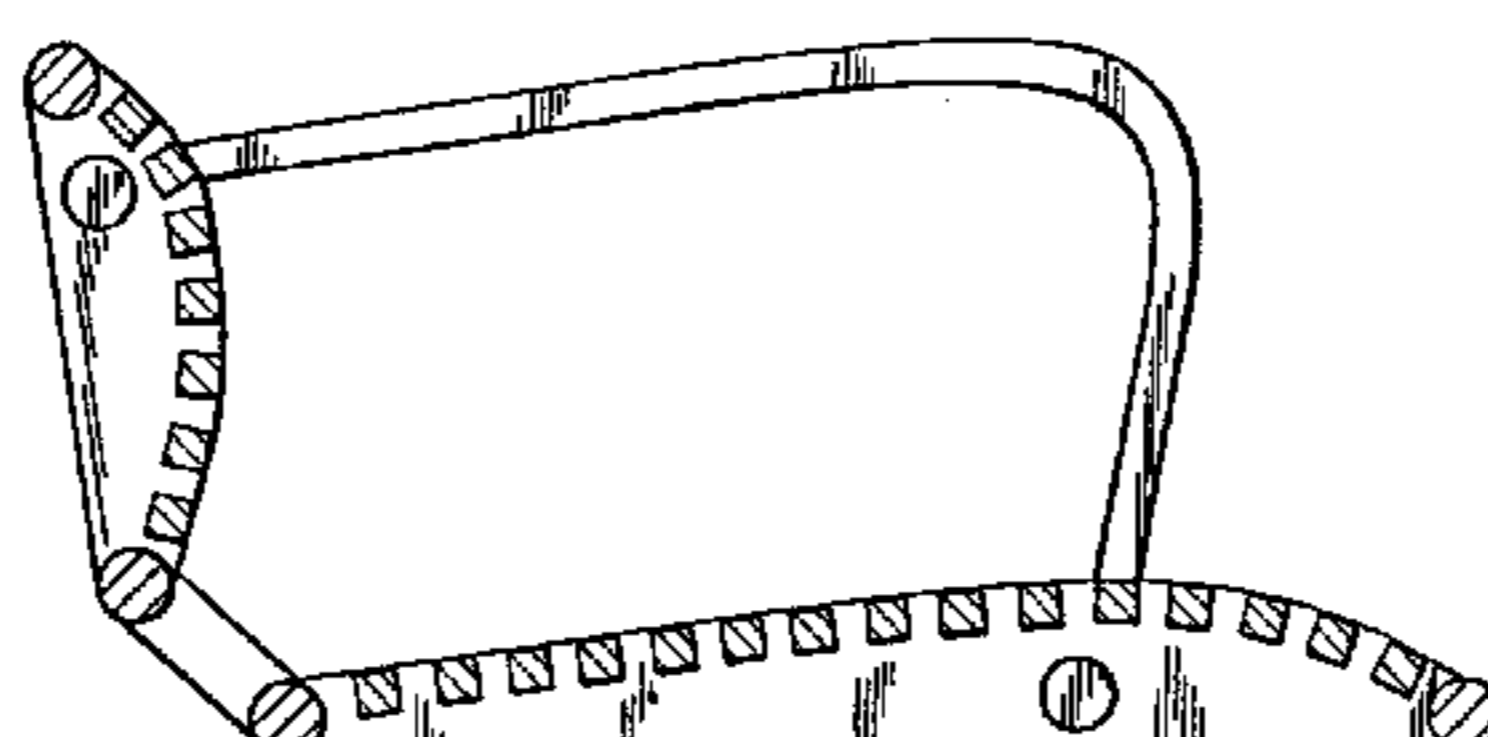
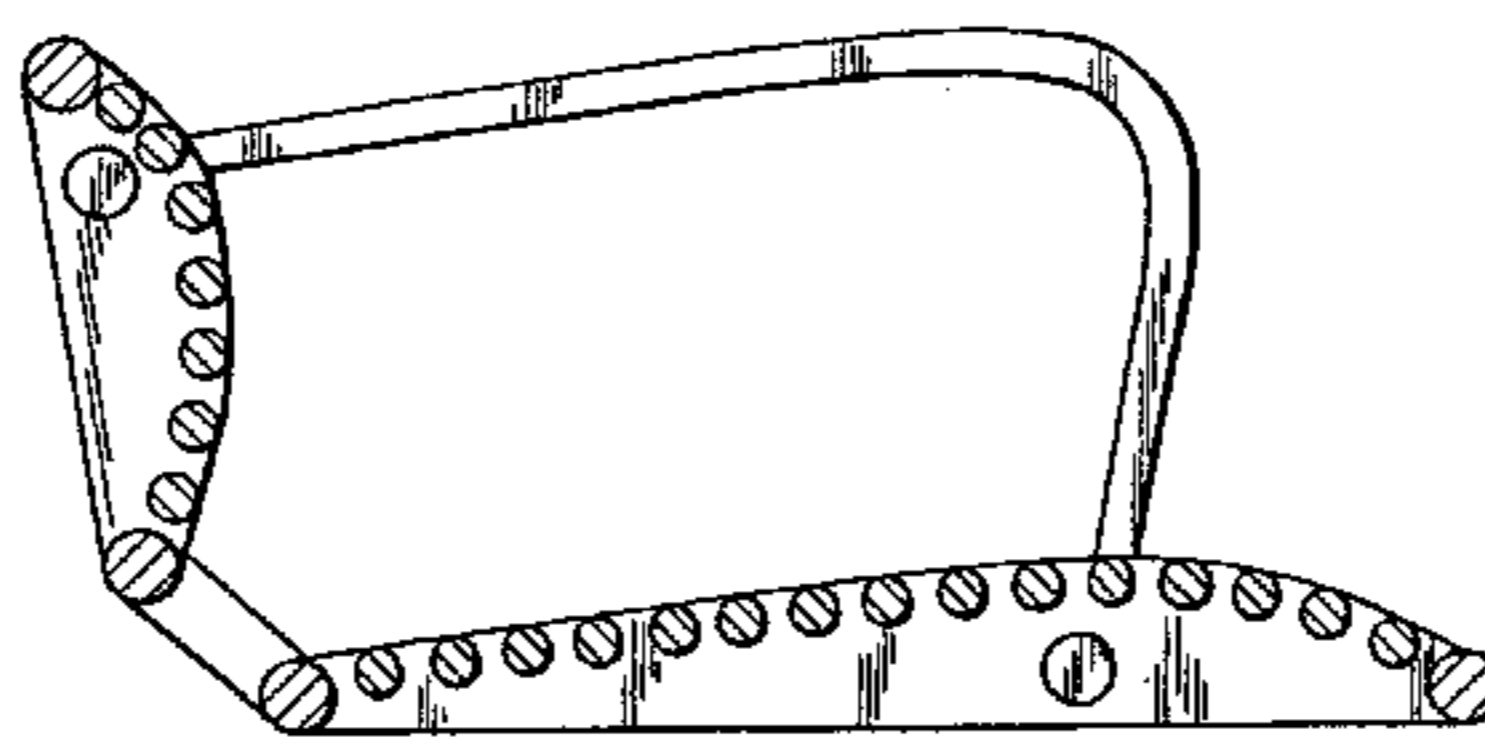
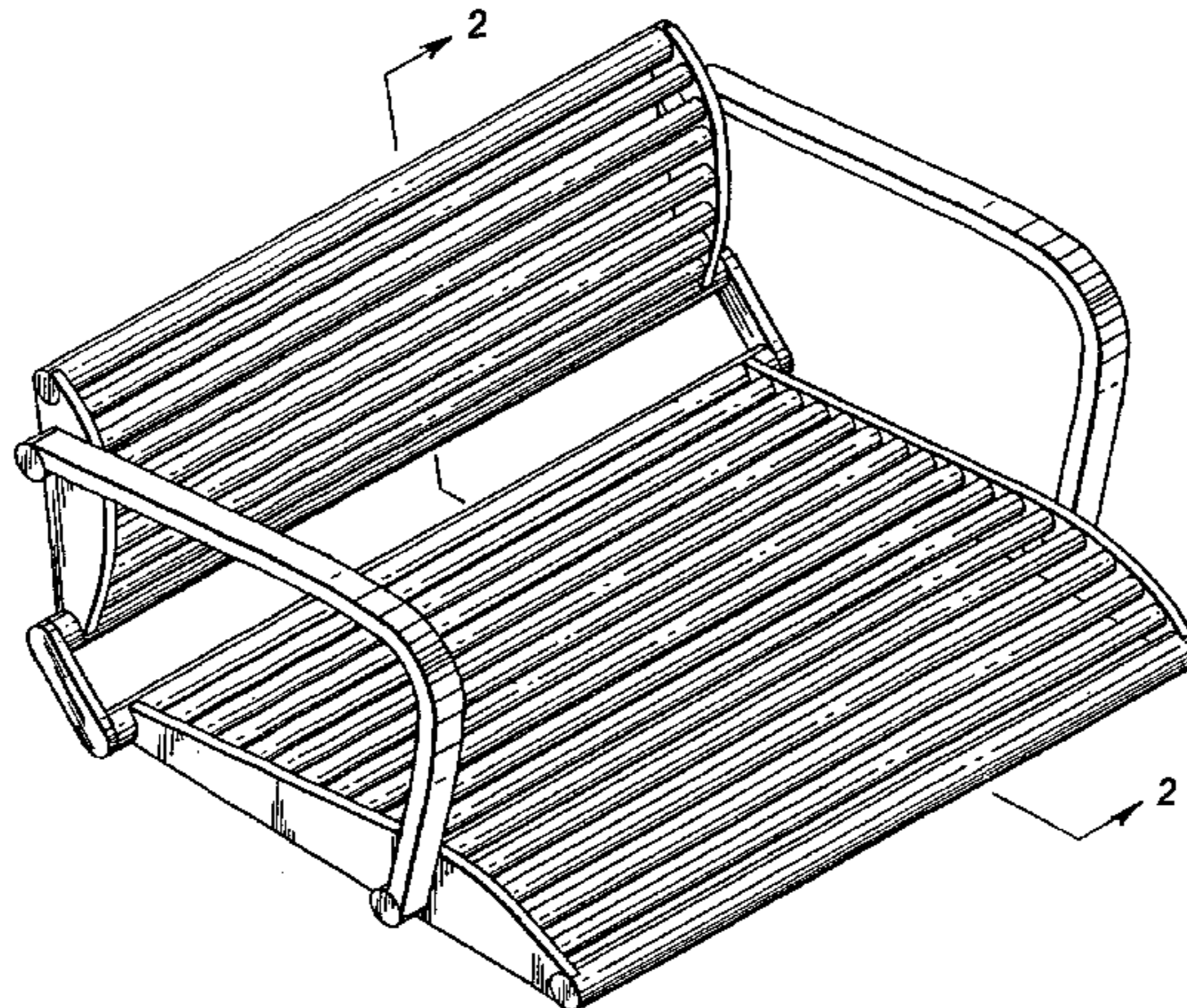
FIG. 2 is a cross-sectional view of the modular chair component of FIG. 1, taken along line 2—2 of FIG. 1.

FIG. 3 is a side elevational view of the modular chair component of FIG. 1.

FIG. 4 is a perspective view of a modular chair component showing a second embodiment of my new design; and,

FIG. 5 is a cross-sectional view of the modular chair component of FIG. 4, taken along line 5—5 of FIG. 4.

1 Claim, 2 Drawing Sheets



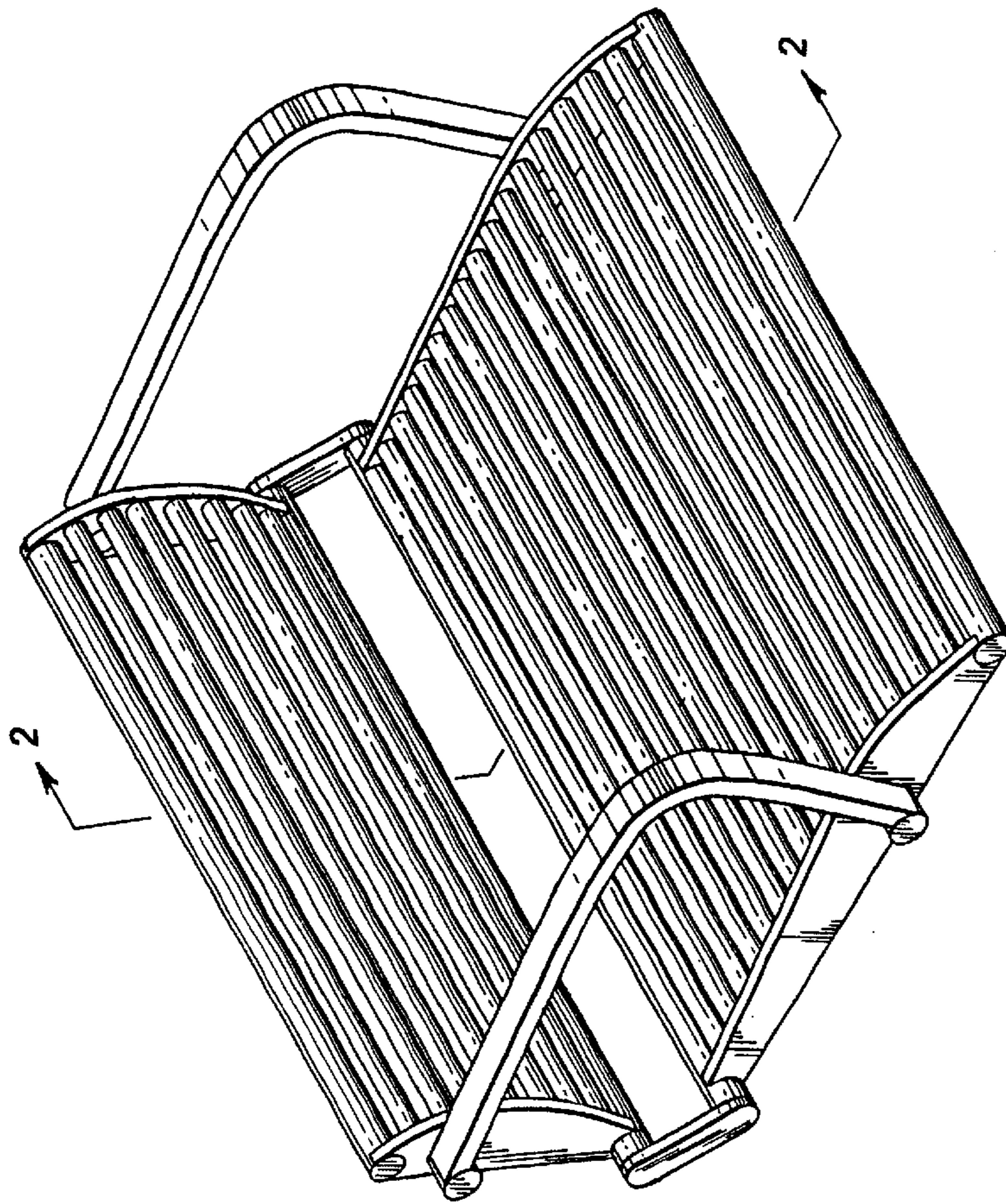


FIG. 2

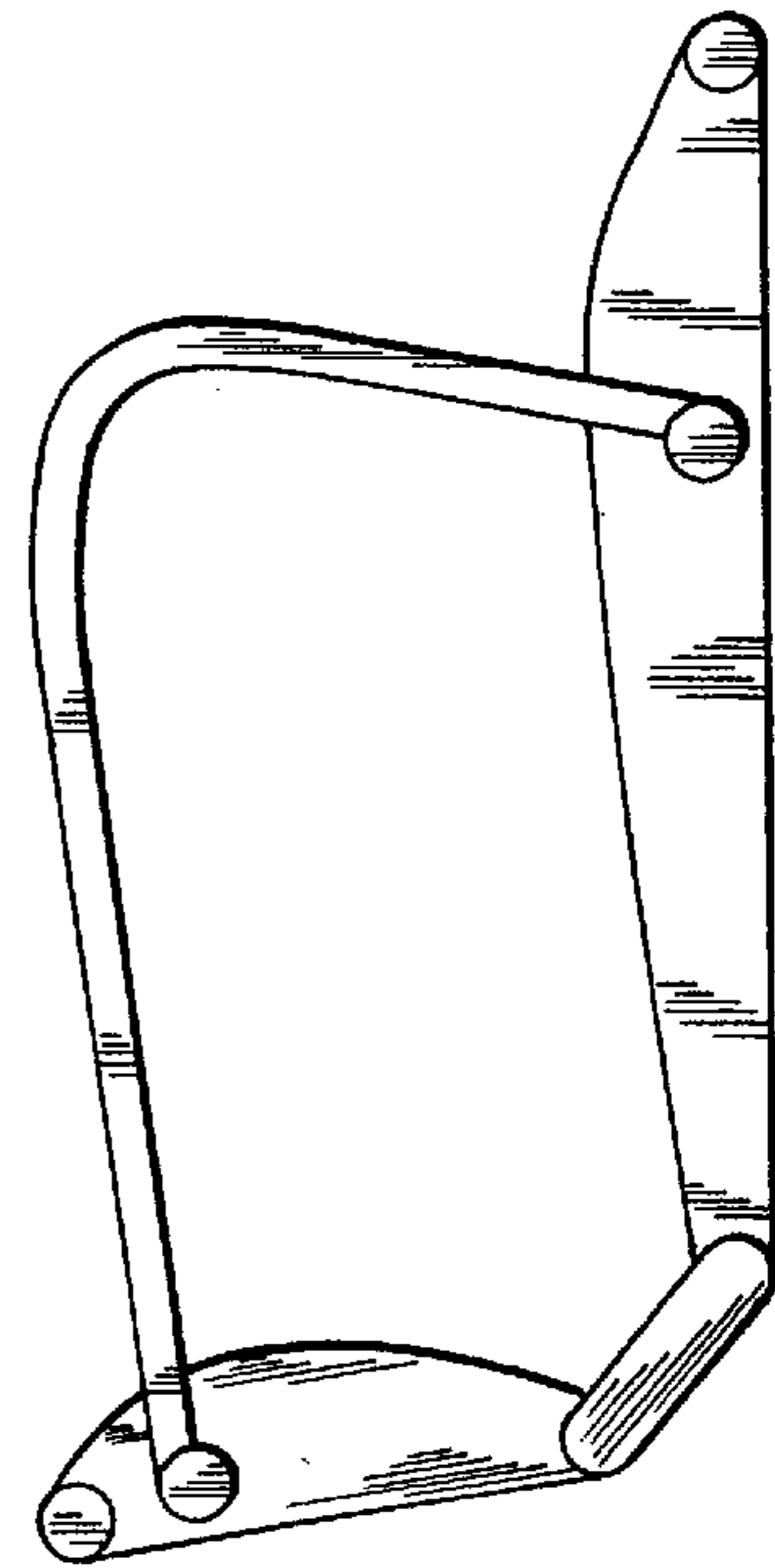
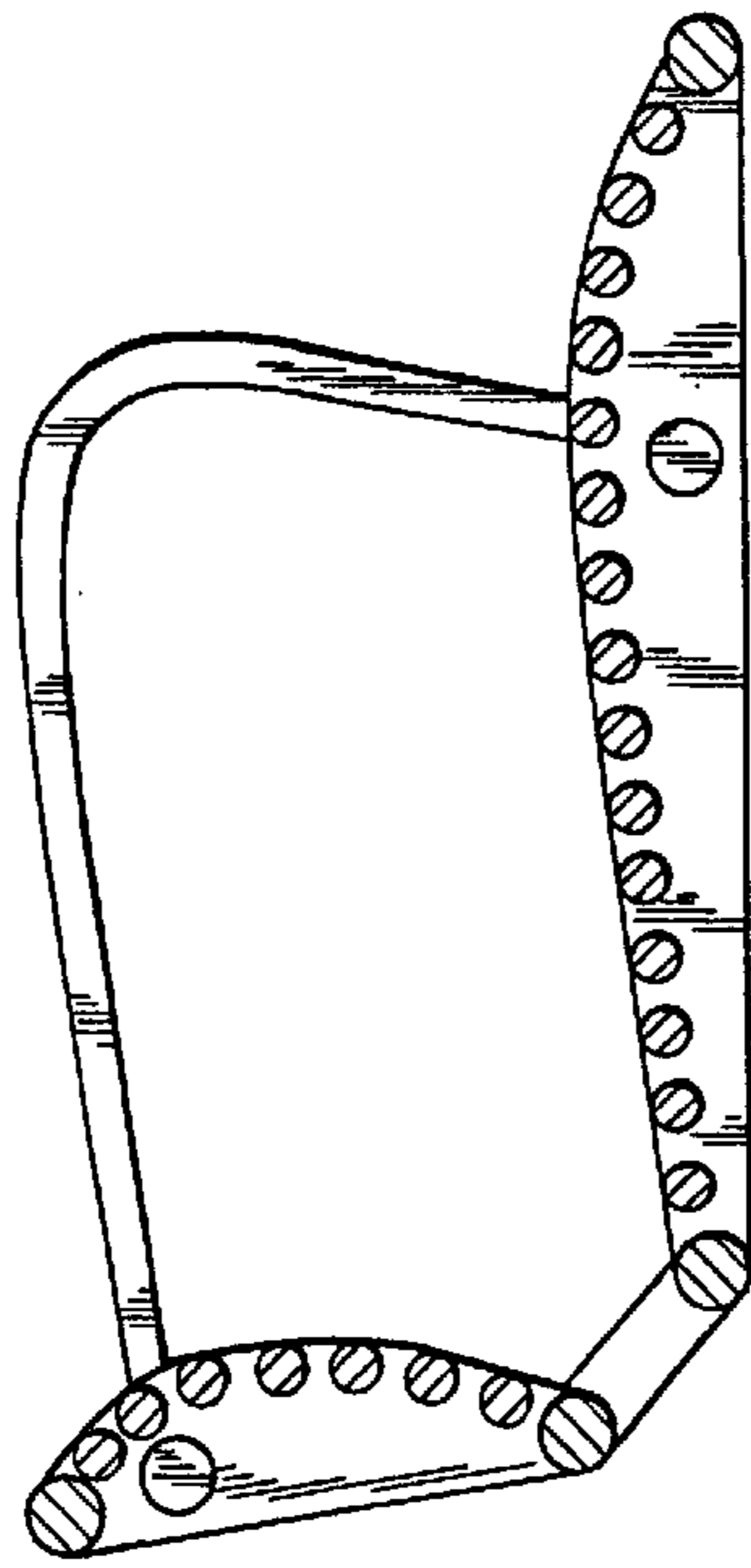


FIG. 1

FIG. 3

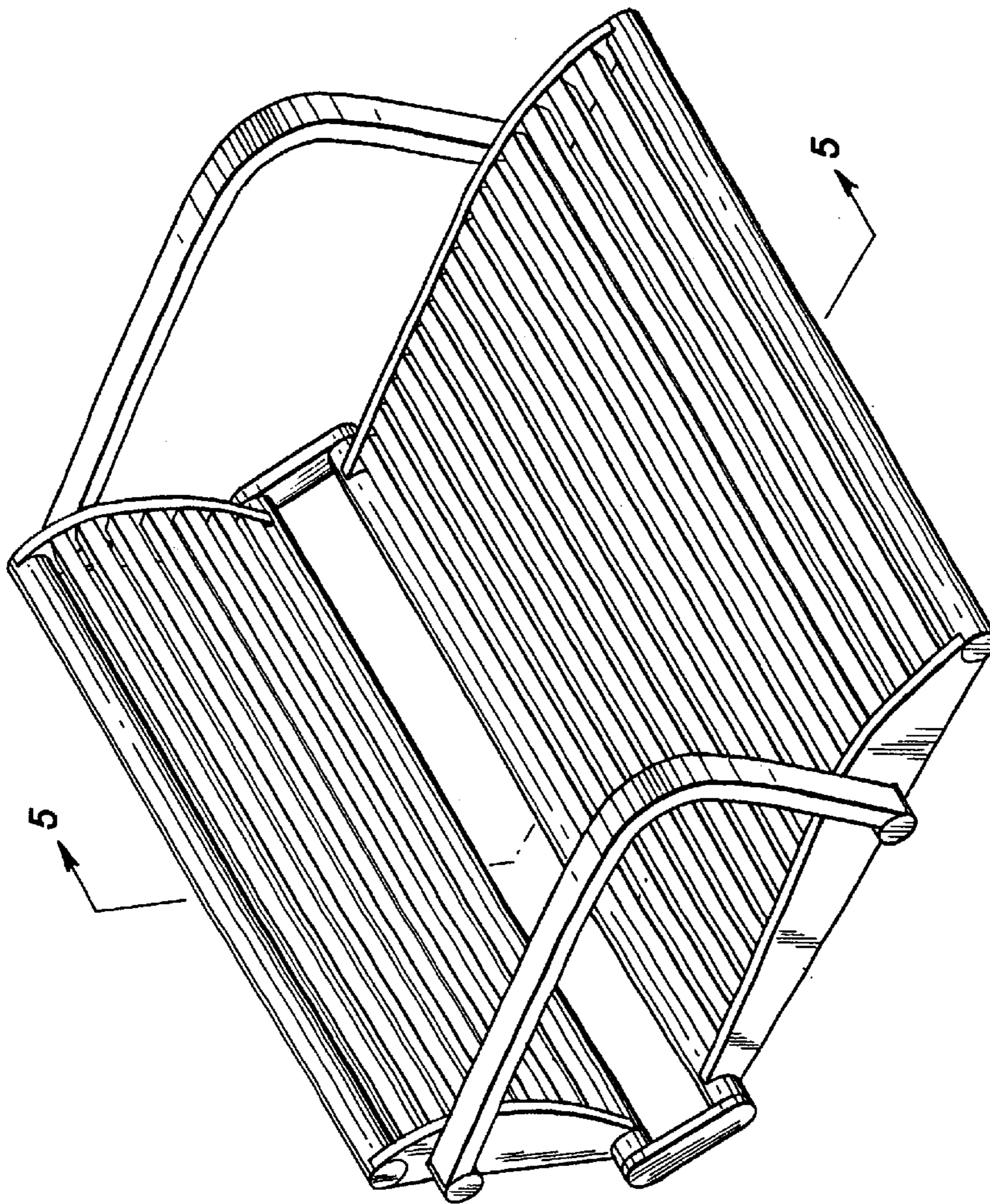


FIG. 4

FIG. 5

