



US00D446056S

(12) **United States Design Patent**
Dowding et al.

(10) **Patent No.:** **US D446,056 S**

(45) **Date of Patent:** **** Aug. 7, 2001**

(54) **TRAY TABLE BASE**

(75) Inventors: **Andrea Walters Dowding**, Dresden;
Lynn Lippert, Newark, both of OH
(US); **Russell Gilbert; Durward**
Staten, both of Mountain View, AR
(US)

(73) Assignee: **The Longaberger Company**, Newark,
OH (US)

(**) Term: **14 Years**

(21) Appl. No.: **29/127,072**

(22) Filed: **Jul. 28, 2000**

(51) **LOC (7) Cl.** **06-06**

(52) **U.S. Cl.** **D6/499; D6/487; D6/465**

(58) **Field of Search** D6/480-489, 495-499,
D6/451, 462, 464, 465; 248/188.1, 175;
108/153, 156, 158; 211/106

(56) **References Cited**

U.S. PATENT DOCUMENTS

D. 379,725 * 6/1997 Nourse D6/487

D. 387,228 * 12/1997 Nourse D6/487

D. 397,563 * 9/1998 Walters-Dowding et al. D6/499

D. 409,420 * 5/1999 Walters-Dowding et al. D6/499

* cited by examiner

Primary Examiner—Janice E. Seeger

(74) *Attorney, Agent, or Firm*—Porter, Wright, Morris &
Arthur LLP

(57) **CLAIM**

The ornamental design for tray table base, as shown and
described.

DESCRIPTION

FIG. 1 is a perspective view of the tray table base showing
our new design;

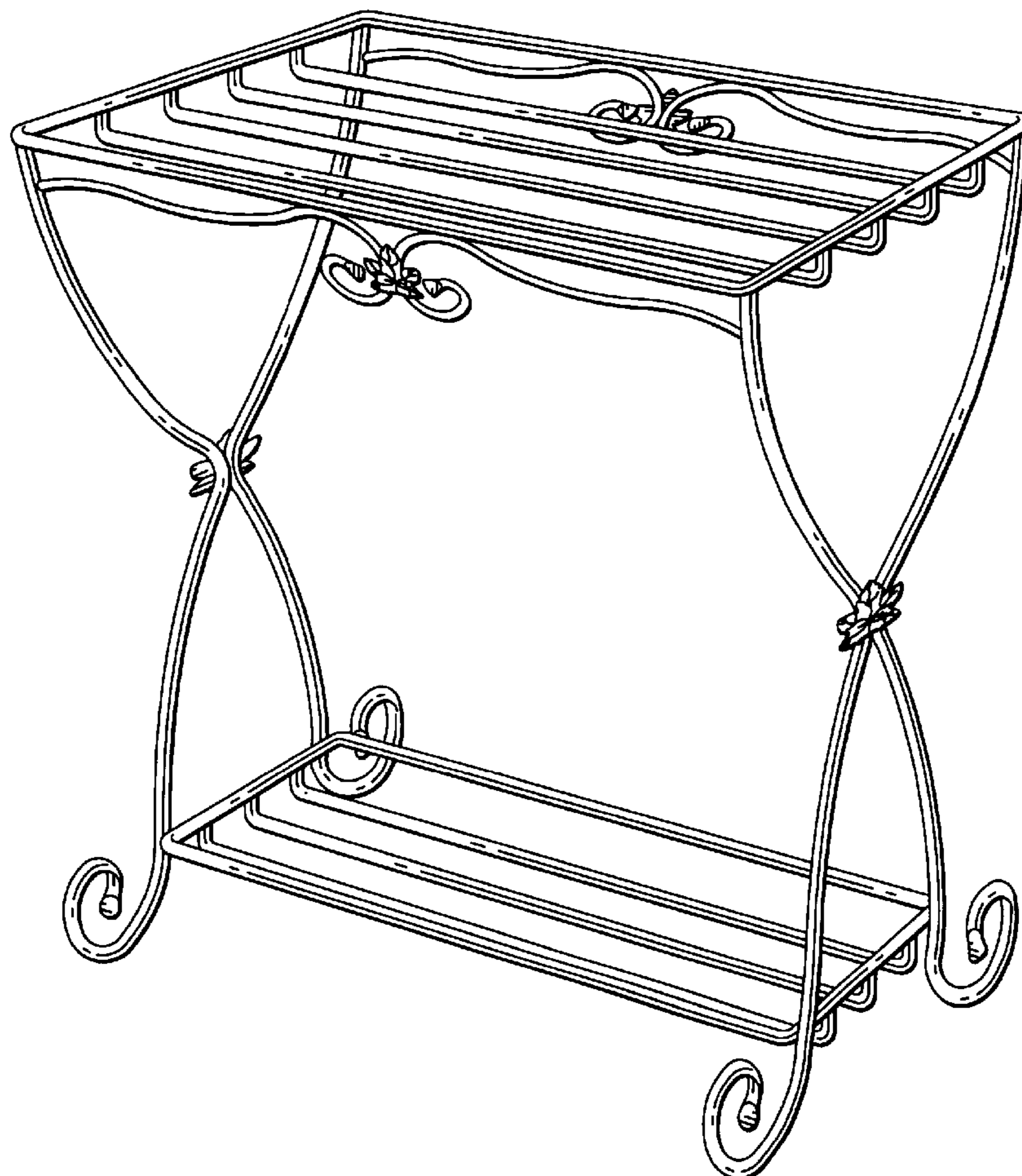
FIG. 2 is a front view thereof, the rear having an appearance
identical to the front;

FIG. 3 is a right side view thereof, the left side having an
appearance identical to the right side;

FIG. 4 is a top view thereof; and,

FIG. 5 is a bottom view thereof.

1 Claim, 5 Drawing Sheets



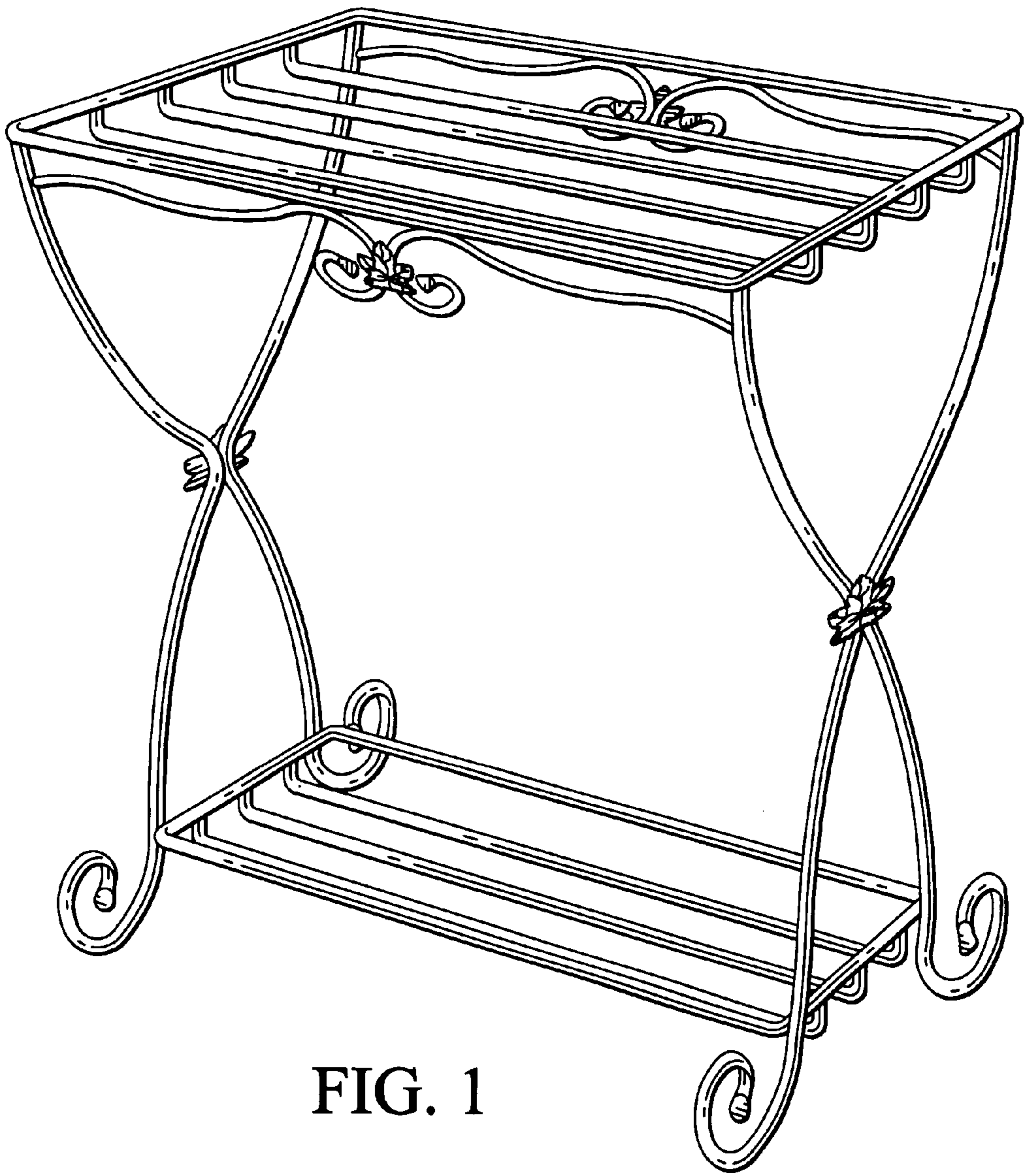


FIG. 1

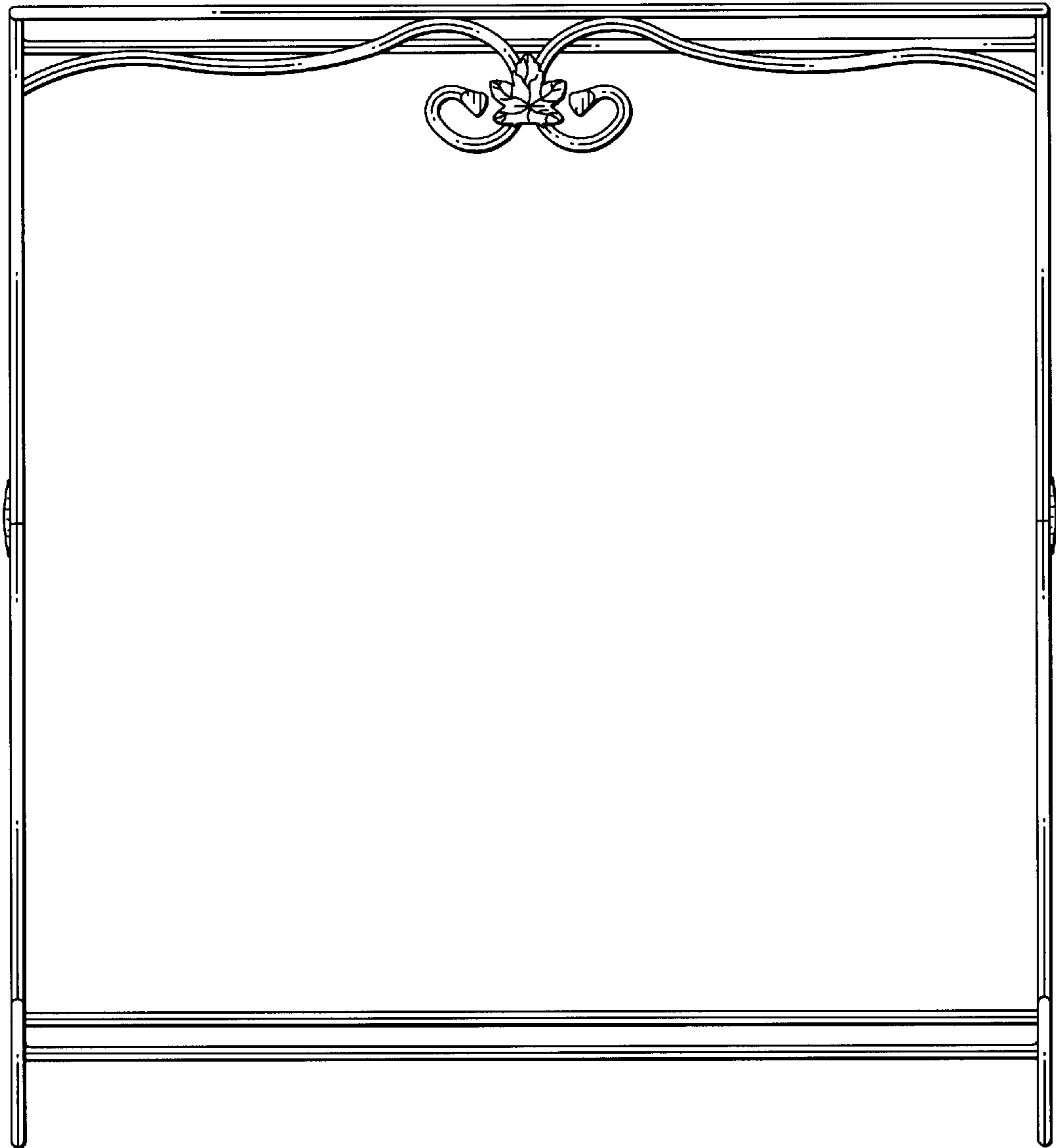


FIG. 2



FIG. 3

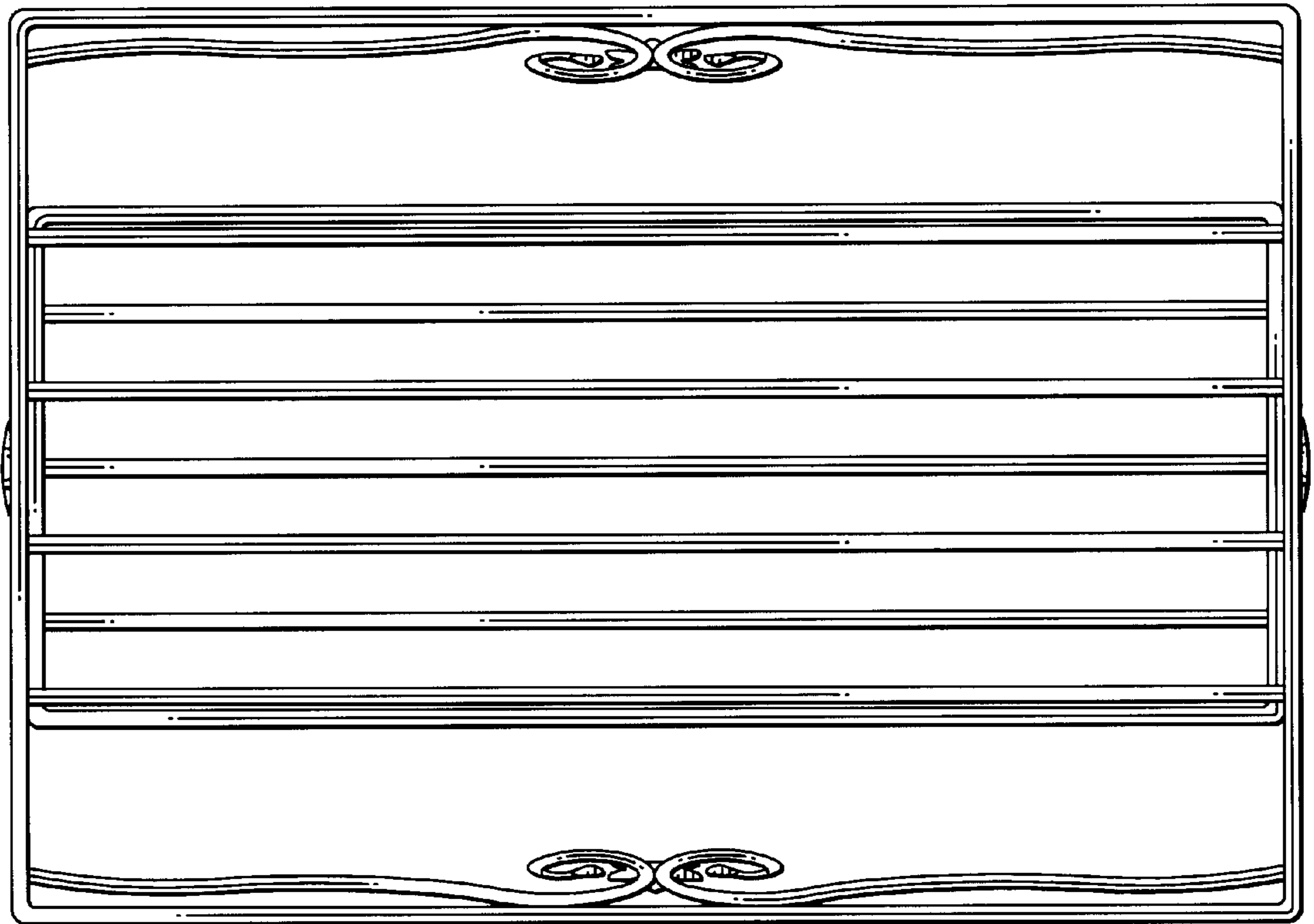


FIG. 4

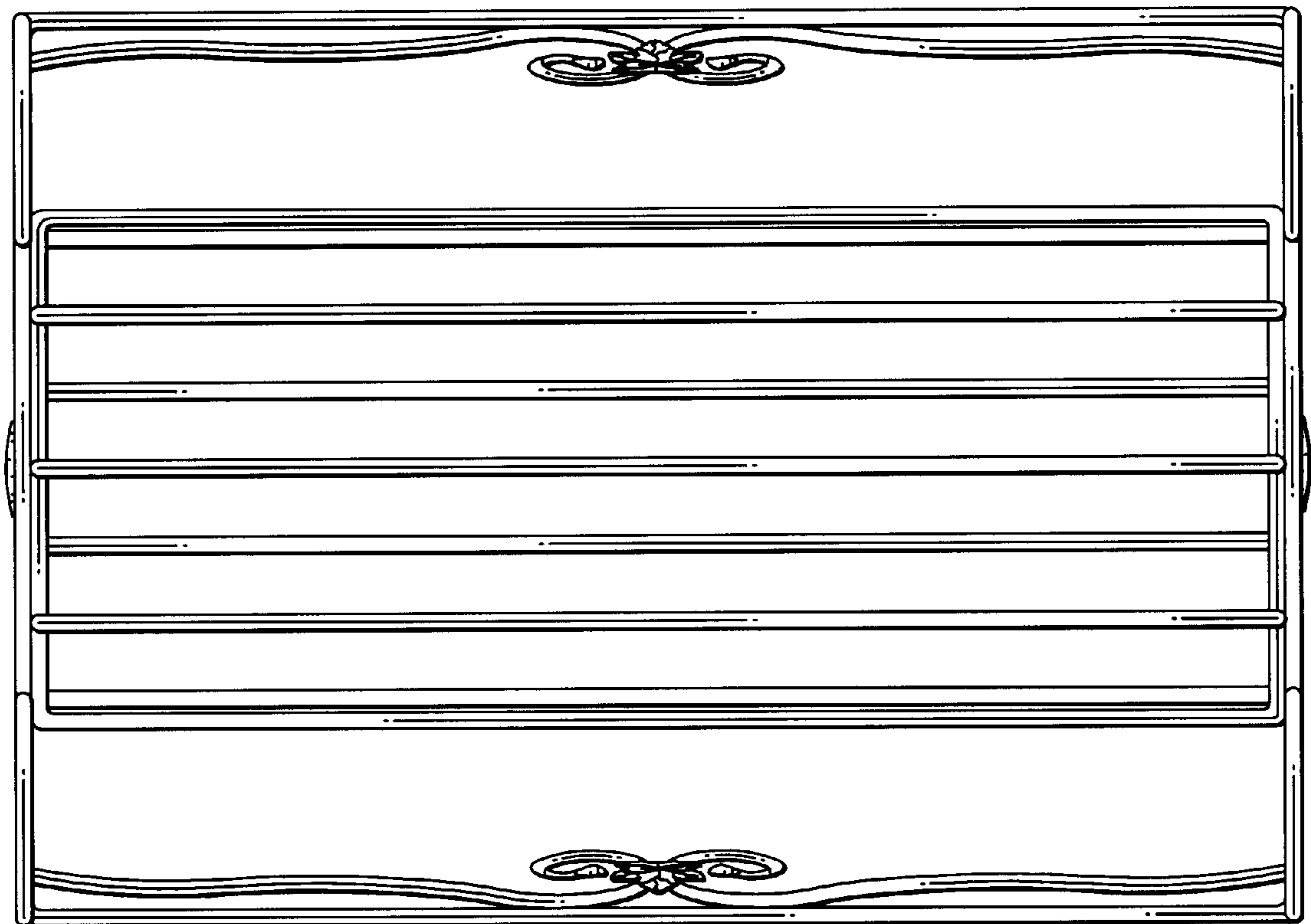


FIG. 5