



US00D446055S

(12) **United States Design Patent**
Lucht

(10) **Patent No.:** **US D446,055 S**

(45) **Date of Patent:** **** Aug. 7, 2001**

(54) **DOOR FOR A MERCHANDISE DISPLAY**

D. 296,634 * 7/1988 Suttles D6/492

(75) Inventor: **Wayne Lucht**, Bedford Park, IL (US)

* cited by examiner

(73) Assignees: **Midwest Quality Gloves, Inc.**,
Chillicothe, MO (US); **Midway**
Displays, Inc., Bedford Park, IL (US)

Primary Examiner—Dominic Simone

(74) *Attorney, Agent, or Firm*—Leydig, Voit & Mayer, Ltd.

(**) Term: **14 Years**

(57) **CLAIM**

The ornamental design for a door for a merchandise display,
as shown and described.

(21) Appl. No.: **29/130,478**

DESCRIPTION

(22) Filed: **Oct. 2, 2000**

(51) **LOC (7) Cl.** **06-04**

(52) **U.S. Cl.** **D6/492**

(58) **Field of Search** D6/470, 491, 492,
D6/502; 312/102, 107, 114, 117, 138.1,
294, 326, 327, 352

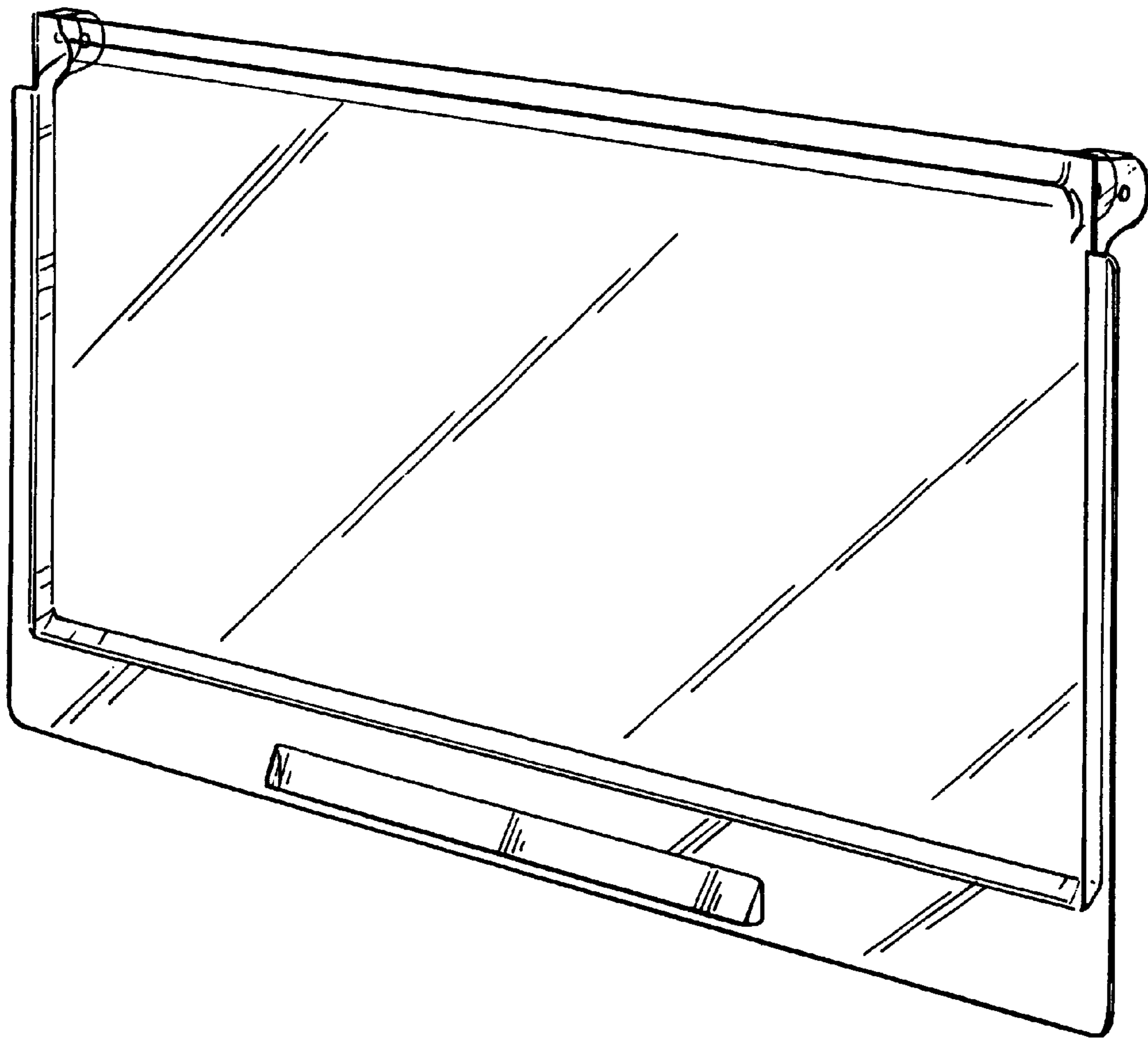
FIG. 1 is a right front perspective view of a door for a merchandise display showing my new design;
FIG. 2 is a left rear perspective view thereof;
FIG. 3 is a front elevational view thereof;
FIG. 4 is a right end view;
FIG. 5 is a left end view;
FIG. 6 is a top end view;
FIG. 7 is a bottom end view; and,
FIG. 8 is a rear elevational view thereof.

(56) **References Cited**

U.S. PATENT DOCUMENTS

D. 126,208 * 4/1941 Johnson et al. D6/470

1 Claim, 3 Drawing Sheets



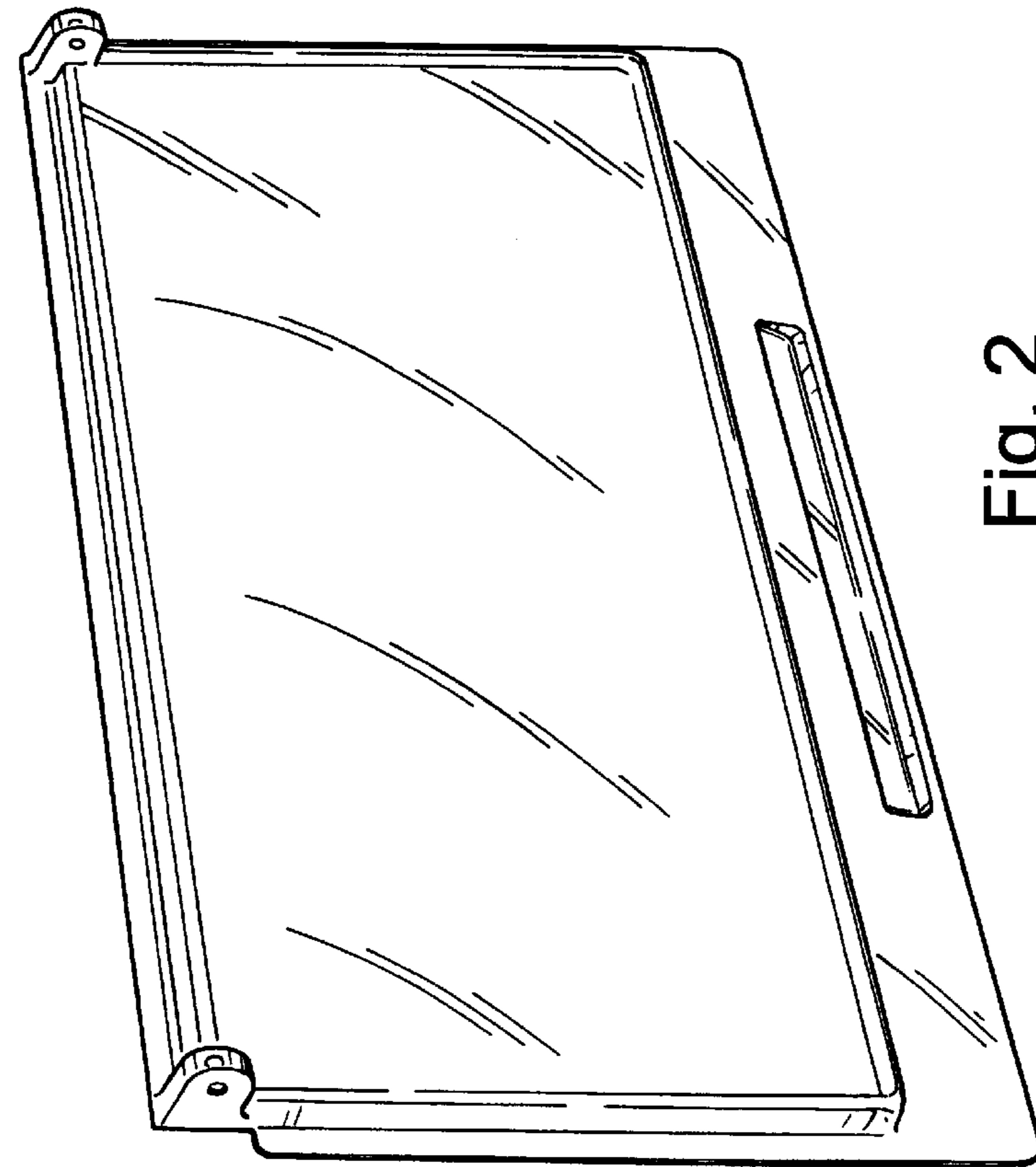


Fig. 2

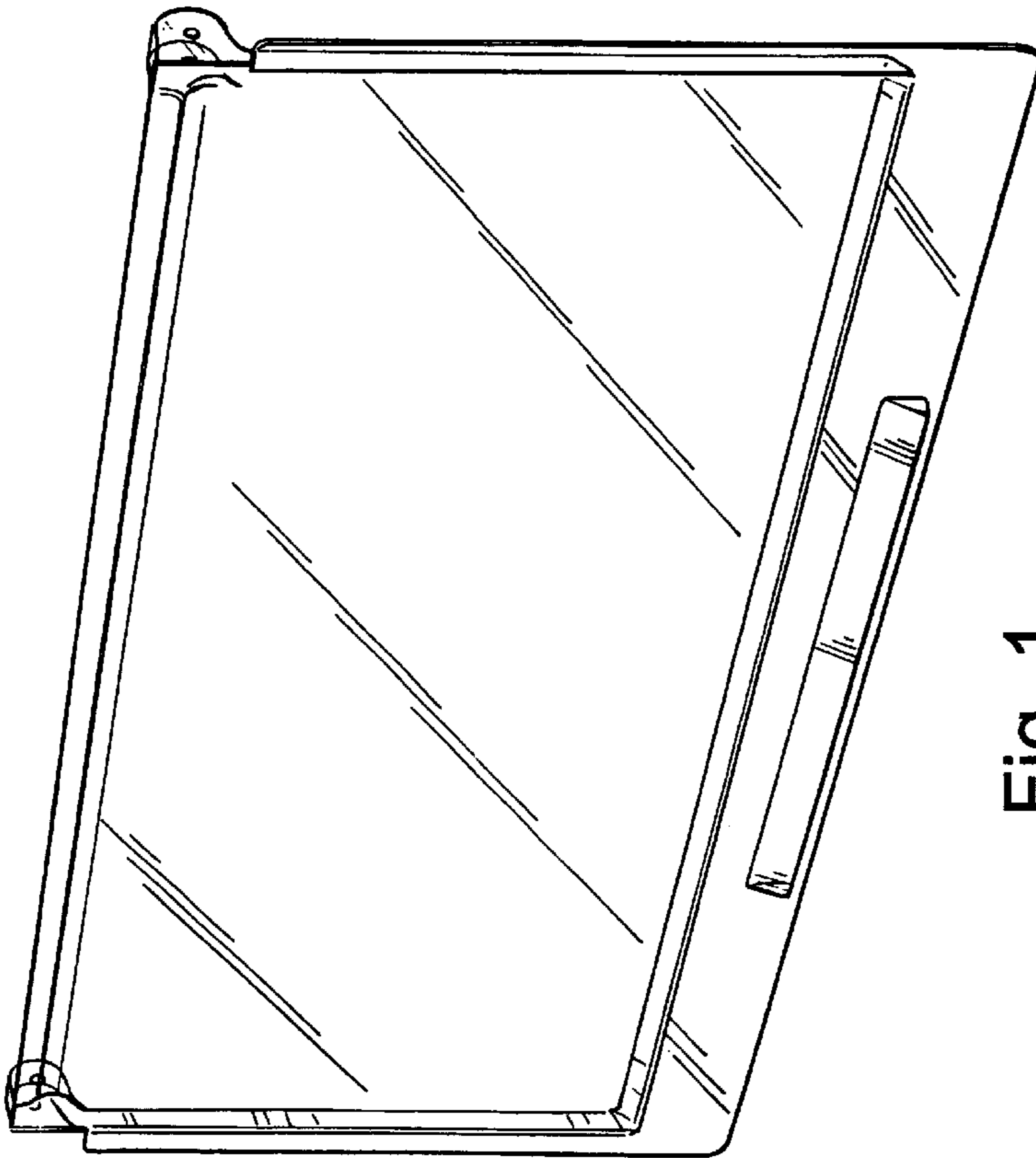


Fig. 1

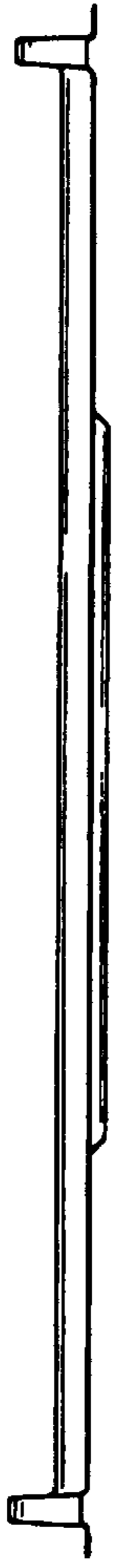


Fig. 6

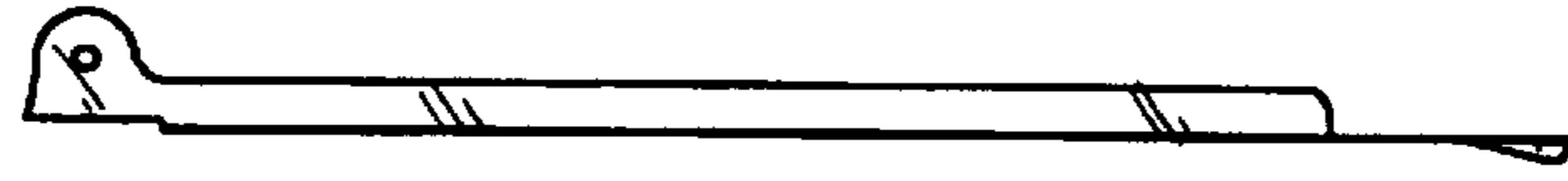


Fig. 4

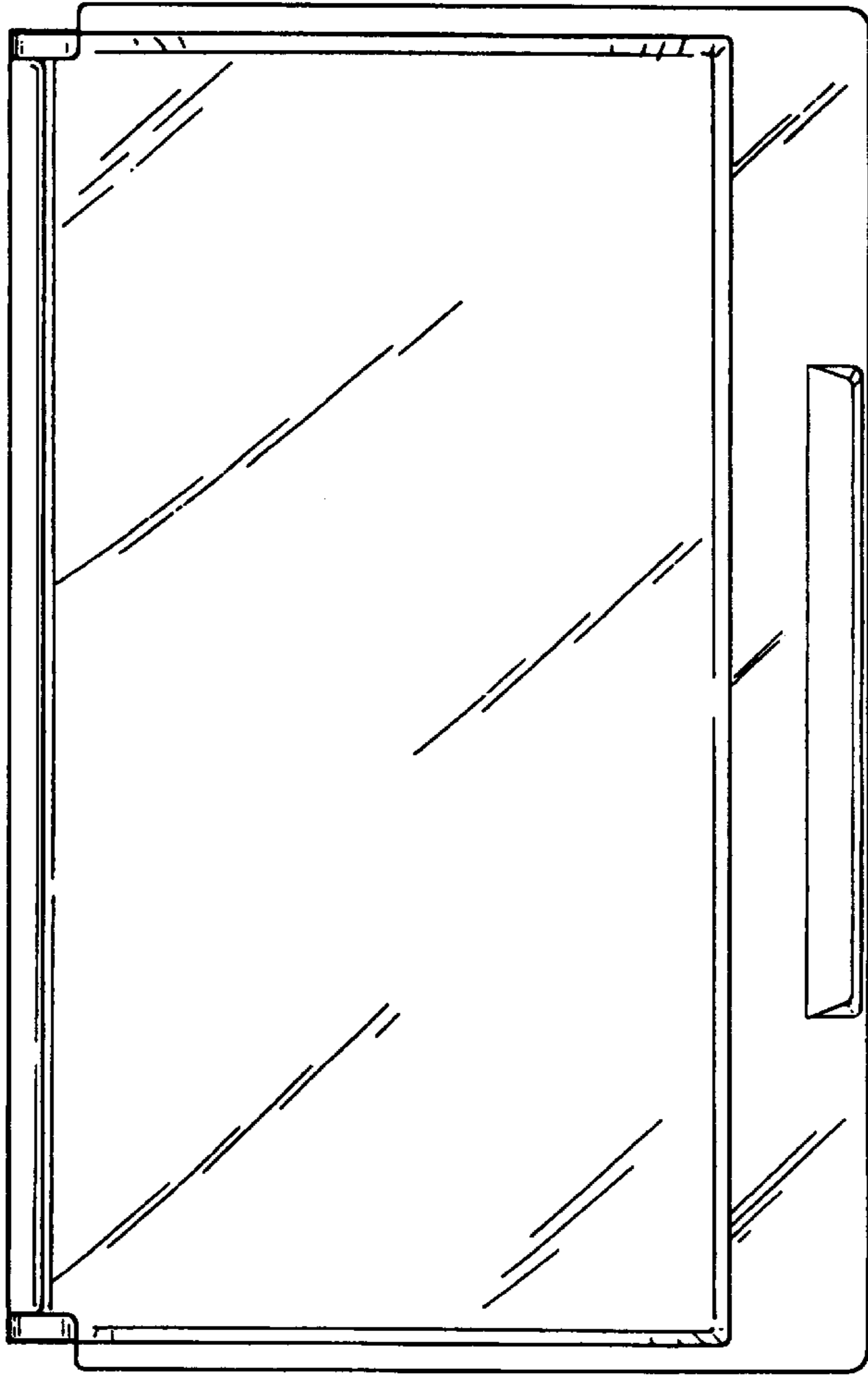


Fig. 3

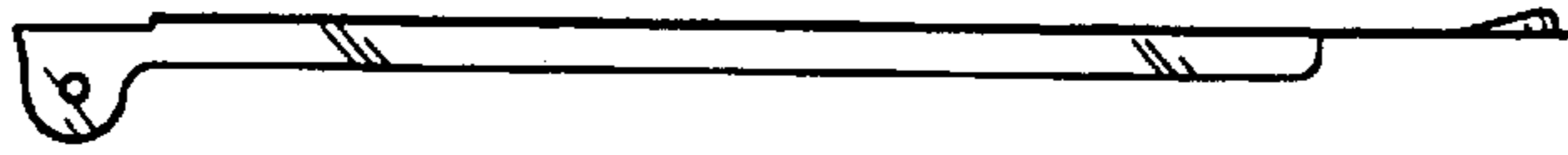


Fig. 5



Fig. 7

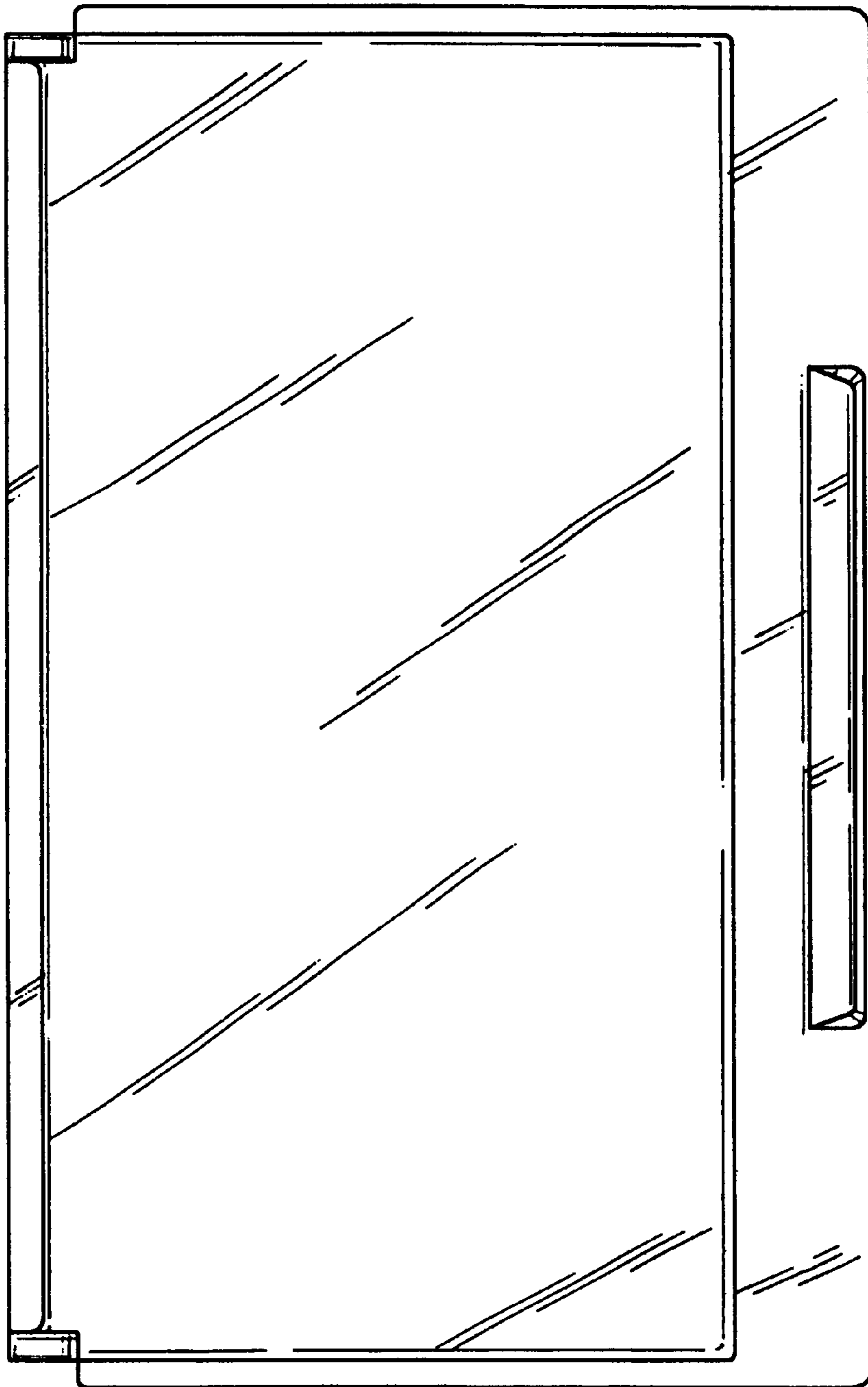


Fig. 8