



US00D446052S

(12) **United States Design Patent**
Bourne

(10) **Patent No.:** **US D446,052 S**

(45) **Date of Patent:** **** Aug. 7, 2001**

(54) **WINE BARREL STORAGE RACK**

(75) **Inventor:** **Ross Gordon Bourne**, Somerton Park (AU)

(73) **Assignee:** **RGB Industries PTY LTD**, Somerton Park (AU)

(**) **Term:** **14 Years**

(21) **Appl. No.:** **29/124,808**

(22) **Filed:** **Jun. 12, 2000**

(30) **Foreign Application Priority Data**

Dec. 15, 1999 (AU) 4206/99

(51) **LOC (7) Cl.** **06-04**

(52) **U.S. Cl.** **D6/462**

(58) **Field of Search** D6/462-468, 449;
D7/708, 601, 603; 211/74, 189, 194, 27,
49.1; 312/257.1, 265.1; 248/150, 127, 105

(56) **References Cited**

U.S. PATENT DOCUMENTS

- D. 278,110 * 3/1985 Boland, III D6/468
- D. 289,587 * 5/1987 Levine D6/462

- D. 292,657 * 11/1987 Wightman D6/462
- D. 335,404 * 5/1993 Fleury D6/466
- D. 336,408 * 6/1993 Tersch et al. D6/466
- D. 363,587 * 10/1995 Glinski D6/462
- 3,606,023 * 9/1971 Edmunds 211/74
- 3,870,155 * 3/1975 Galloway 211/74
- 4,023,681 * 5/1977 Plant 211/74
- 4,093,076 * 6/1978 Newton 211/74
- 4,715,503 * 12/1987 Johnson 211/189

* cited by examiner

Primary Examiner—Prabhakar Deshmukh

(74) *Attorney, Agent, or Firm*—Brown, Martin, Haller & McClain, LLP

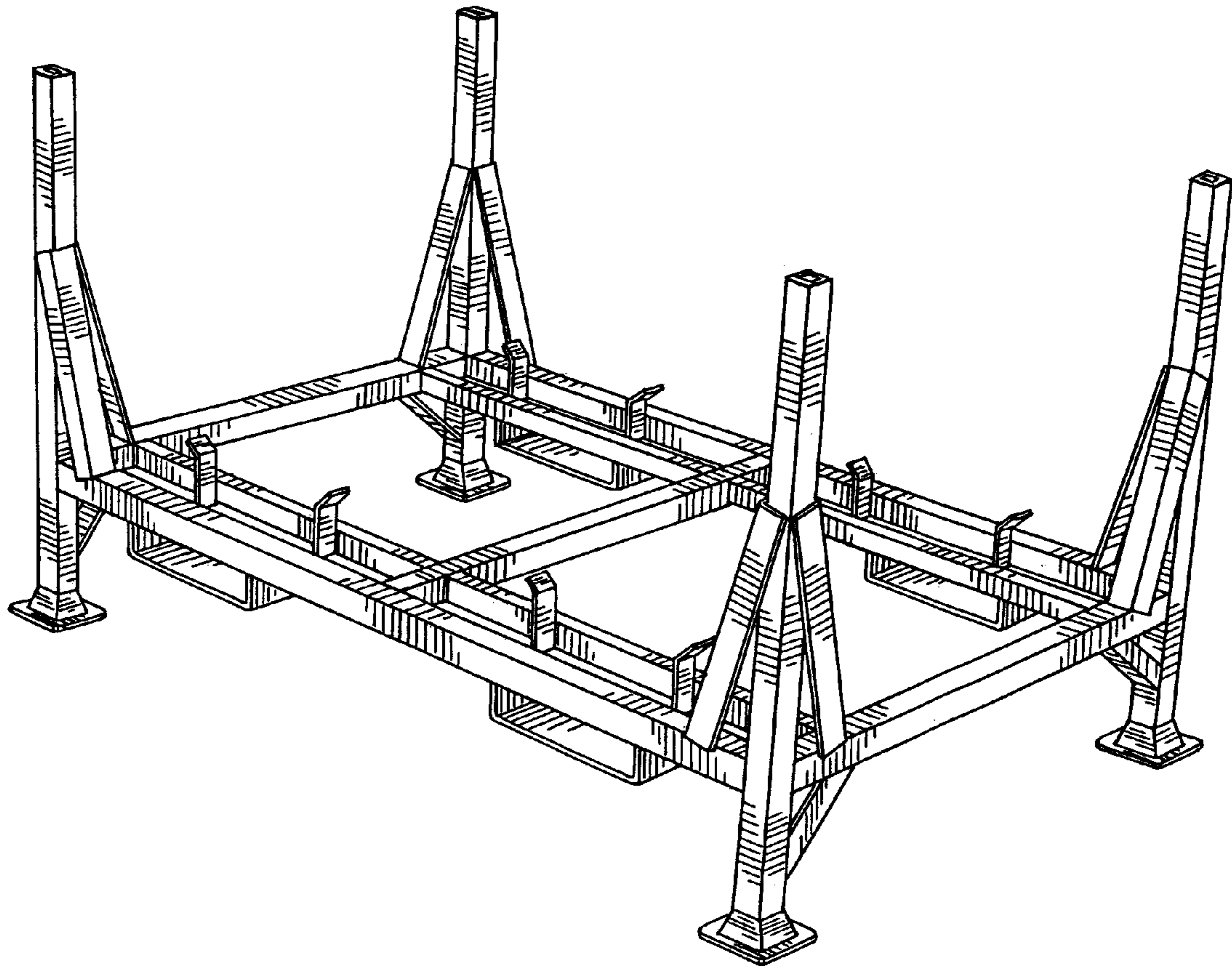
(57) **CLAIM**

The ornamental design for a wine barrel storage rack, as shown and described.

DESCRIPTION

FIG. 1 is a perspective view of a wine barrel storage rack according to this invention;
FIG. 2 is a front view of the rack shown in FIG. 1;
FIG. 3 is a top view of the rack; and,
FIG. 4 is a side view of the rack.

1 Claim, 2 Drawing Sheets



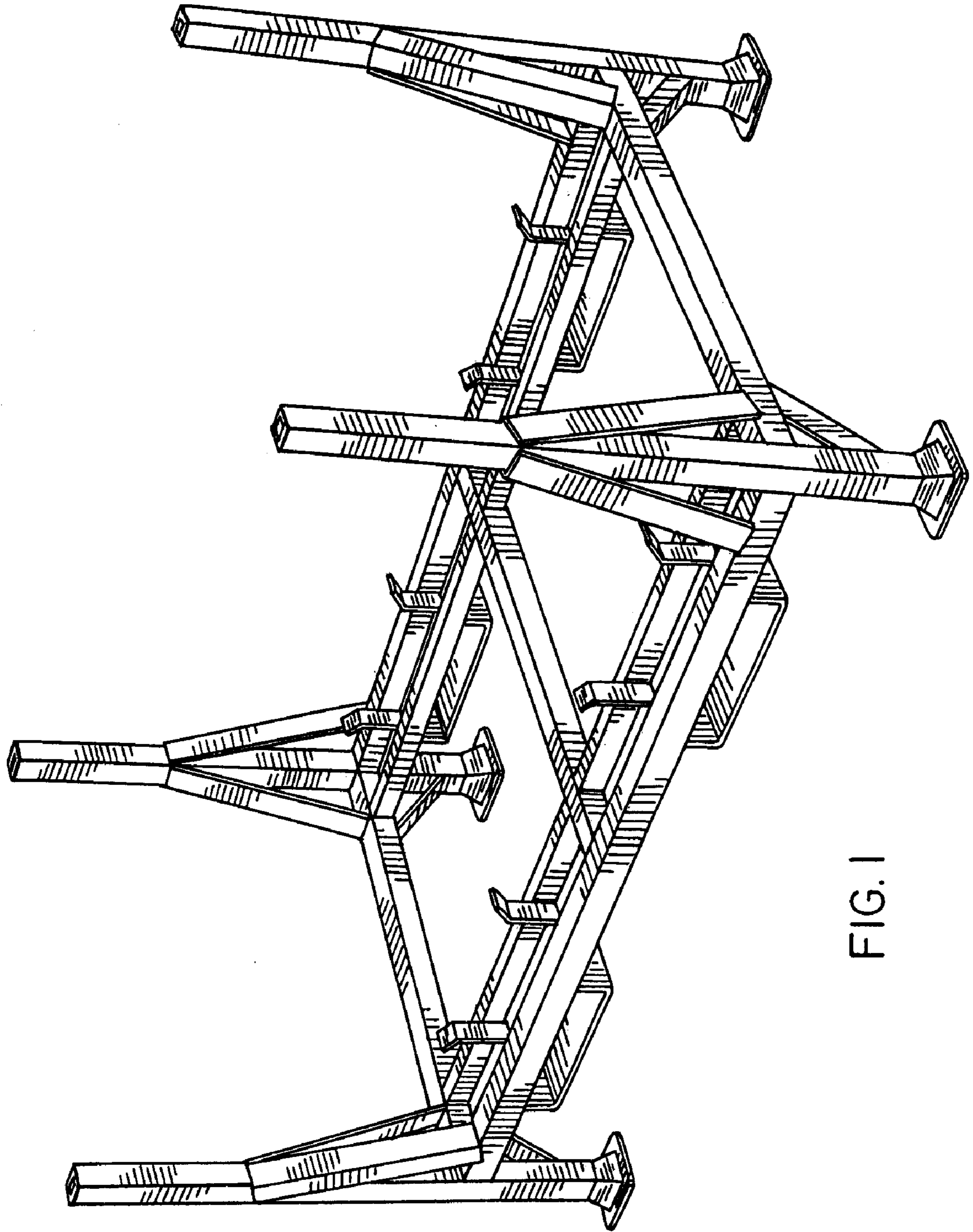


FIG. 1

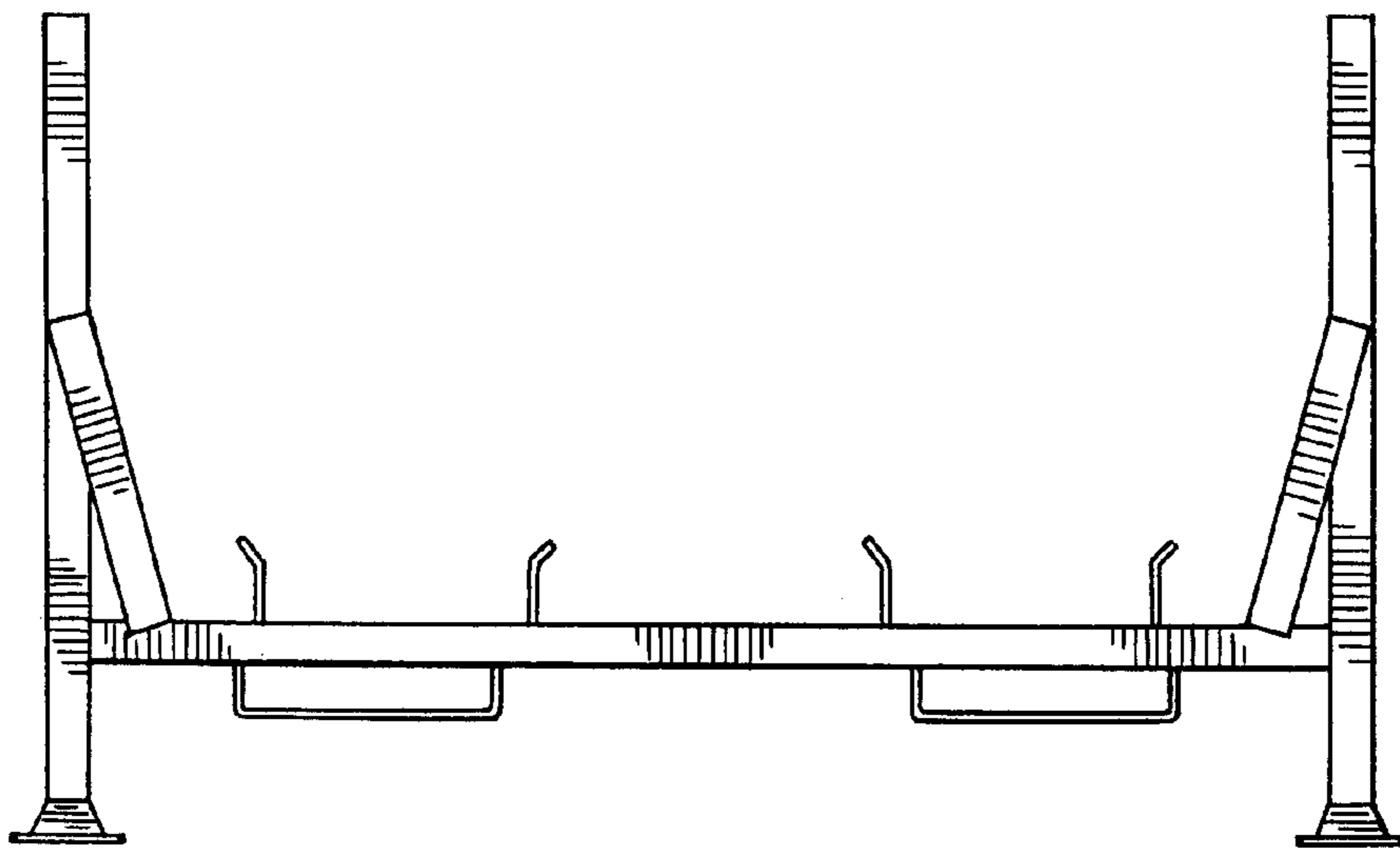


FIG. 2

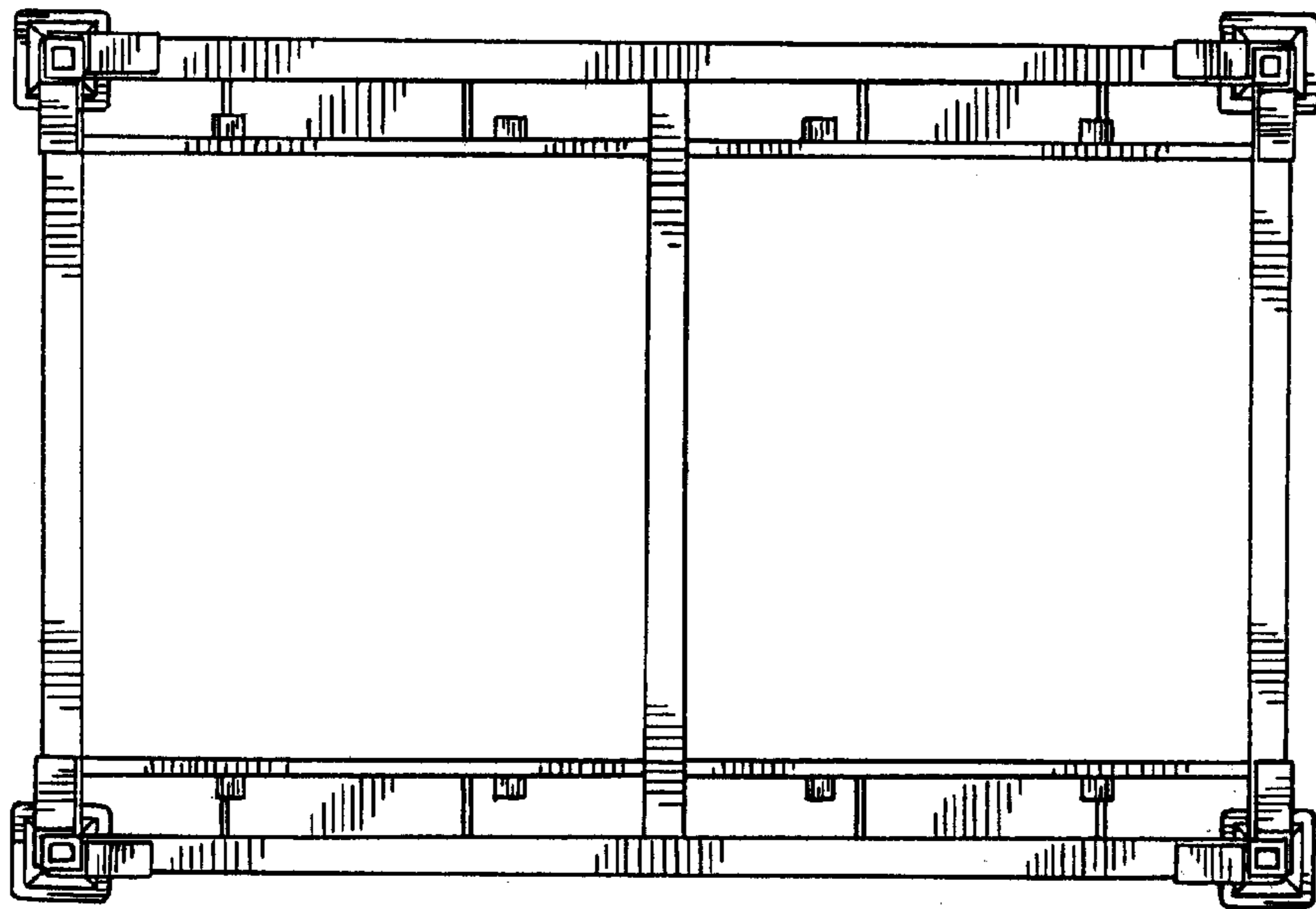


FIG. 3

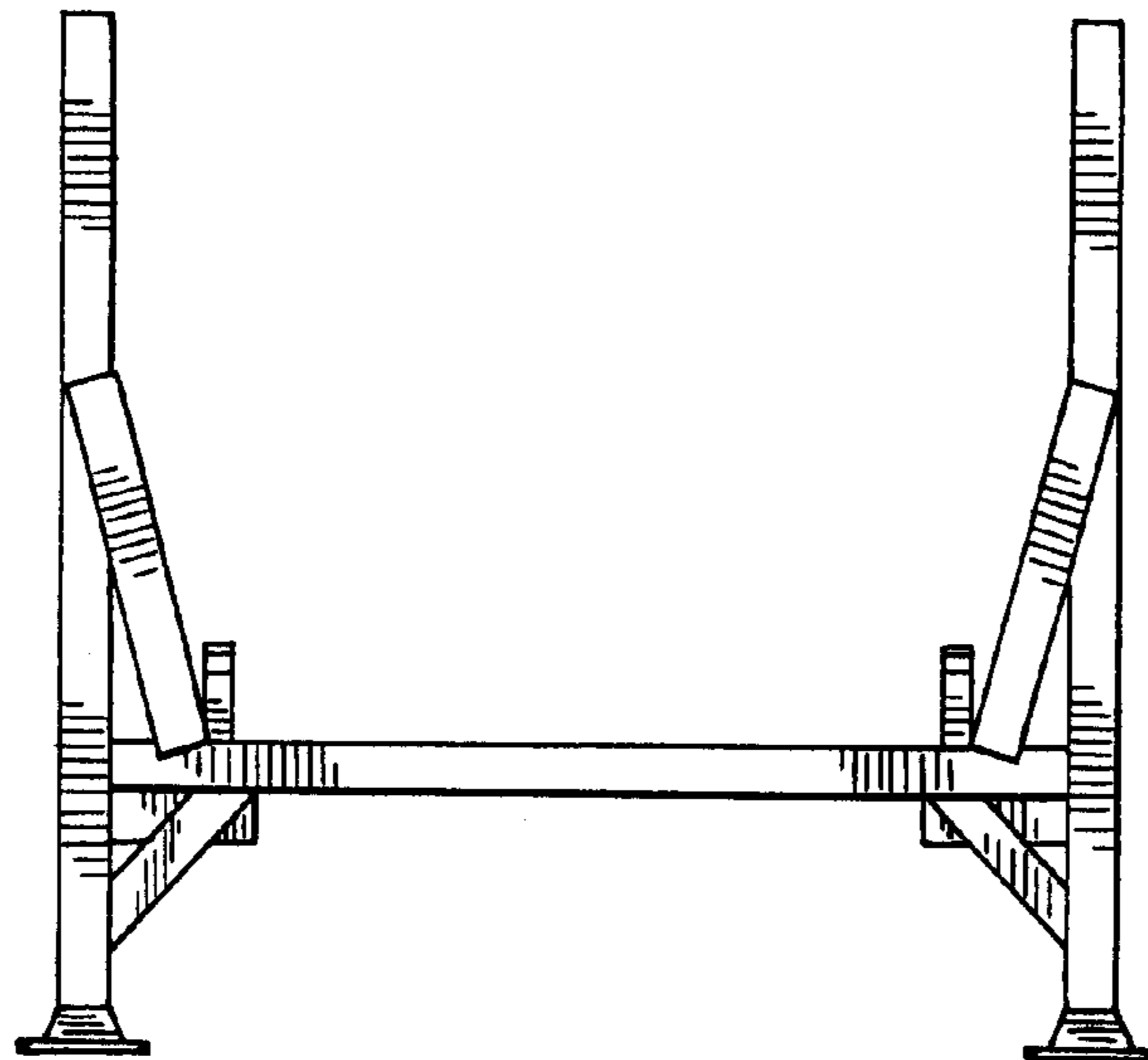


FIG. 4