



US00D446046S

(12) **United States Design Patent**
Aeberhard

(10) **Patent No.:** **US D446,046 S**

(45) **Date of Patent:** **** Aug. 7, 2001**

(54) **KIOSK FOR SALES PURPOSES**

(75) Inventor: **Wolfgang Aeberhard**, Solothurn (CH)

(73) Assignee: **Swatch AG**, Bienne (CH)

(**) Term: **14 Years**

(21) Appl. No.: **29/131,834**

(22) Filed: **Oct. 27, 2000**

(30) **Foreign Application Priority Data**

May 1, 2000 (XH) DM/051783

(51) **LOC (7) Cl.** **06-04**

(52) **U.S. Cl.** **D6/433; D6/441; D6/445**

(58) **Field of Search** D6/432, 436, 440,
D6/441, 442, 445, 470, 472; 312/114, 117,
204, 283, 294, 326

(56) **References Cited**

U.S. PATENT DOCUMENTS

D. 141,016 * 4/1945 Stanitz D6/436

D. 142,049 * 8/1945 Waddell D6/436

D. 303,595 * 9/1989 Thompson et al. D6/436 X

* cited by examiner

Primary Examiner—Cathron C. Brooks

(74) *Attorney, Agent, or Firm*—Collen Law Associates PC;
Robert M. McDermott

(57) **CLAIM**

The ornamental design for a kiosk for sales purposes, as shown and described.

DESCRIPTION

FIG. 1 is a front view of my new and ornamental design for a kiosk for sales purposes in a closed position;

FIG. 2 is a rear view thereof;

FIG. 3 is a left side view thereof;

FIG. 4 is a right side view thereof;

FIG. 5 is a top view thereof;

FIG. 6 is a bottom view thereof;

FIG. 7 is a front perspective view thereof;

FIG. 8 is a rear perspective view thereof;

FIG. 9 is a front view of my new and ornamental design for a kiosk for sales purposes in a partially opened position;

FIG. 10 is a rear view of FIG. 9;

FIG. 11 is a left side view of FIG. 9;

FIG. 12 is a right side view of FIG. 9;

FIG. 13 is a top view of FIG. 9;

FIG. 14 is a bottom view of FIG. 9;

FIG. 15 is a front perspective view of FIG. 9;

FIG. 16 is a front perspective view of FIG. 9, shown in a further opened position;

FIG. 17 is a rear perspective view of FIG. 9;

FIG. 18 is a rear perspective view of FIG. 16;

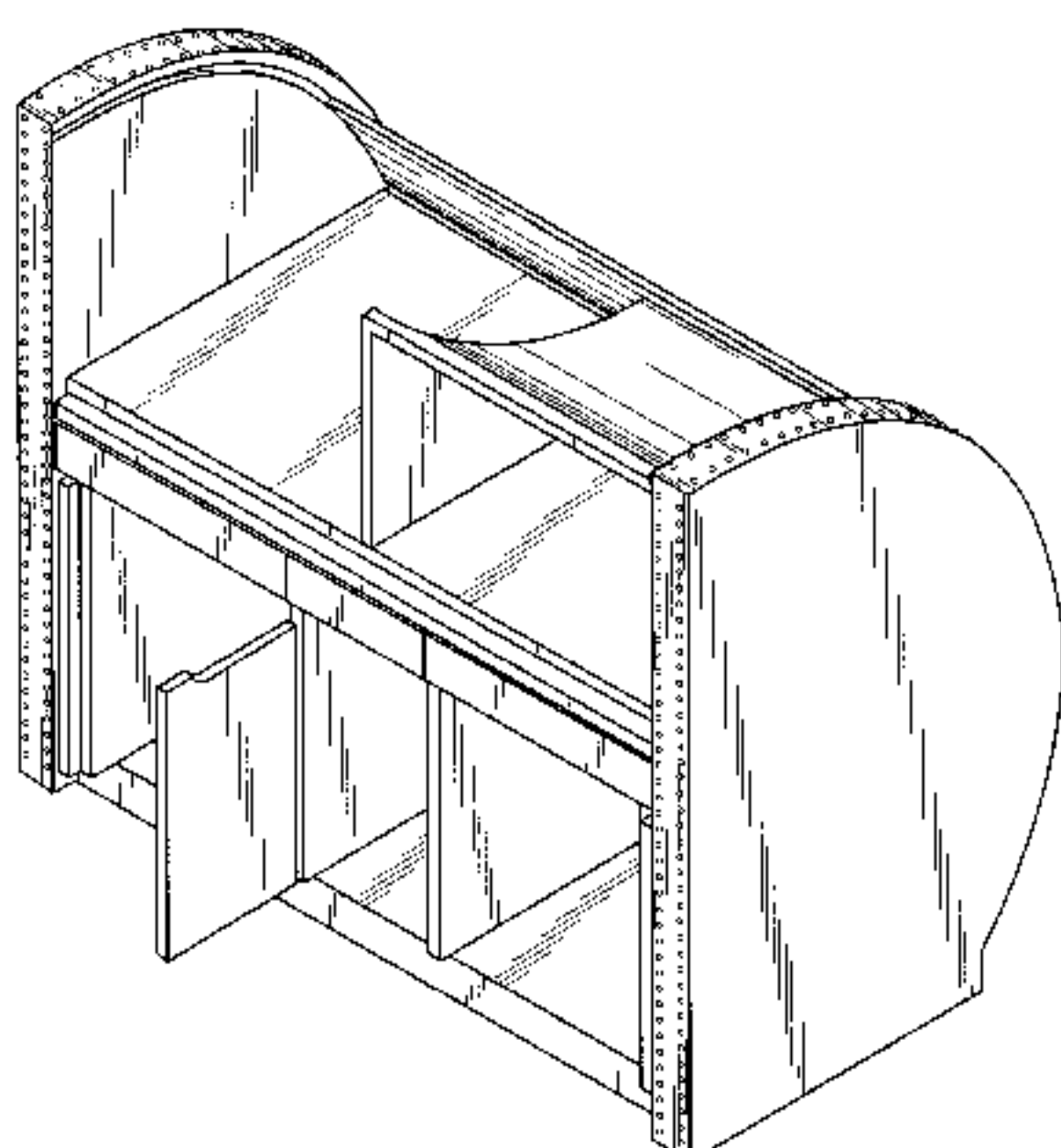
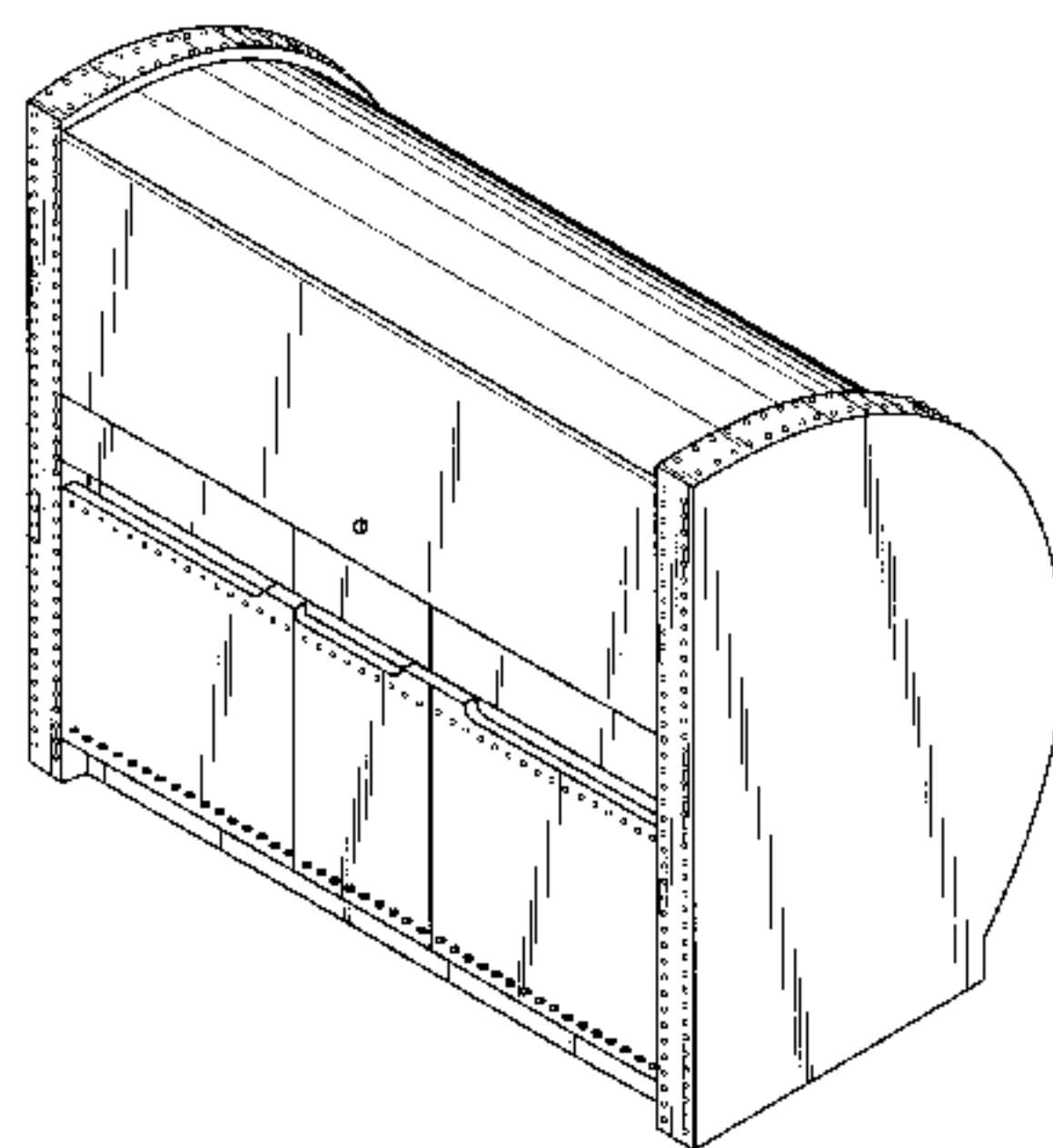
FIG. 19 is another left side view of FIG. 16;

FIG. 20 is another right side view of FIG. 16;

FIG. 21 is another top view of FIG. 16; and,

FIG. 22 is another bottom view of FIG. 16.

1 Claim, 14 Drawing Sheets



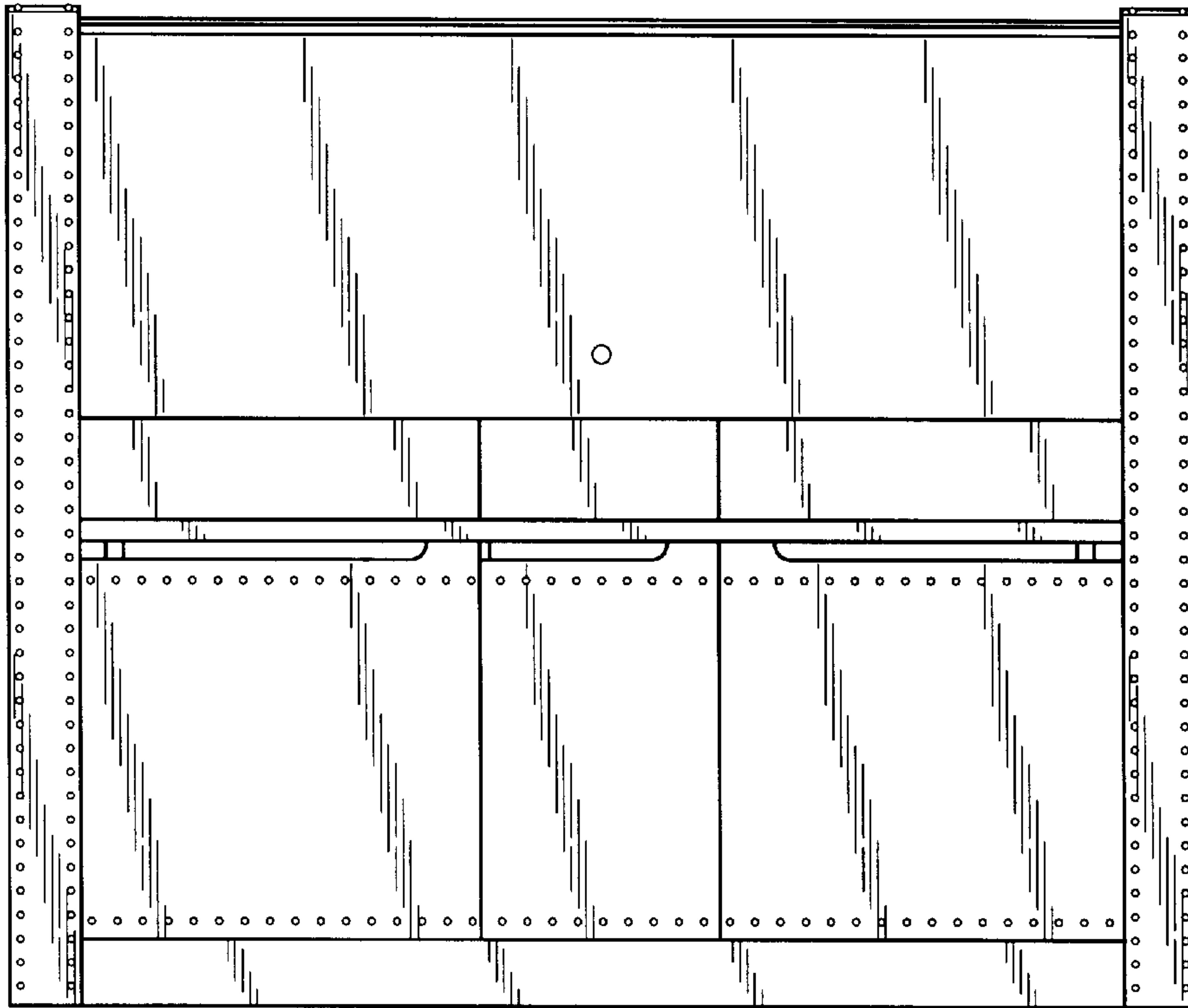


Fig. 1

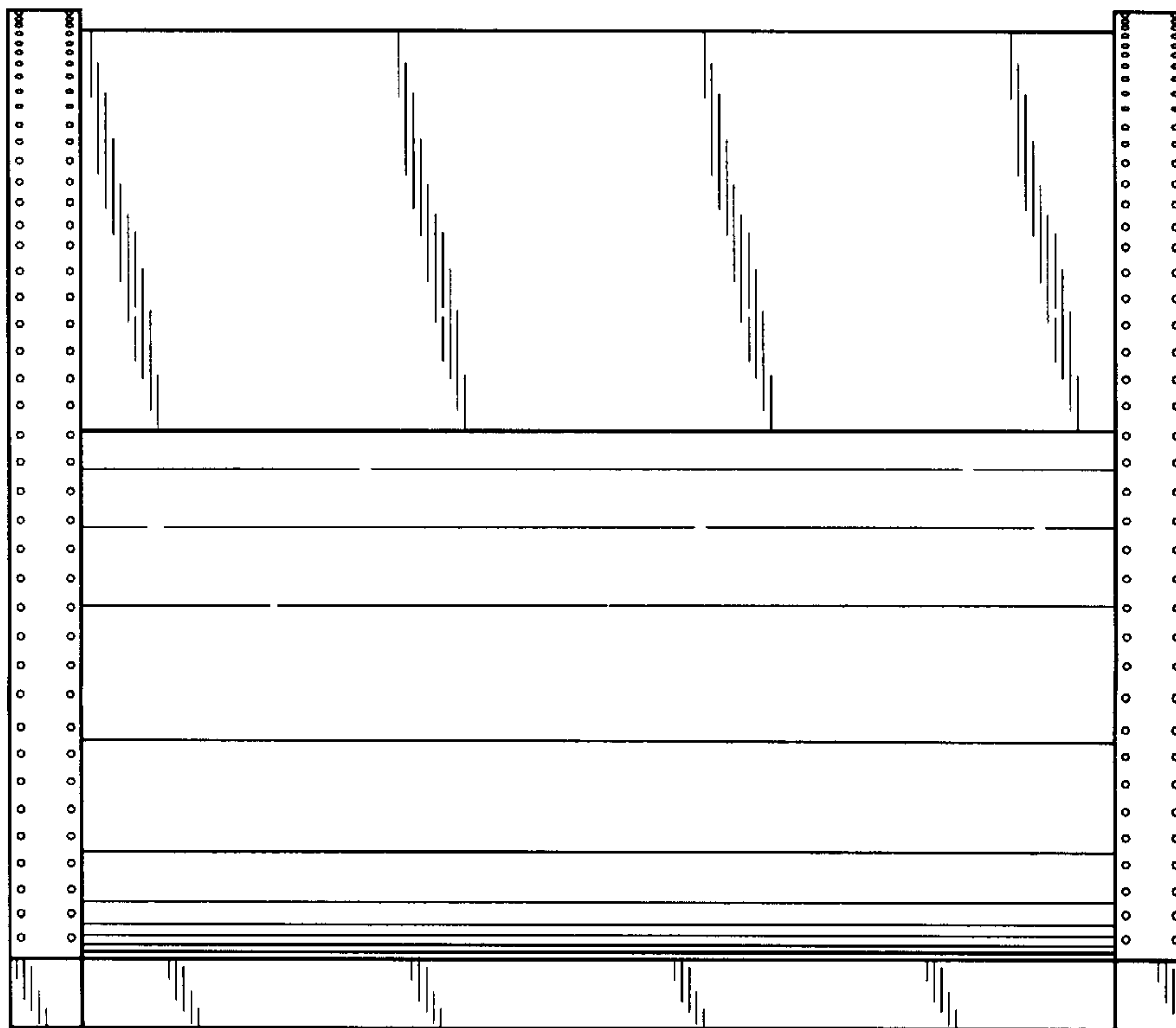


Fig. 2

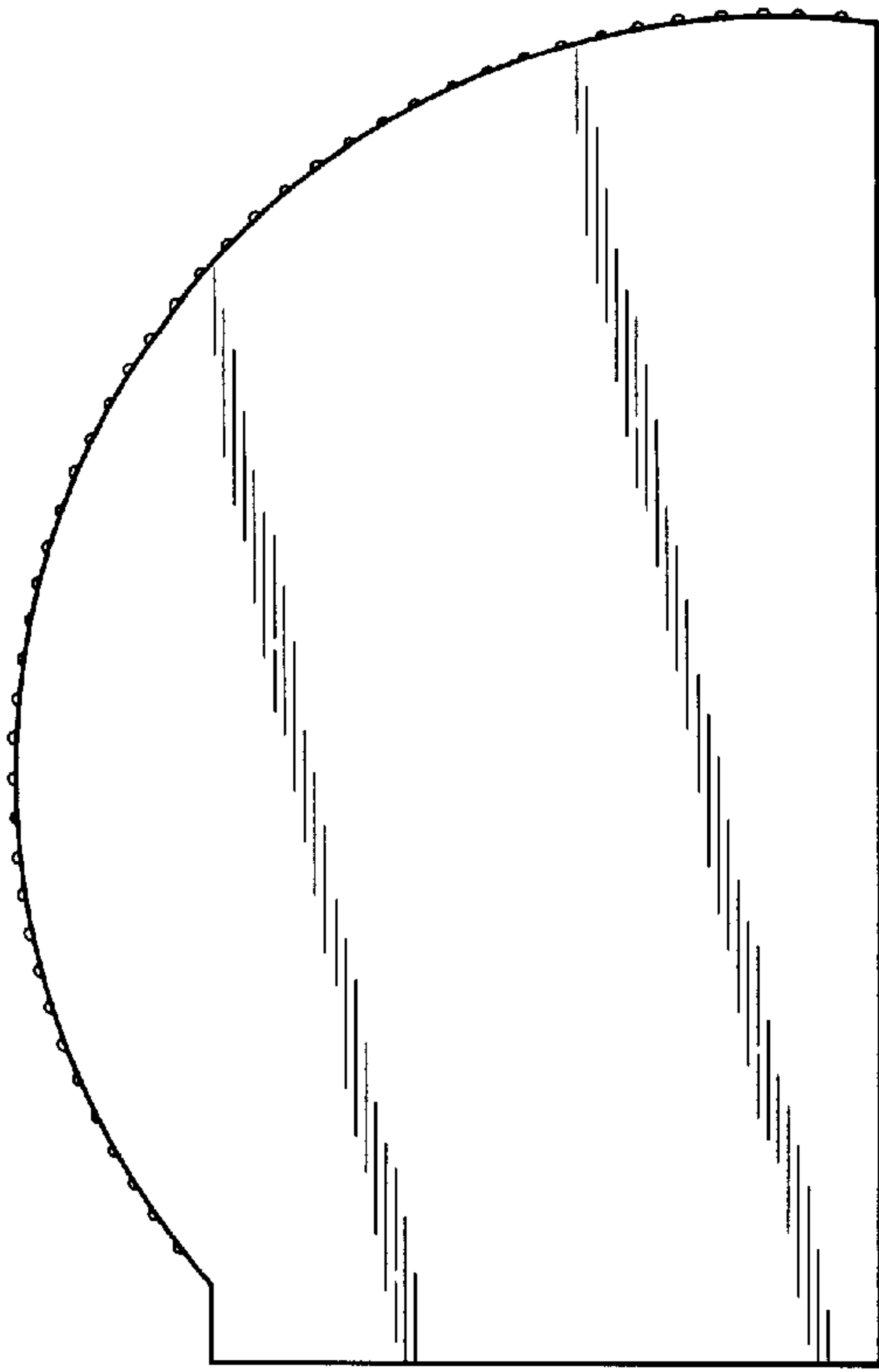


Fig. 3

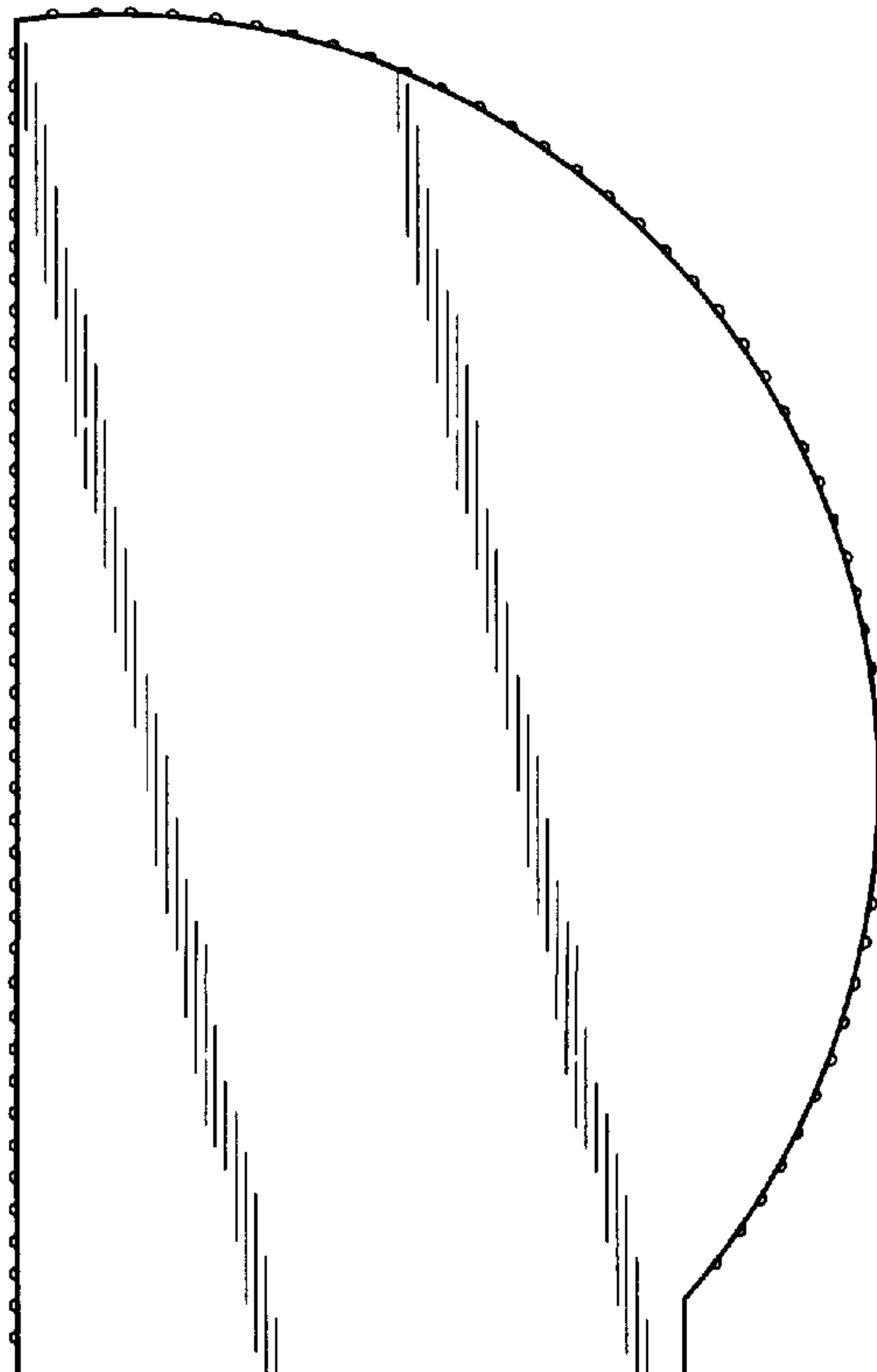


Fig. 4

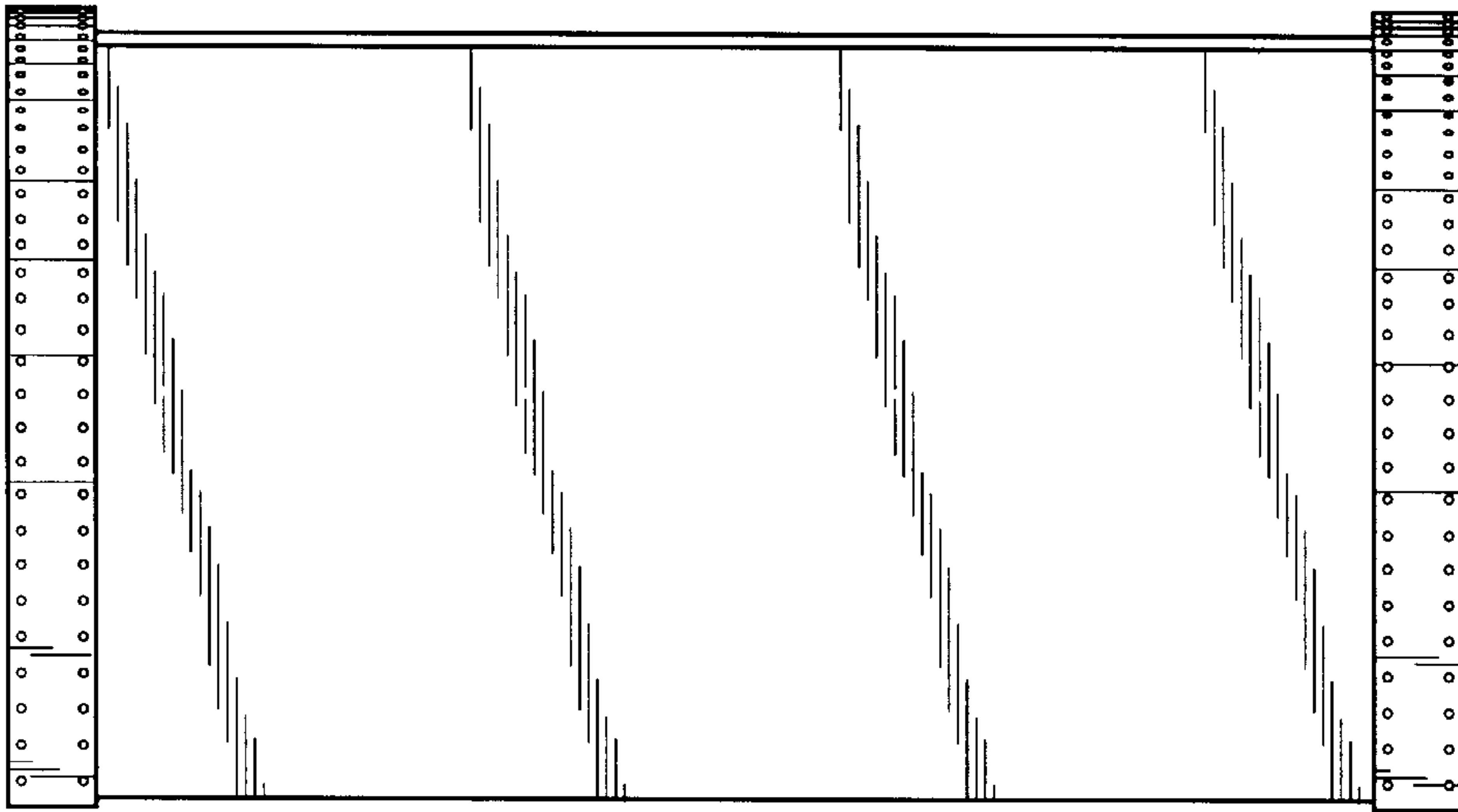


Fig. 5

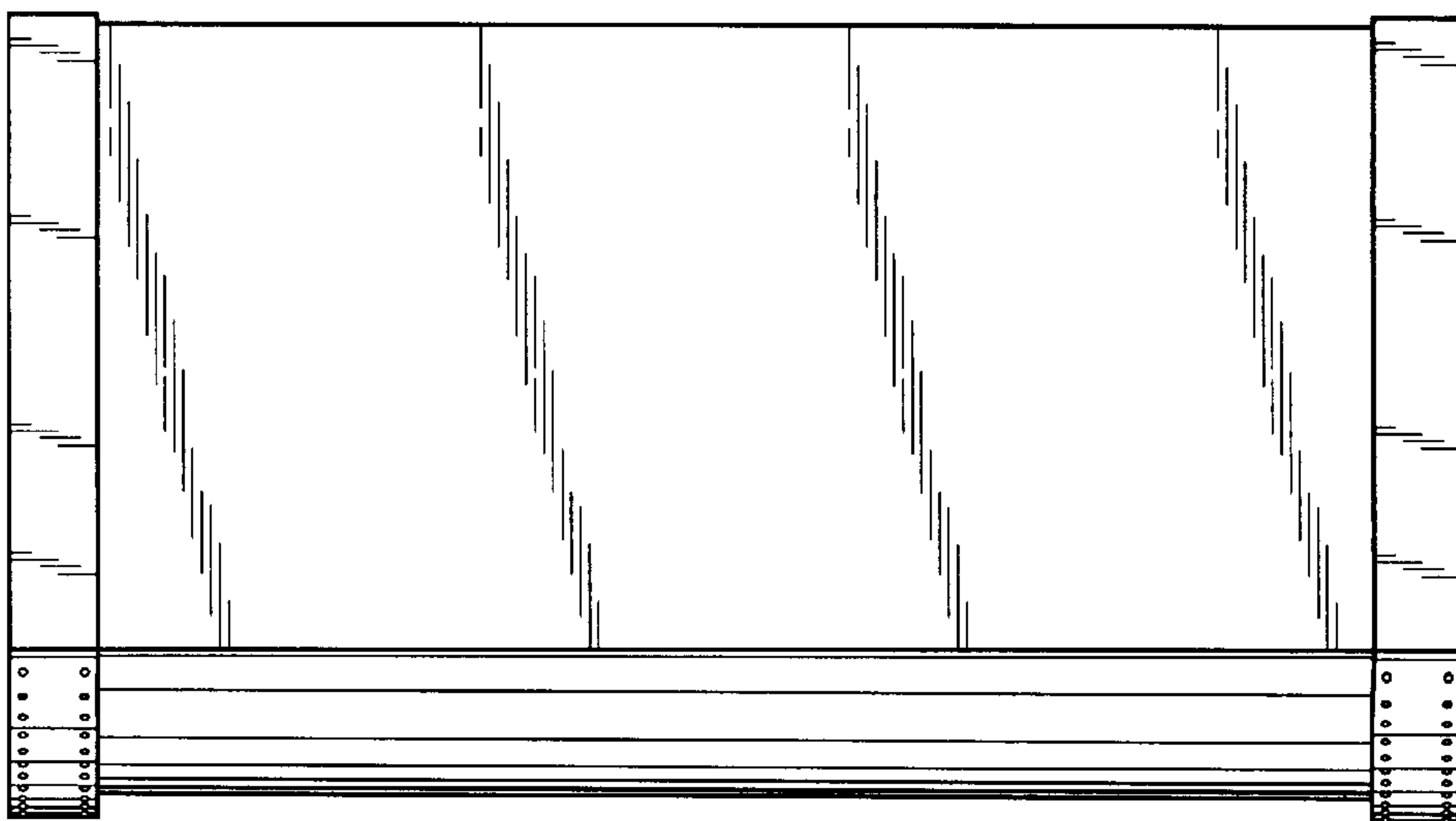


Fig. 6

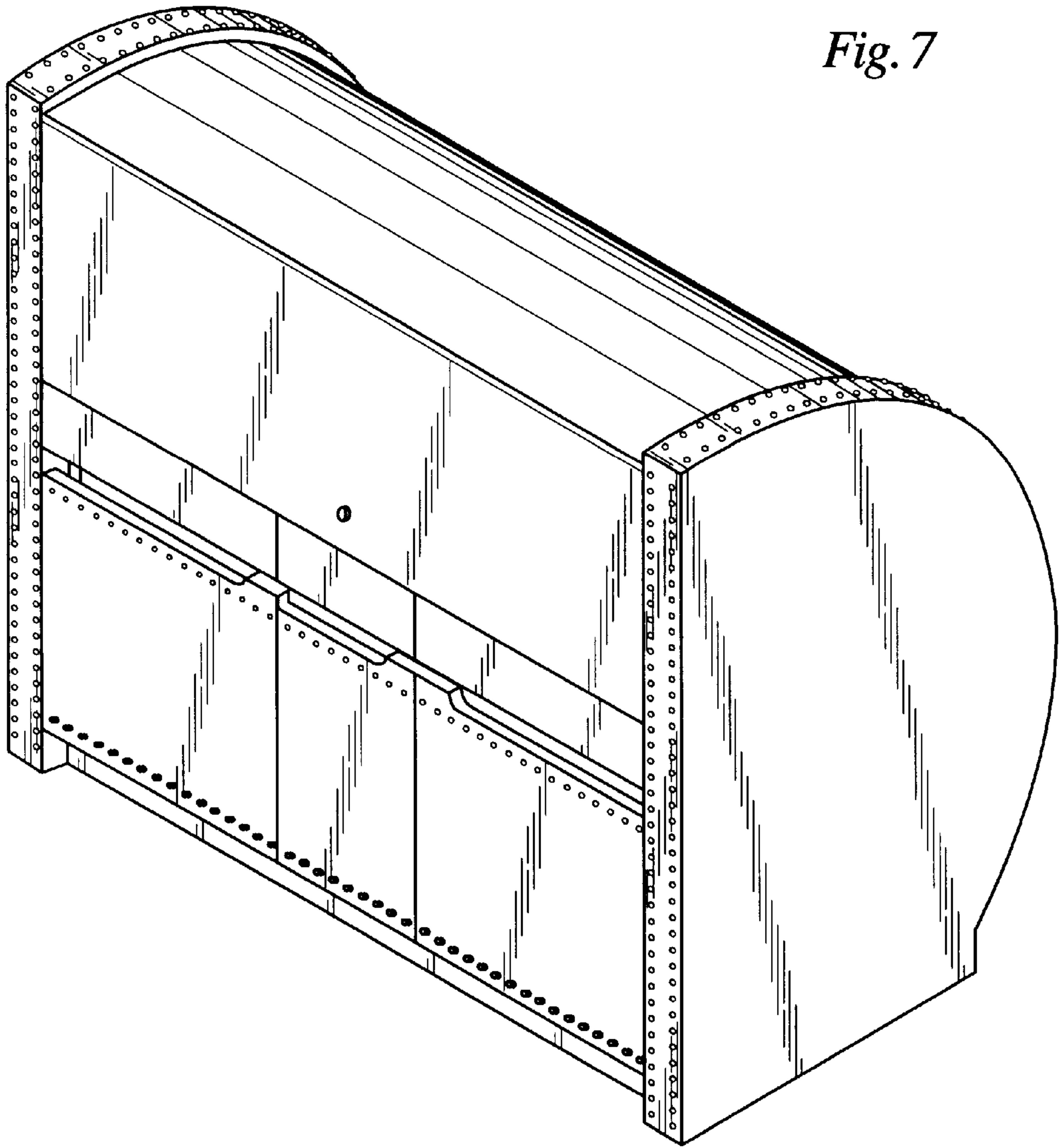


Fig. 7

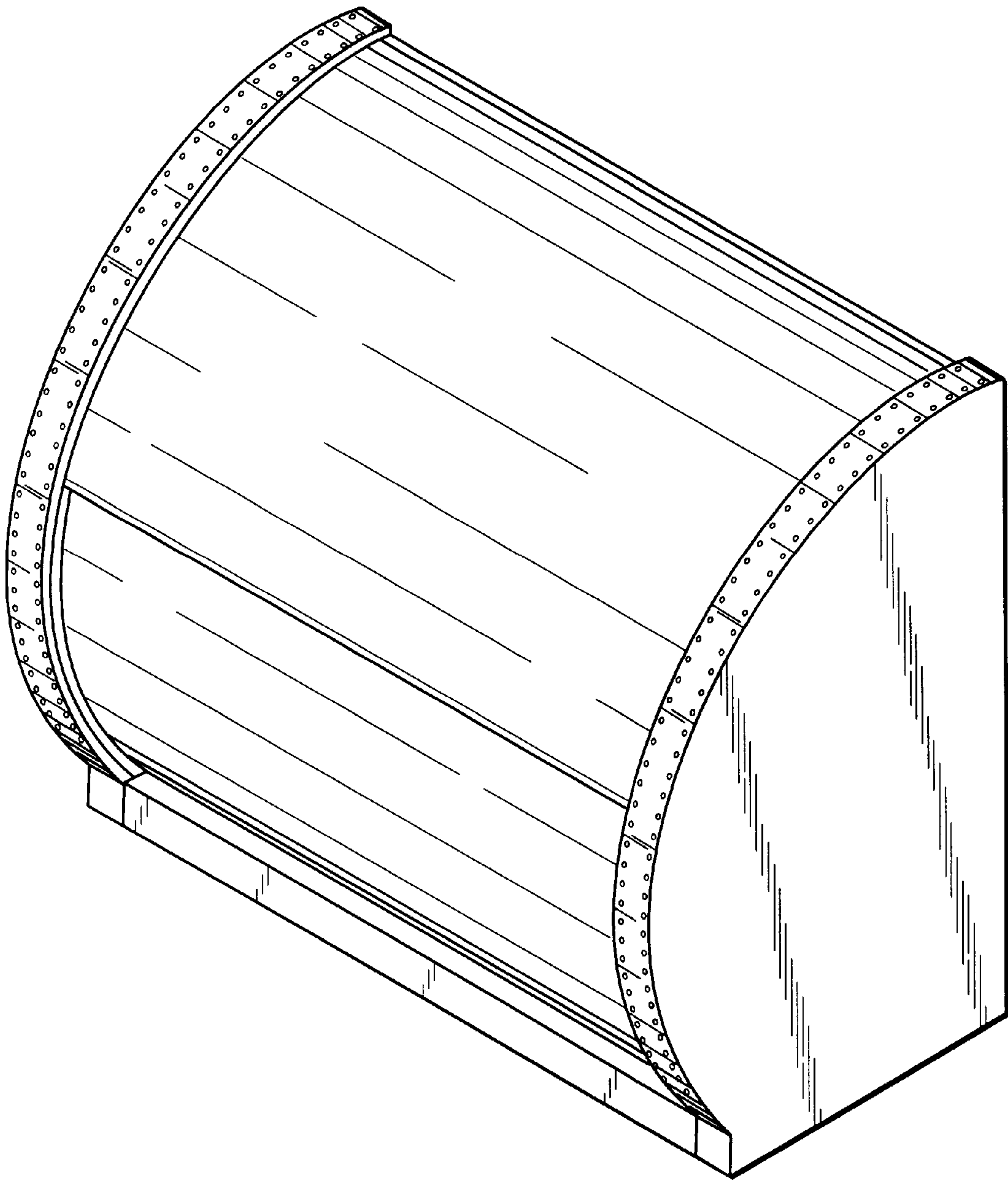


Fig. 8

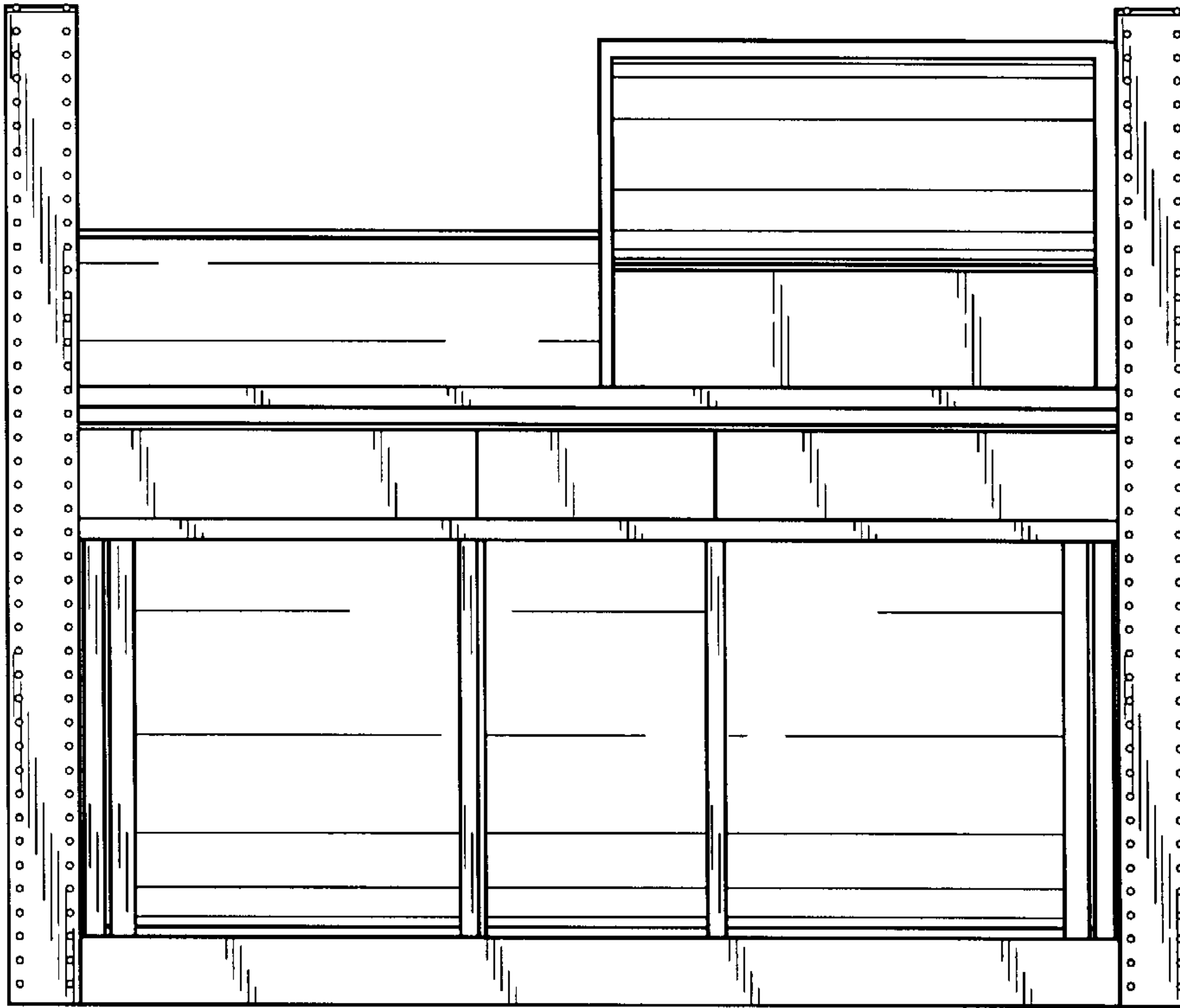


Fig. 9

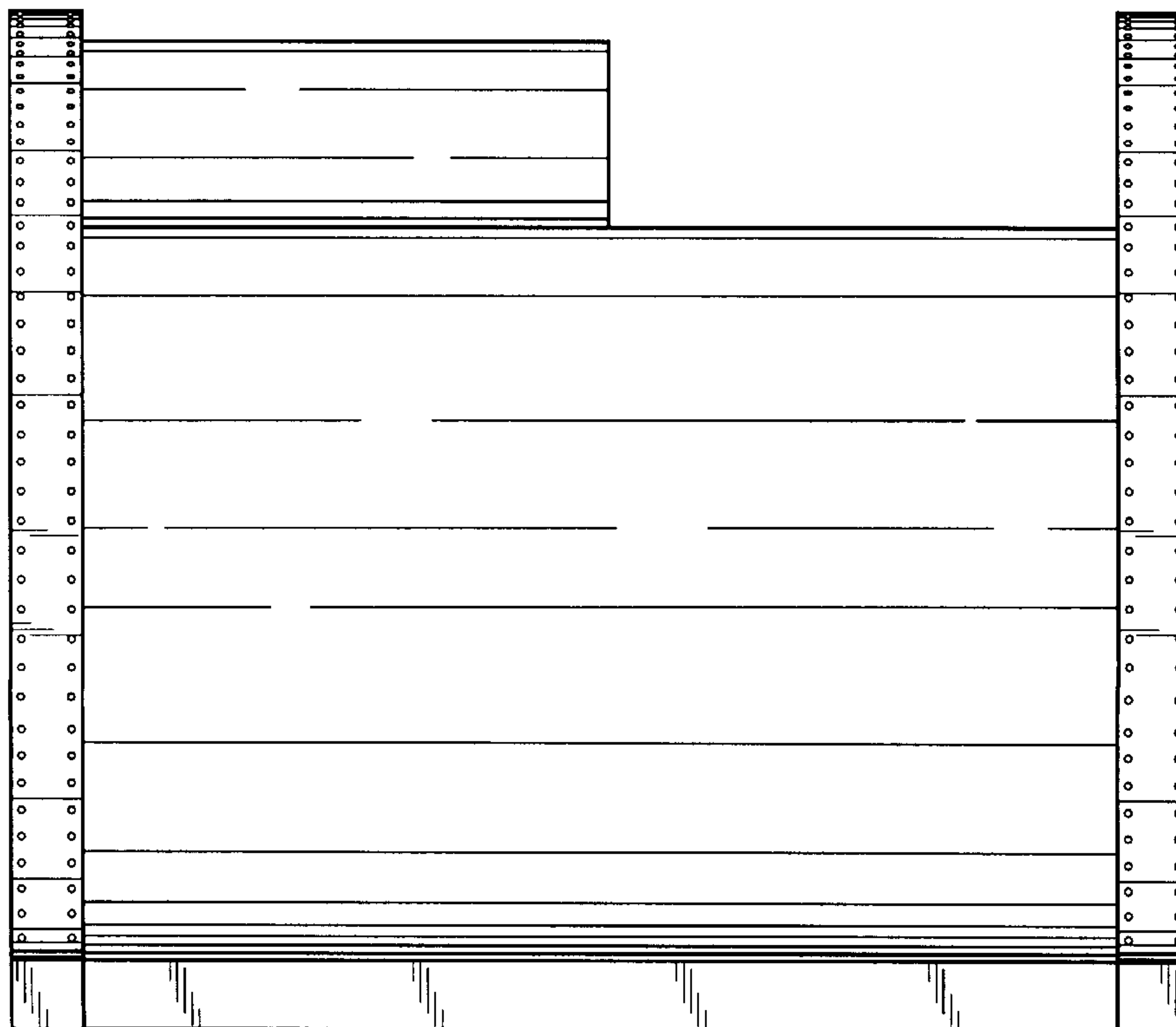


Fig. 10

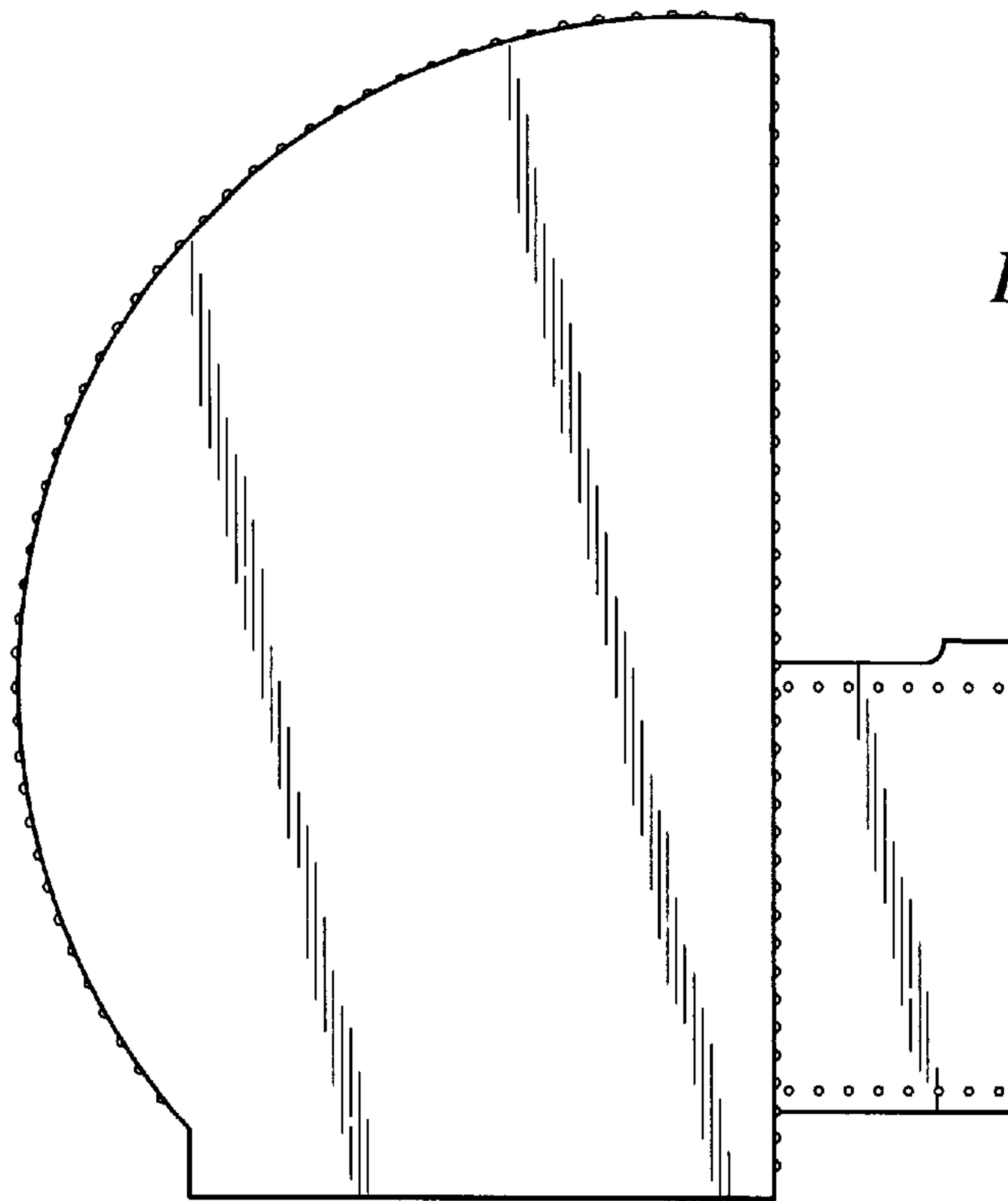


Fig. 11

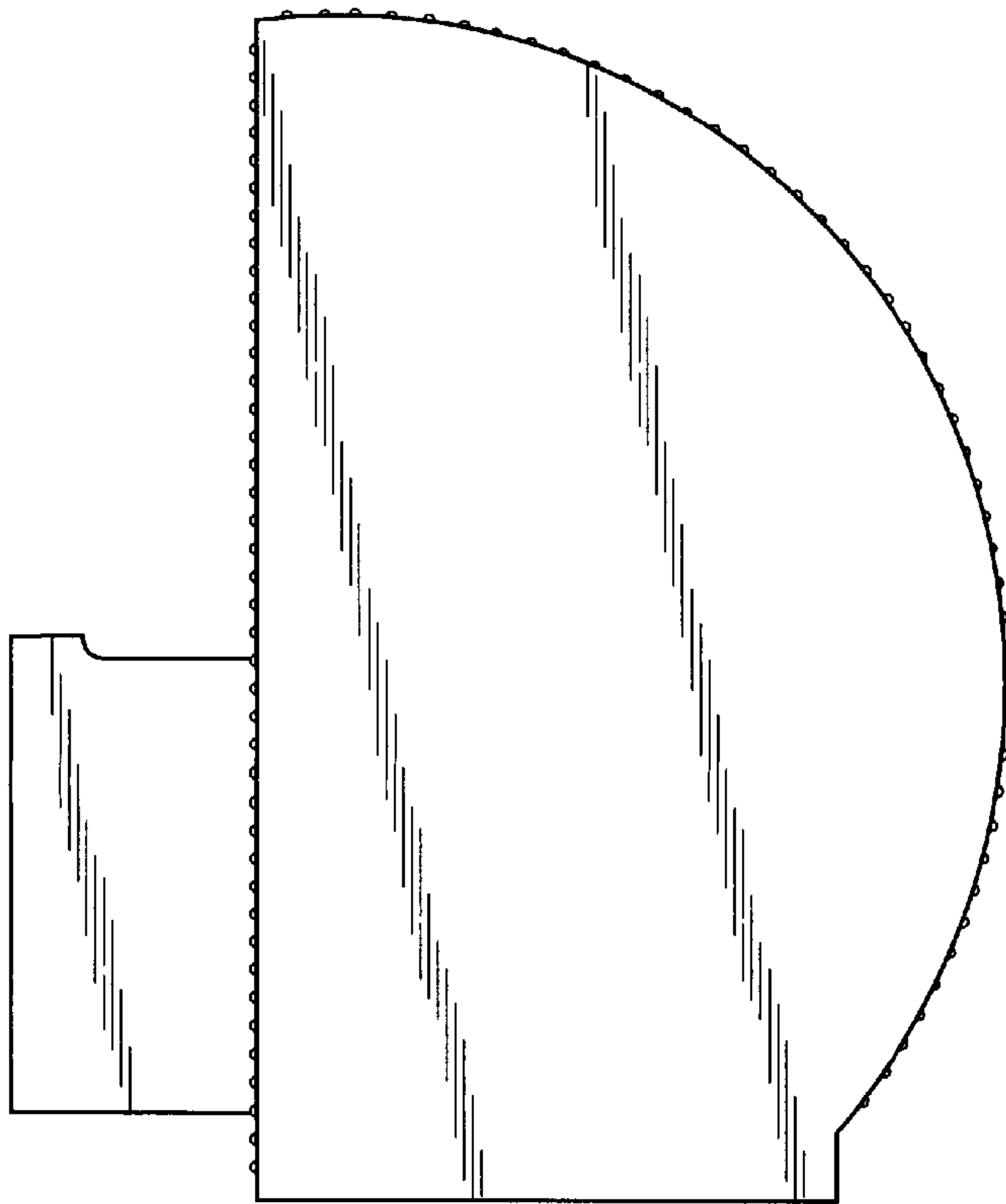


Fig. 12

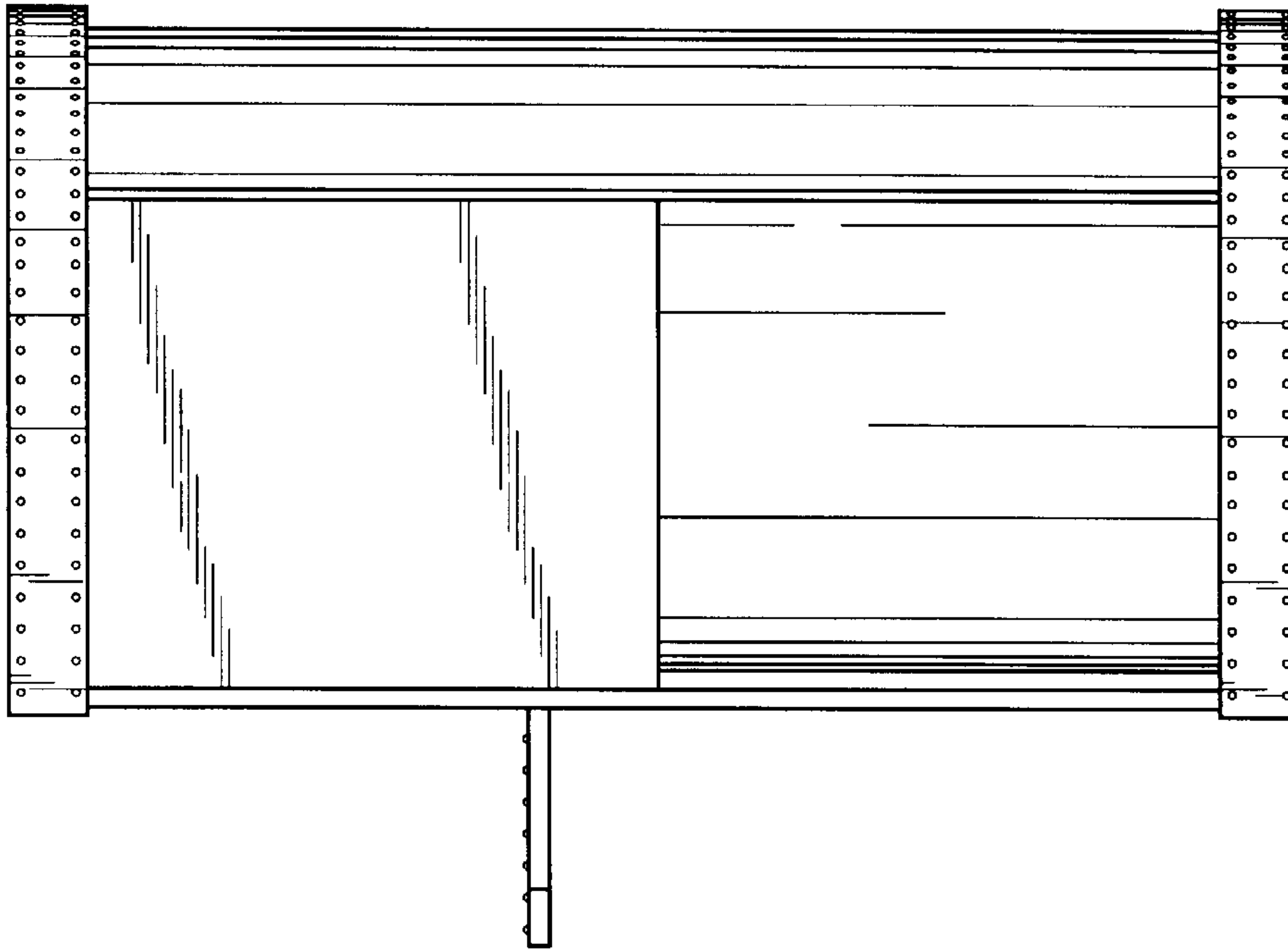


Fig. 13

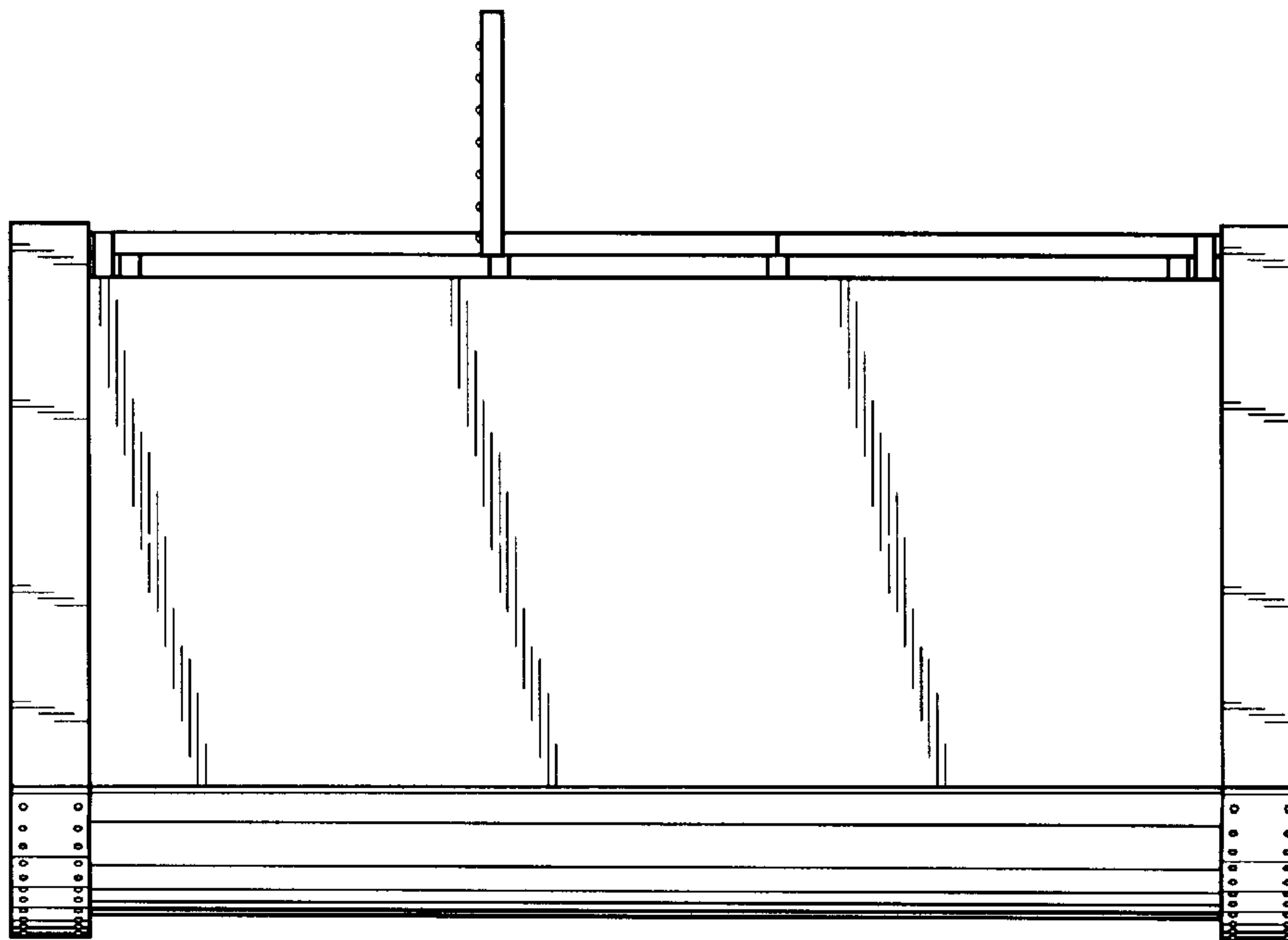


Fig. 14

Fig. 15

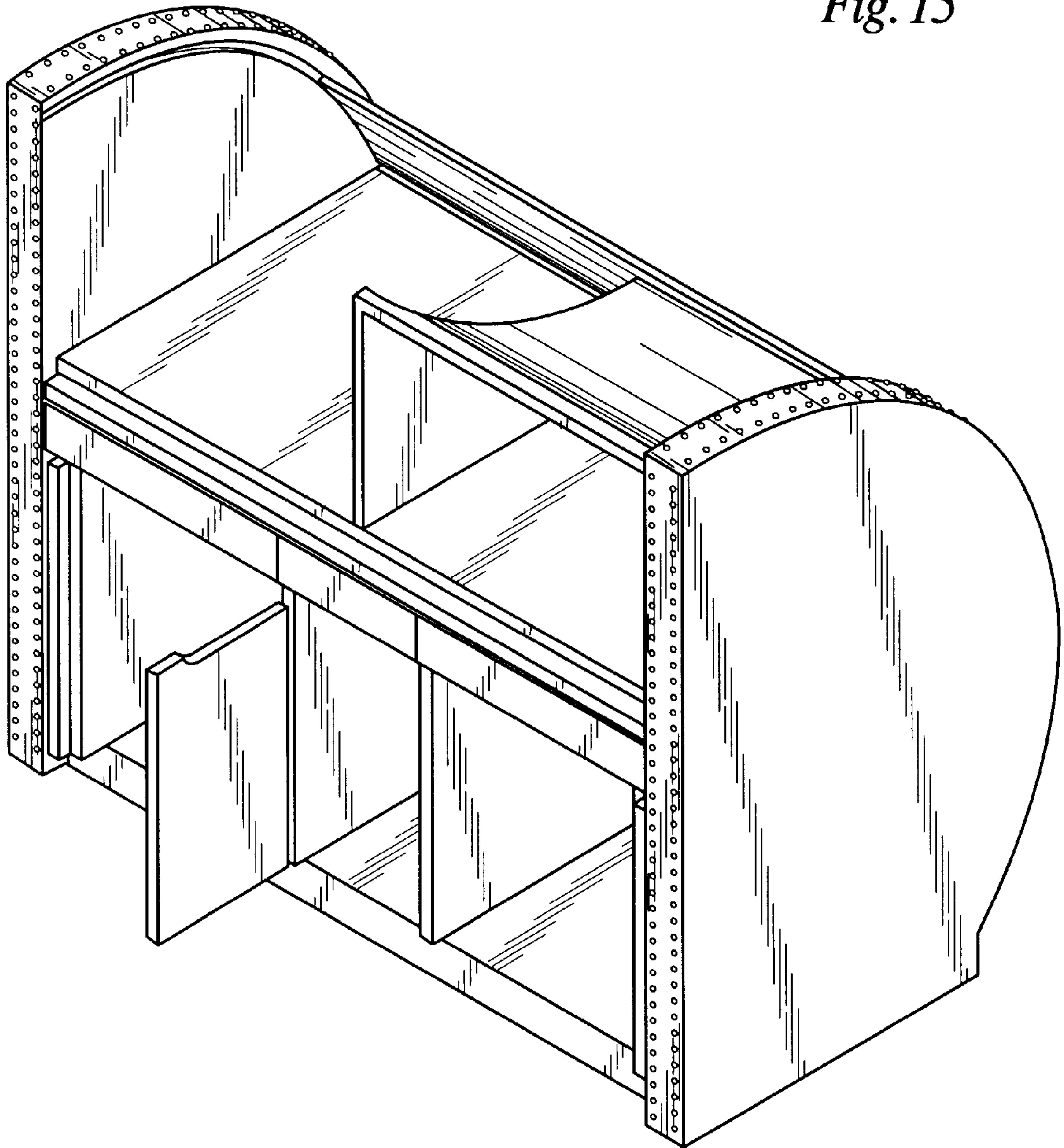
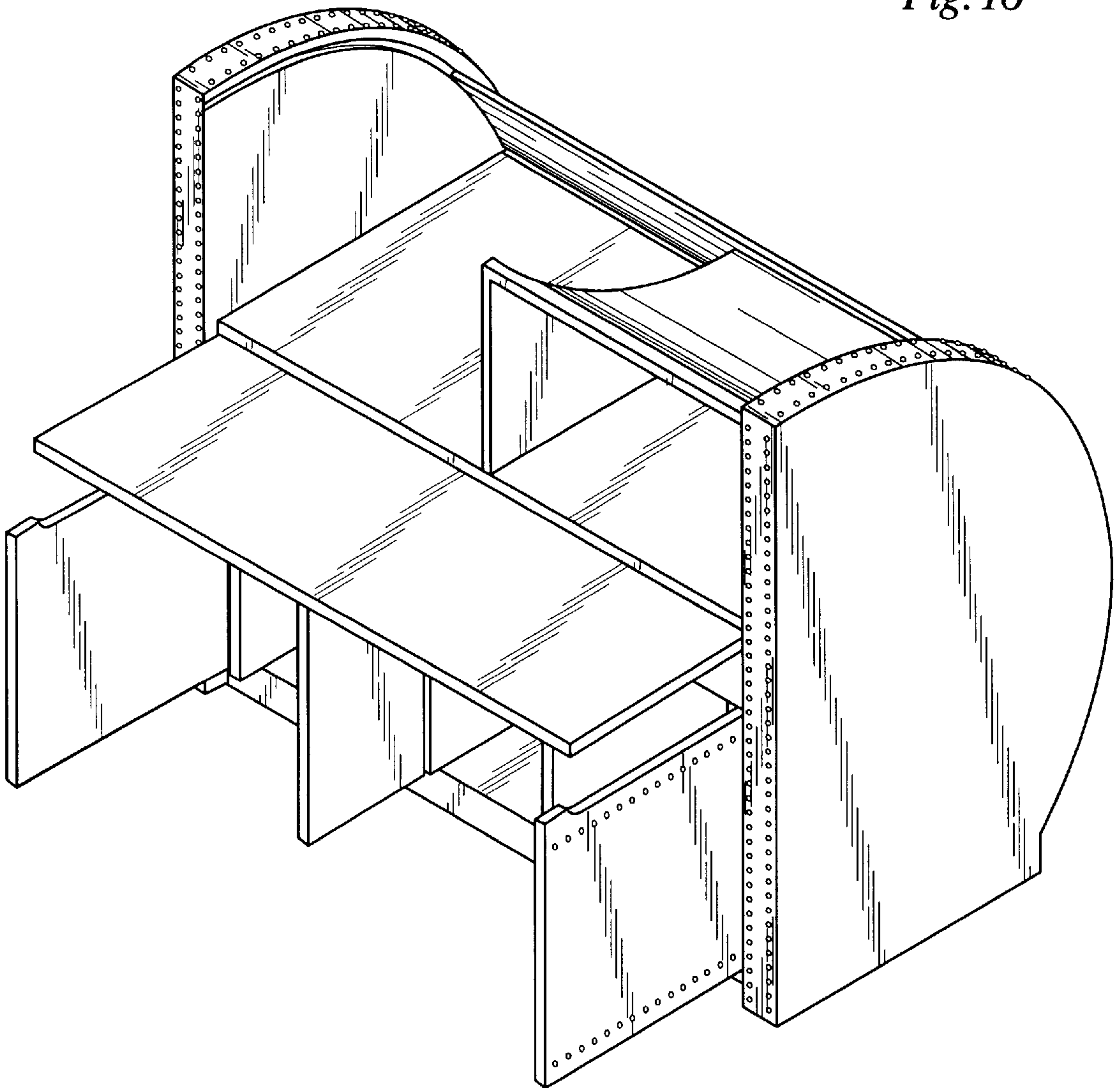


Fig. 16



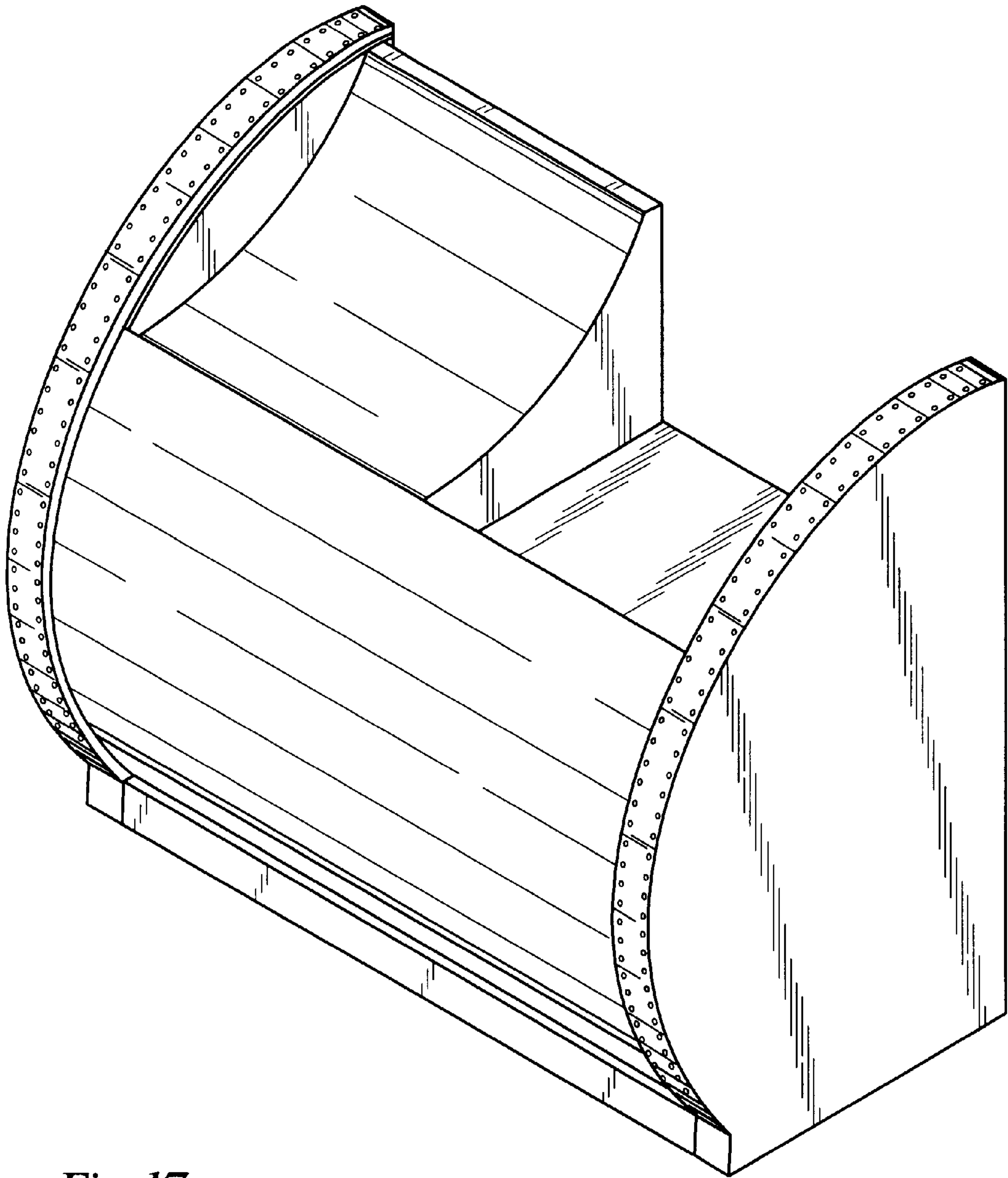


Fig. 17

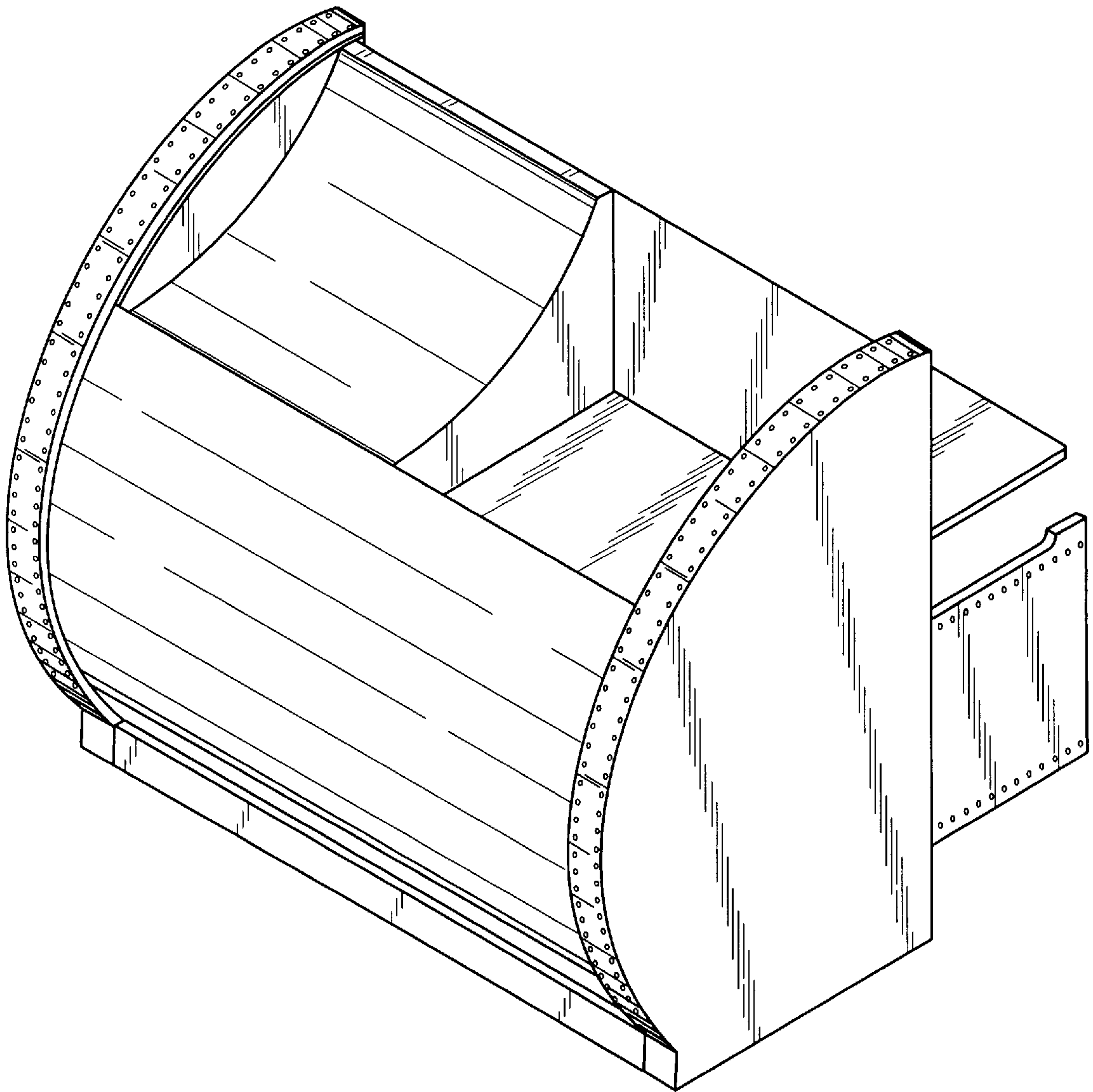


Fig. 18

Fig. 19

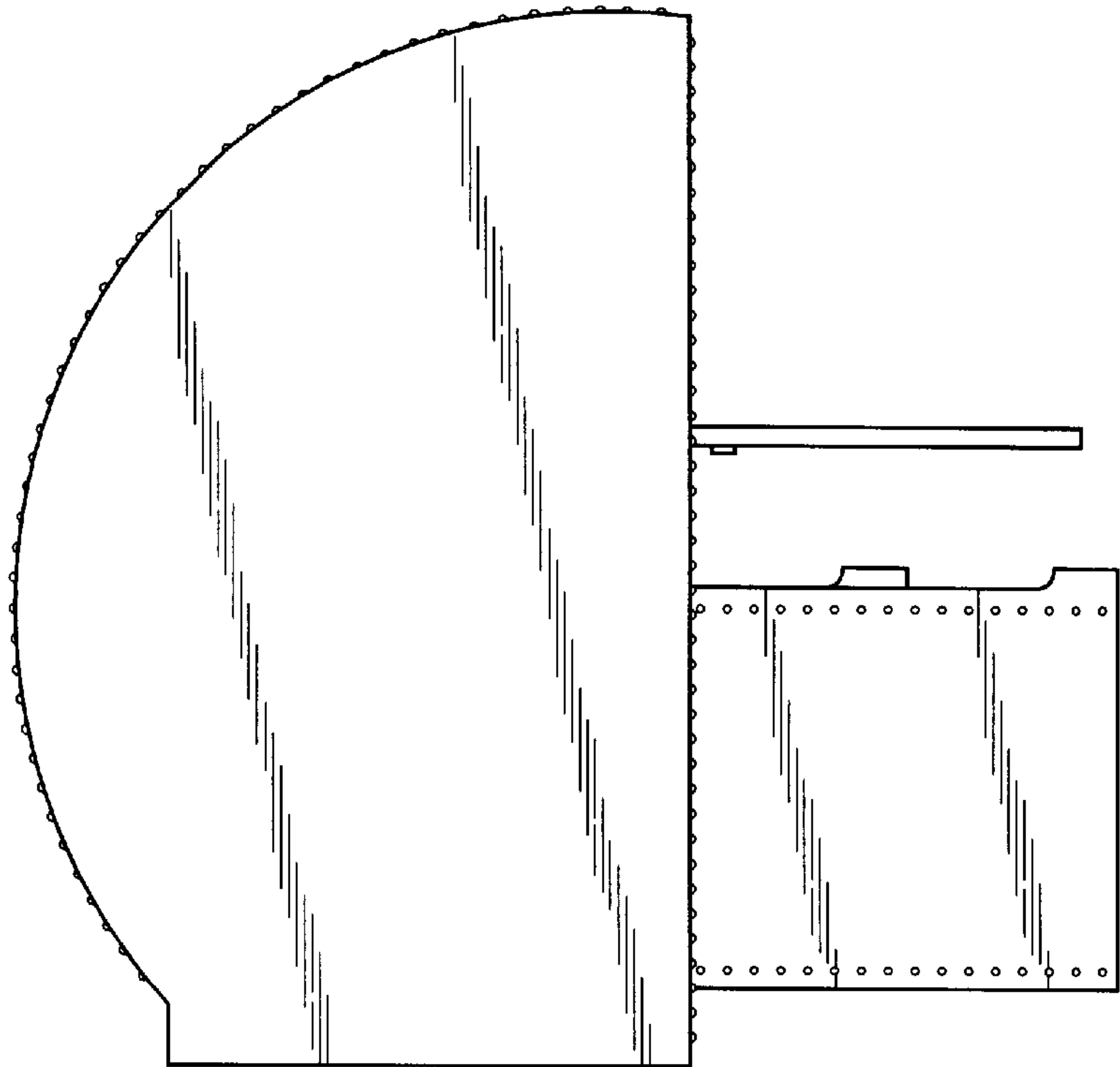
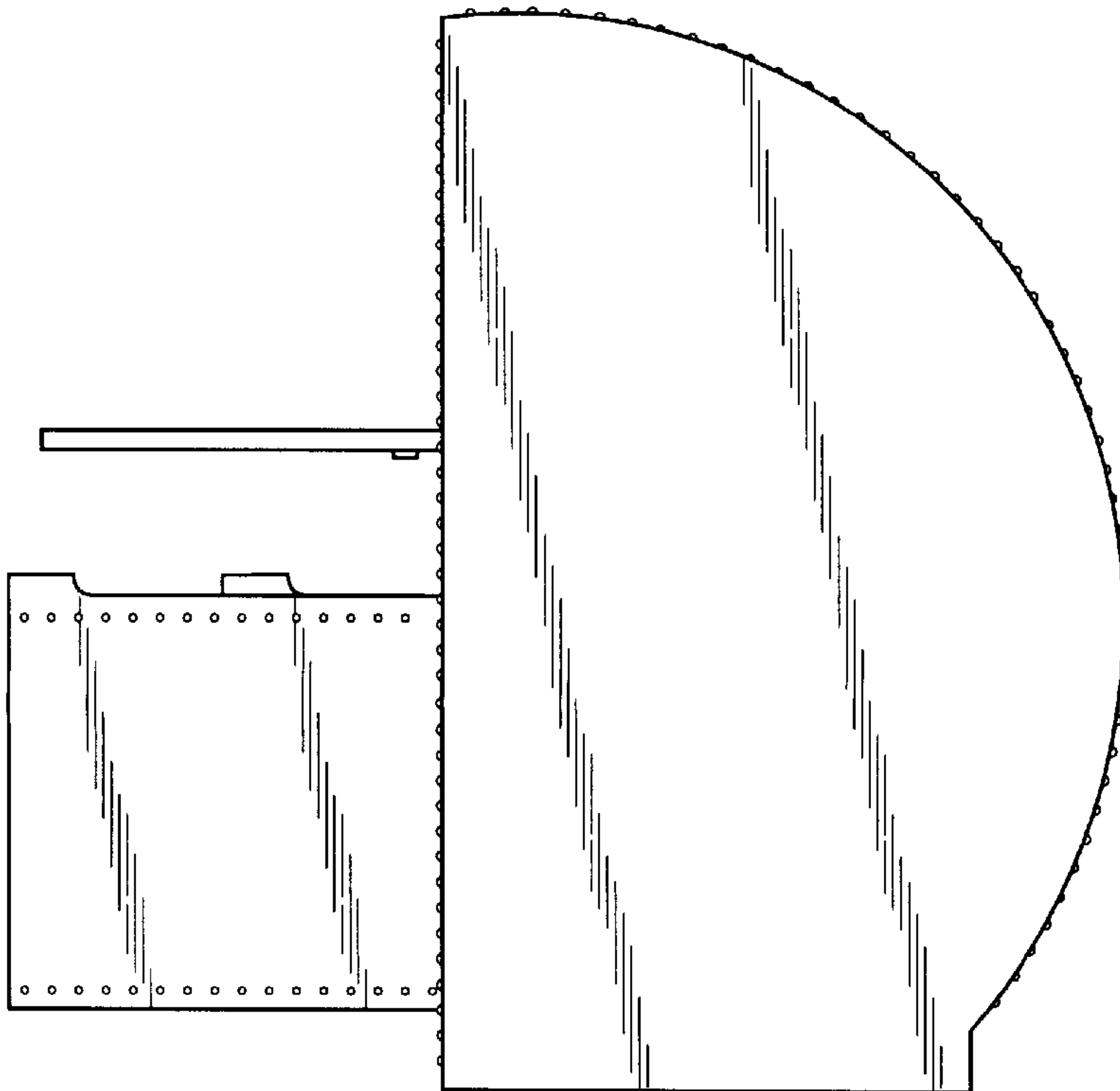


Fig. 20



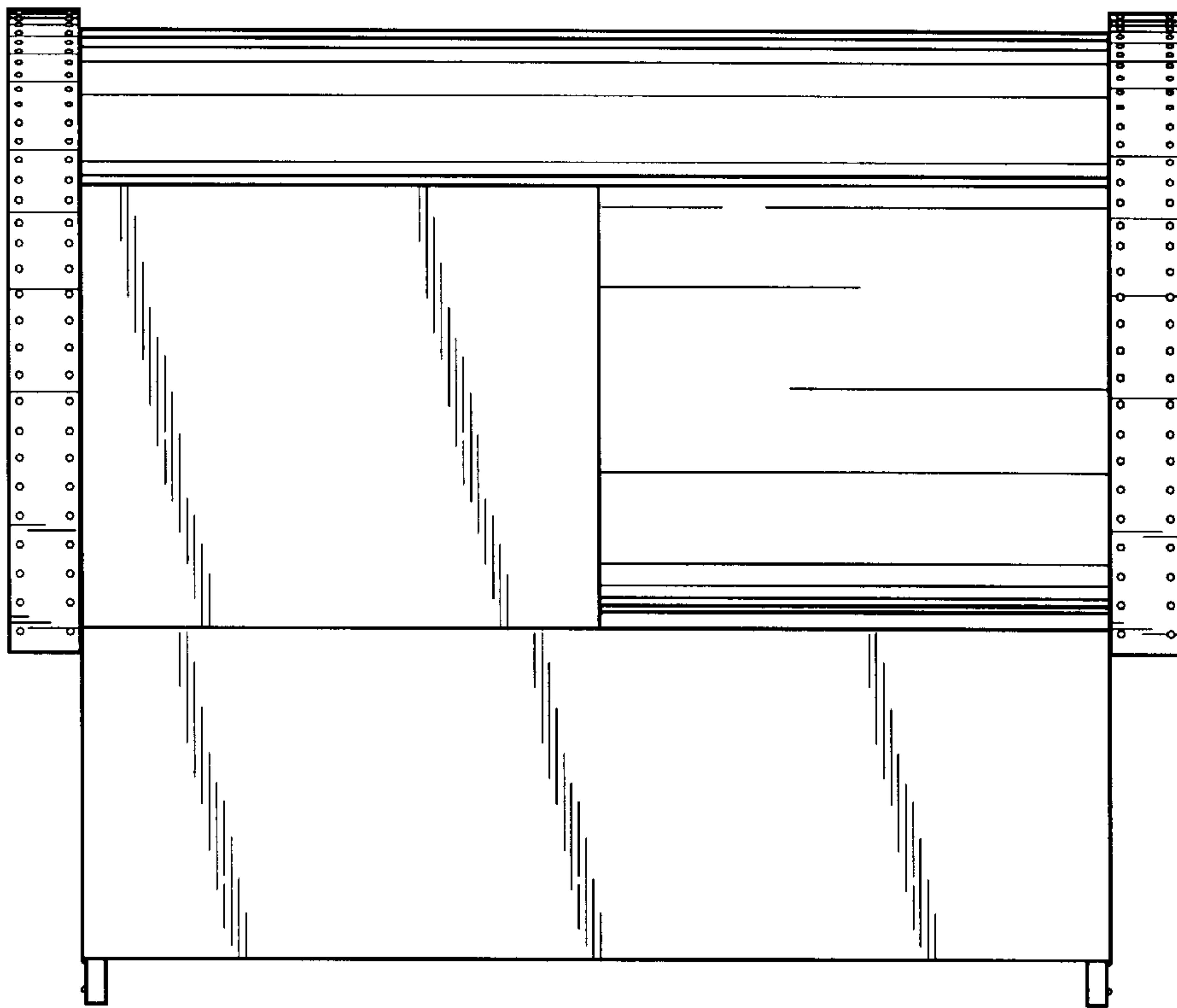


Fig. 21

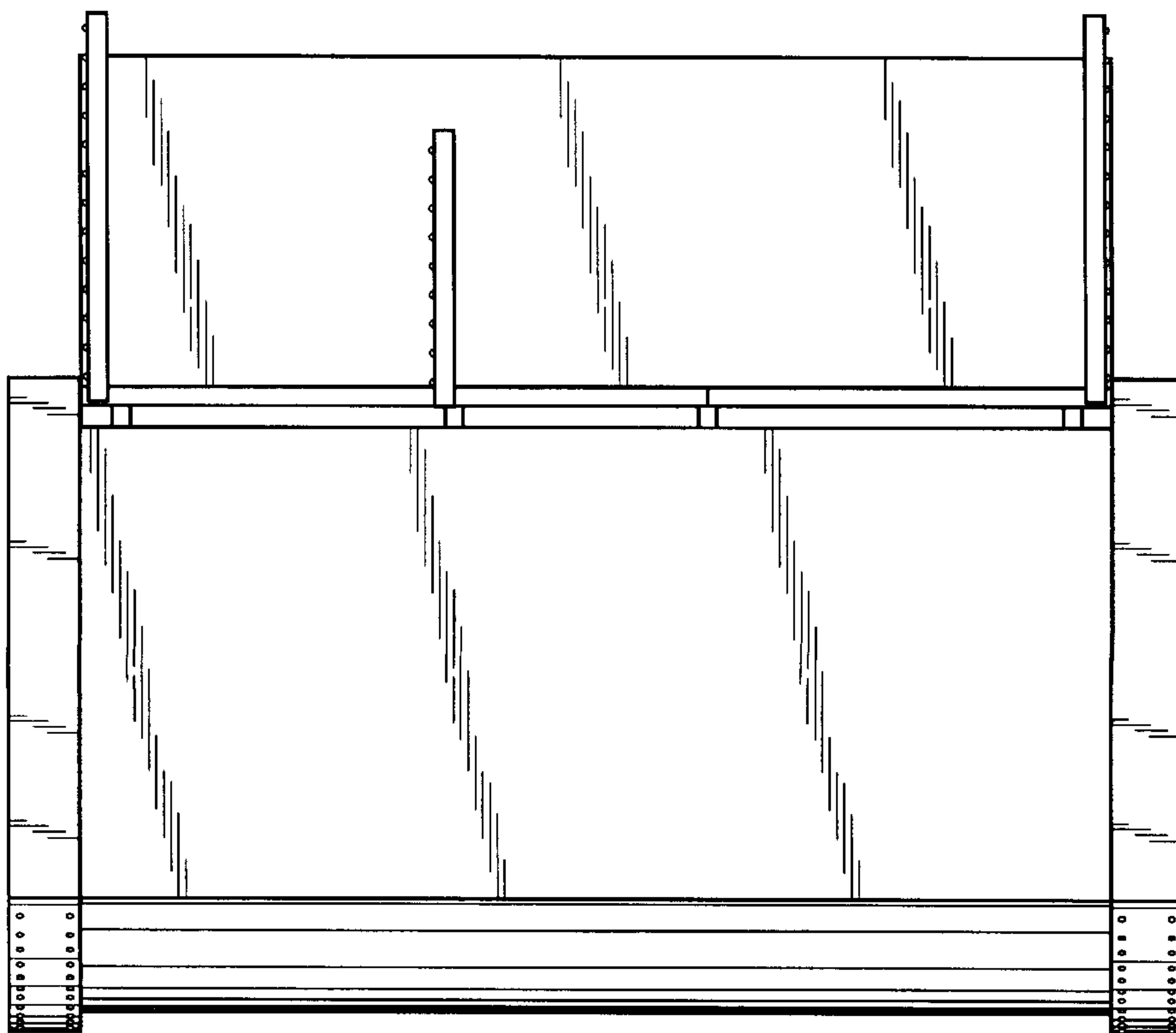


Fig. 22