



US00D446045S

(12) **United States Design Patent**
Hunt et al.

(10) **Patent No.:** **US D446,045 S**

(45) **Date of Patent:** **** Aug. 7, 2001**

(54) **ADJUSTABLE COMPUTER STAND**

(75) Inventors: **Morris Dean Hunt**, Stantonville;
Bradley Dean Hunt, Dresden, both of
TN (US)

(73) Assignee: **D.B.H. Attachments, Inc.**, Adamsville,
TN (US)

(**) Term: **14 Years**

(21) Appl. No.: **29/122,495**

(22) Filed: **Apr. 27, 2000**

(51) **LOC (7) Cl.** **06-03**

(52) **U.S. Cl.** **D6/426; D6/480; D6/429;**
D6/474

(58) **Field of Search** D6/480-489, 495-499,
D6/425-426, 474; 108/153, 155, 156, 157.1,
157.16, 157.15, 160, 50.01, 50.02, 64, 59,
139, 140, 93, 94; 248/188, 188.1; 312/208.1,
194-197

(56) **References Cited**

U.S. PATENT DOCUMENTS

D. 274,586	*	7/1984	Cope et al.	D6/420
D. 409,020	*	5/1999	Hardin	D6/480
D. 410,806	*	6/1999	Olson et al.	D6/484
4,440,096		4/1984	Rice et al. .	
4,805,538		2/1989	Fisher et al. .	
5,088,421		2/1992	Beckstead .	

5,101,736	4/1992	Bommarito et al. .	
5,323,695	6/1994	Borgman et al. .	
5,423,502	6/1995	Thomason et al. .	
5,443,017	8/1995	Wacker et al. .	
5,495,811	3/1996	Carson et al. .	
5,526,756	6/1996	Watson .	
5,704,298	1/1998	Corpuz, Jr. et al. .	
6,158,357	* 12/2000	Shih	108/50.01

* cited by examiner

Primary Examiner—Janice E. Seeger

(74) *Attorney, Agent, or Firm*—Blackwell Sanders Peper
Martin

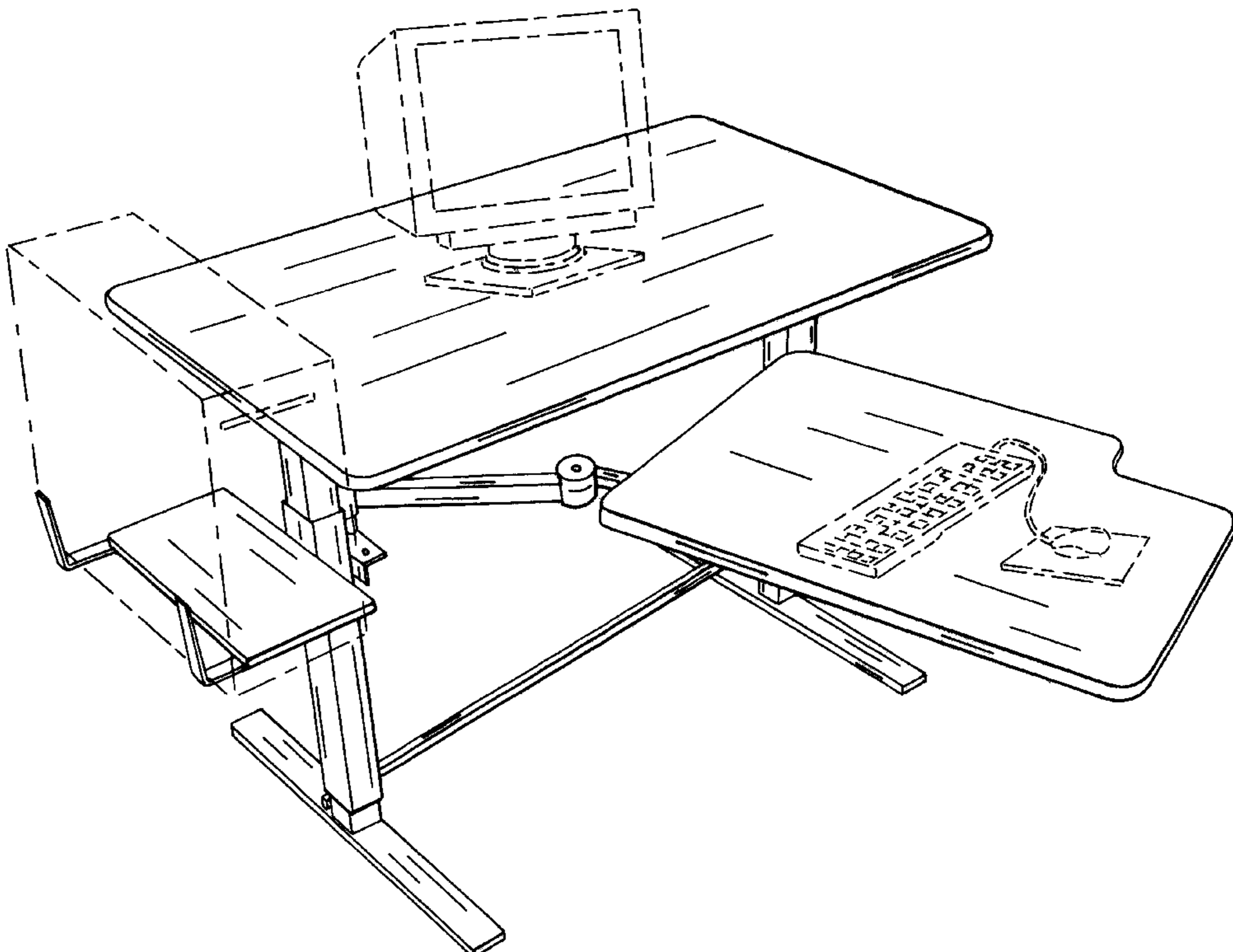
(57) **CLAIM**

The ornamental design for an adjustable computer stand, as
shown and described.

DESCRIPTION

FIG. 1 is an upper front left perspective view of an adjust-
able computer stand showing our new design;
FIG. 2 is an upper front right perspective view thereof; and
FIG. 3 is an upper right back perspective view thereof;
FIG. 4 is an upper front left perspective view of an alter-
native embodiment of the adjustable computer stand of FIG.
1;
FIG. 5 is an upper front right perspective view thereof; and,
FIG. 6 is an upper rear left perspective view thereof.
The broken line showing is for illustrative purposes only and
forms no part of the claimed design.

1 Claim, 6 Drawing Sheets



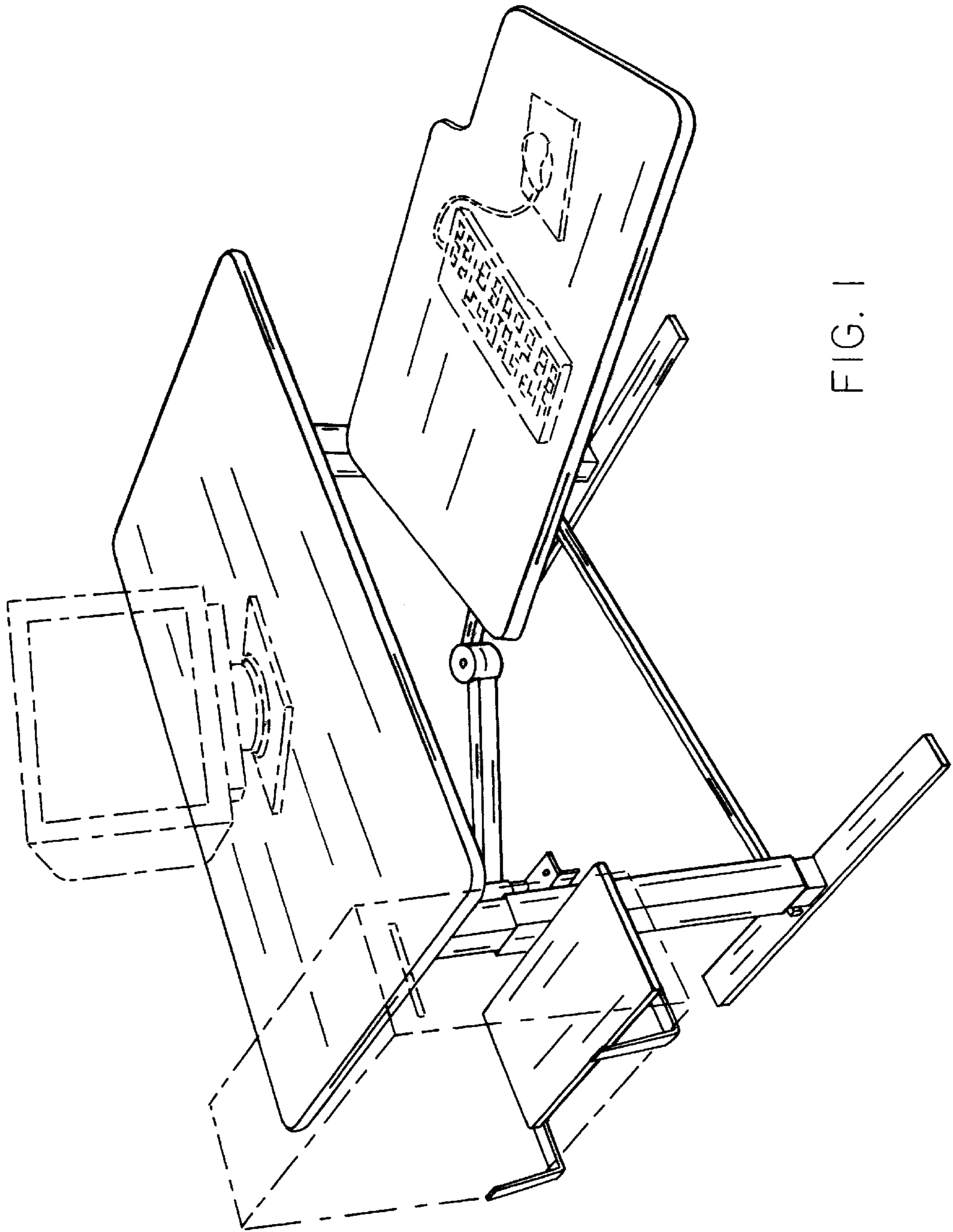


FIG. 1

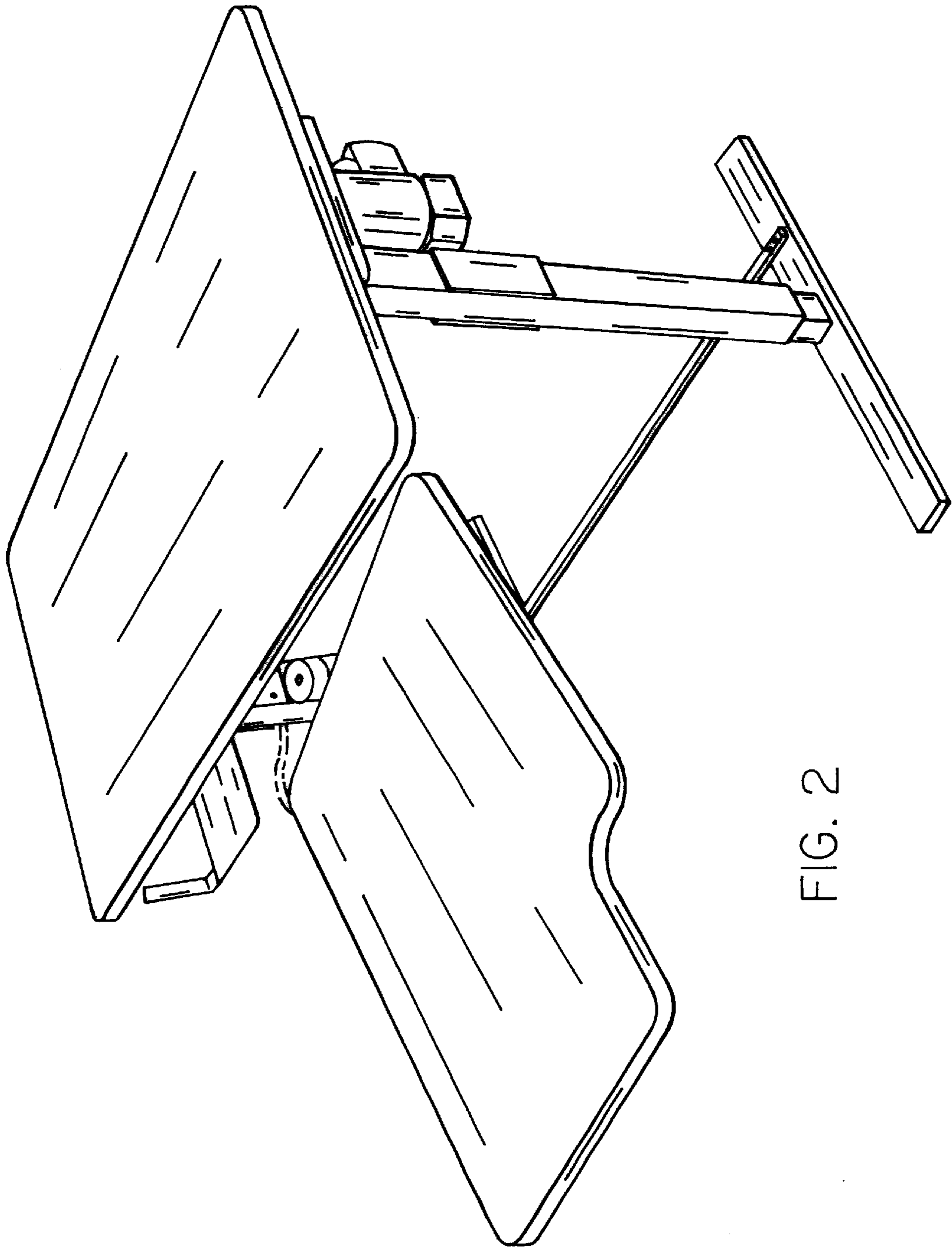


FIG. 2

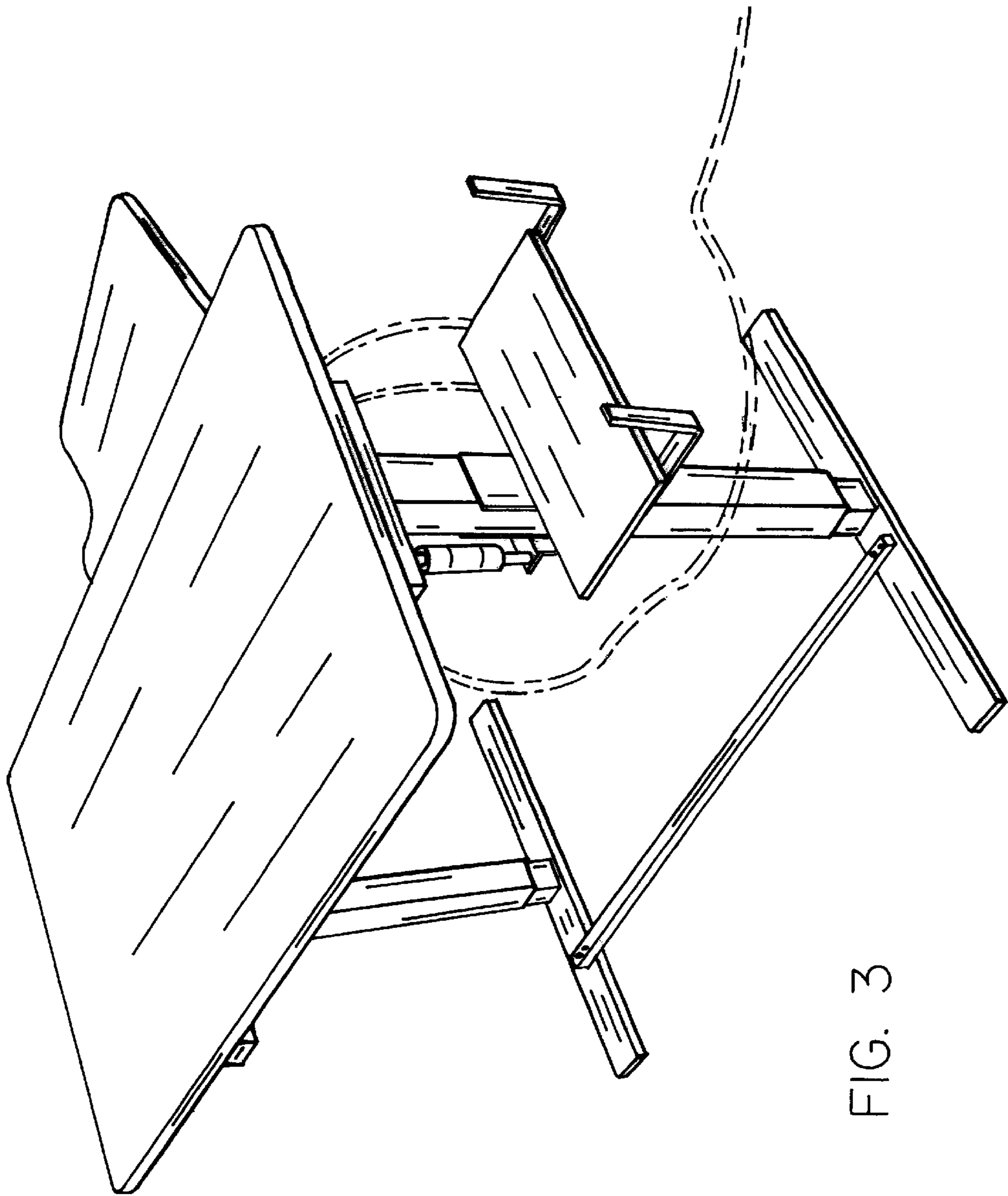


FIG. 3

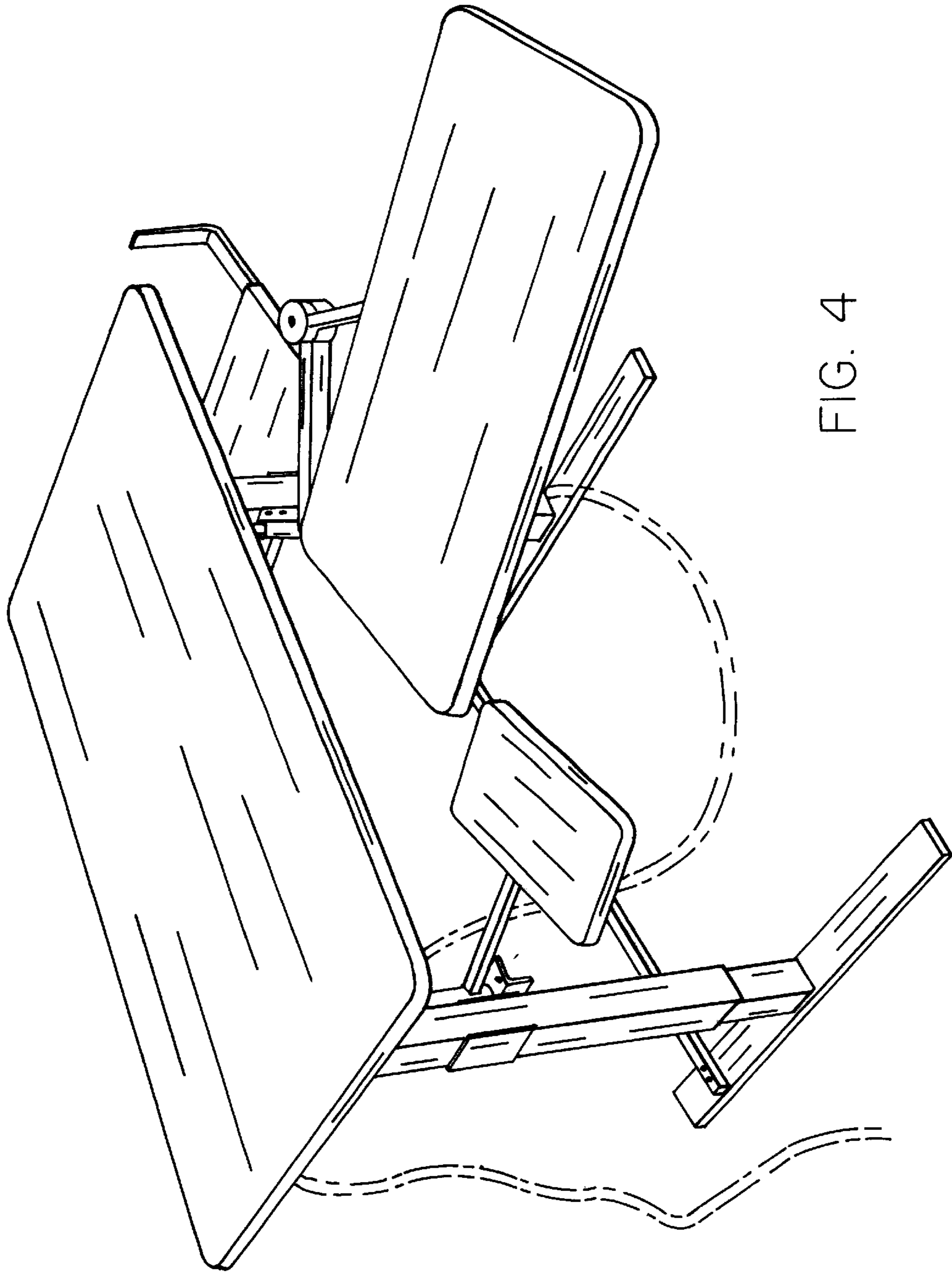


FIG. 4

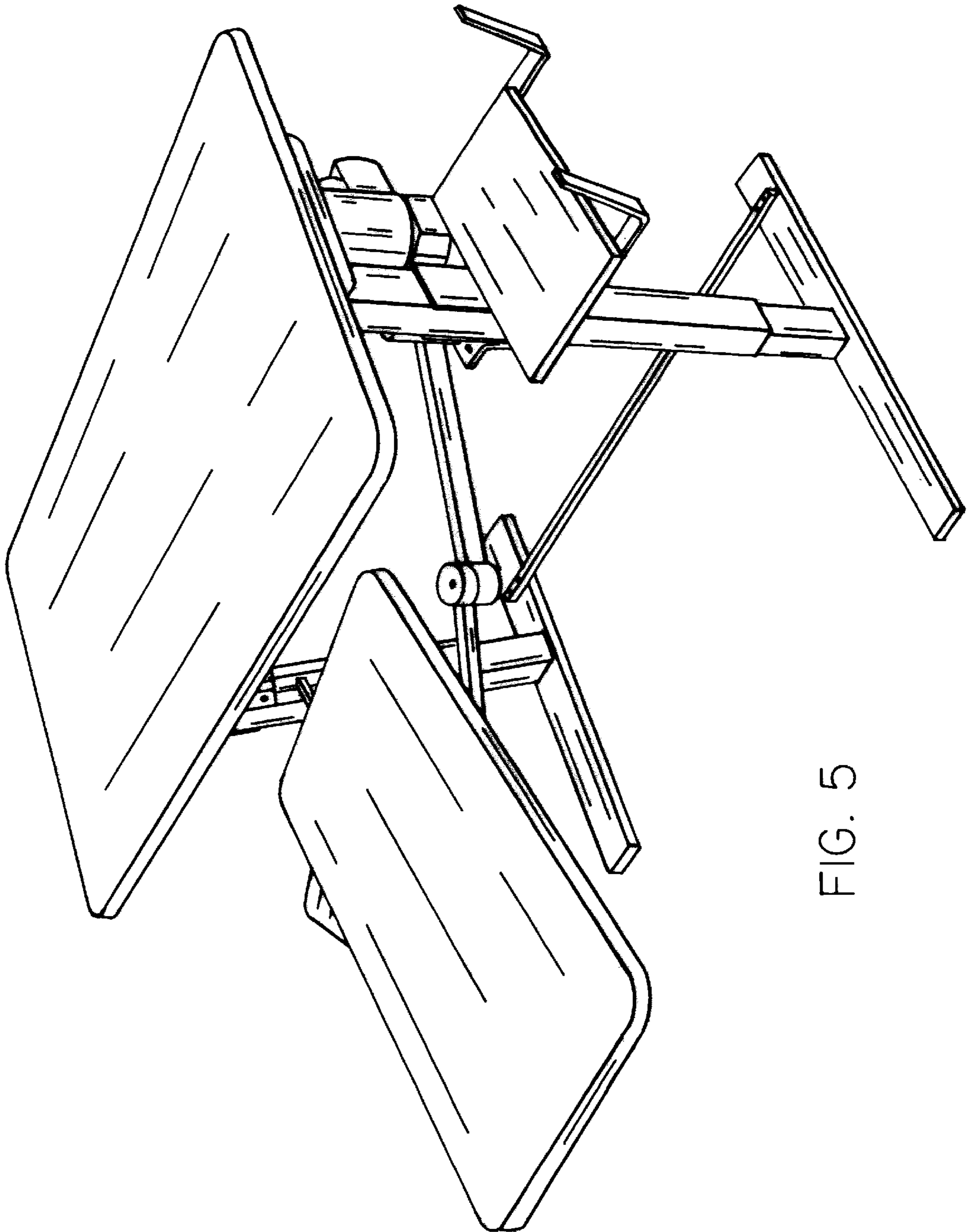


FIG. 5

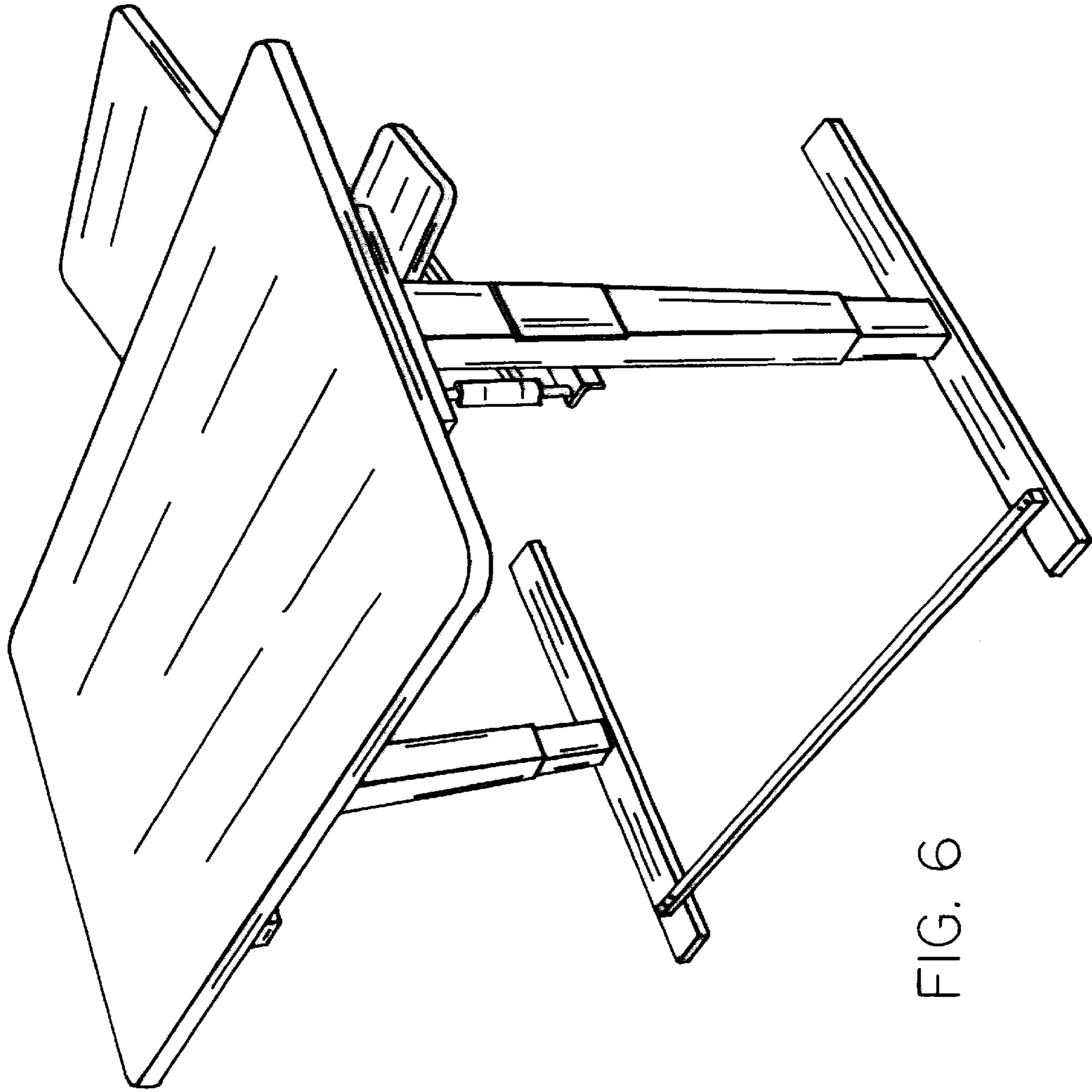


FIG. 6