



US00D446038S

(12) **United States Design Patent**
Whistance-Smith

(10) **Patent No.:** **US D446,038 S**

(45) **Date of Patent:** **** Aug. 7, 2001**

(54) **SOFA**

(76) **Inventor:** **Wallace J. Whistance-Smith, 50**
Planchet Road, Concord, Ontario (CA),
L4K-2C7

(**) **Term:** **14 Years**

(21) **Appl. No.:** **29/122,814**

(22) **Filed:** **May 4, 2000**

(51) **LOC (7) Cl.** **06-01**

(52) **U.S. Cl.** **D6/381**

(58) **Field of Search** D6/334, 335, 336,
D6/364, 371, 381, 500, 501, 502; 5/12.1;
297/232

(56) **References Cited**

U.S. PATENT DOCUMENTS

D. 80,600	*	3/1930	Bernhand	D6/381
D. 115,429	*	6/1939	Stoll	D6/381
D. 183,605	*	9/1958	Glass	D6/381

D. 184,993	*	4/1959	Foulkes	D6/381
D. 204,755	*	5/1966	Wilson	D6/381
D. 293,630	*	1/1988	Stewart	D6/381 X
D. 382,129	*	8/1997	Lewis	D6/381
D. 407,229	*	3/1999	Riboldi	D6/381
D. 427,448	*	7/2000	Natuzi et al.	D6/381
D. 429,081	*	8/2000	Gomez	D6/381

* cited by examiner

Primary Examiner—Gary D. Watson

(57) **CLAIM**

The ornamental design for a sofa, as shown and described.

DESCRIPTION

FIG. 1 is a front elevational view;
FIG. 2 is a right side elevational view thereof;
FIG. 3 is a left side elevational view thereof;
FIG. 4 is a top plan view thereof;
FIG. 5 is a rear elevational view thereof; and,
FIG. 6 is a bottom plan view thereof.

1 Claim, 4 Drawing Sheets

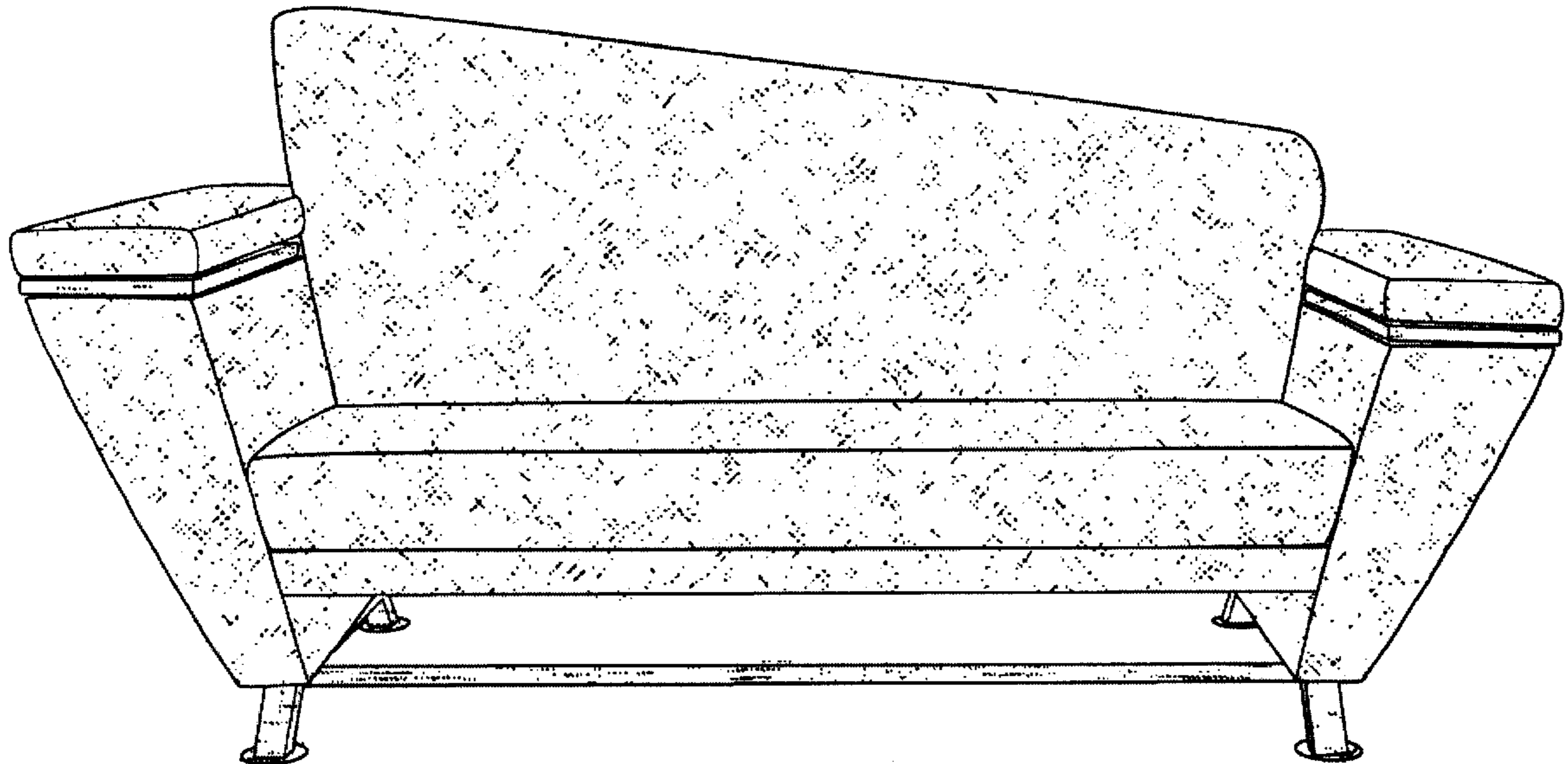


Fig. 1

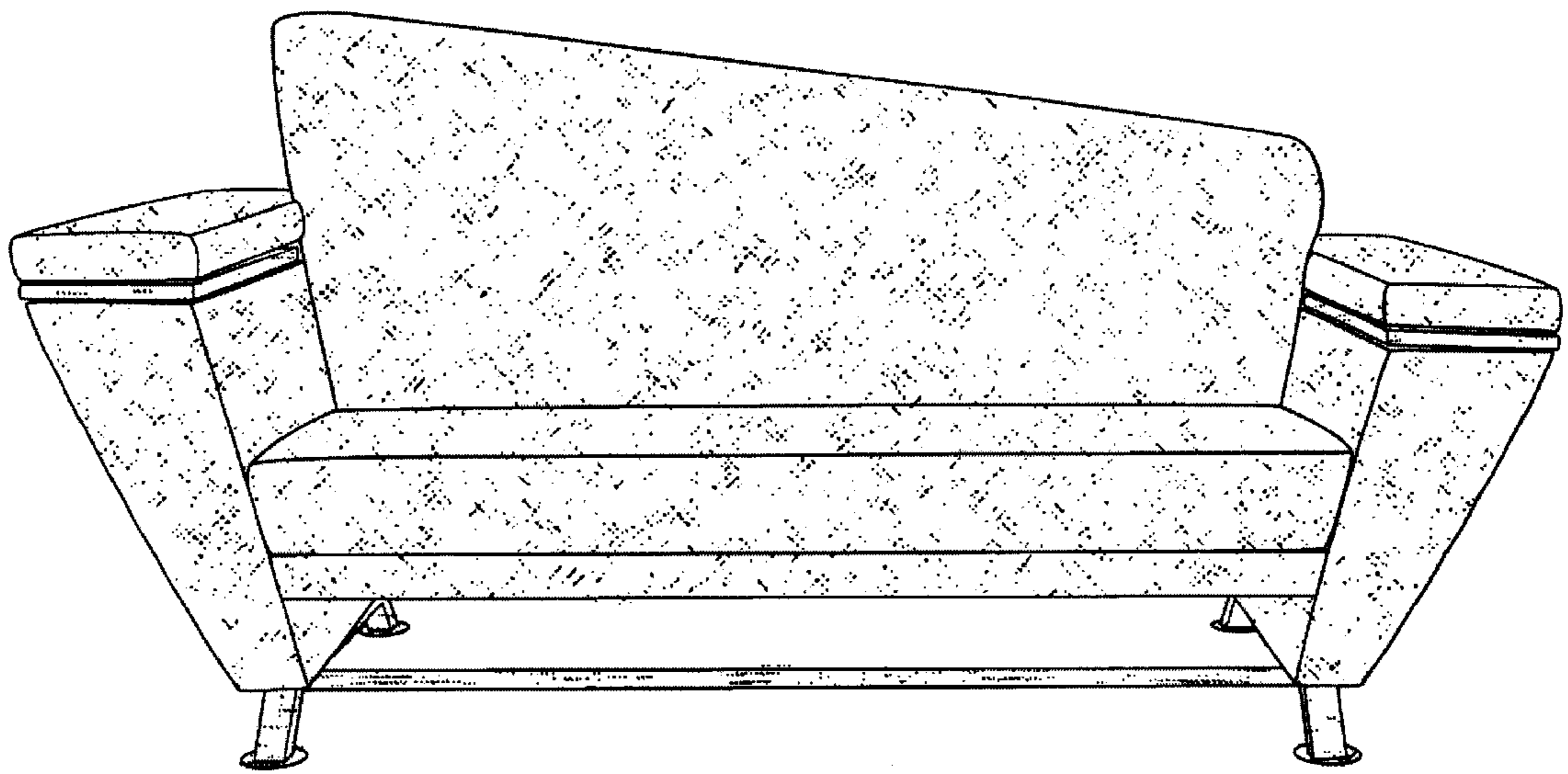


Fig. 2

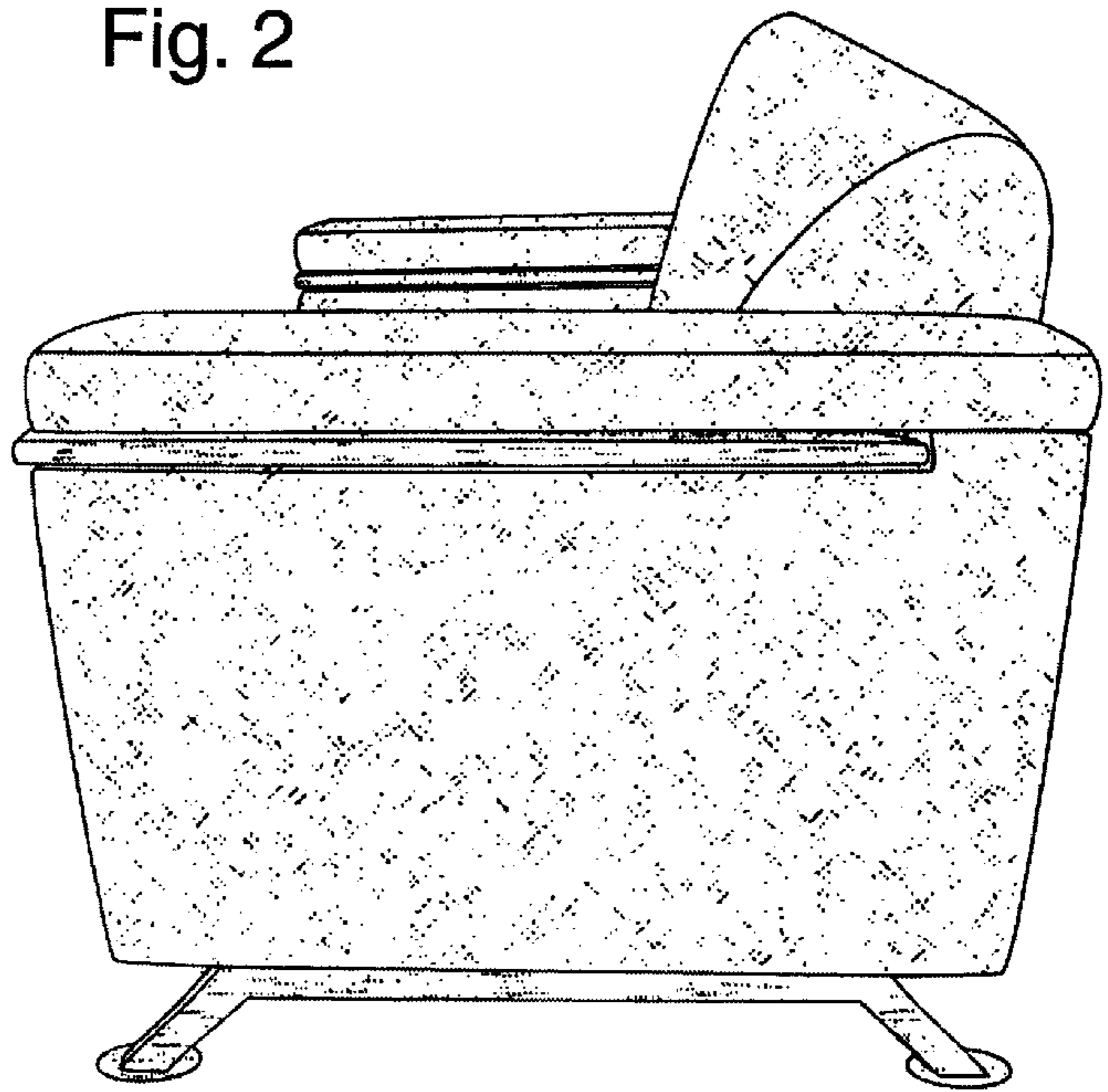


Fig. 3

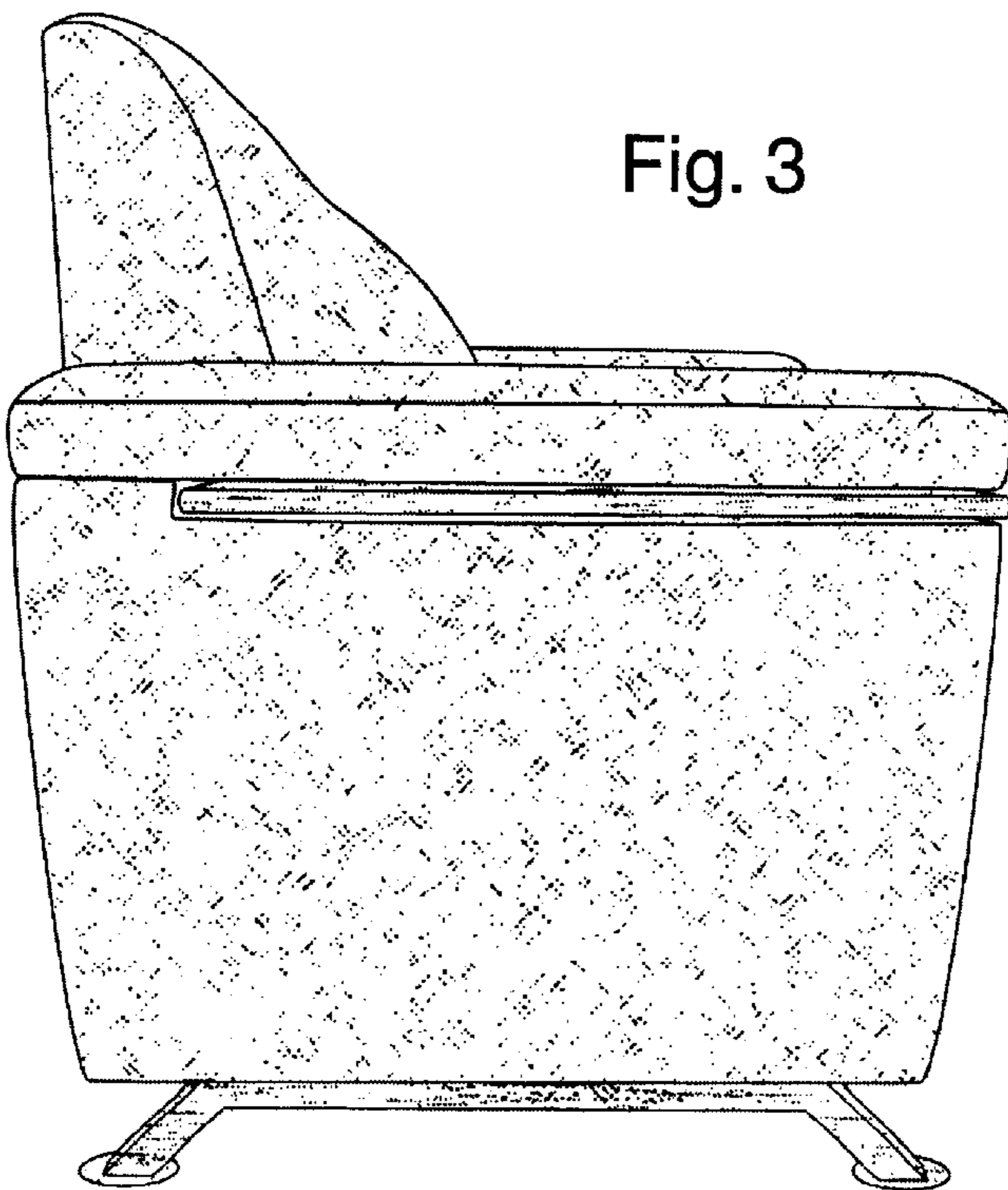


Fig. 4

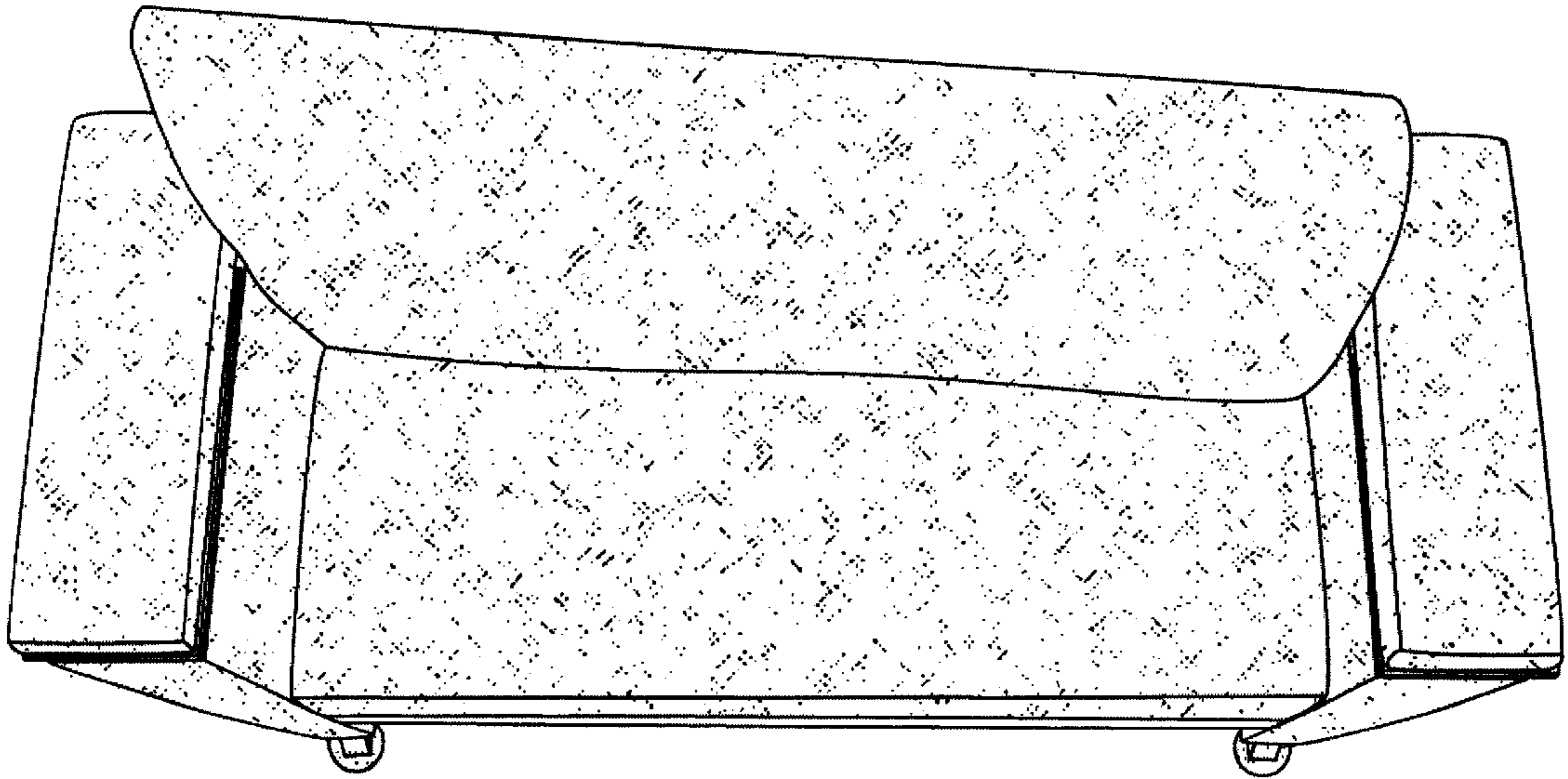


Fig. 5

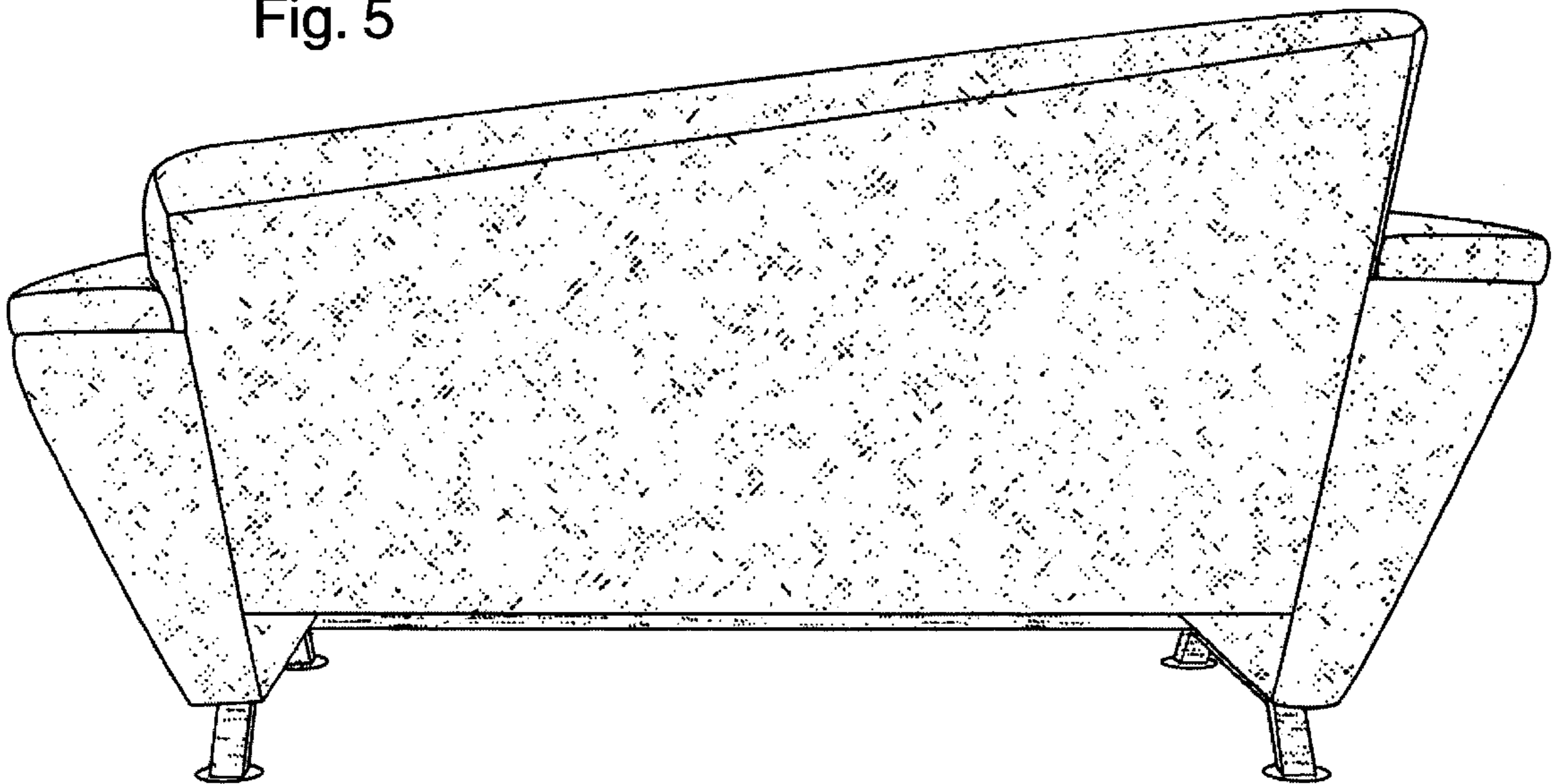


Fig. 6

