



US00D446029S

(12) **United States Design Patent**
Hutton

(10) **Patent No.:** **US D446,029 S**

(45) **Date of Patent:** **** Aug. 7, 2001**

(54) **CHAIR**

(75) Inventor: **John Hutton**, West Islip, NY (US)

(73) Assignee: **Donghia Furniture/Textiles Ltd.**, New York, NY (US)

(*) Notice: This patent is subject to a terminal disclaimer.

(**) Term: **14 Years**

(21) Appl. No.: **29/114,675**

(22) Filed: **Nov. 29, 1999**

(51) **LOC (7) Cl.** **06-01**

(52) **U.S. Cl.** **D6/334**

(58) **Field of Search** D6/334, 335, 336,
D6/364, 371, 381, 500, 501, 502; 5/12.1;
297/232, 445.1

(56) **References Cited**

U.S. PATENT DOCUMENTS

- D. 106,114 * 9/1937 Hines et al. D6/381
- D. 227,210 * 6/1973 Winrow D6/334
- D. 318,576 * 7/1991 Fister, Jr. D6/334
- D. 367,364 * 2/1996 Lewis D6/334
- D. 384,215 * 9/1997 Chandler D6/381

- D. 404,212 * 1/1999 Hutton D6/381
- D. 405,966 * 2/1999 Hutton D6/334
- D. 407,231 * 3/1999 Hutton D6/381
- D. 409,851 * 5/1999 Hutton D6/334 X
- D. 418,986 * 1/2000 Natuzzi et al. D6/334
- D. 422,159 * 4/2000 Lewis D6/381

OTHER PUBLICATIONS

Schöner Wohnen (insert), p. 7, sofa shown, Oct. 1996.*

* cited by examiner

Primary Examiner—Gary D. Watson

(74) *Attorney, Agent, or Firm*—Heslin & Rothenberg, P.C.

(57) **CLAIM**

The ornamental design for a chair, as shown and described.

DESCRIPTION

FIG. 1 is a front elevational view of the chair comprising my new design;

FIG. 2 is a right side elevational view thereof, the opposite side elevational view being a mirror image thereof;

FIG. 3 is a top plan view thereof; and,

FIG. 4 is a rear elevational view thereof.

The broken lines shown in the drawings are for illustrative purposes and form no part of the claimed design.

1 Claim, 1 Drawing Sheet

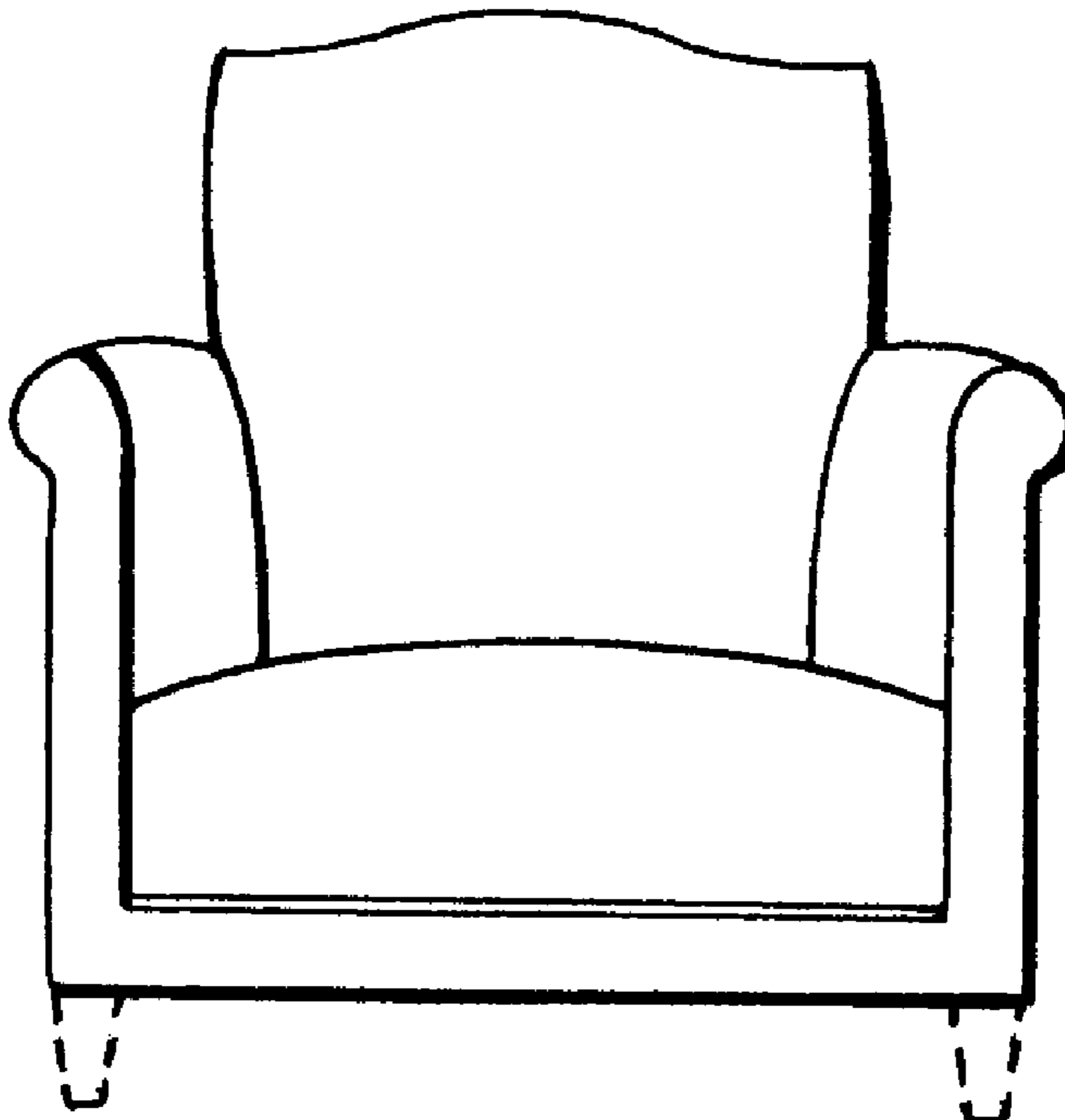


FIG. 3

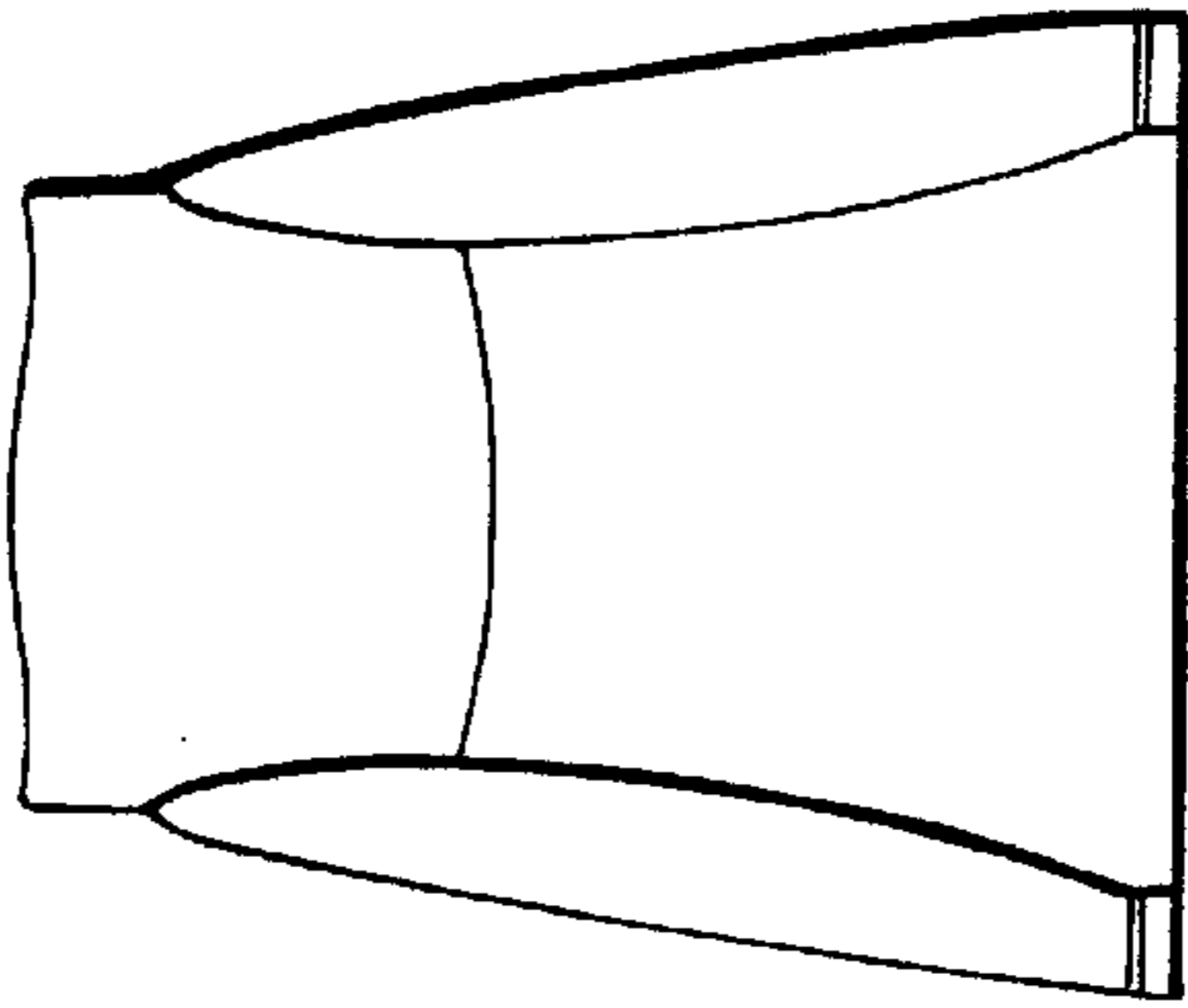


FIG. 4

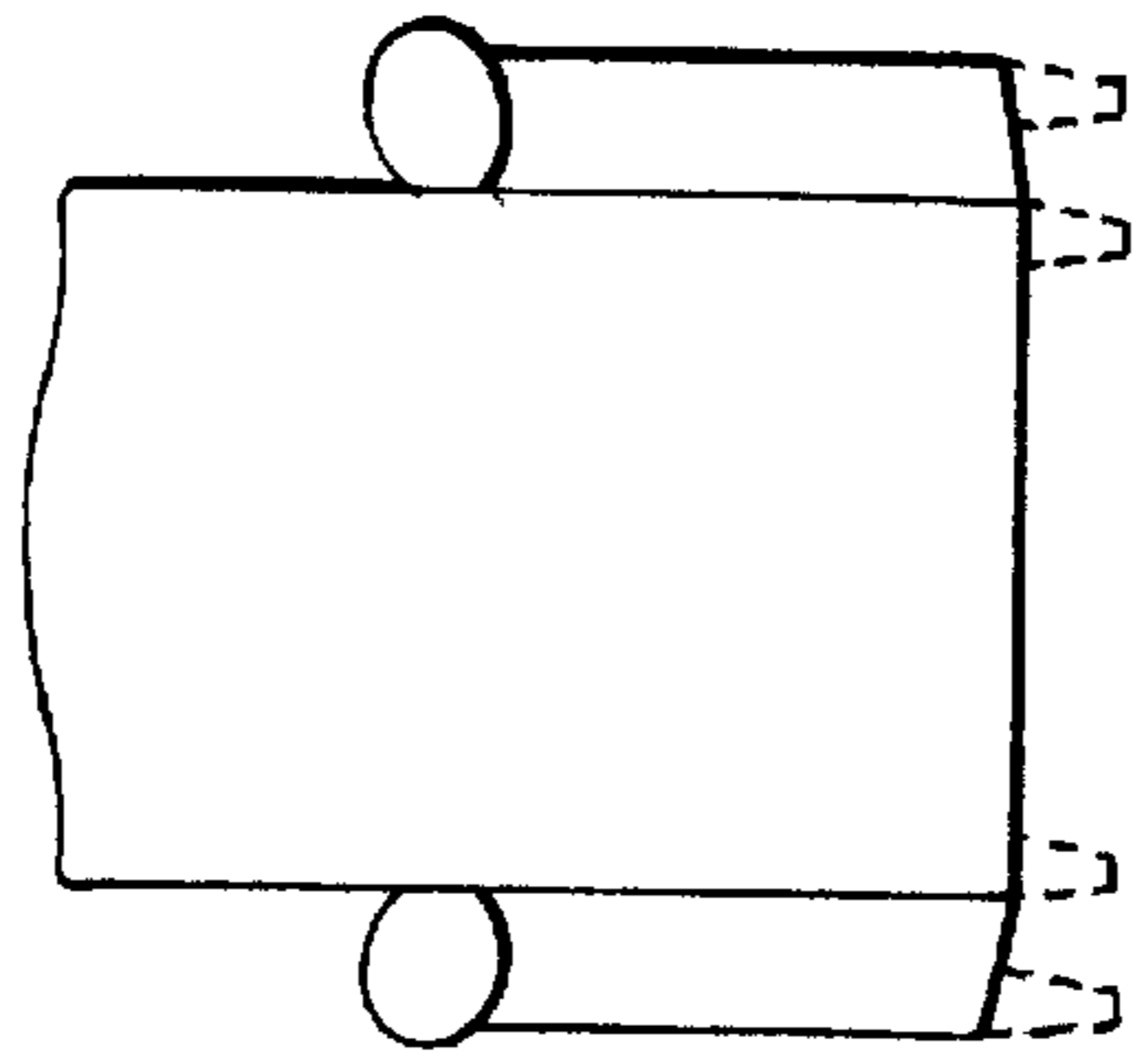


FIG. 1

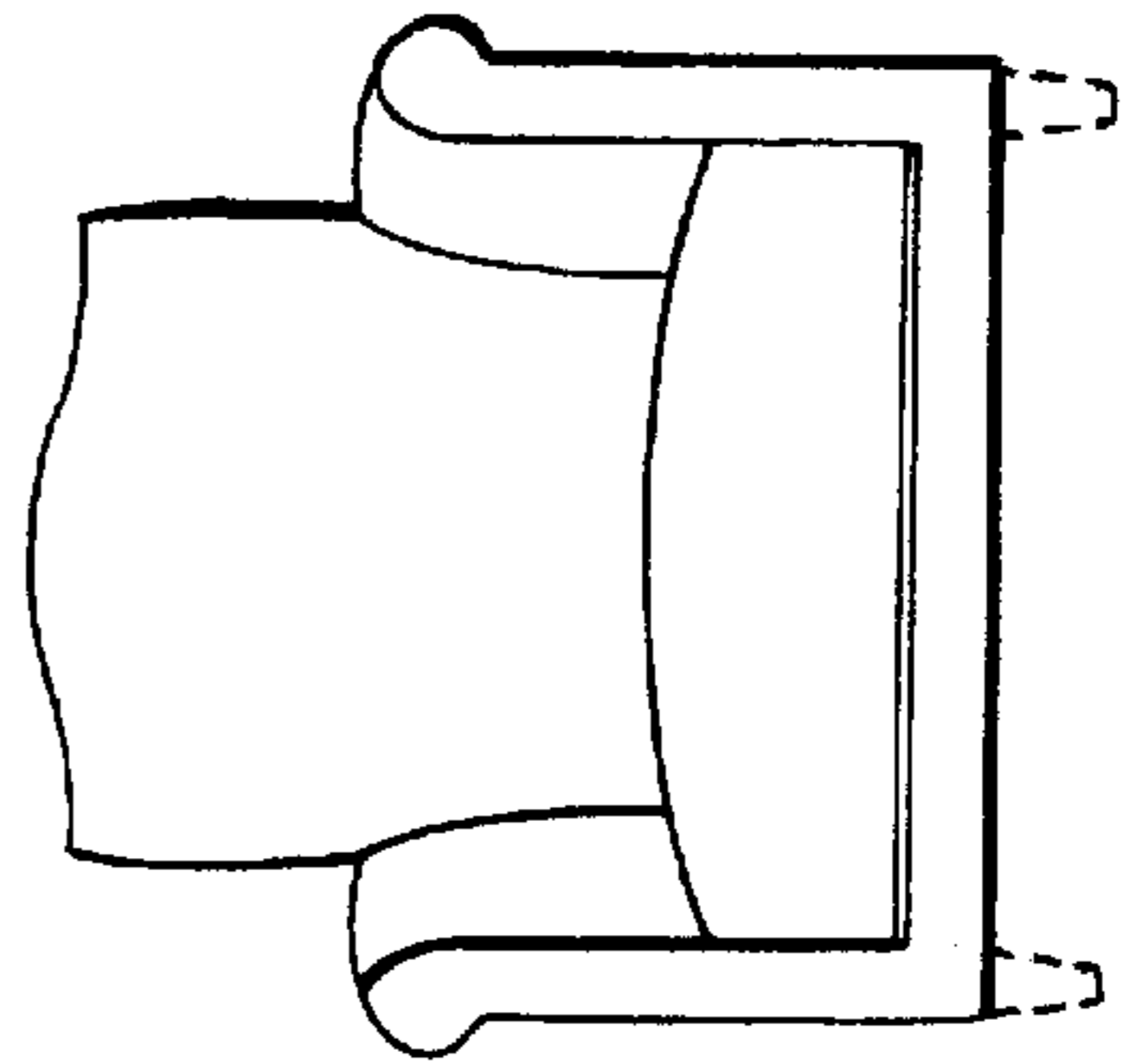


FIG. 2

