



US00D446028S

(12) **United States Design Patent**
Ruedinger et al.

(10) **Patent No.:** **US D446,028 S**

(45) **Date of Patent:** **** Aug. 7, 2001**

(54) **COLUMN-BASED WORKSPACE DEFINITION SYSTEM**

(75) Inventors: **Patricia D. Ruedinger**, Grand Haven;
Michael W. Eastman, West Olive, both
of MI (US)

(73) Assignee: **Trendway Corporation**, Holland, MI
(US)

(**) Term: **14 Years**

(21) Appl. No.: **29/106,123**

(22) Filed: **Jun. 8, 1999**

(51) **LOC (7) Cl.** **06-99**

(52) **U.S. Cl.** **D6/332**

(58) **Field of Search** D6/332; D25/38,
D25/58; 52/238.1, 239, 311.1, 311.2; 160/351

(56) **References Cited**

U.S. PATENT DOCUMENTS

D. 178,937	*	10/1956	Stiffel	D25/58
D. 242,099	*	11/1976	Casey	D6/332
D. 242,100	*	11/1976	Casey	D6/332
D. 257,811		1/1981	Ball	.	
3,511,006	*	5/1970	Medow	52/238.1
4,606,394	*	8/1986	Bannister	160/351
4,771,583		9/1988	Ball et al.	.	
4,831,791		5/1989	Ball	.	
5,150,554	*	9/1992	Quinlan, Jr. et al.	52/282.2
5,794,392		8/1998	Forslund, III et al.	.	
5,809,708		9/1998	Greer et al.	.	

* cited by examiner

Primary Examiner—Nanda Bondade

(74) *Attorney, Agent, or Firm*—Rader, Fishman, Grauer & McGarry, an Office of Rader, Fishman & Grauer PLLC

(57) **CLAIM**

The ornamental design for a column-based workspace definition system, as shown and described.

DESCRIPTION

FIG. 1 is a perspective view of a first embodiment of an ornamental design for a column-based workspace definition system according to the invention;

FIG. 2 is a front elevational view thereof, the rear elevational view thereof being identical thereto;

FIG. 3 is a top plan view thereof;

FIG. 4 is a bottom plan view thereof;

FIG. 5 is a right side elevational view thereof, the left side elevational view thereof being identical thereto;

FIG. 6 is a profile of a cross-sectional view taken along lines 6—6 of FIG. 2;

FIG. 7 is a profile of a cross-sectional view taken along lines 7—7 of FIG. 2;

FIG. 8 is a perspective view thereof;

FIG. 9 is a perspective view of a second embodiment of an ornamental design for a column-based workspace definition system of FIG. 1;

FIG. 10 is a front elevational view thereof, the rear elevational view thereof being identical to;

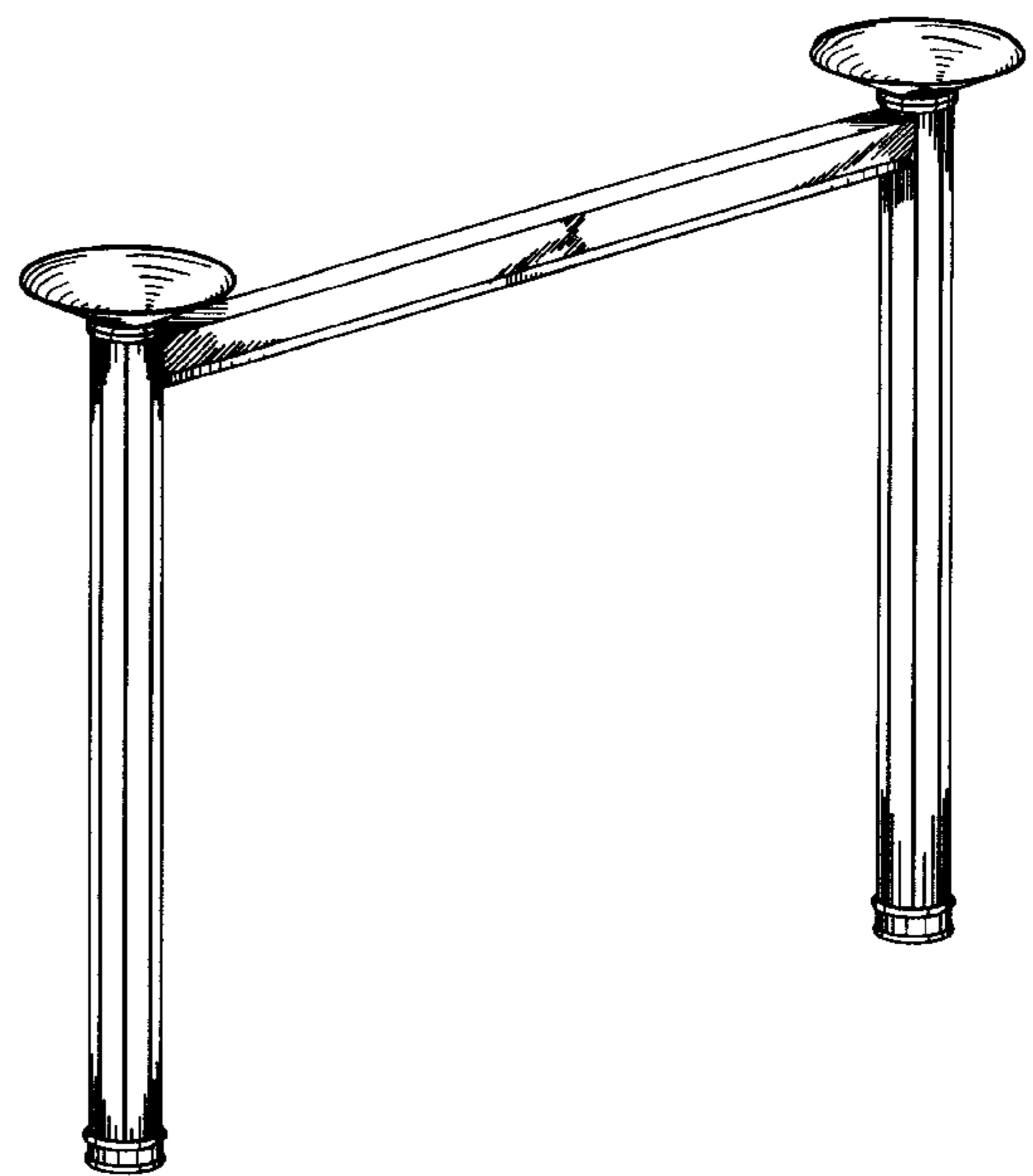
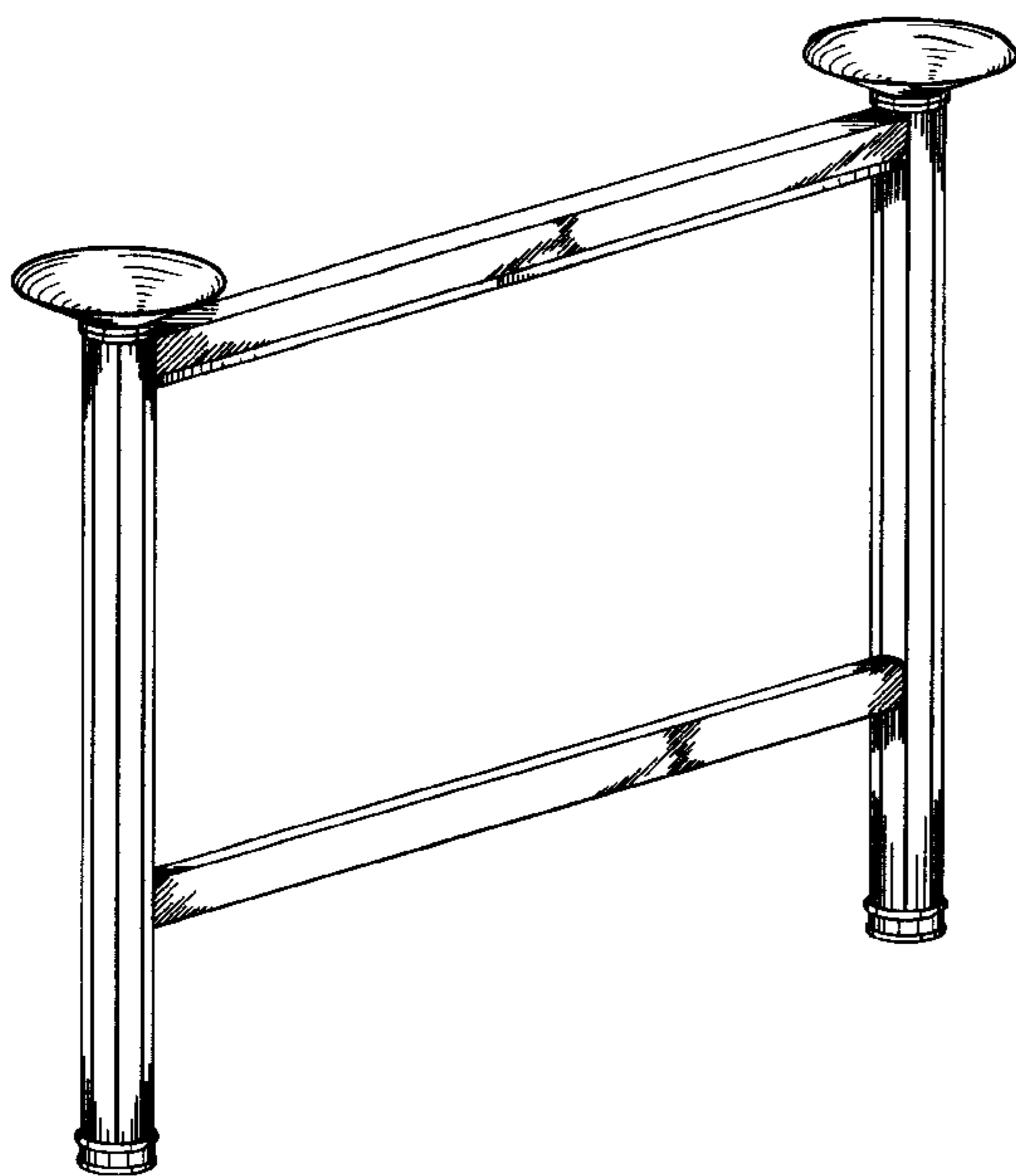
FIG. 11 is a bottom plan view thereof, the top plan view thereof being identical to FIG. 3, the right and left side elevational views thereof being identical to FIG. 5; and,

FIG. 12 is a perspective view thereof.

FIGS. 5—7 are on an enlarged scale, and FIGS. 8 and 12 are on a reduced scale.

The broken line showing on FIGS. 8 and 12 is for illustrative purposes only and forms no part of the claimed design.

1 Claim, 8 Drawing Sheets



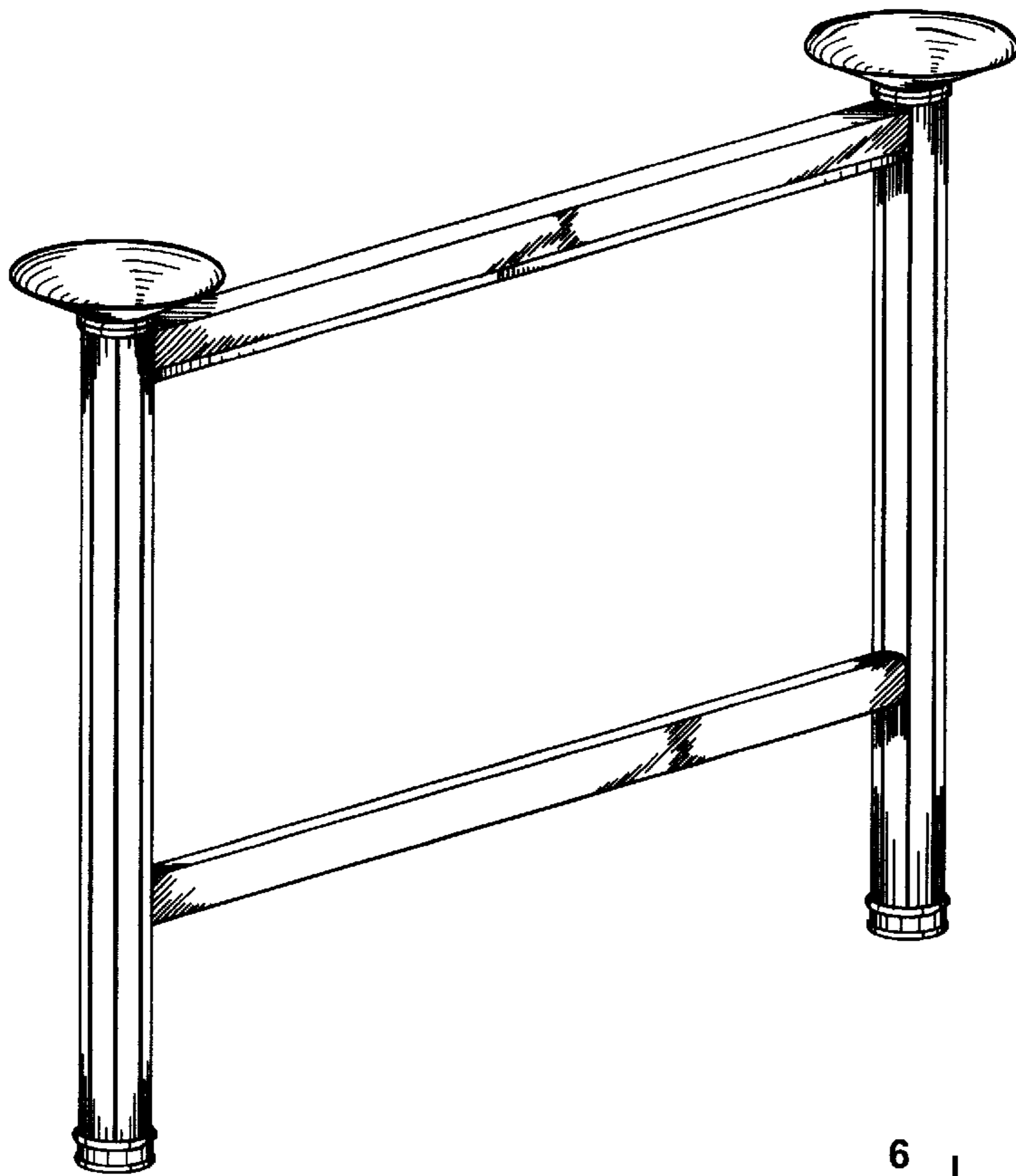


Fig. 1

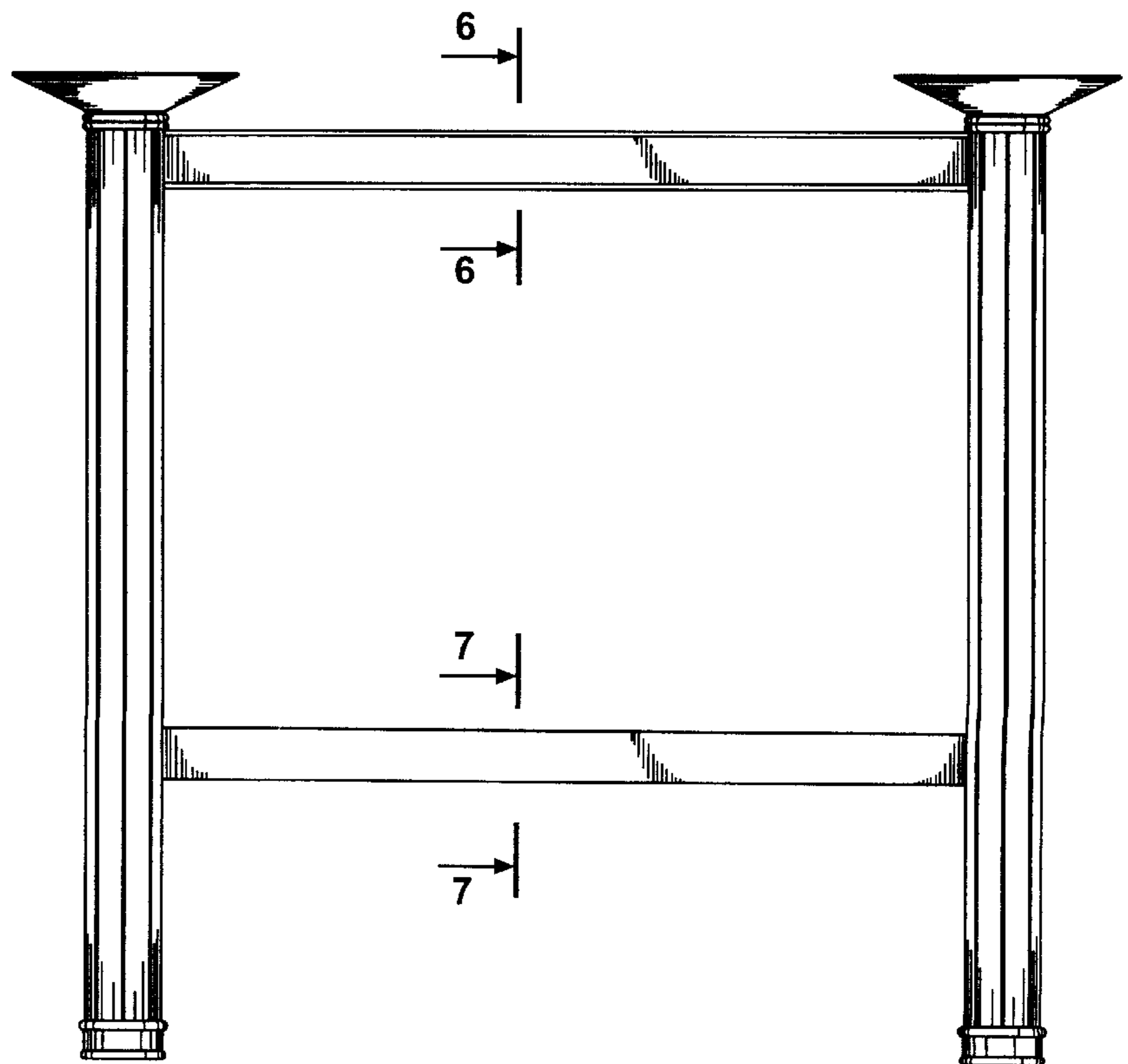


Fig. 2

Fig. 3

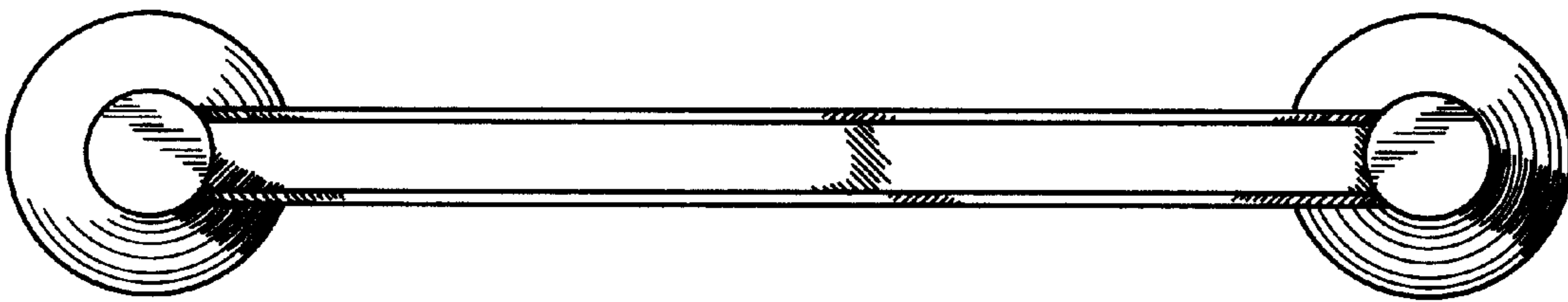
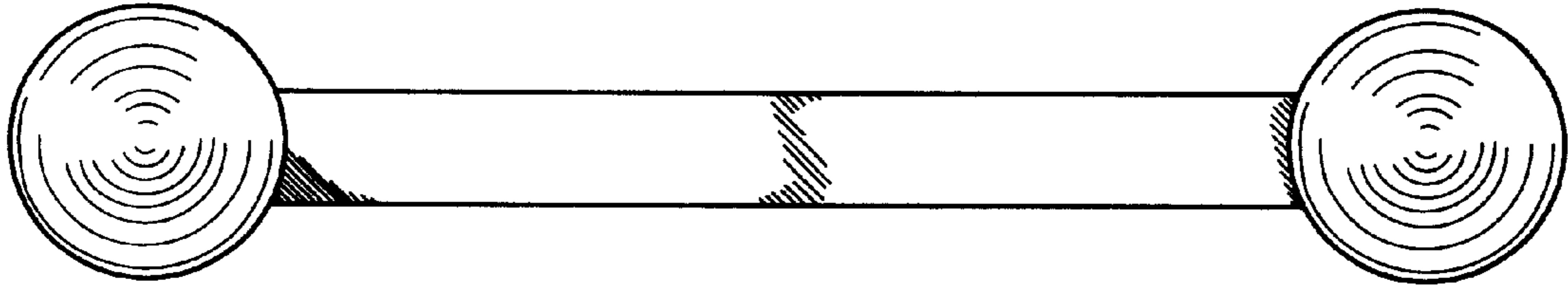
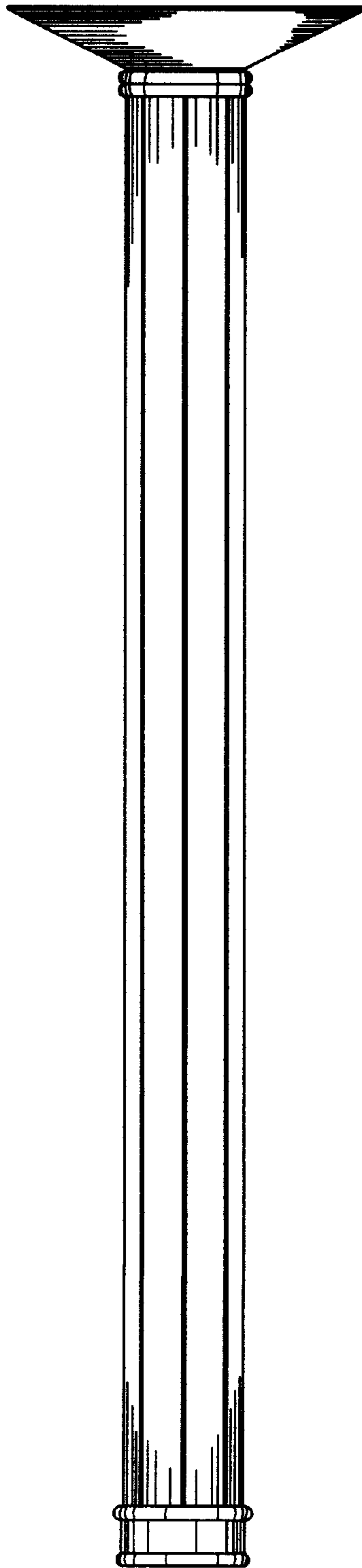


Fig. 4

Fig. 5



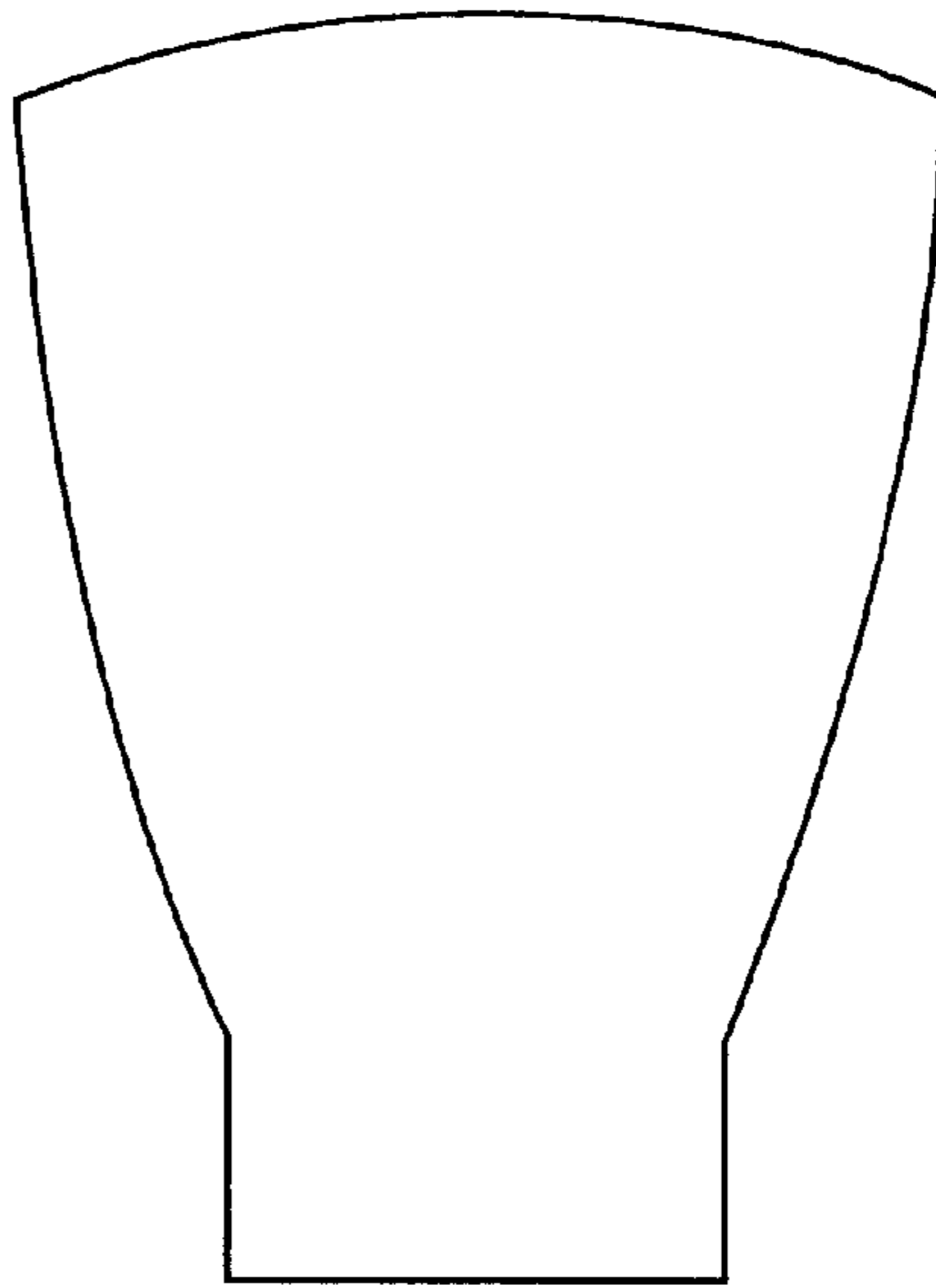


Fig. 6

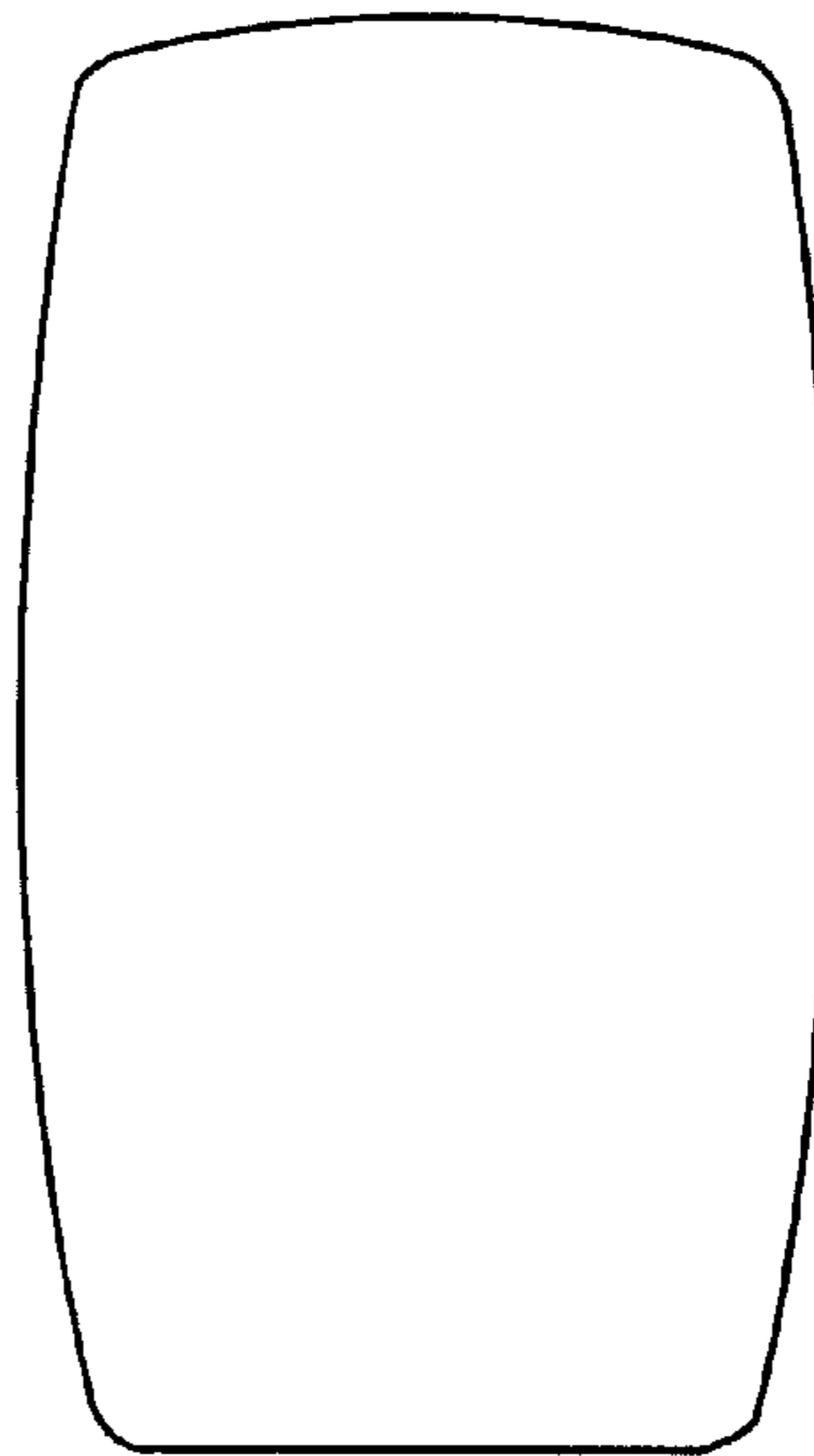


Fig. 7

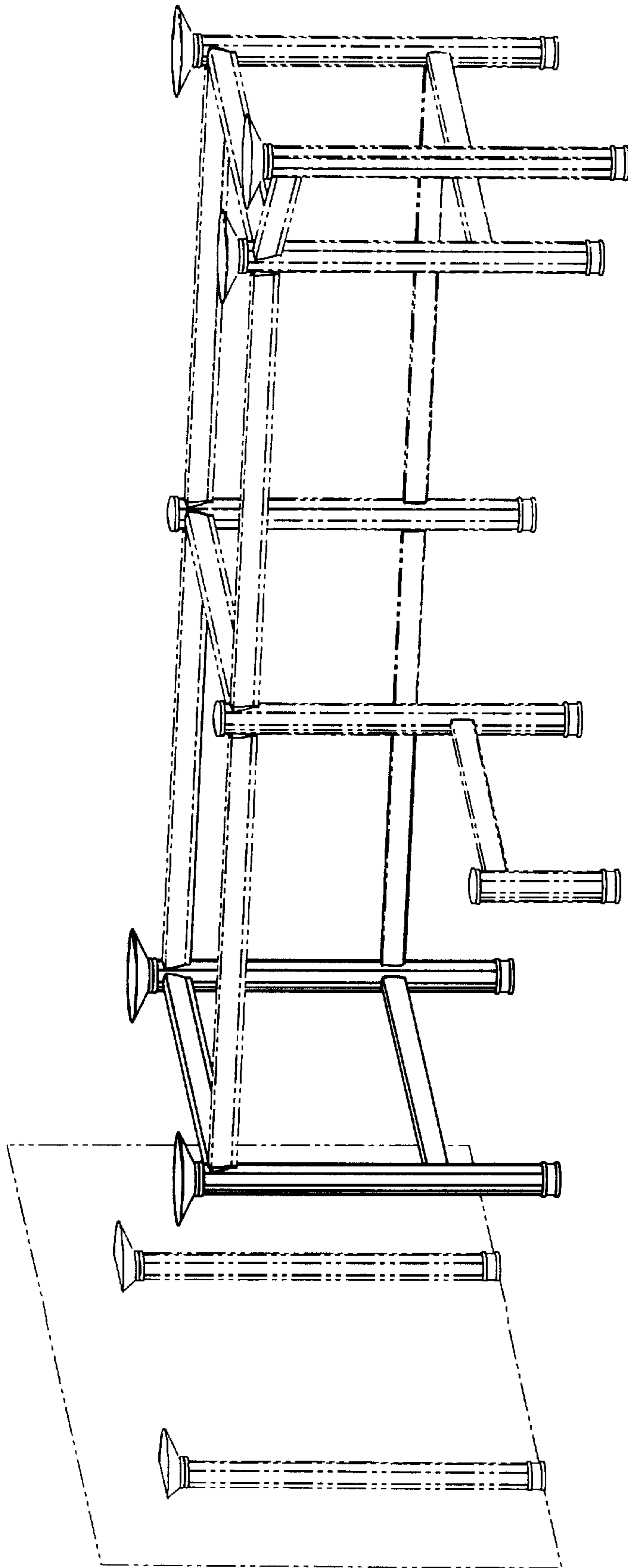


Fig. 8

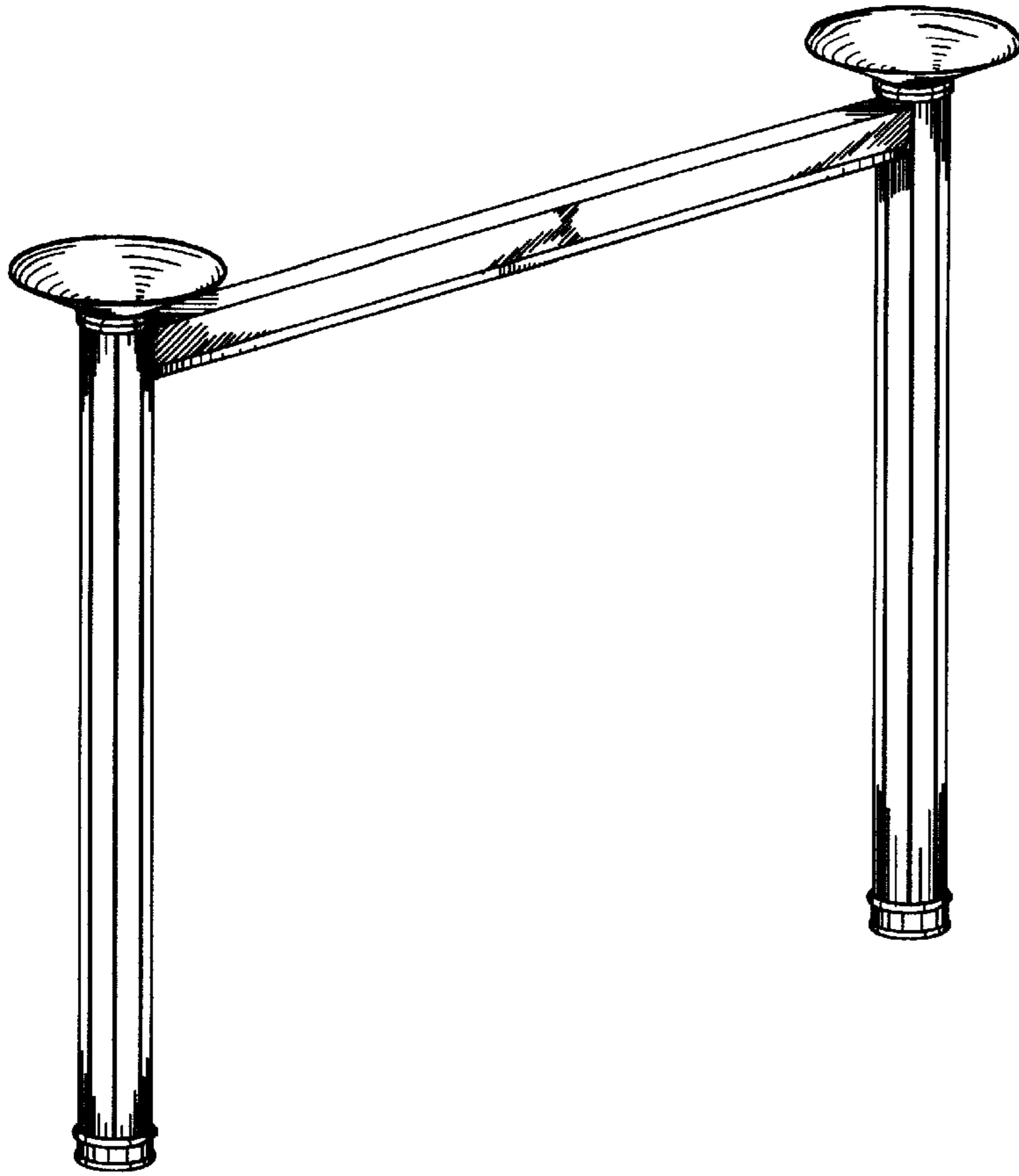


Fig. 9

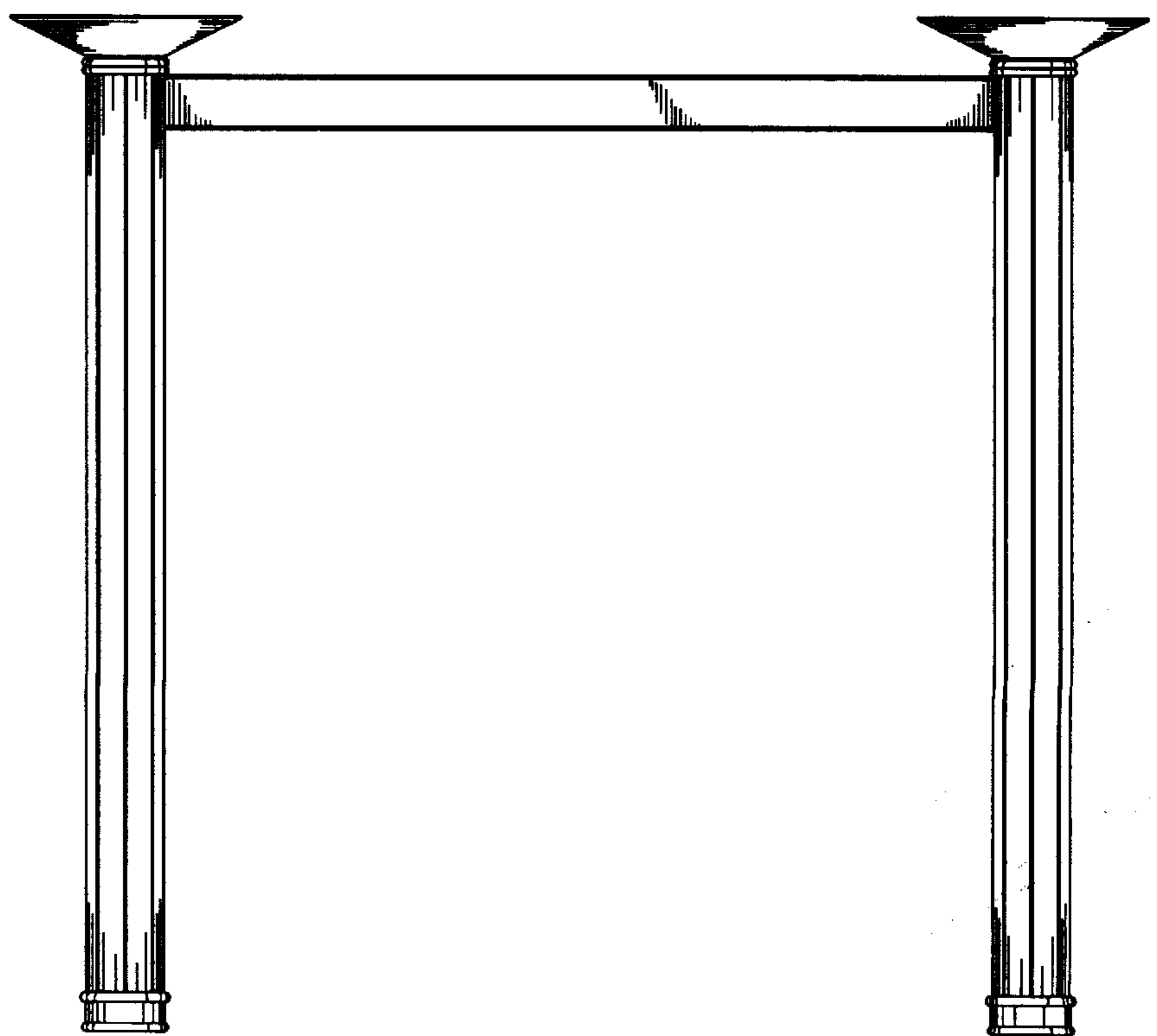
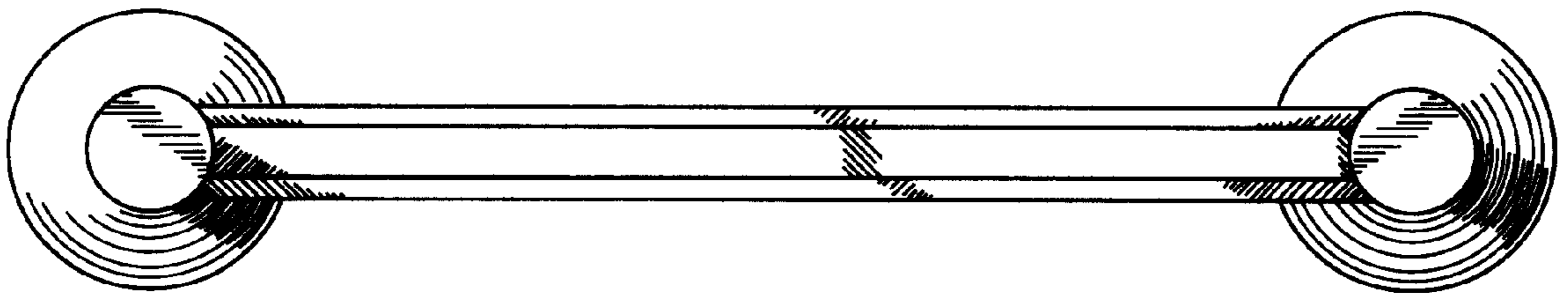


Fig. 10

Fig. 11



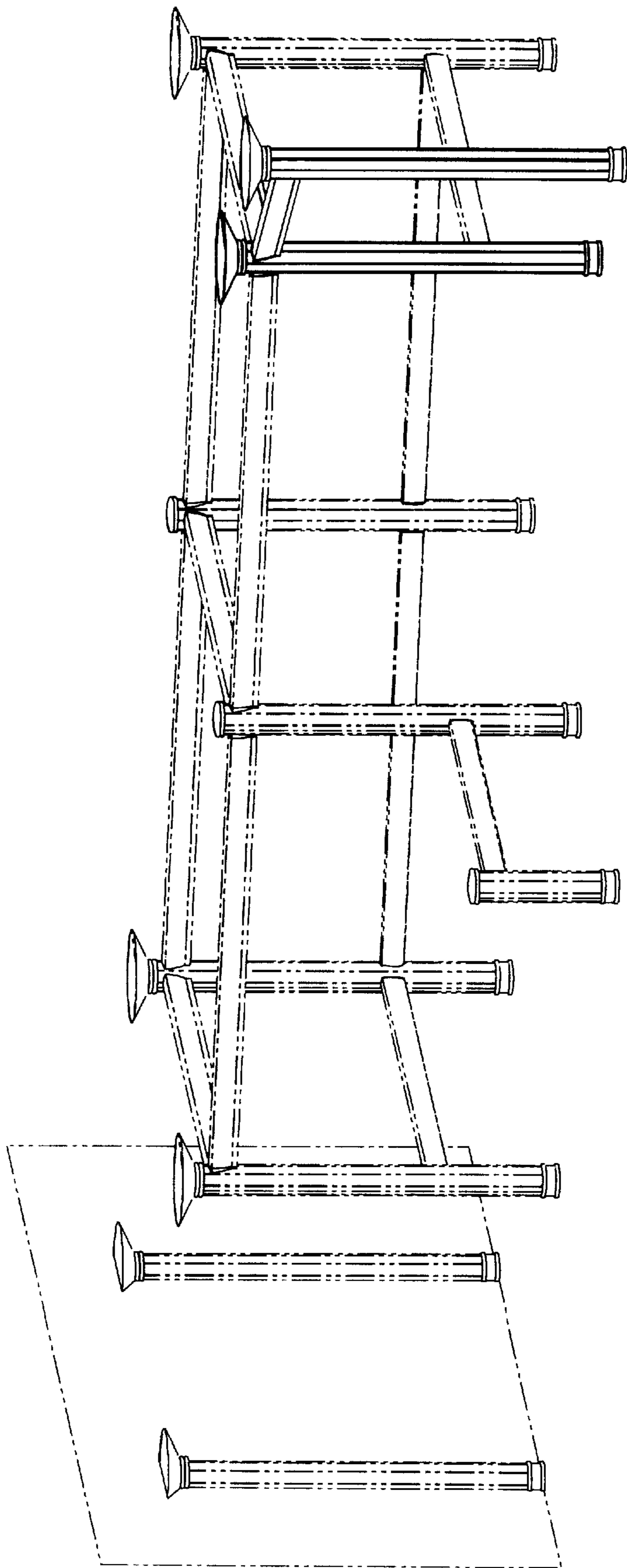


Fig. 12