



US00D446018S

(12) **United States Design Patent**
Streich et al.

(10) **Patent No.:** **US D446,018 S**

(45) **Date of Patent:** **** Aug. 7, 2001**

(54) **TOOL RECEIVING INSERT**

(75) Inventors: **John P. Streich**, Appleton, WI (US);
Patrick S. Keenan, Pittsburgh, PA
(US); **Gregory S. Snider**, Bel Air, MD
(US); **James Pangerc**; **Matthew J.
Holland**, both of Baltimore, MD (US)

(73) Assignee: **Black & Decker Inc.**, Newark, DE
(US)

(**) Term: **14 Years**

(21) Appl. No.: **29/109,163**

(22) Filed: **Aug. 11, 1999**

D. 345,650	4/1994	Boyd	D12/423
D. 347,114	5/1994	Tengvall	D3/281
D. 356,891	4/1995	Hobson	D3/294
D. 358,257	5/1995	Sidabras et al.	D3/282
D. 374,988	10/1996	Hillinger	D3/294
D. 379,715	6/1997	Yemini	D3/282
D. 382,115	8/1997	Chang	D3/282
D. 382,709	8/1997	Cuneo	D3/282
D. 385,109	10/1997	Stäheli	D3/281
D. 391,321	2/1998	Hill	.	
D. 392,463	* 3/1998	Grey	D3/319
D. 394,952	6/1998	Wei	D3/273
D. 395,166	* 6/1998	Grey	D3/319
D. 400,709	11/1998	Chang	D3/294
470,567	3/1892	Hitch	.	
498,455	5/1893	Bartlett	.	

(List continued on next page.)

Related U.S. Application Data

(63) Continuation-in-part of application No. 29/092,267, filed on
Aug. 14, 1998.

(51) **LOC (7) Cl.** **03-01**

(52) **U.S. Cl.** **D3/319**

(58) **Field of Search** D3/273, 276, 283,
D3/284, 315, 318, 319, 905; 206/349, 372,
373, 379, 374, 375; 422/104, 300

(56) **References Cited**

U.S. PATENT DOCUMENTS

D. 167,868	9/1952	Selikoff et al.	.	
D. 178,627	9/1956	Baratelli	.	
D. 183,777	10/1958	Weiss	.	
D. 221,317	7/1971	Muller	.	
D. 229,366	11/1973	Yonce	.	
D. 264,396	5/1982	Harvey et al.	D3/905
D. 269,648	7/1983	Wilcox et al.	.	
D. 287,906	1/1987	Tsuji et al.	.	
D. 291,946	9/1987	Dottori et al.	D3/282
D. 311,644	10/1990	Chapin et al.	.	
D. 314,669	2/1991	Kunimune	D3/282
D. 328,189	7/1992	Hillinger	D3/282
D. 329,331	9/1992	Hobson	.	
337,888	3/1886	Swan	.	
D. 343,063	1/1994	Chen	D3/905
D. 343,120	1/1994	Lapsker et al.	D9/423

FOREIGN PATENT DOCUMENTS

1085810 7/1960 (DE) .

OTHER PUBLICATIONS

Jensen Tools Catalog, pp. 209, 210, and 217, 1993.*

Primary Examiner—Philip S. Hyder

(74) *Attorney, Agent, or Firm*—Harness, Dickey & Pierce,
P.L.C.

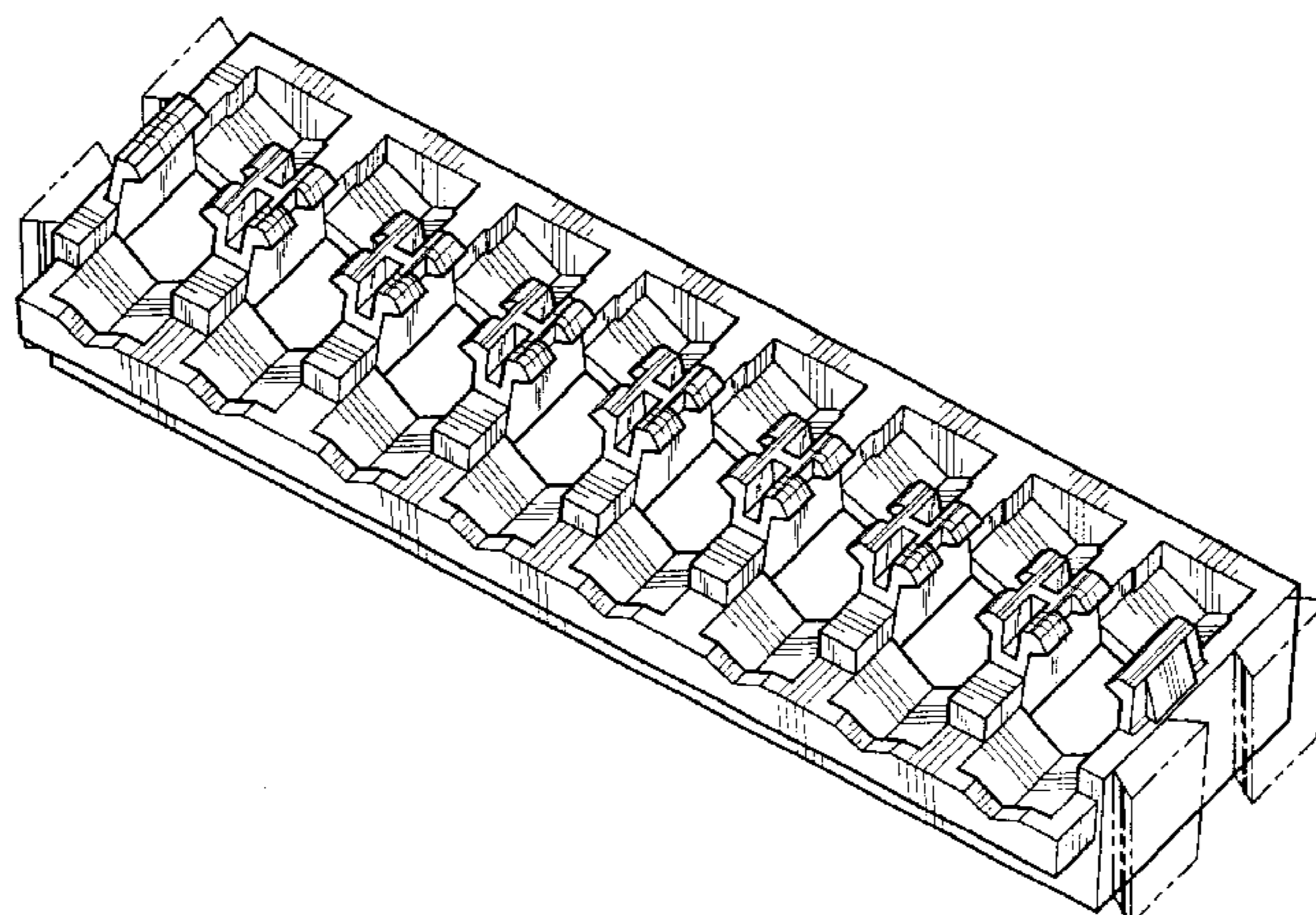
(57) **CLAIM**

The ornamental design for a tool receiving insert, substan-
tially as shown and described.

DESCRIPTION

FIG. 1 is a perspective view of a tool receiving insert in
accordance with the present invention;
FIG. 2 is a top view of the tool receiving insert of FIG. 1;
FIG. 3 is a bottom view of FIG. 1;
FIG. 4 is a front view of FIG. 1;
FIG. 5 is a rear view of FIG. 1;
FIG. 6 is a right side view of FIG. 1; and,
FIG. 7 is a left side view of FIG. 1.

1 Claim, 3 Drawing Sheets



US D446,018 S

Page 2

U.S. PATENT DOCUMENTS

1,927,110	9/1933	Bannister et al. .	5,222,619	6/1993	Gregory	220/324
2,035,033	3/1936	Wakefield .	5,248,030	9/1993	Tarozzi	206/379
2,487,174	11/1949	Petre .	5,248,033	9/1993	Kos et al.	206/334
2,508,951	5/1950	Kazimier .	5,320,223	6/1994	Allen	206/372
2,601,101	6/1952	Derham .	5,341,926	8/1994	Leben	206/307
2,792,934	5/1957	Rocchetti .	5,346,063	9/1994	Chow	206/376
2,844,244	7/1958	Hanson	5,346,677	9/1994	Risk .	
2,880,857	4/1959	Parsons et al. .	5,368,164	11/1994	Bennett et al.	206/373
3,018,876	1/1962	Huot .	5,398,810	3/1995	Yao Wang	206/373
3,154,192	10/1964	Cowley .	5,409,560	4/1995	Hammer et al.	206/379
3,186,197	6/1965	Gehrie .	5,429,235	7/1995	Chen	206/373
3,276,847	10/1966	Duff et al. .	5,433,929	7/1995	Riihimaki et al. .	
3,346,137	10/1967	Ricci .	5,469,961	11/1995	Chang	206/312
3,367,483	2/1968	Studen .	5,484,057	1/1996	Tzu-Ching	206/374
3,370,697	2/1968	Levey et al. .	5,509,731	4/1996	Callahan et al. .	
3,383,009	5/1968	Weikert	5,520,285	5/1996	Mursch et al.	206/526
3,426,890	2/1969	Bayer .	5,524,915	6/1996	Liu .	
3,499,525	3/1970	Kanter .	5,525,314	6/1996	Hurson	422/300
3,583,556	6/1971	Wagner .	5,526,929	6/1996	Wei	206/378
3,904,034	9/1975	Saunders .	5,535,881	7/1996	Krivec	206/376
4,048,051	9/1977	Gretz .	5,551,795	9/1996	Engibarov	403/381
4,216,862	8/1980	Daenen	5,553,710	9/1996	Takama	206/561
4,253,830	3/1981	Kazen et al.	5,560,572	10/1996	Osborn et al. .	
4,260,057	4/1981	Wall-Andersen	5,562,208	10/1996	Hasler et al.	206/373
4,340,140	7/1982	Wilcox et al.	5,570,784	11/1996	Sidabras et al.	206/378
4,489,830	12/1984	Charlebois et al.	5,588,240	12/1996	Zilliox .	
4,576,307	3/1986	Frydenberg	5,603,415	2/1997	Balniss, Jr. .	
4,615,464	10/1986	Byrns	5,624,037	4/1997	Kozo	206/565
4,619,364	10/1986	Czopor, Jr.	5,638,838	6/1997	Lombardi	132/294
4,714,158	12/1987	Oltman et al.	5,638,964	6/1997	Ernst	206/376
4,958,732	9/1990	Rau et al.	5,641,066	6/1997	Mascaro	206/372
4,974,740	12/1990	Niles et al.	5,649,657	7/1997	Chuang	224/430
5,031,768	7/1991	Fischer	5,651,941	7/1997	Stark et al.	422/104
5,056,661	10/1991	Balzano	5,676,254	10/1997	Cheng et al.	206/751
5,114,007	5/1992	Chen	5,730,511	3/1998	Doan et al. .	
5,133,455	7/1992	Chow	5,803,254	9/1998	Vasudeva	206/373
5,156,271	10/1992	Toner	5,826,719	10/1998	Chen	206/373
5,217,115	6/1993	Purkapile				

* cited by examiner

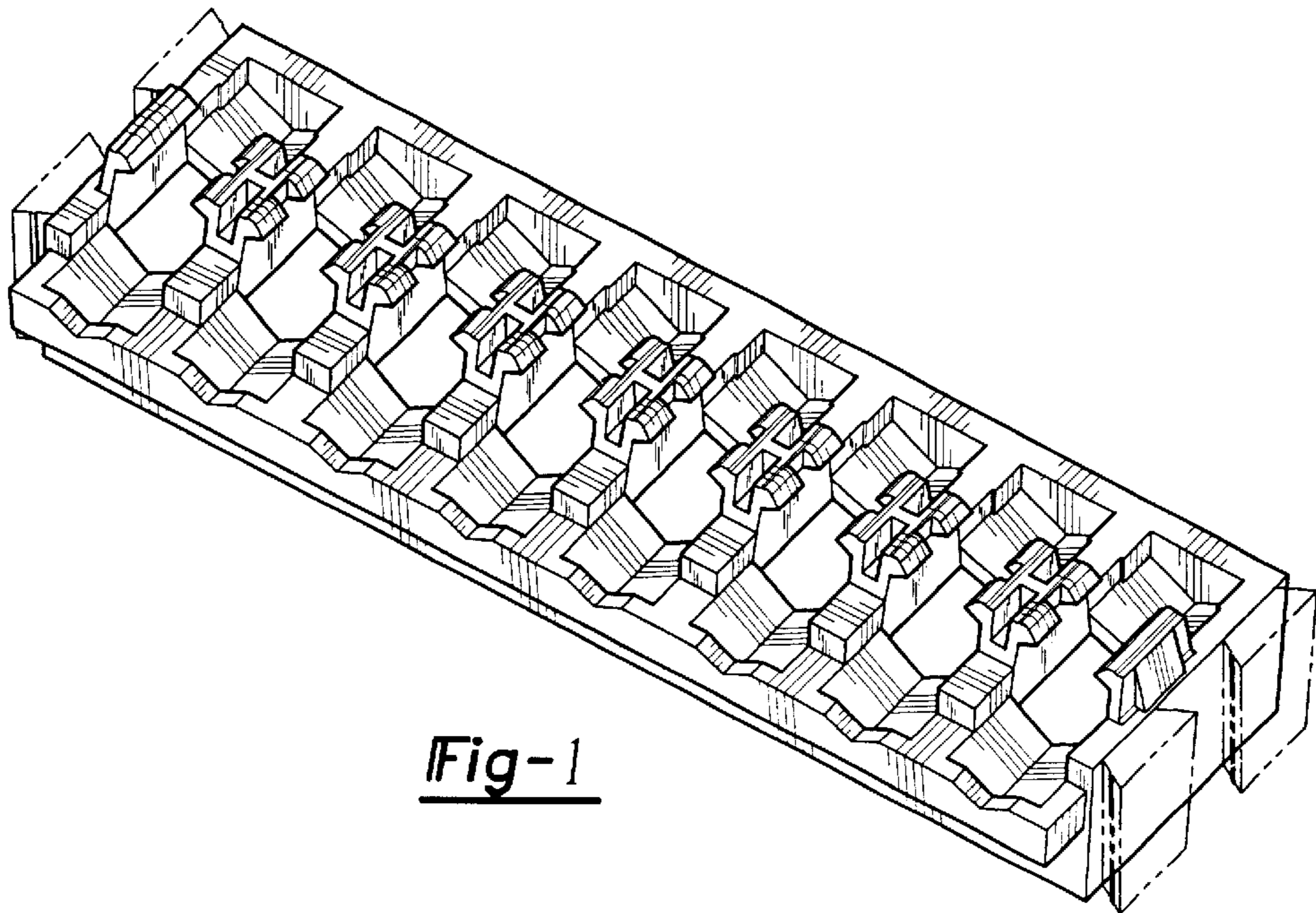


Fig-1

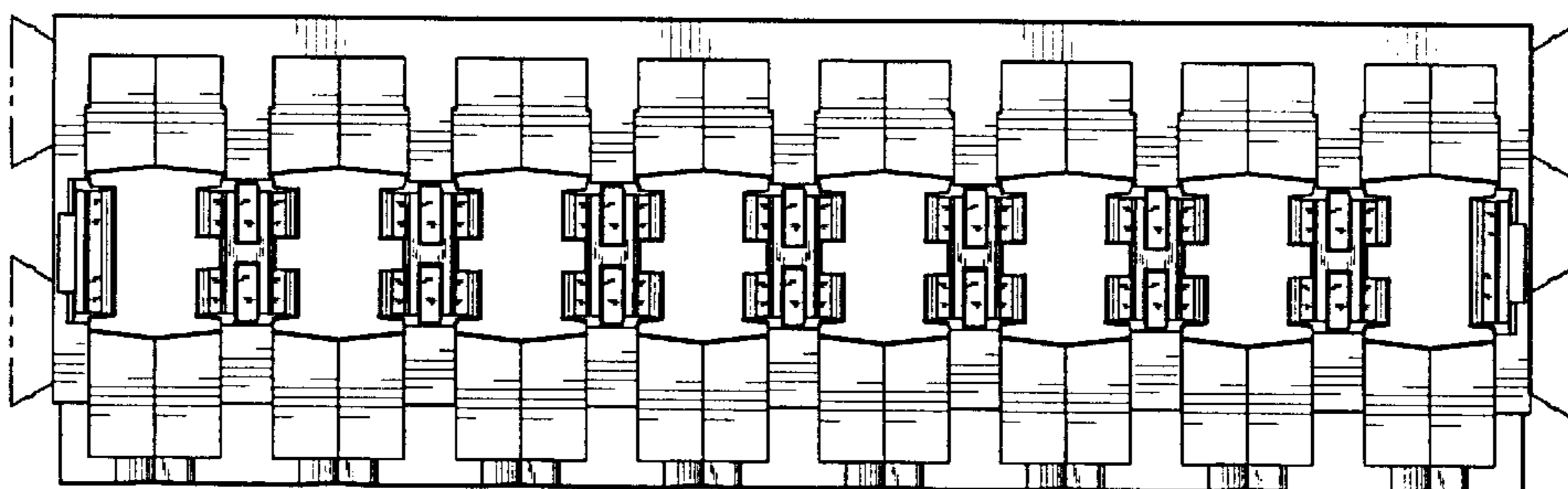


Fig-2

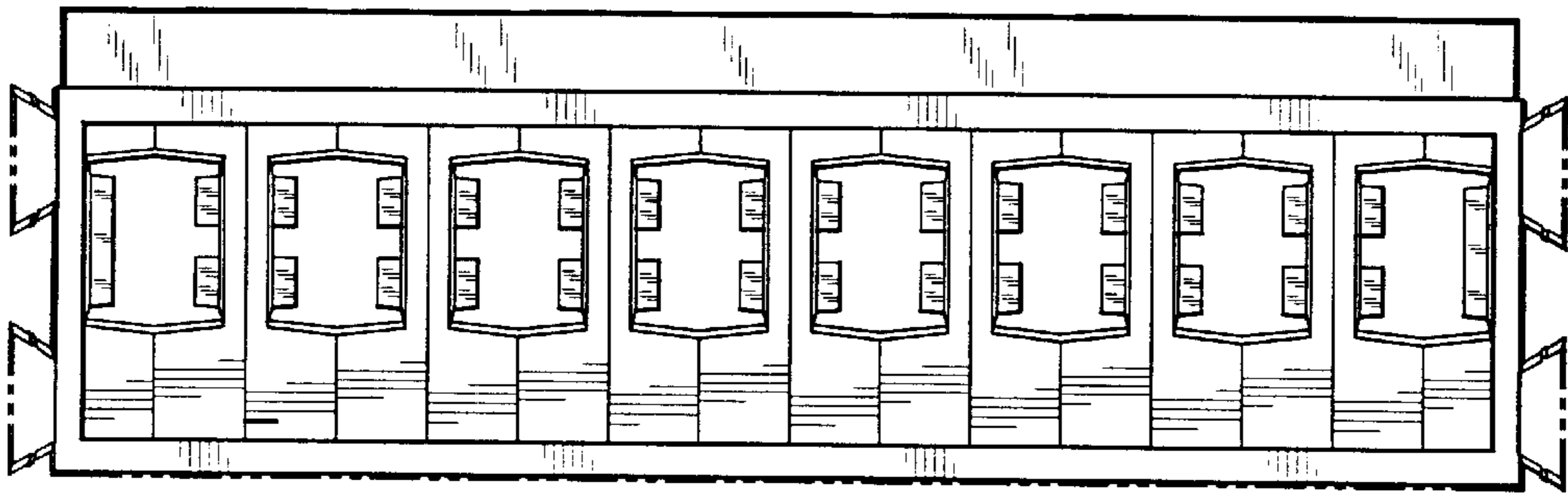


Fig-3

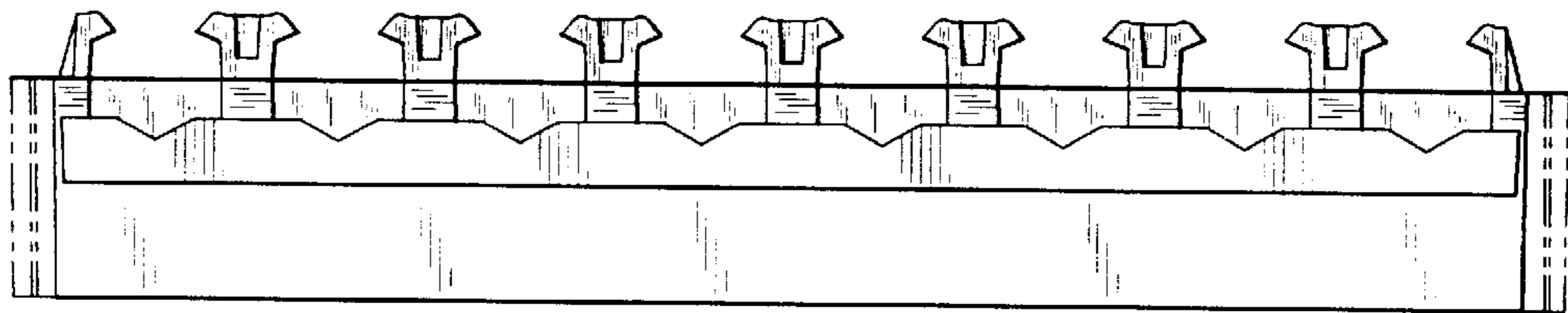


Fig-4

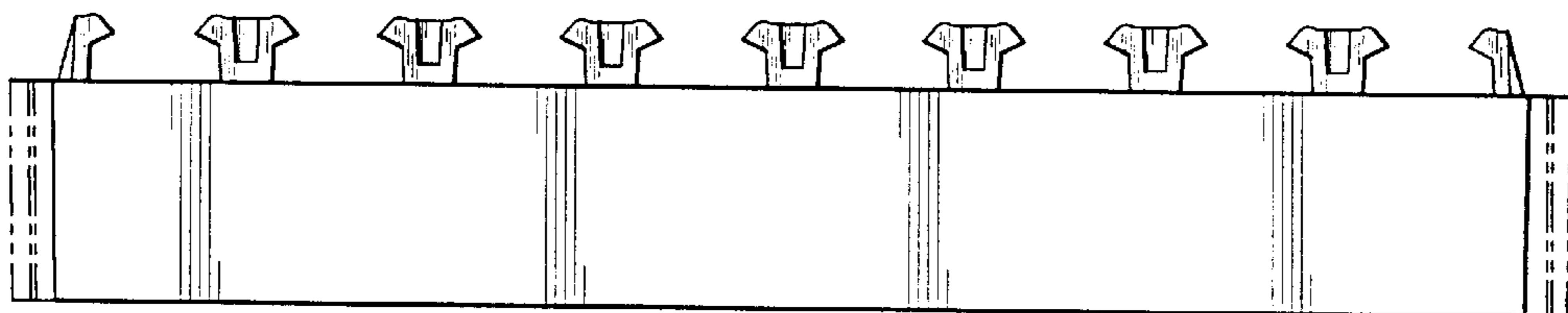


Fig-5

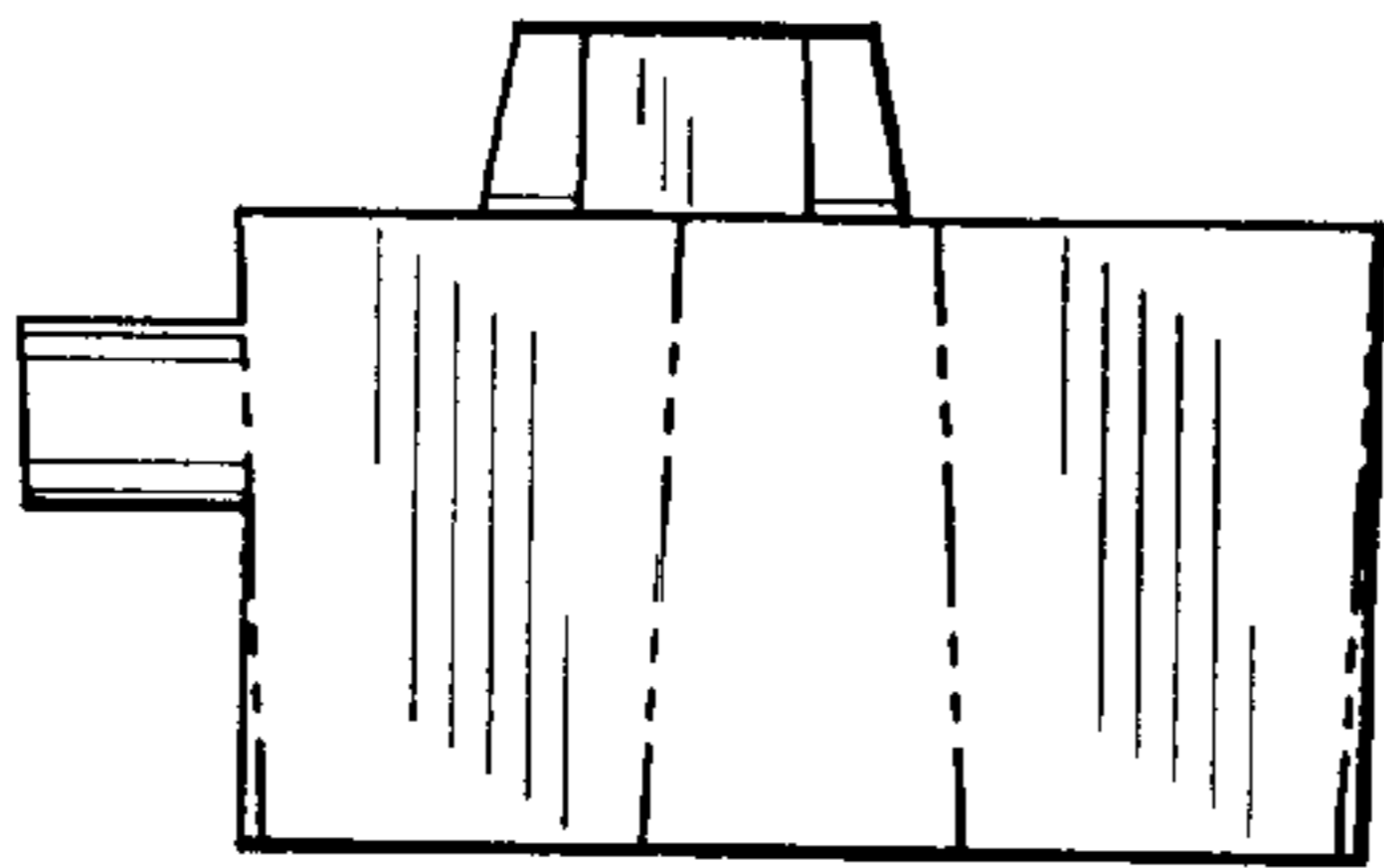


Fig-6

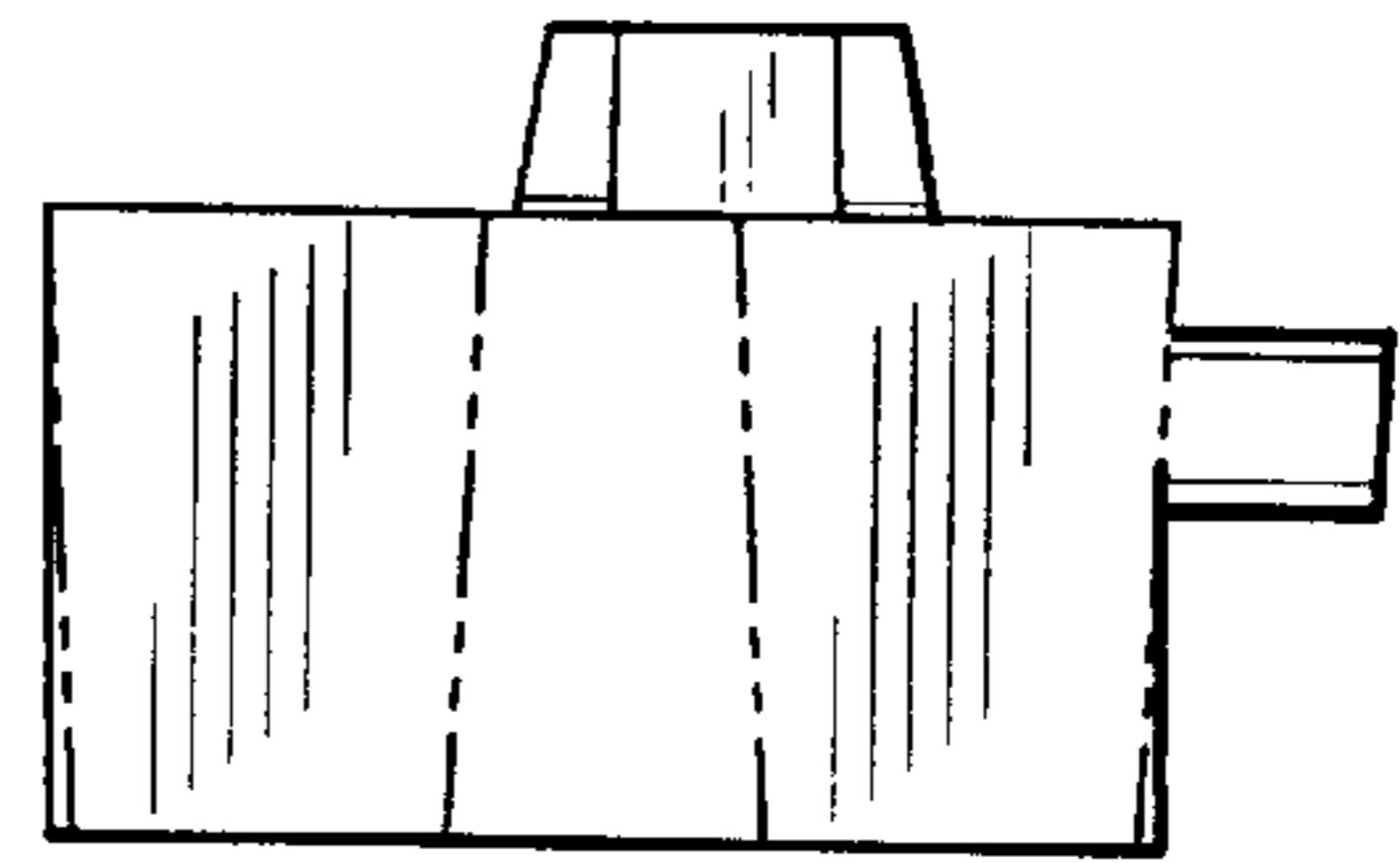


Fig-7